

Vino Pins wood installations

Vino Pins (VP; without collars) Installation Instructions for wood surfaces

Starter Kit Included Parts

- (1) Vino Pins Neck
- (1) Vino Pins Base
- (2) Machine/Lag Stud
- (1) Hex Key

Required Tools

- Level
- 2x10mm or adjustable wrenches
- Drill
- 5/32" drill bit (4mm)

Important Note: These installation instructions are attaching Vino Pins to solid wood/plywood surface with a minimum thickness of 1/2" (12.7mm). For drywall installations, please order Vino Pins with Collars.

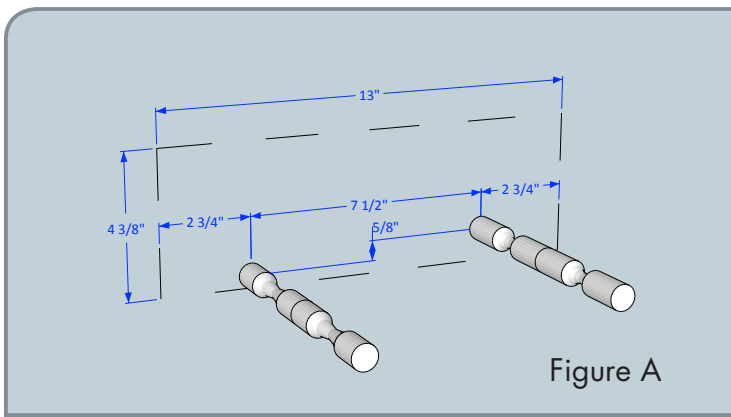


Figure A

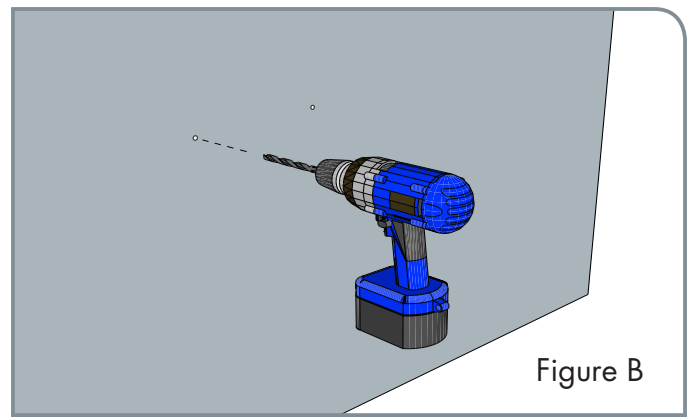


Figure B

1. Mark the mounting hole locations

Use a level to ensure the printed template is horizontal along the long edge and mark the hole locations by piercing the template with a sharp object, like a screw, at the center the two marks corresponding with the bottle direction chosen (Figure C).

Pro Tip: For Magnum bottles (1.5L) increase the horizontal distance between the neck and base Pins by 1" to 8 1/2" (216mm).

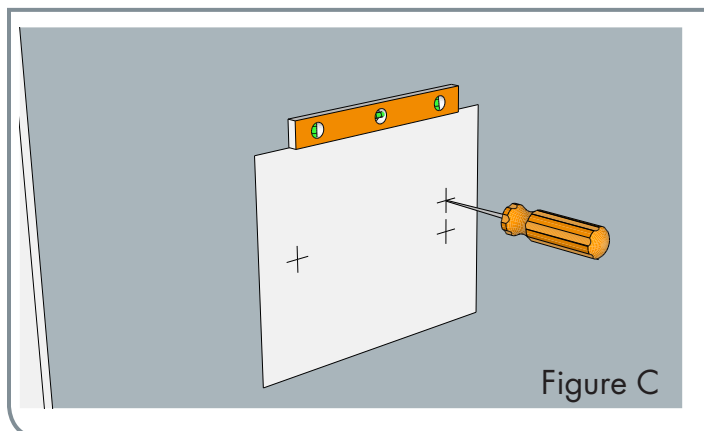


Figure C

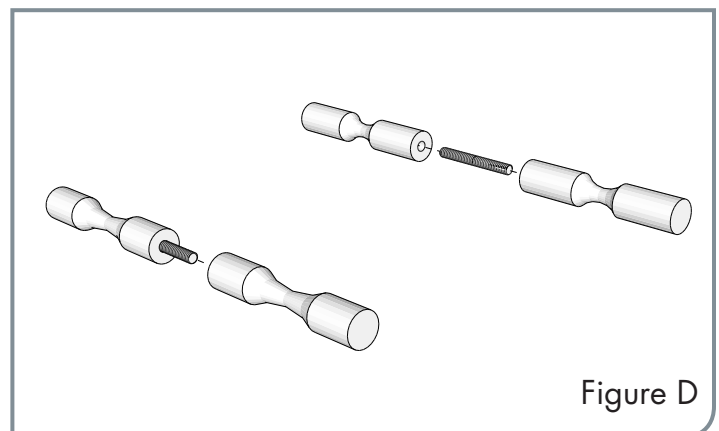


Figure D

Instructions: wood installations

3. Assemble Vino Pins

If using Vino Pins extensions (sold separately), thread a stud into one end of the base extension Pin and screw the starter base Pin onto the remaining exposed end and firmly hand tighten (Figure D, first page). Connect any additional extensions (up to three total bottles deep for 750ml bottles; up to two bottles deep for magnum configurations) in a similar fashion and repeat this process for the neck pins.

*For acrylic pins, carefully remove the protective film from using your fingernail. Use of any tools or blades may scratch the racks.

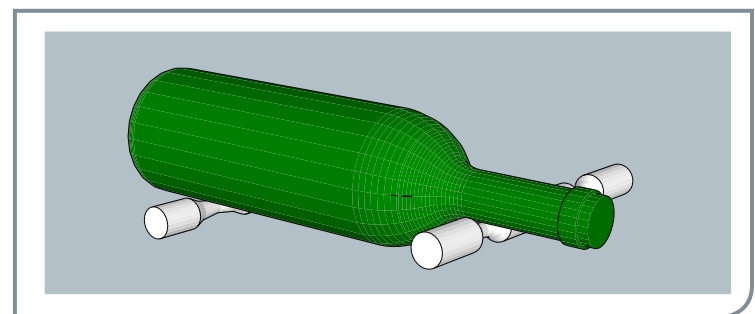
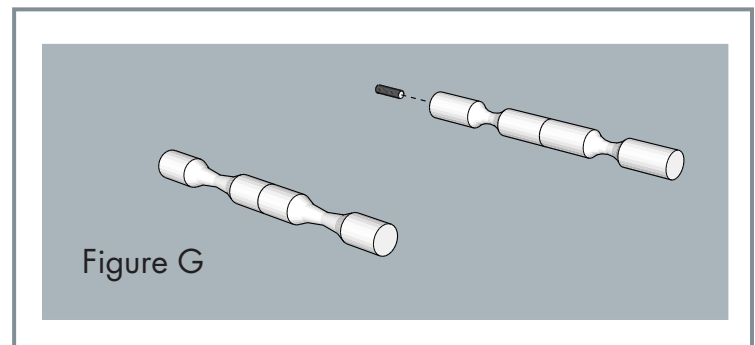
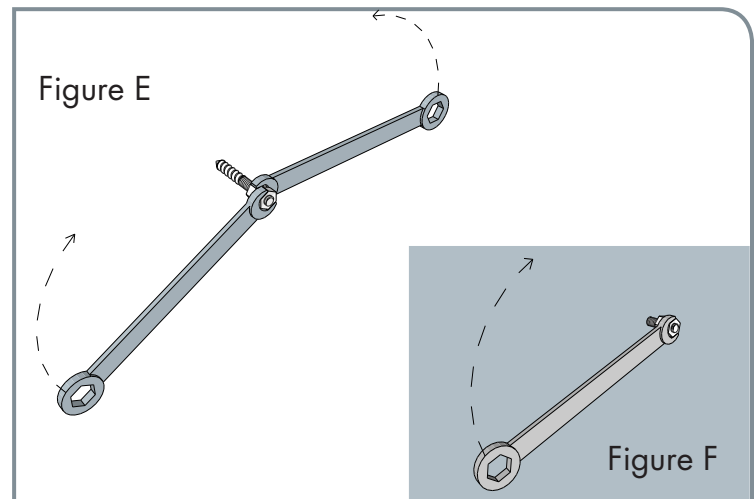
4. Install Wood Studs

Using either the provided hex key or optional M6 drill bit, drive the wood lag into the pilot holes until the coarse threads are no longer visible. If using a hex key and the wood is too knotty or hard to drive the wood lag, use the provided nuts as follows:

Thread the 2 nuts onto the fine threaded end of each wood lag. Using two 10mm wrenches, tighten the nuts against one another, essentially creating a screw head (Figure F). Then use one wrench on the outer nut and screw the wood lag into the pilot holes until coarse threads are not visible.

5. Connect Vino Pins

Thread the assembled Vino Pins or the Vino Pins starter onto the studs extending from the wall, ensuring that the base side is secured to the lower stud and the neck pin attached to the higher stud and firmly tighten (Figure G).



6. Add Wine

Only the good stuff

Additional Notes:

All installations into drywall require the use of collars and alternate fasteners to properly support the Vino Pins. Any application outside of these parameters is not warranted by VintageView and may result in product and/or installation failure, property damage and/or bodily injury.

Maintenance and Care:

Vino Pins should be regularly checked for tightness. Should any pin to be found to be loose, tighten until secure. If the face of the wall surface shows signs of breakage, discontinue use immediately until the wall is repaired. Clean Vino Pins with a damp cloth and mild dish soap — avoid abrasive pads or steel wool as they will damage the finished surfaces of the parts.

Vino Pins drywall installations

Vino Pins (VPC; with collars) Installation Instructions

Starter Kit Included Parts

- (1) Vino Pins Neck
- (1) Vino Pins Base
- (2) Vino Pins Collars
- (2) Toggle Bolts
- (2) Machine/Lag Stud
- (1) Hex Key

Required Tools

- Level
- 2x10mm or adjustable wrenches
- Drill
- 5/32" drill bit (4mm)
- 5/8" drill bit (16mm)

Important Note: These installation instructions are only for attaching Vino Pins to drywall or solid wood/plywood surface with a minimum thickness of 1/2" (12.7mm).

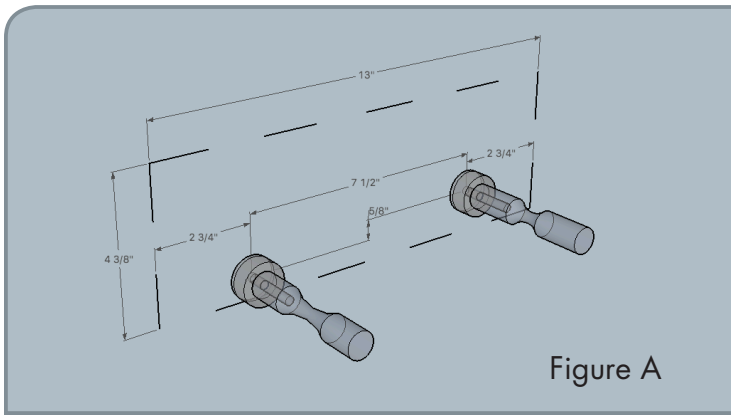


Figure A

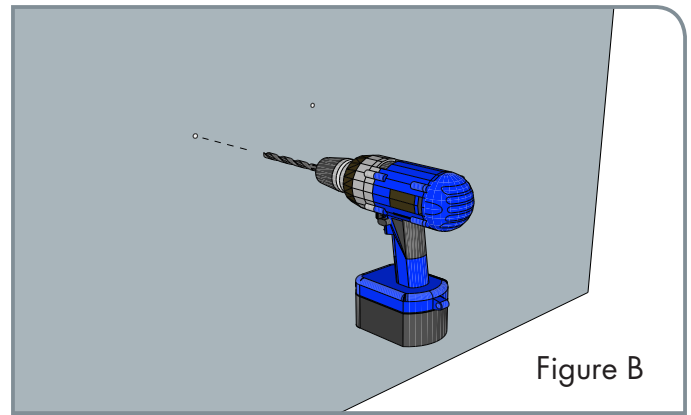


Figure B

1. Mark the mounting hole locations

Use a level to ensure the printed template is horizontal along the long edge and mark the hole locations by piercing the template with awl or a screw at the center the two marks corresponding with the bottle direction chosen.

Pro Tip: For Magnum bottles (1.5L) increase the horizontal distance between the neck and base Pins by 1" to 8 1/2" (216mm).

2. Drill mounting holes

Using the smaller drill bit, drill a pilot hole to determine if drywall or wood hardware is needed for installation. If the surface is determined to be wood, drill remaining pilot holes at the marked locations and move to step 3b. If it is determined to be drywall, use the 5/8" drill bit to drill holes in marked locations

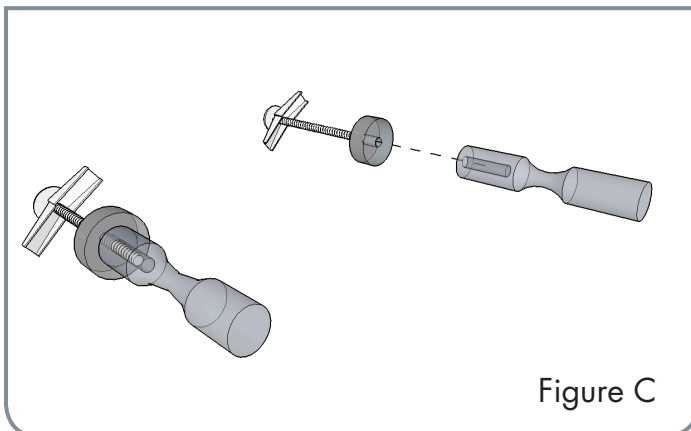


Figure C

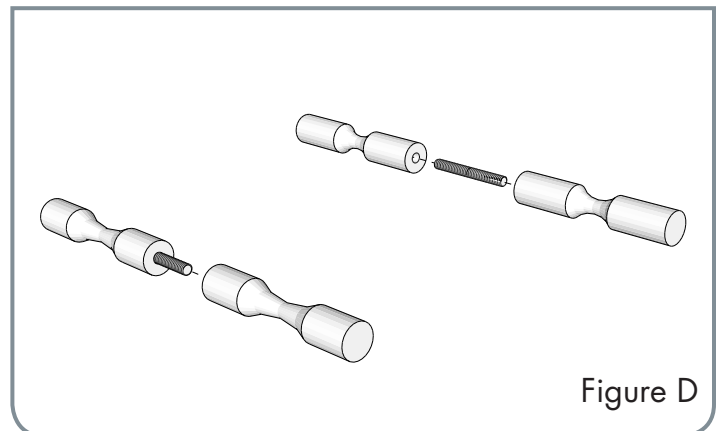


Figure D

Instructions: drywall installations

3. Assemble Vino Pins

If using Vino Pins extensions (sold separately), thread a stud into one end of the base extension Pin and screw the starter base Pin onto the remaining exposed end and firmly hand tighten (Figure D, first page). Connect any additional extensions (up to three total bottles deep for 750ml bottles; up to two bottles deep for magnum configurations) in a similar fashion and repeat this process for the neck pins.

*For acrylic pins, carefully remove the protective film from using your fingernail. Use of any tools or blades may scratch the racks.

4a. Install Vino Pins (drywall)

Disassemble provided toggle bolts, removing each expanding nut. Insert the bolt through the mounting hole on the wall bracket. With the wings of the expanding bolt oriented toward the bolt head, thread the nut onto the bolt until it begins to protrude from the nut by $\frac{1}{2}$ ".

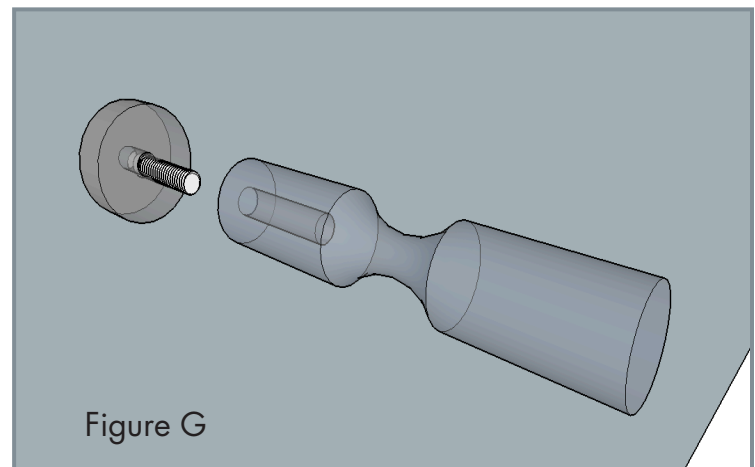
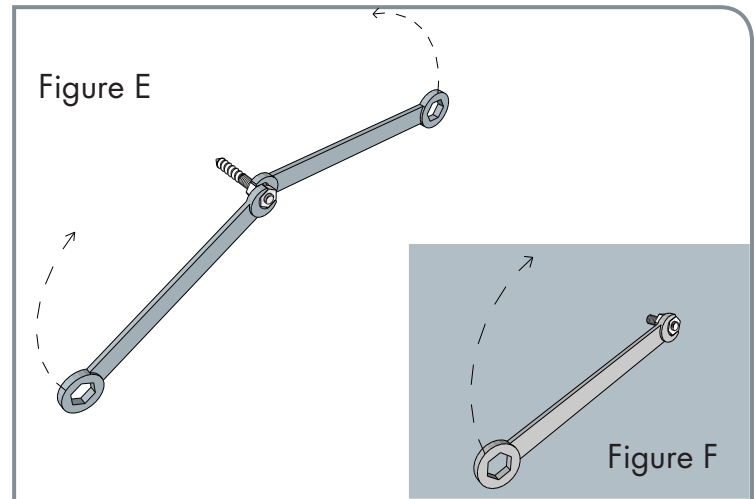
Slide the collar on the bolt (for Acrylic pins, ensure the mirrored side faces the Pin). Then, thread the Vino Pins onto the toggle bolt. Push the head of the bolt through the drywall until the Vino Pin collar is flush against the wall surface. Ensure that both wings of the nut have fully expanded on the back side of the wall and gently pull back on the Vino Pin to hold the wings of the expanding nut against the back side of the drywall. Screw the Vino Pin clockwise and hand-tighten in place. Repeat the process for the neck pin the higher anchor hole.

4b. Install Vino Pins (wood)

Using either the provided hex key or optional M6 drill bit, drive the wood lag into the pilot holes until the coarse threads are no longer visible. If using a hex key and the wood is too knotty or hard to drive the wood lag, use the provided nuts as follows:

Maintenance and Care:

Vino Pins should be regularly checked for tightness. Should any pin to be found to be loose, tighten until secure. If the face of the wall surface shows signs of breakage, discontinue use immediately until the wall is repaired. Clean Vino Pins with a damp cloth and mild dish soap — avoid abrasive pads or steel wool as they will damage the finished surfaces of the parts.



Thread the 2 nuts provided onto the fine threaded end of each wood lag. Using two 10mm wrenches, tighten the nuts against one another, essentially creating a screw head. Then use one wrench on the outer nut and screw the wood lag into the pilot holes until the coarse threads are no longer visible.

Slide a collar over the stud protruding from the wall and thread a Vino Pin onto the stud extending from the wall and firmly hand tighten.

5. Add Wine

Only the good stuff