

# Assembly Instructions

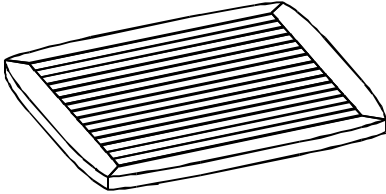
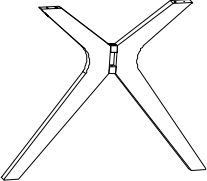
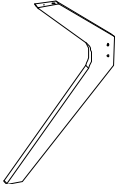
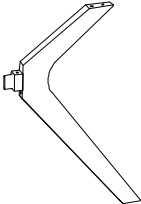
**Caution : You must read this before you proceed.**

## **TABLE**


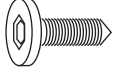
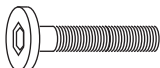

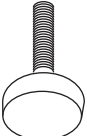


**Caution:** This Table is NOT a TOY  
Keep your child/ children at bay during the assembly process.  
Whenever moving/lifting the Table and to prevent damage to the Table, two adults are needed to execute these actions.

# Parts List

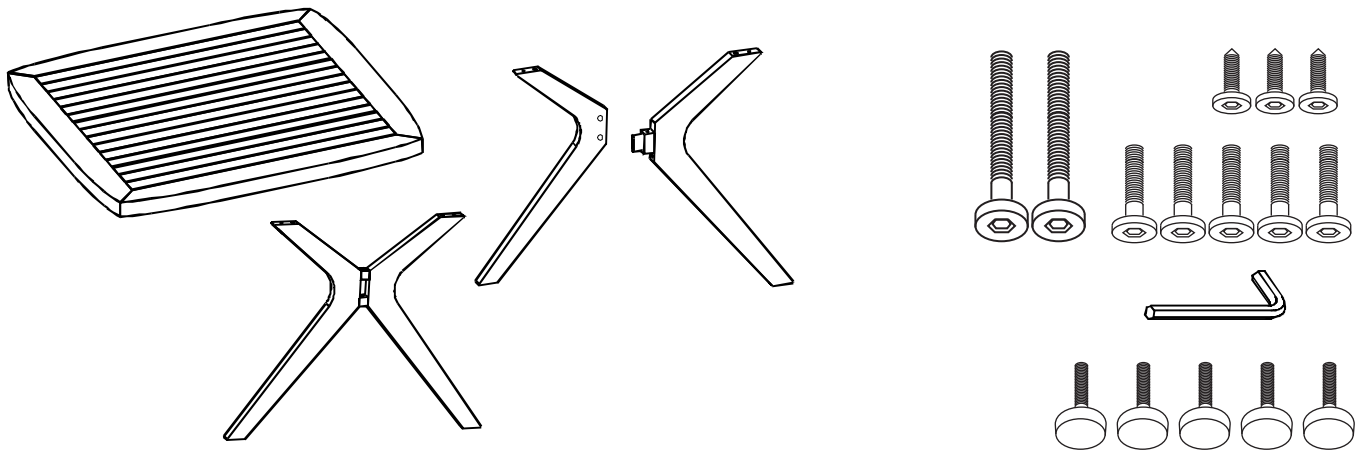
Label	Picture	Description	QTY
A		Table Top	1
B		First Leg Frame	1
C		Second Leg Frame	1
D		Third Leg Frame	1






# Hardware

Label	Picture	Description	QTY
①		Long Bolt (M6x100 mm)	2
②		Screw (M6x20mm)	3
③		Short Bolt (M8x35 mm)	5
④		Allen Key	1
⑤		Leveler (M8X20mm)	5

# Assembly Preparation

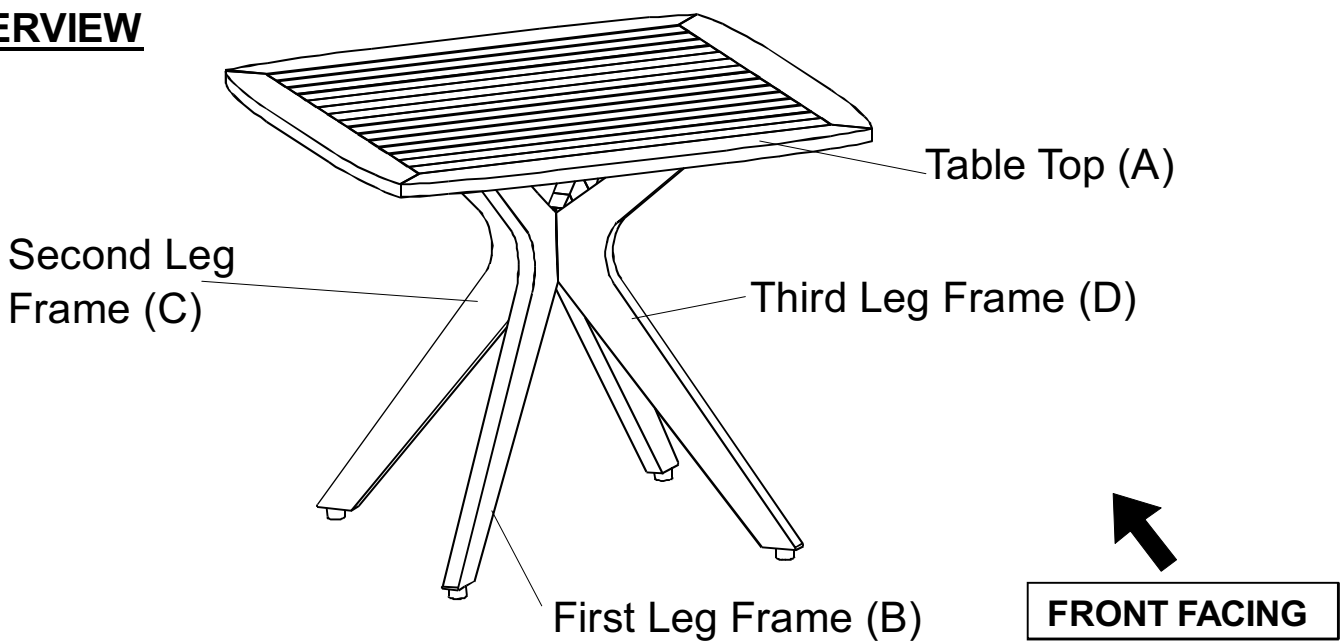
Before Beginning Assembly:



-  • Read instructions, cover to cover-
-  • Have 2 adults on hand for assembly-
-  • Do not assemble on flooring or carpet-
-  • Assemble on a clean non-marring surface (packing foam)-
-  • Save all packaging until finished-

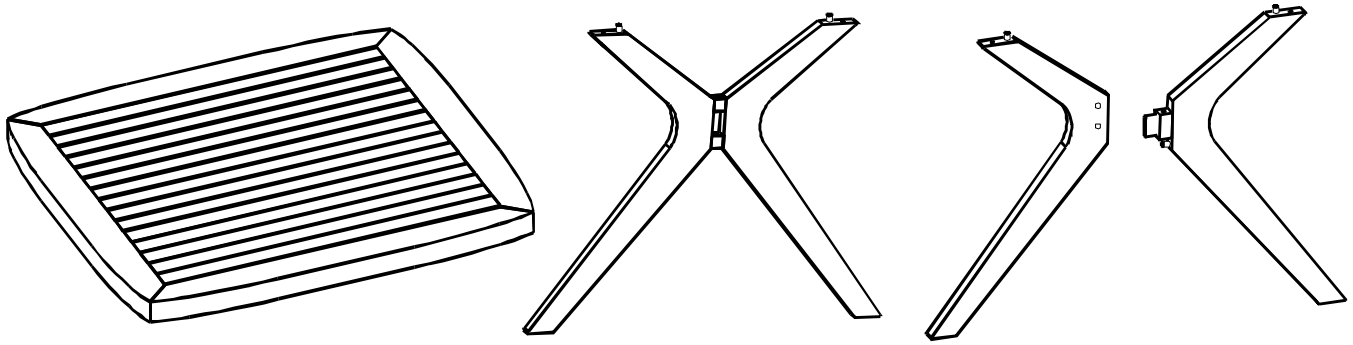
# Assembly Steps

## OVERVIEW



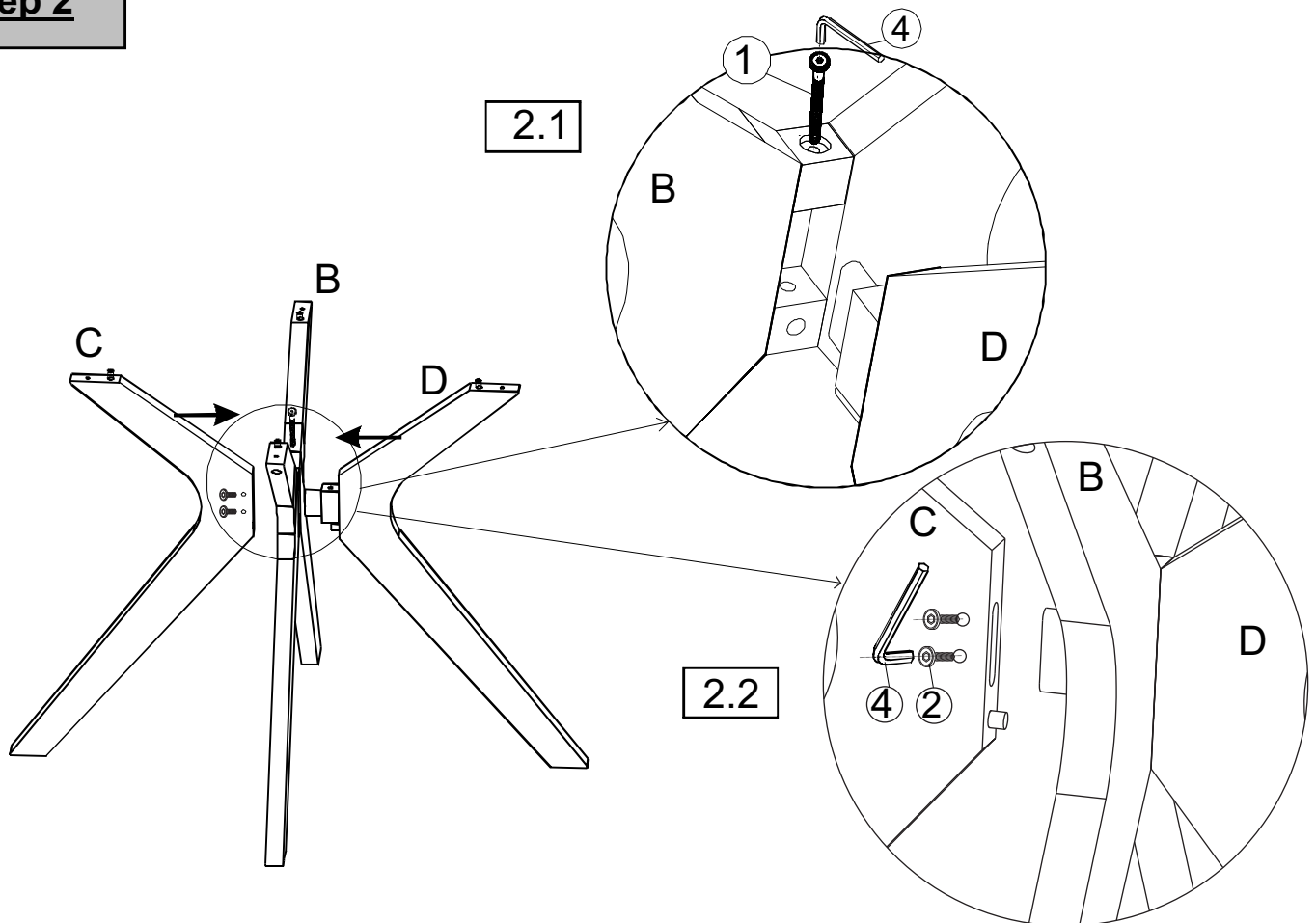
This Table has multiple parts and may require up to 30 minutes to assemble. To give you an overview of the Table parts, the above picture is to help you put the various parts into perspective. Please read through the instructions below to familiarise yourself with the parts and steps before assembly.

## Step 1



Unpack and place all parts on a clean, non-marring surface.

## Step 2



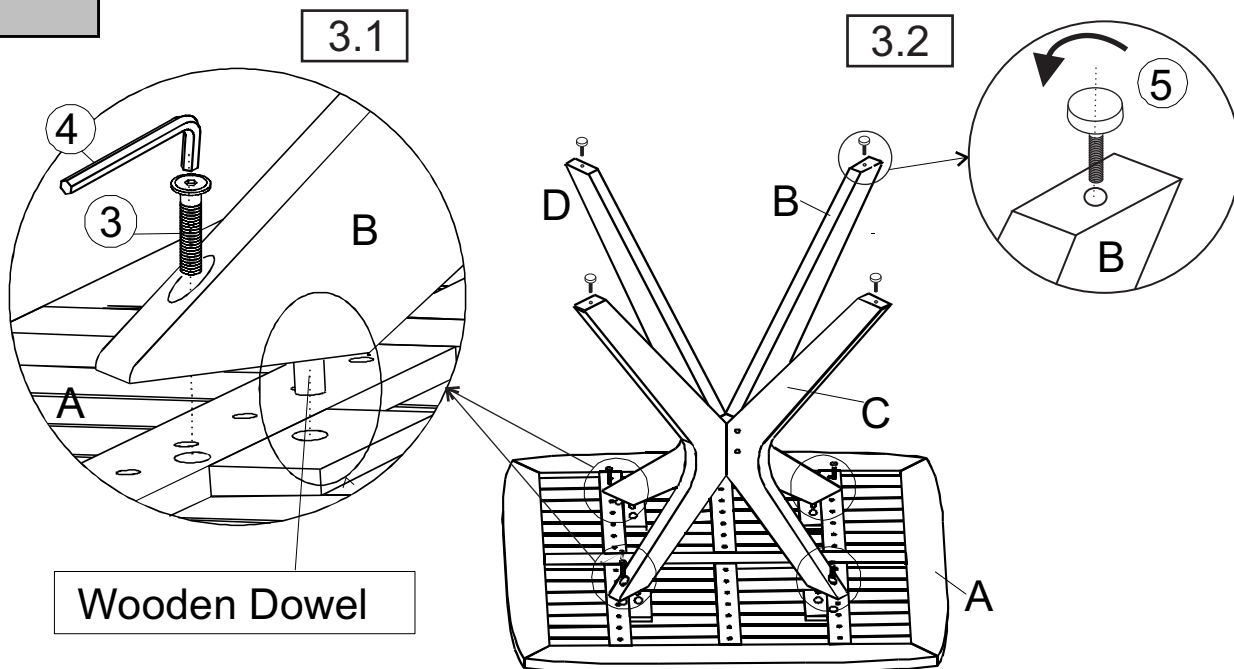
**2.1)** Insert Third Leg Frame (D) into First Leg Frame (B) as pictured. Attach Third Leg Frame (D) into First Leg Frame (B) by using Bolt (①) with Allen Key (④).

**2.2)** Insert Second Leg Frame (C) into First Leg Frame (B) and Third Leg Frame (D).

Attach Second Leg Frame (C) to First Leg Frame (B) and Third Leg Frame (D) by using 2 Screws (②) with Allen Key (④).

**Tighten the Bolt and Screws fully in a sequential manner.**

### Step 3



**3.1)** Place Table Top (A) facedown onto a clean, non-marring surface to avoid any scratches or damage to the product.

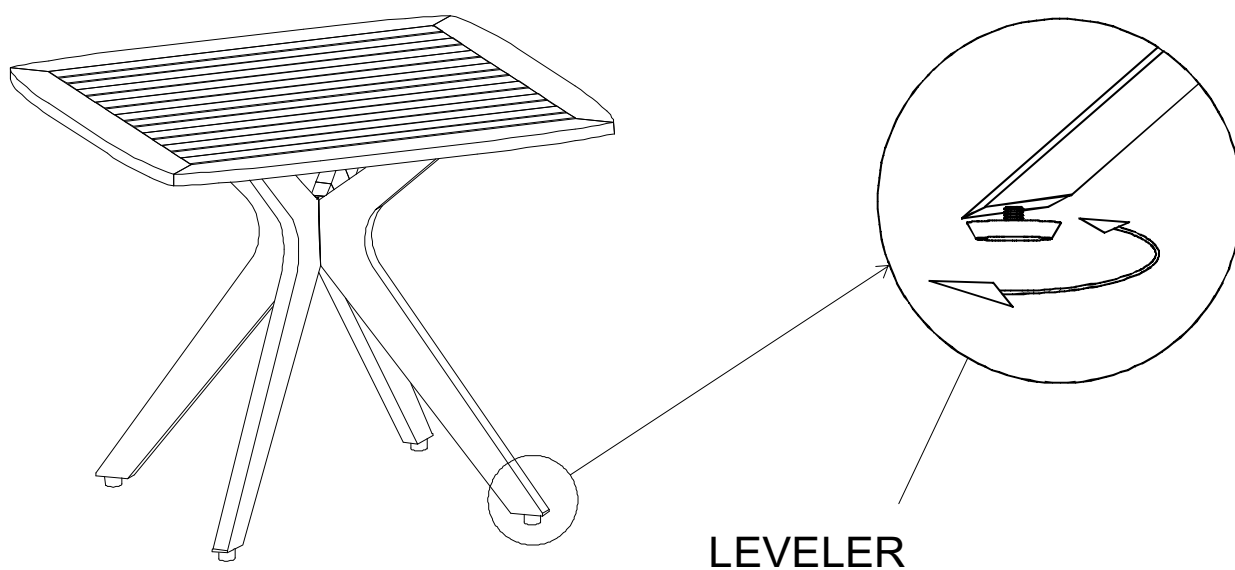
Position the Leg Frame onto Table Top (A) inserting Dowels on Leg Frame into Housings on Table Top (A).

Attach Leg Frame to Table Top (A) by using Bolts (③) with Allen Key (④).

**3.2)** Attach Levelers (⑤) with the Legs, use hand rotate direction of the arrow.

**Tighten the Bolts fully in a sequential manner.**

### Step 4












Turn the Table over, with assistance from your partner.

**Adjust Levelers and the bottom of the Legs if the Table wobbles.**

Your Table is ready for use.

**This Table can only be used on a flat, level surface.**

## Care & Maintenance

- ⊗  ● Do not put hot items directly on furniture surface.
  - ⊗  ● Do not clean furniture with harsh cleansers or polish.
  - ✓  ● To obtain the longest lifespan of your outdoor products, minimizing exposure to direct sunlight is recommended.
  - ⊗  ● Children should not climb or jump on the furniture.
  - ⊗  ● Do not write on furniture without a padded barrier to protect the surface.
  - ✓  ● To obtain the longest lifespan of your outdoor products, avoid extended and lengthy exposure to rain, snow, and direct sunshine. Whenever possible cover the product and /or place under patio or awnings.
  - ⊗  ● Not for commercial use. For residential use only.
  - ⊗  ● Stains may be removed with mild soap solution and damp cloth.
  - ✓  ● Dust and pick-up spills using a clean, non-colored, lint-free cloth .
-