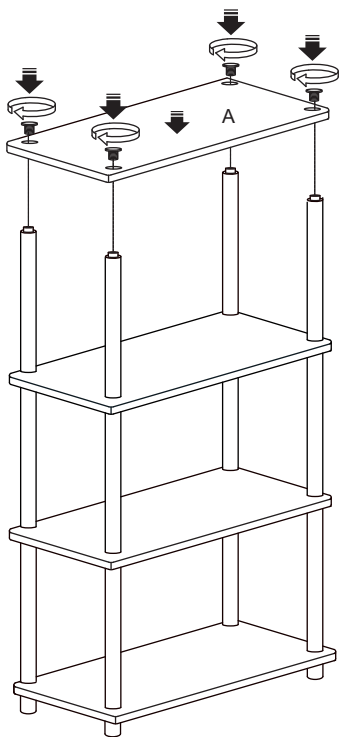


STEP 2

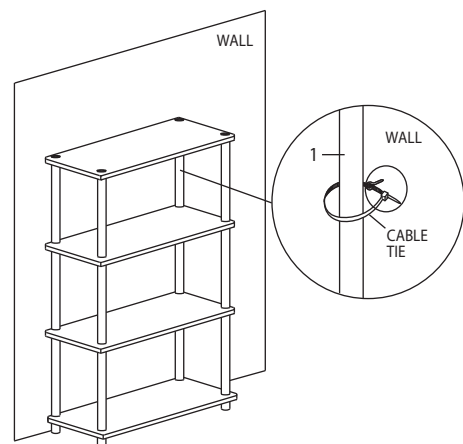
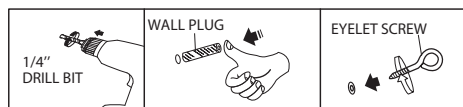
Fix Top Cap (2) on top of the Shelf Panel (A), as shown.



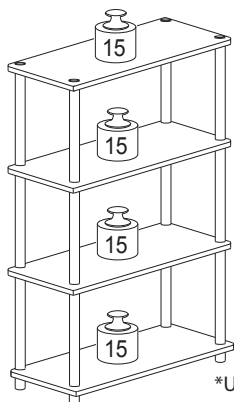
STEP 3

If necessary, please follow instruction below to prevent product tip over.

| HARDWARE PARTS LIST | | | QTY |
|---|---|---|-------|
|  |  |  | 1 SET |



Recommended Maximum Weight



*Unit in Pound(lbs)

WARNING:

>This unit has been designed to support the maximum loads shown. Exceeding these load limits could cause sagging, instability, product collapse, and/or serious injury.

>DO NOT allow children to climb on unit.

>Put heavier items on lower shelves.

Assembly Instruction

4-Tier Multipurpose
Shelf Display Rack

DIMENSION : 23.6"(W) x 43.3"(H) x 11.6"(D)

00:15

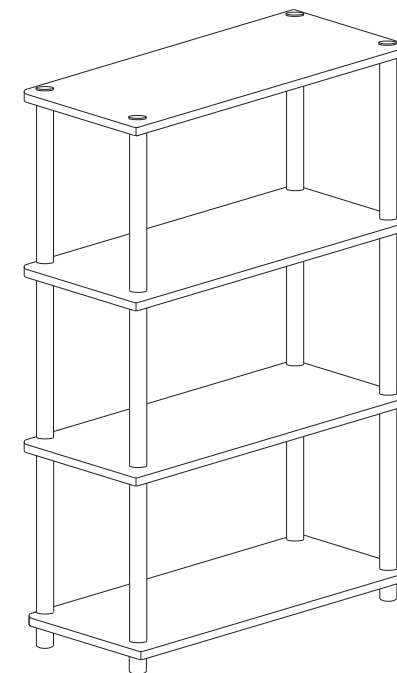
Approx. 15 minutes

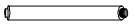





Recomm. 1 Person

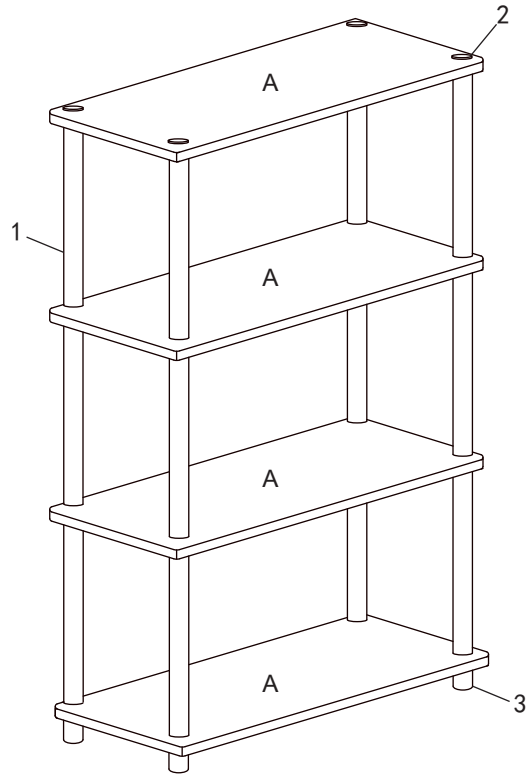


No Tools Required



| No | Hardware List | Qty |
|----|---|-------|
| 1 | Long Pole  | 12pcs |
| 2 | Top Cap  | 4pcs |
| 3 | Round Leg  | 4pcs |

| No | Parts List | Qty |
|----|---|------|
| A | Shelf Panel  | 4pcs |



USEFUL HINTS BEFORE YOU START:

1. Read each step carefully before starting.
2. It is important that each step is performed in correct order to avoid difficulties.
3. Identify, sort and count the parts before assembly.
4. Assemble your furniture on packaging cardboard to prevent scratch or damage.
5. Clean the product with mild cleanser using soft damped cloth. Do not use harsh or abrasive cleanser.
6. Using incompatible hardware might cause damage to product.

STEP 1

- 1.1 Attach Round Leg(3) to the bottom of Shelf Panel (A).
- 1.2 Attach Long Pole(1) and Shelf Panel (A) as shown.

