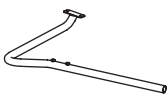

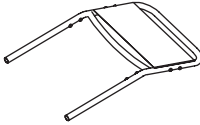
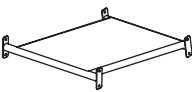

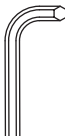
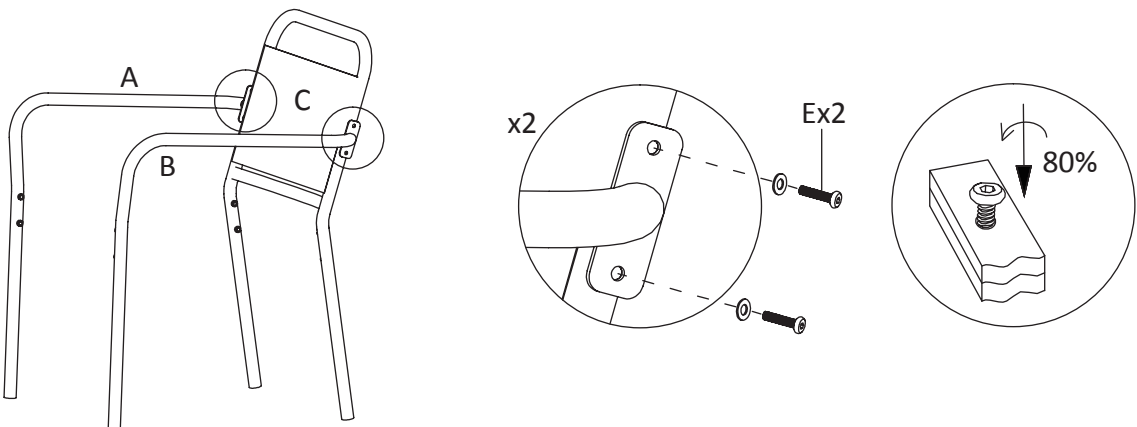
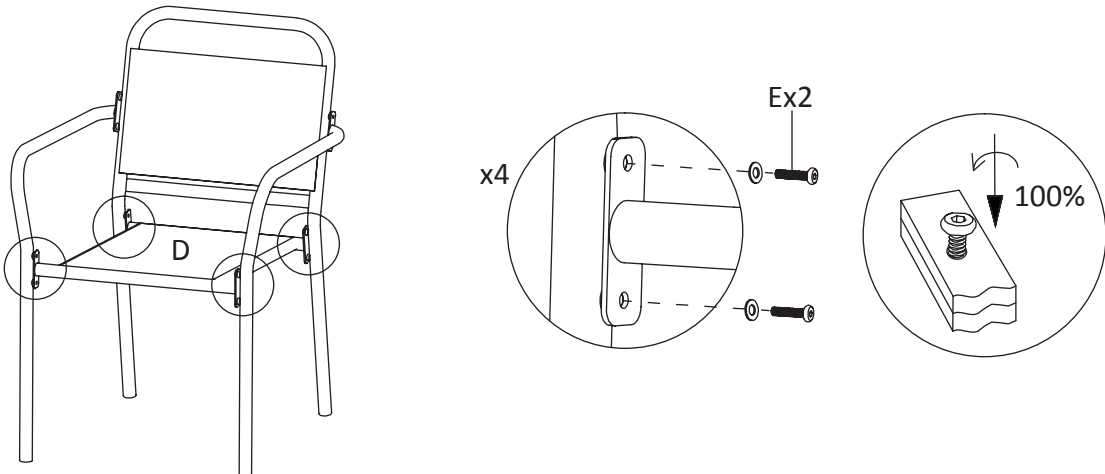


<p>Ax1</p> 	<p>Bx1</p> 	<p>Cx1</p> 	<p>Dx1</p> 	<p>Ex12</p>  <p>M6x $\frac{15}{0.6}$</p>	
--	--	--	---	--	---

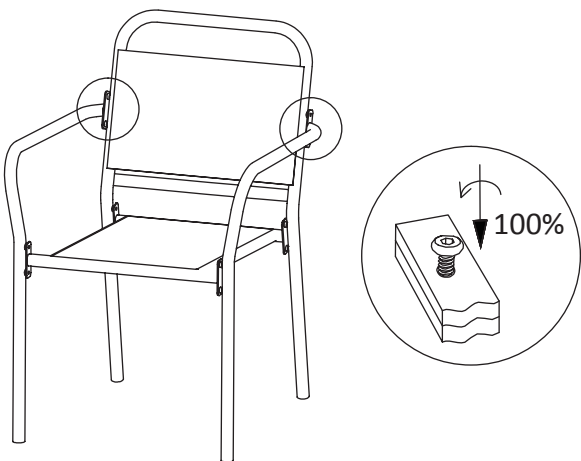
1



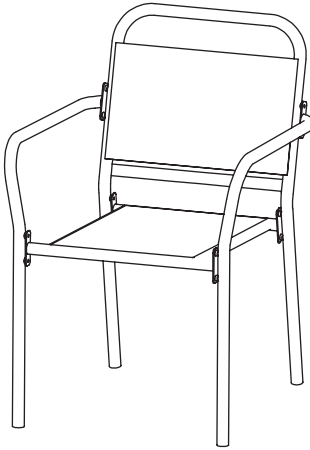
2

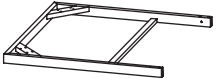

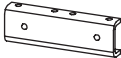
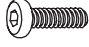


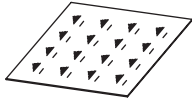

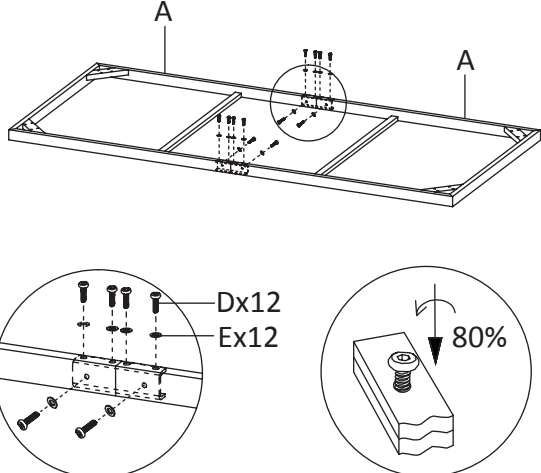
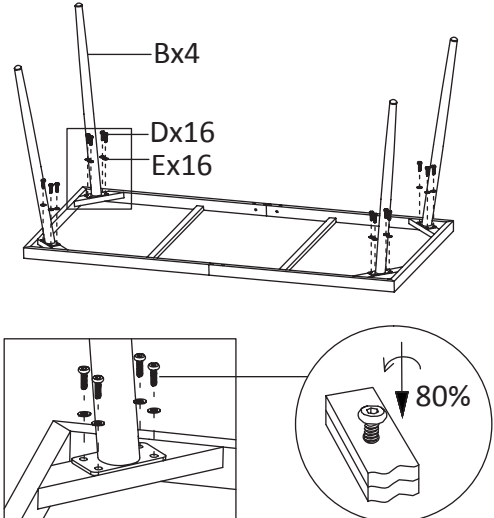
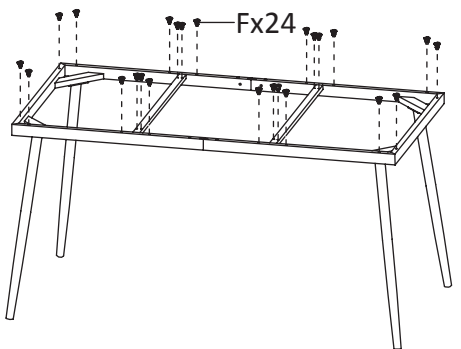
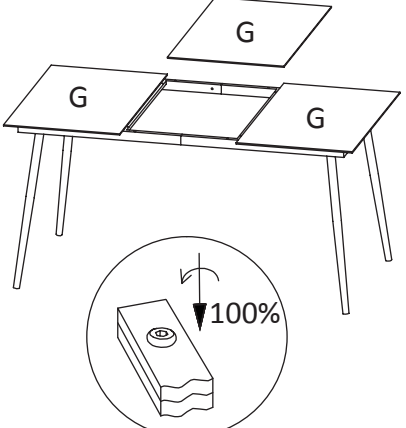


3



4



<p>Ax2</p> 	<p>Bx4</p> 	<p>Cx2</p> 	<p>Dx28</p>  <p>M6x $\frac{15}{0.6}$</p>
<p>Ex28</p> 	<p>Fx24</p> 	<p>Gx3</p> 	
<p>1</p> 		<p>2</p> 	
<p>3</p> 		<p>4</p> 	
<p>5</p> 