

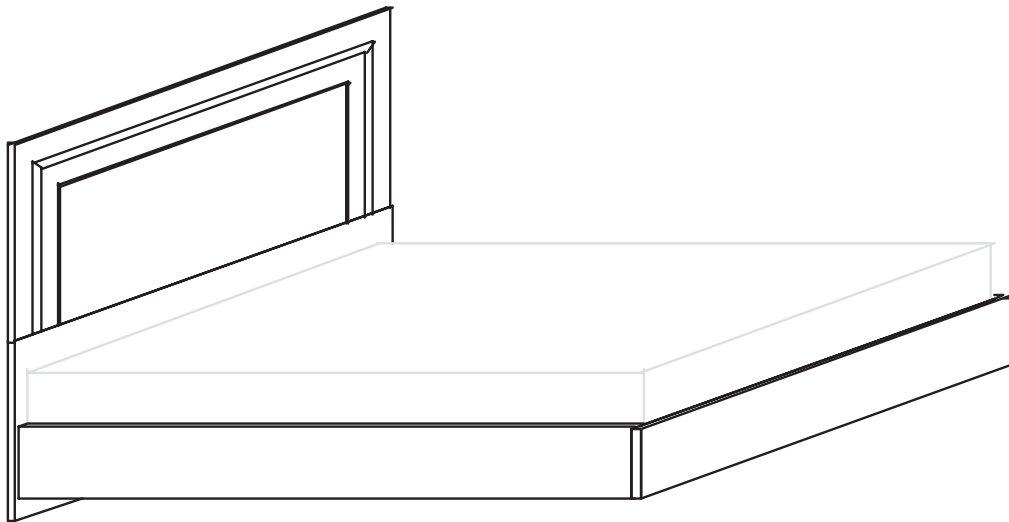


MADE IN ITALY



# NOBLE BED

## ASSEMBLY INSTRUCTIONS



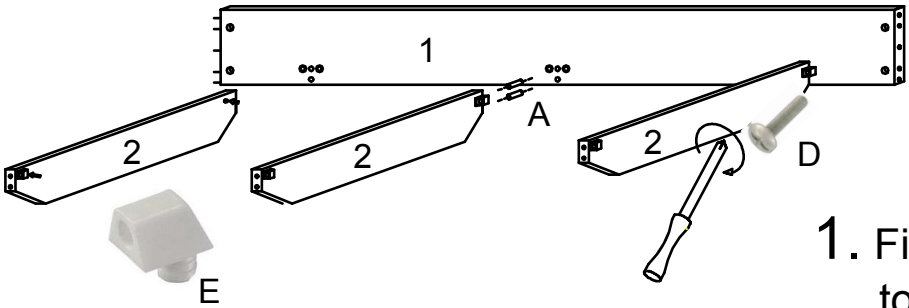
IMPORTANT  
ASSEMBLING THIS  
UNIT NEEDS  
MINIMUM 2 PEOPLE



**NO**  
DON'T USE THE DRILL

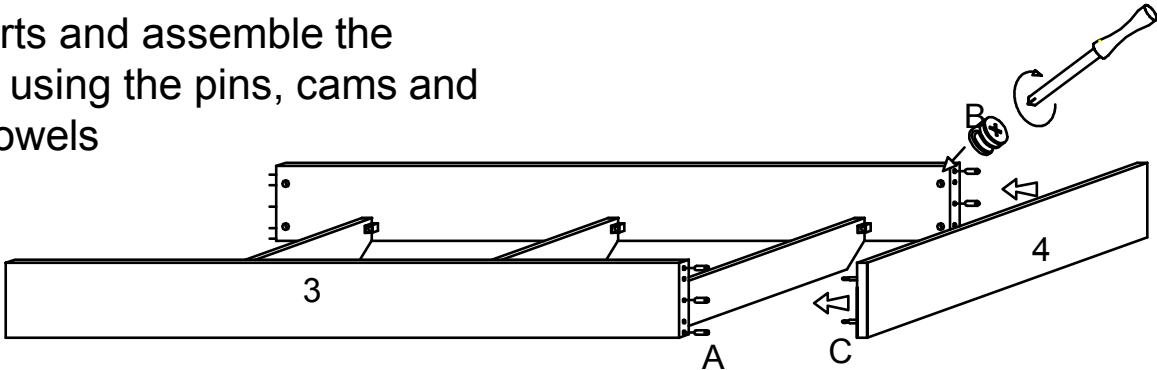
**LEGEND**

1	Side rails
2	Ring / Slat support
3	Side rails
4	Footboard
5	Under headboard
6	Headboard



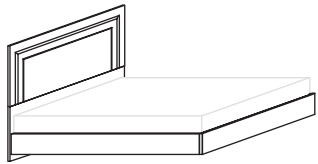
1. Fit the slat supports to the side rail, using the screws 4MA

2. Assemble the other side rail on the slat supports and assemble the footboard, using the pins, cams and wooden dowels



**PARTS CHECKLIST**

A		Wooden dowels (24 pcs)
B		Cams(8 pcs)
C		Pins(8 pcs)
D		Screws TBL 4MA (6 pcs)
E		Cams for TBL 4MA(6 pcs)
F		Screws TBL 6MA (18 pcs)



IMPORTANT  
ASSEMBLING THIS  
UNIT NEEDS  
MINIMUM 2 PEOPLE

**NO**  
DON'T USE THE DRILL

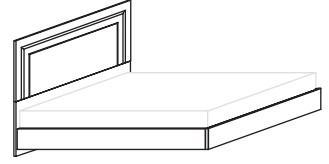
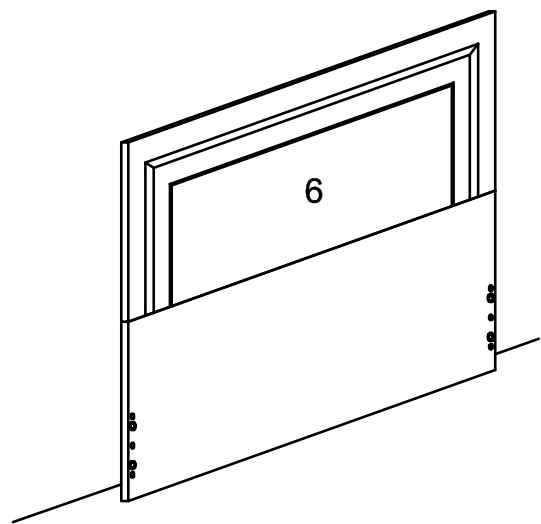
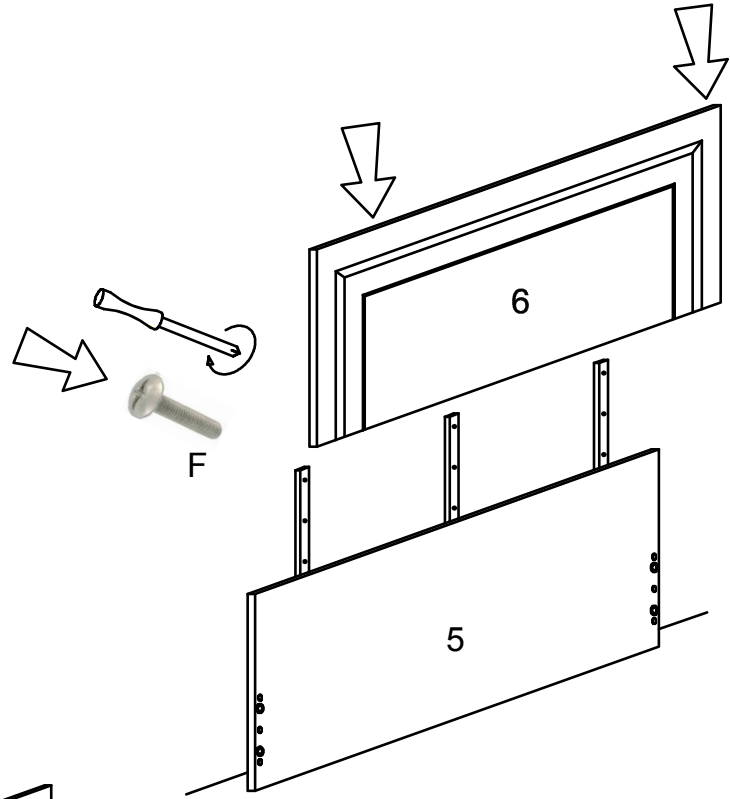
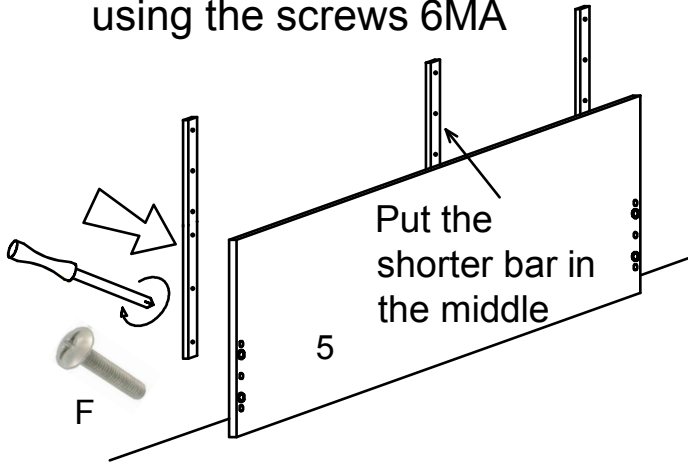
**LEGEND**

1	Side rails
2	Ring / Slat support
3	Side rails
4	Footboard
5	Under headboard
6	Headboard

**PARTS CHECKLIST**

A		Wooden dowels (24 pcs)
B		Cams(8 pcs)
C		Pins(8 pcs)
D		Screws TBL 4MA (6 pcs)
E		Cams for TBL 4MA(6 pcs)
F		Screws TBL 6MA (18 pcs)

3. Fit the iron bars first on the under headboard and then on the hearboard, using the screws 6MA



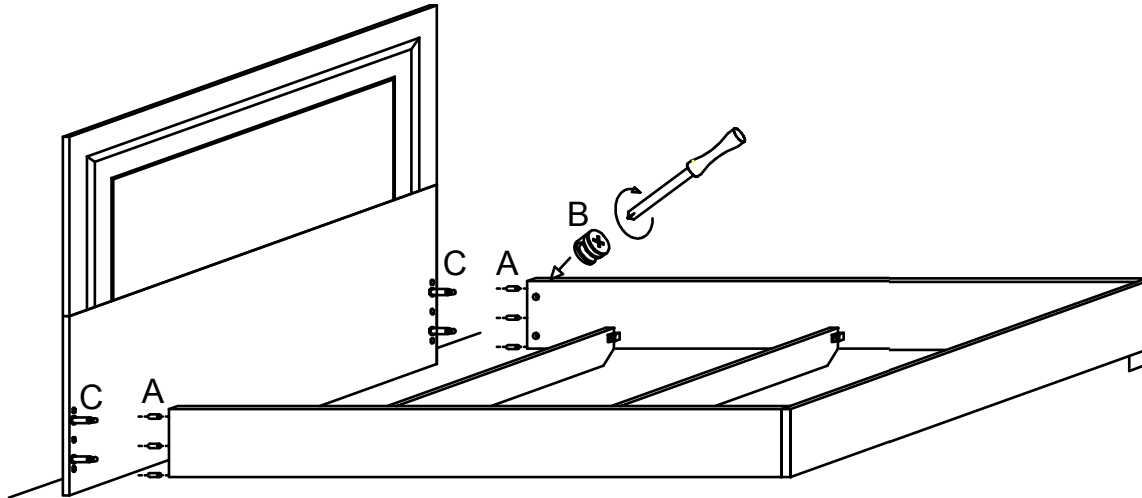
IMPORTANT  
ASSEMBLING THIS  
UNIT NEEDS  
MINIMUM 2 PEOPLE



**NO**  
DON'T USE THE DRILL



4. Assemble the headboard to the side rails. Using the pins, cams and wooden dowels

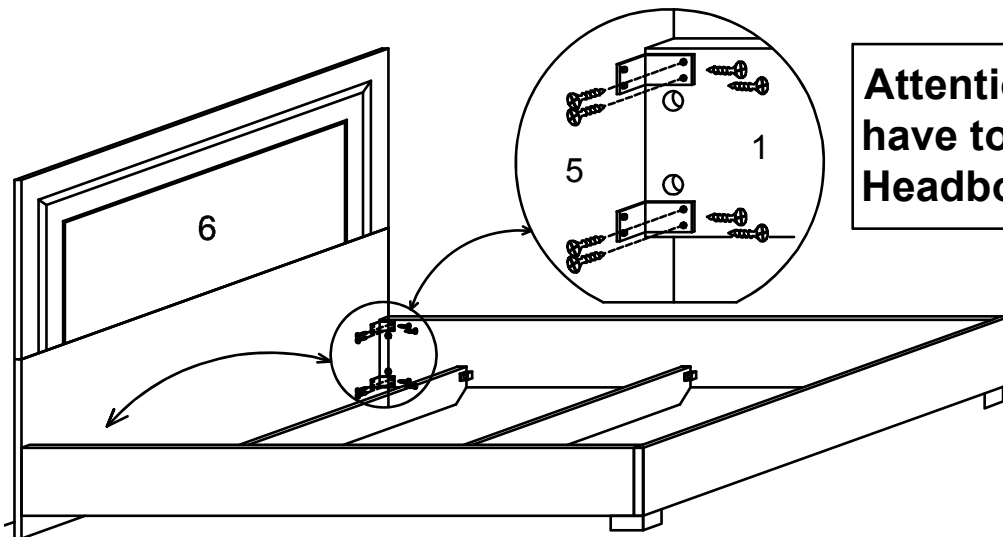


### LEGEND

1	Side rails
2	Ring / Slat support
3	Side rails
4	Footboard
5	Under headboard
6	Headboard

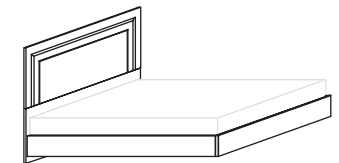
### PARTS CHECKLIST

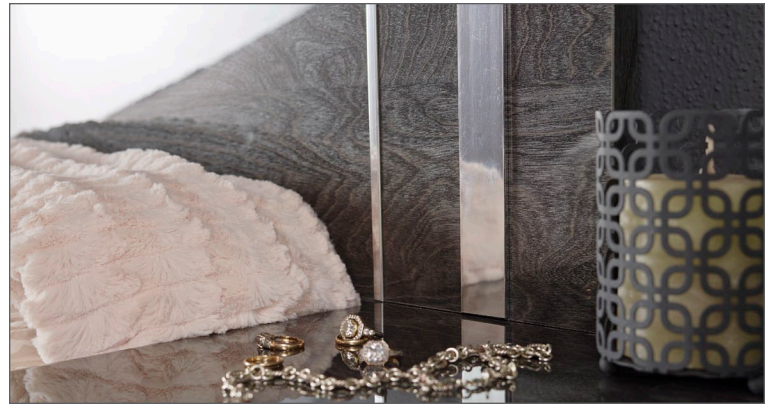
A		Wooden dowels (24 pcs)
B		Cams(8 pcs)
C		Pins(8 pcs)
D		Screws TBL 4MA (6 pcs)
E		Cams for TBL 4MA(6 pcs)
F		Screws TBL 6MA (18 pcs)



**Attention: the iron corners have to be fixed only on the Headboard side**

5. Fit the iron corner on the side rails and to the under headboard, using the screws TSP 4x20





**STAR INTERNATIONAL<sup>TM</sup>**  
 FURNITURE, INC.  
*ESSENTIALS FOR LIVING<sup>®</sup>*

**STAR INTERNATIONAL FURNITURE, INC.**

19511 PAULING, FOOTHILL RANCH, CA 92610 USA

[WWW.STARINTERNATIONALFURNITURE.COM](http://WWW.STARINTERNATIONALFURNITURE.COM)

TEL: 949.858.2100 | FAX: 949.858.2044