



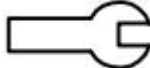



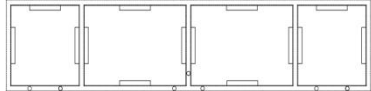
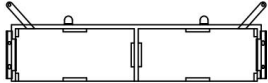

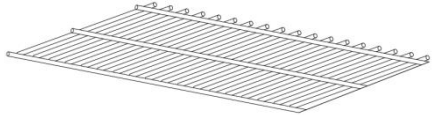






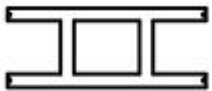








# INSTRUCTION MANUAL

Please check all packing material carefully before discarding, as some parts may be encased in the packing material.

## **Part List**

Part List	Description	Qty.	Drawings
A	Bolt(T1-M5*12)	18	
B	Nut(M6)	20	
C	Bolt(T2-M6*12)	4	
D	Spacer(M6)	4	
E	Allen Wrench	1	
F	Screwdriver	1	
G	Rotary Grill Set Screw	2	
H	Lid Ring	1	
I1	Frame A	2	
I2	Frame B	2	
J	Bowl	1	

K	Log Grate	1	
L	Mesh Lid	1	
M	Fixed Mount	2	
N	Rotate Grill Axel A	1	
O	Rotate Grill Axel B	1	
P	Fixed Fork Claw	2	
Q1	Ladder Frame A	2	
Q2	Ladder Frame B	2	
R	Poker	1	
S	Corner Post	4	
T1	Ceramic tile A	4	
T2	Ceramic tile B	4	
T3	Ceramic tile C	4	
U	Plastic feet	4	



## **Special Warnings**

- Check local bylaws before using the fire pit.
- NOT for use by children. Keep children and pets away from the fire pit.
- Fire pit is hot, use with caution. NEVER touch hot fire pit with bare hands.
- NEVER leave burning fire pit unattended and always extinguish fire completely before leaving the fire pit.
- Keep the fire pit at least 20 feet away from any flammable surface or dwelling.
- DO NOT use near flammable or combustible objects or materials.
- Always use gloves and protective glasses when loading the fire pit or extinguishing the fire.
- Have a fire extinguisher available near the fire pit in case of emergency.

## **Operation Instructions**

- Please use Poker (provided) when handling.
- We do not recommend pouring water over the fire unless necessary. The fire should be allowed to expire on its own.

## **Care and Maintenance**

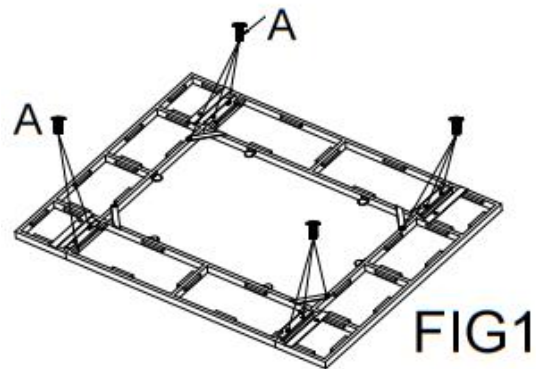
This fire pit is a quality-built product and is made to last for many years. The frame structure of this unit is made of powder-coated steel extrusion and should resist rusting under normal use. Should rusting occur, we suggest using a steel brush on the affected area followed by a spray coating of high temperature anti-rust paint. For additional rust proofing of the bowl, grate and mesh lid we recommend that a coat of high temperature primer is applied **before** use. You may cover the fire pit with a Protective Cover when the fire pit is not in use. Ensure the fire pit has completely cooled down before using the Protective Cover.

## **Assembly Instructions**

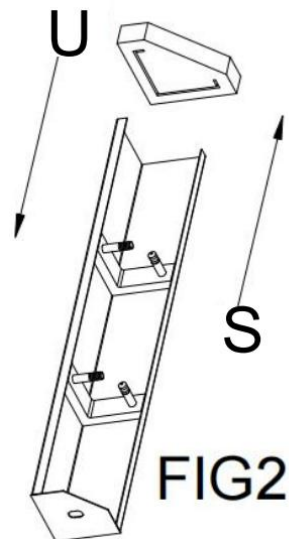
Estimated Assembly Time: 20 Minutes.

**DO NOT over tighten hardware!**

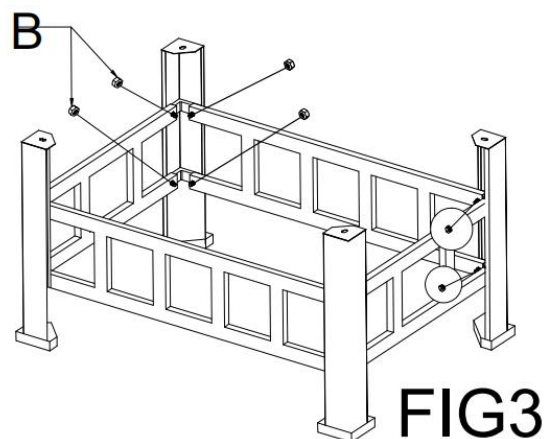
**Step 1.** Place Mantle parts on a soft, even clean surface with the groove sides upwards to form a rectangle. Connect each by using Bolts (A). (View Fig 1)



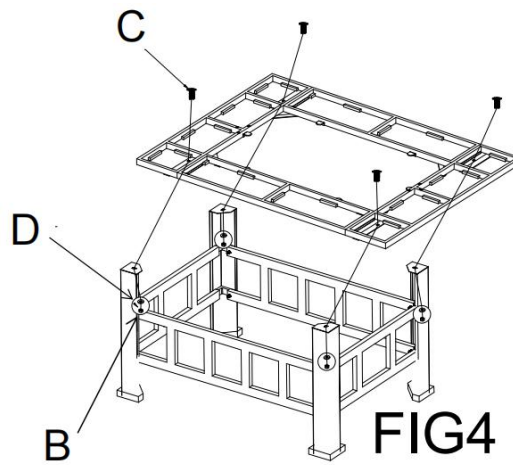
**Step 2.** Put Plastic feet(U) on the Corner Post I (S). (View Fig 2).



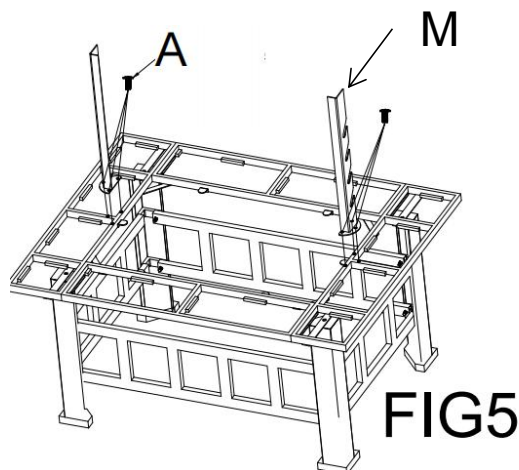
**Step 3.** Mount Ladder Frame A(Q1) and Ladder Frame B(Q2) to the studs (pre-installed) on the Corner Posts (S) by using Nut(B). (View Fig 3)



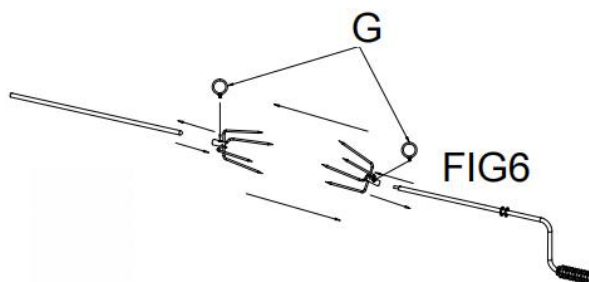
**Step 4** . Attach the Frame (I) to Corner Post (S) by using Bolts (C)、Spacer(D) and Nut(B).  
(View Fig 4)



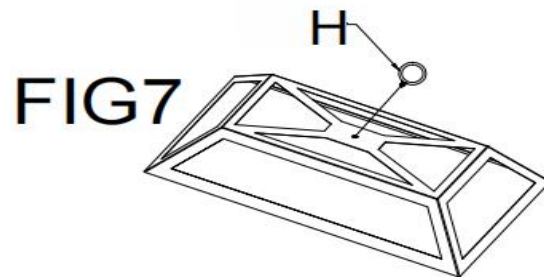
**Step 5**. Attach the Fixed Mount (M) to Ladder Frame B(Q2) by using Bolts (A).(View Fig 5)



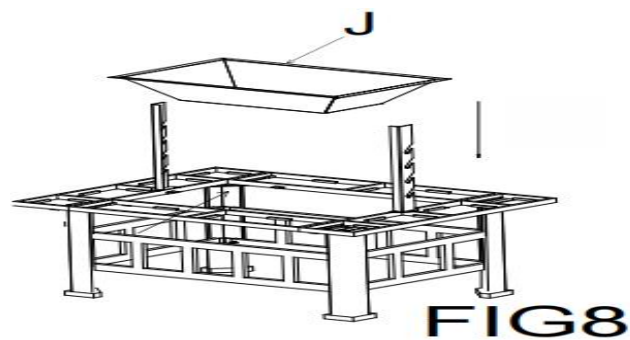
**Step 6**. Attach the Fixed Fork Claw (P) to Rotate Grill Axel A(N) and Rotate Grill Axe B (O) by using Rotary Grill Set Screw(G).(View Fig 6)



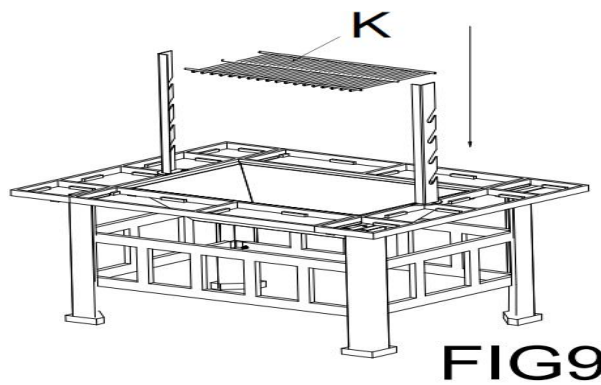
**Step 7.**Affix Lid Ring (H) to the Mesh Lid (L) by screwing the lid ring into the upper hole of the mesh lid.  
(View Fig 7)



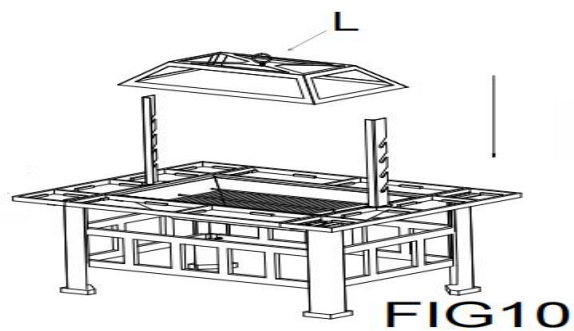
**Step 8.**Place Square Bowl (J) on the base. (View Fig 8)



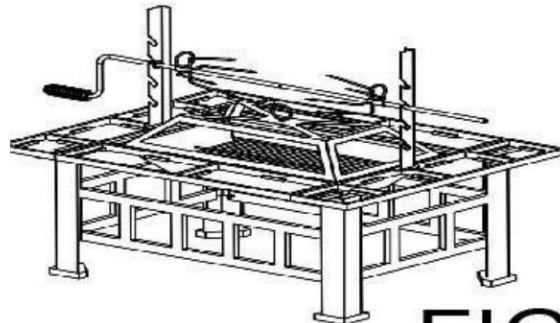
**Step 9.**Put Log Grate (K) in the Square Bowl (J). (View Fig 9)



**Step 10.** Place the mesh lid(L) on the square bowl. (View Fig 10)

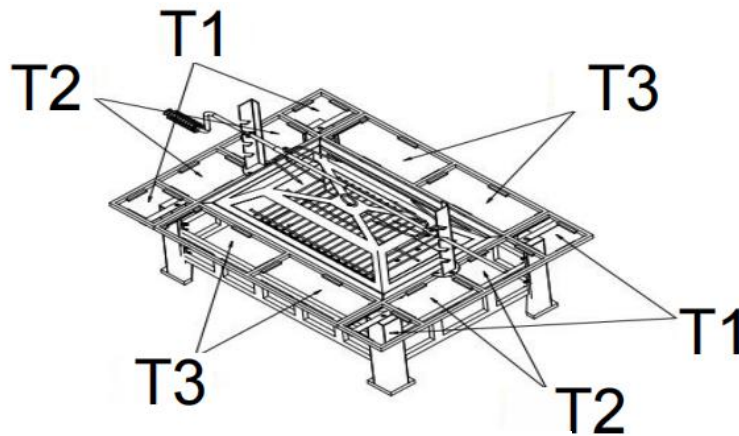


**Step 11.** Place the Rotate on Fixed Moun(M). (View Fig 11)



**FIG11**

**Step 12.** Place the Ceramic tile on Frame(A).(View Fig 12)



**FIG12**

 **WARNING!**

- The use of alcohol, prescription or non-prescription drugs may impair the ability to properly assemble or safely operate this fire pit.
- When using this fire pit, exercise the same precautions you would with any open fire.
- Do not use this fire pit for indoor heating. Toxic carbon monoxide fumes can accumulate and cause asphyxiation or death.