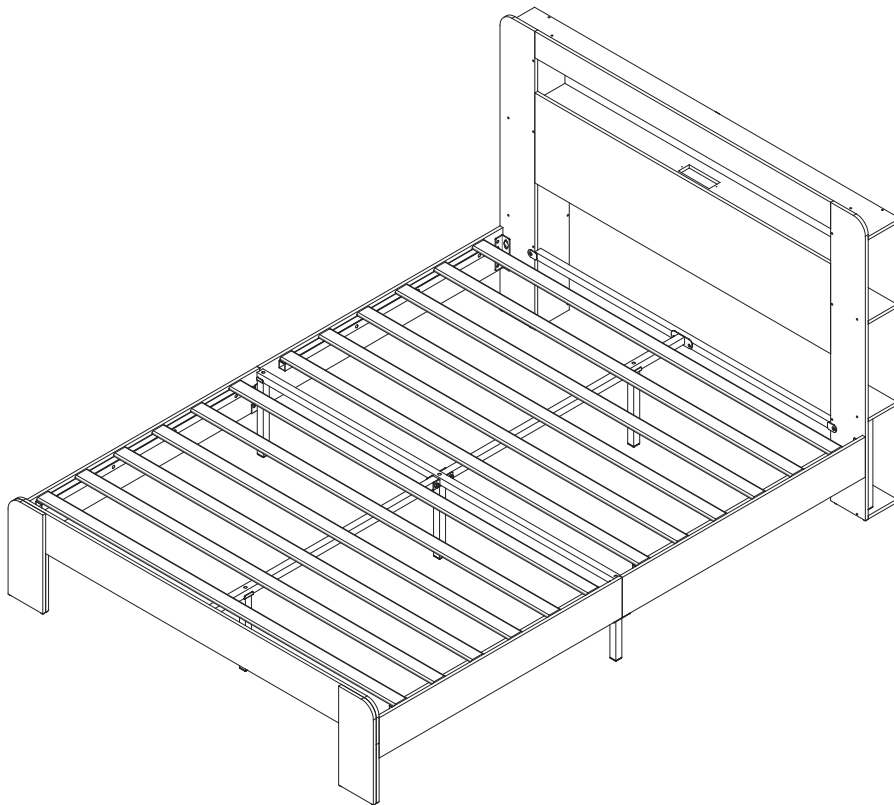
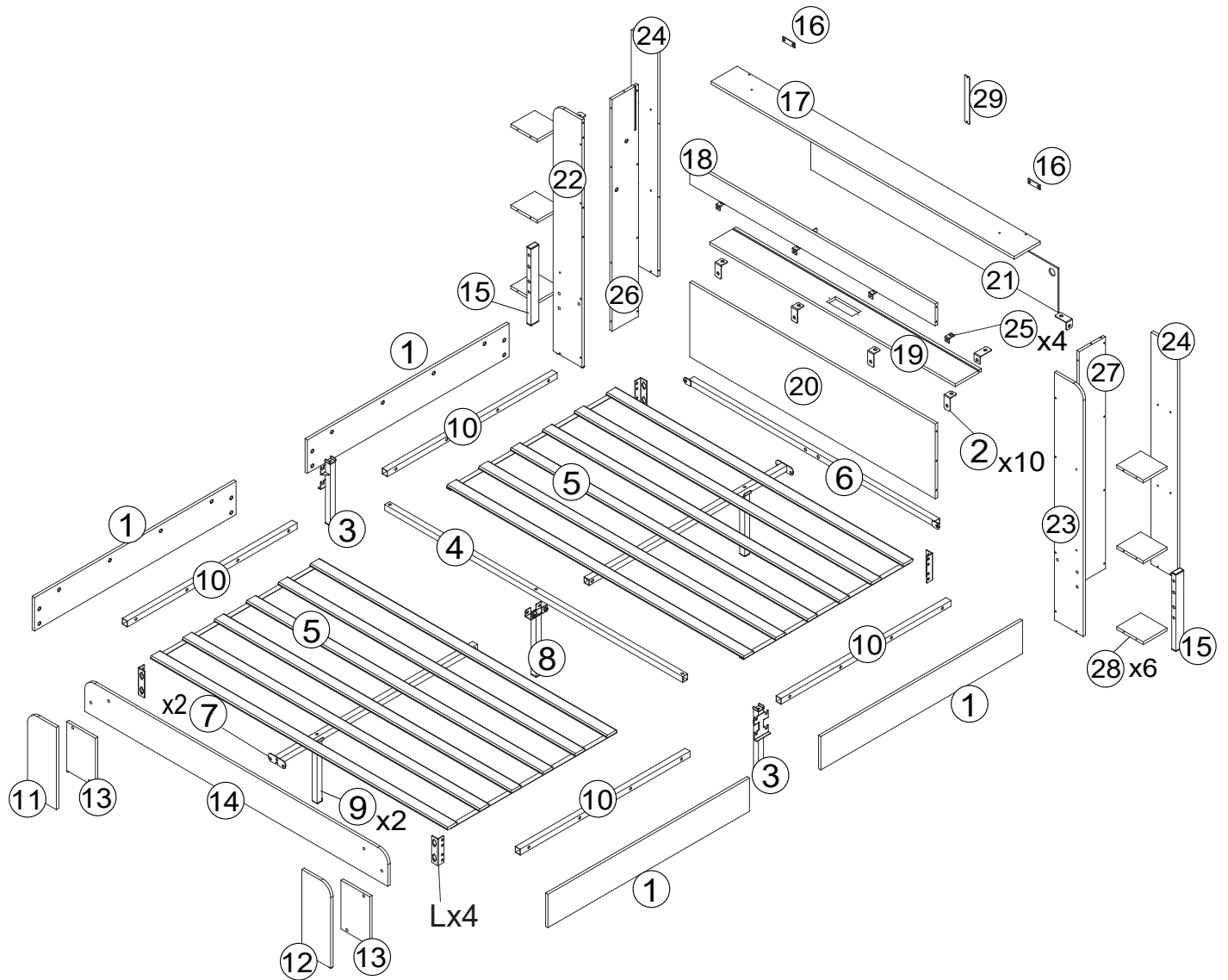


# BED FRAME



Thank you for choosing our products, please assemble and use it following the instructions.

# Assembly Instruction

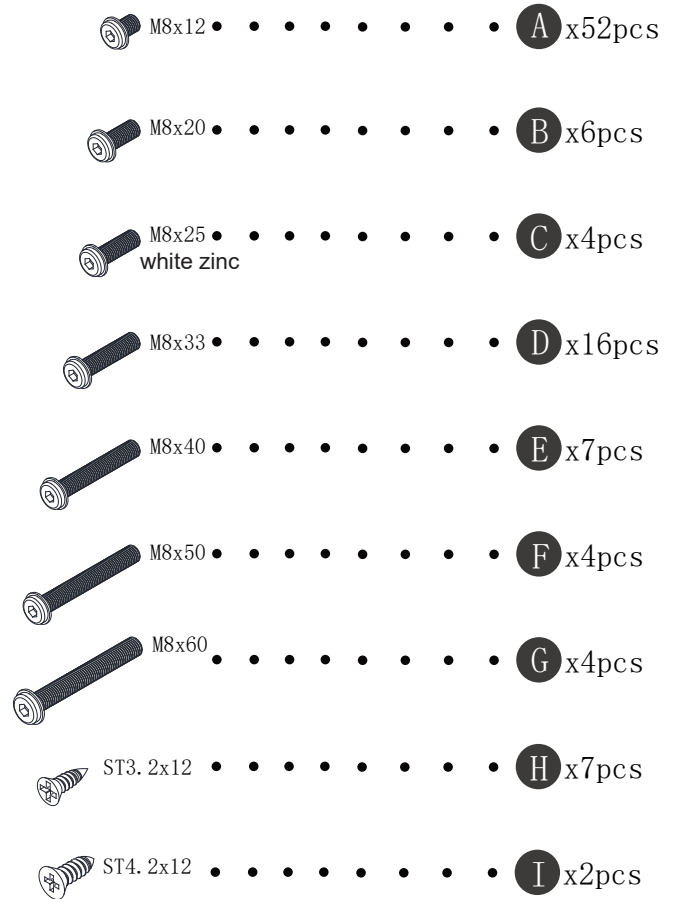
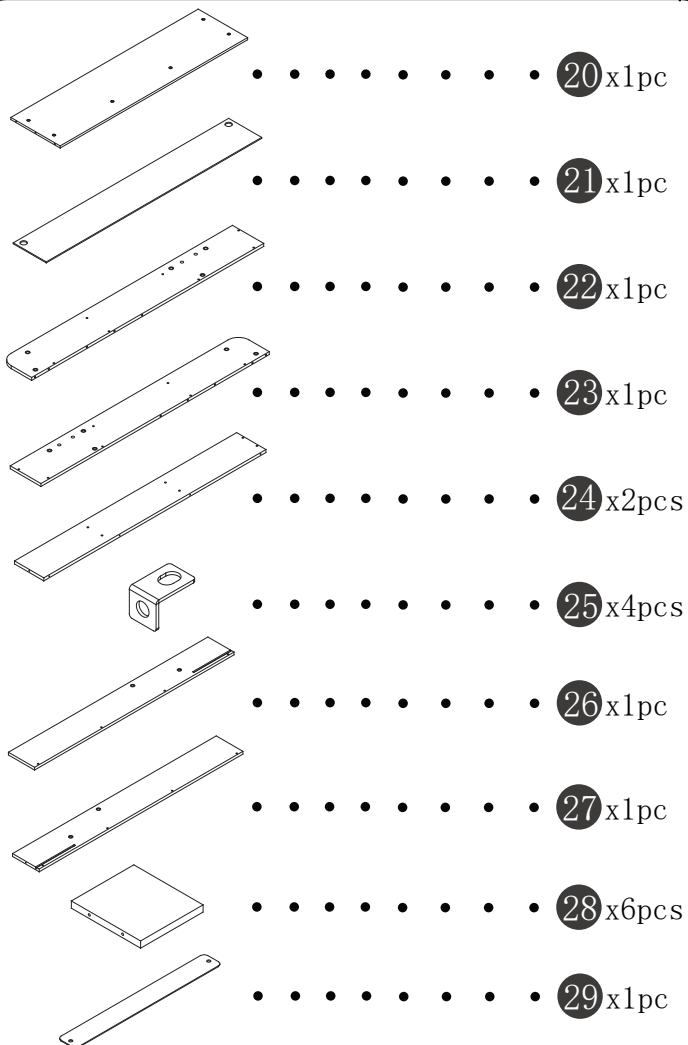
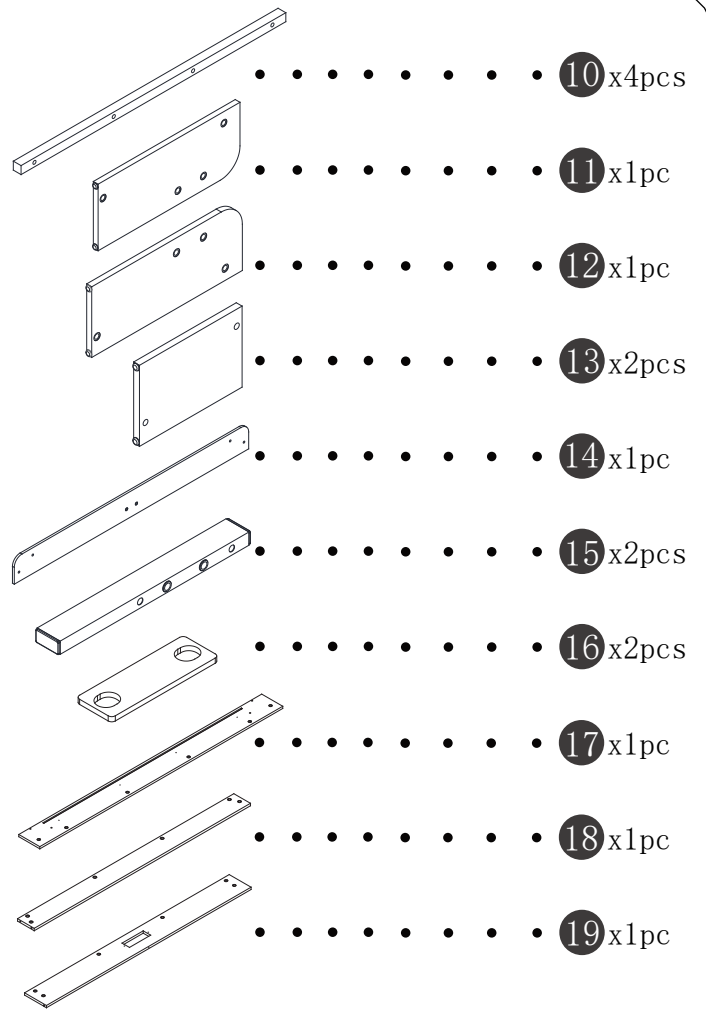
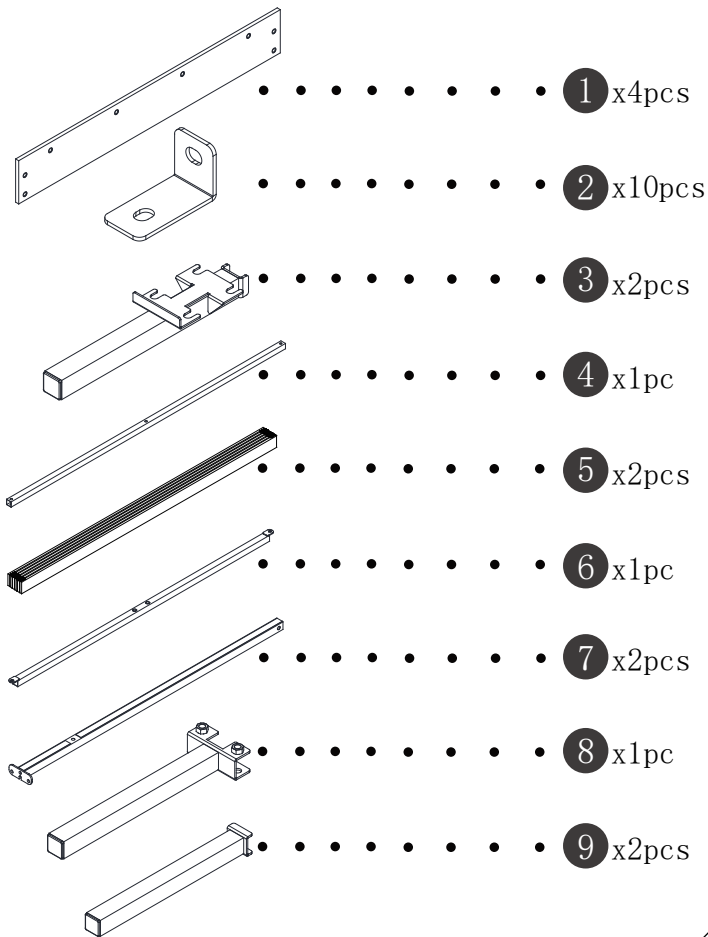


## Important Note

### HARDWARE NOTE :

1. Two or more people are required for assembly
2. Do not screw on the bolts too tight unless the installation is done. Make sure all bolts are tightly screwed before you use it.

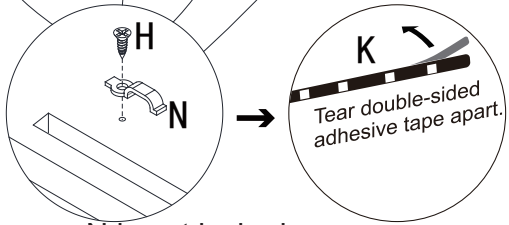
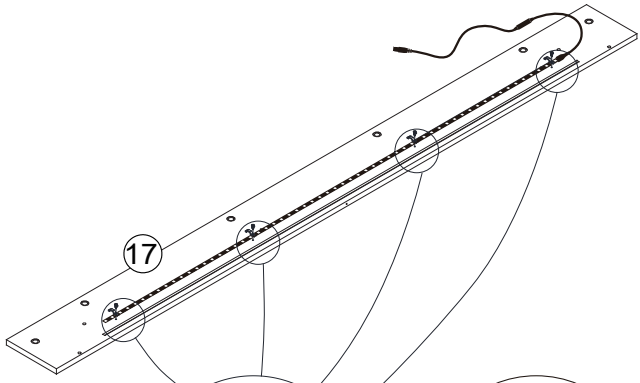
# Components





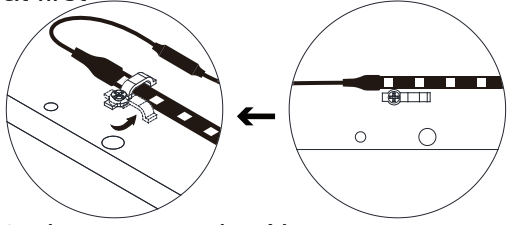
NOTE: F/Q is installed 4 (N)(H)

4



Tear double-sided adhesive tape apart.

Accessory N is not locked tight at first

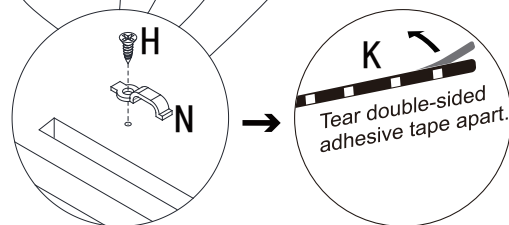
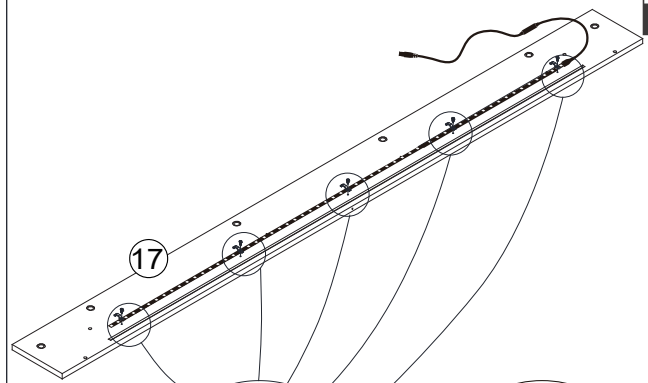


Fastening accessories N

H		4pcs
ST3. 2x10		

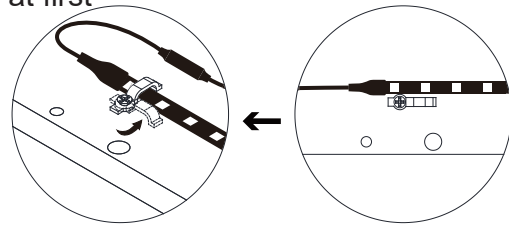
NOTE: King is installed 5 (N)(H)

4-1




Tear double-sided adhesive tape apart.

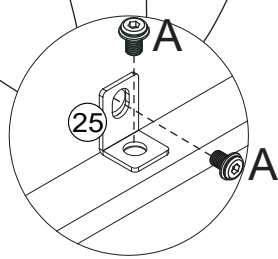
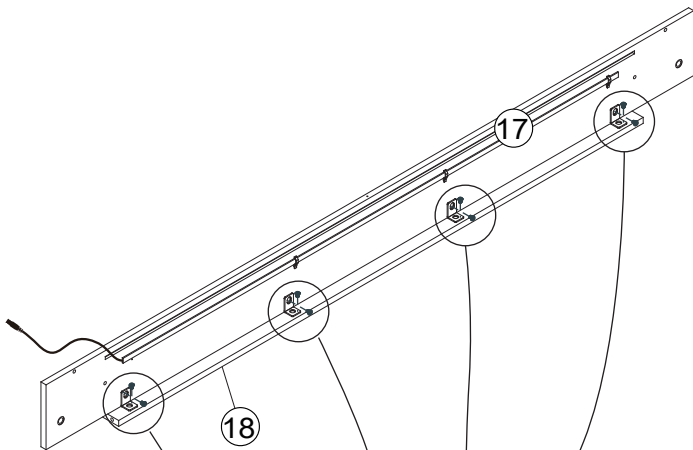
Accessory N is not locked tight at first



Fastening accessories N

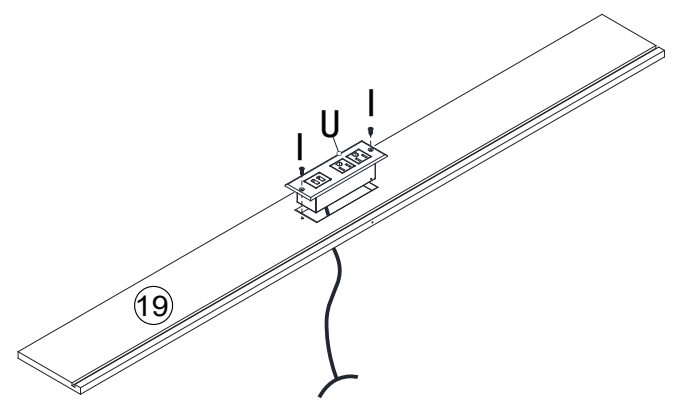
H		5pcs
ST3. 2x10		

5



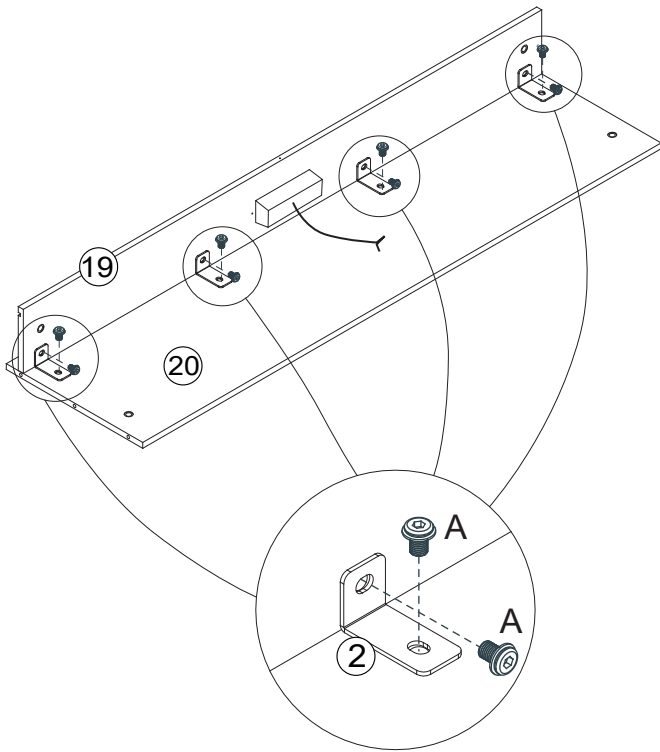
A		8pcs
M8x12		

6



I		2pcs
ST4. 2x12		

7



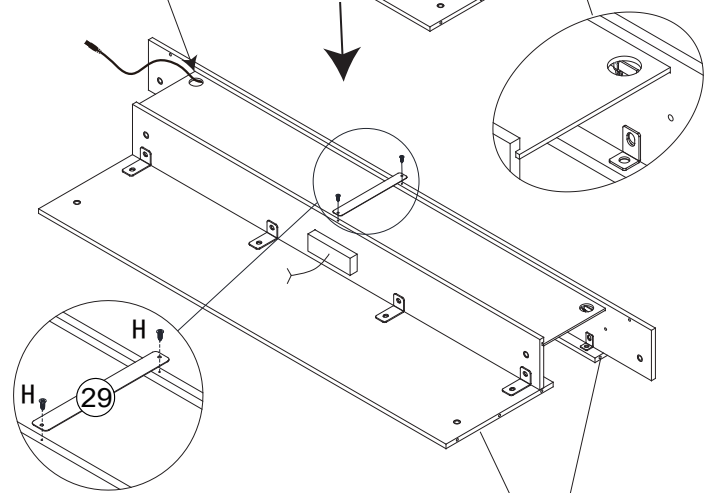
A		8pcs
	M8x12	

8



2 persons required for assembling

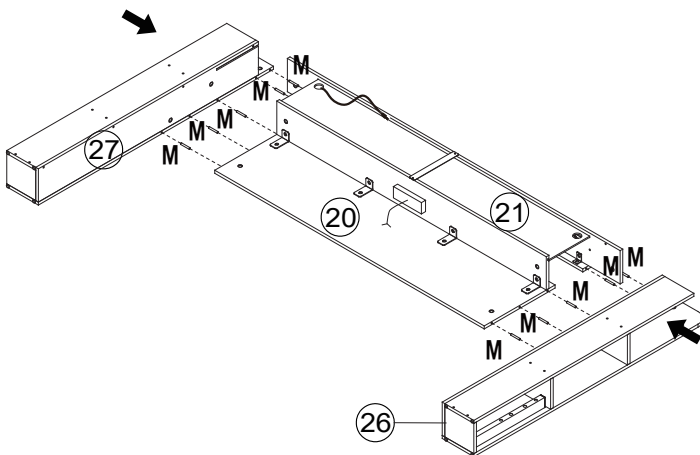
Pass the LED strip connector through the hole

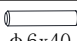


H		2pcs
	ST3. 2x10	

The two boards are flush.

9

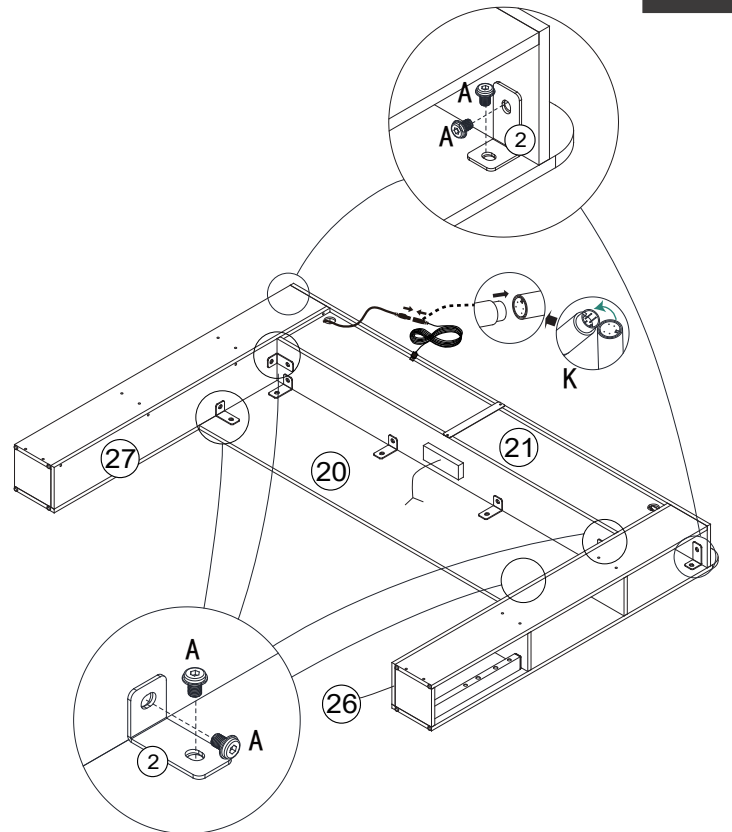



M		10pcs
	$\phi$ 6x40	



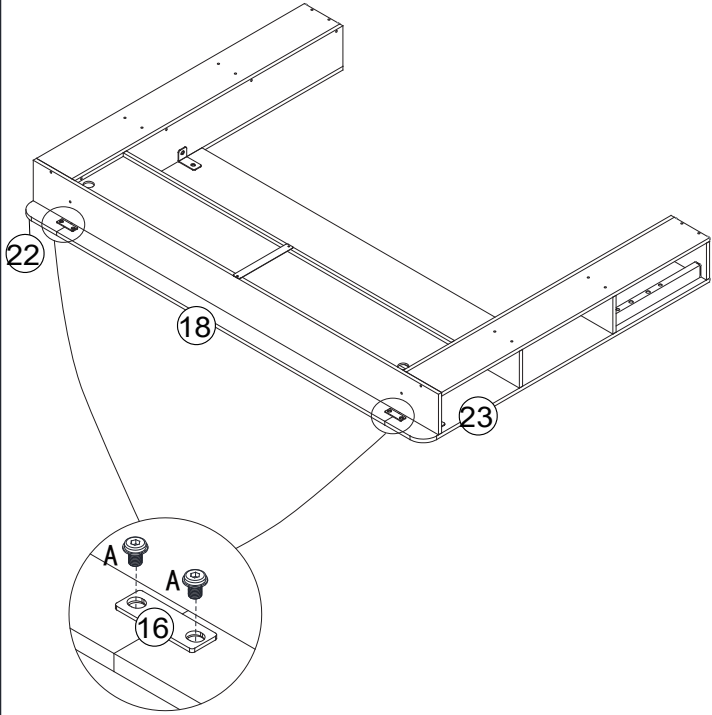
2 persons required for assembling

10



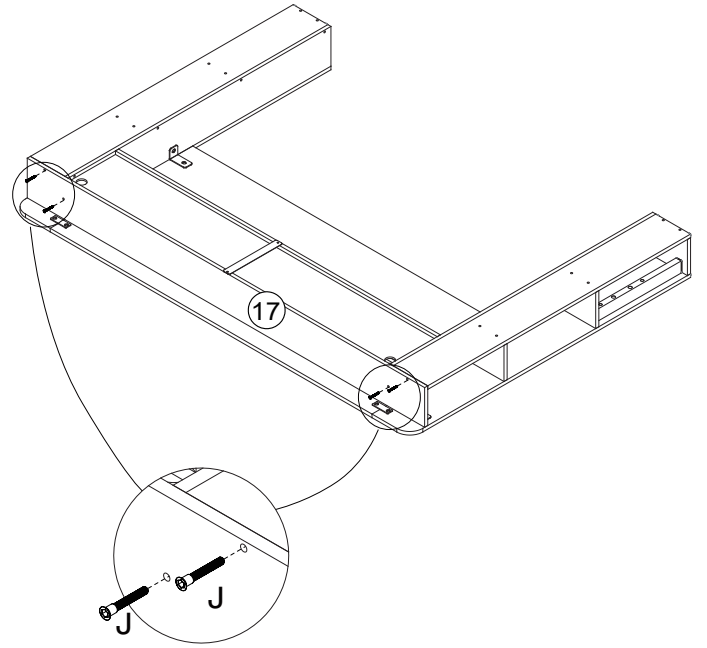
A		12pcs
	M8x12	


11



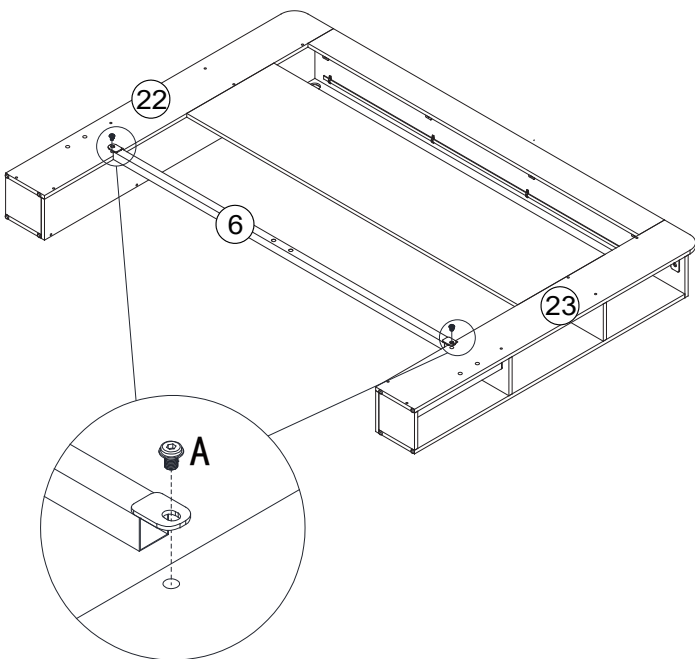
A		M8x12	4pcs
---	---	-------	------

12



J		M5x40	4 pcs
---	--	-------	-------

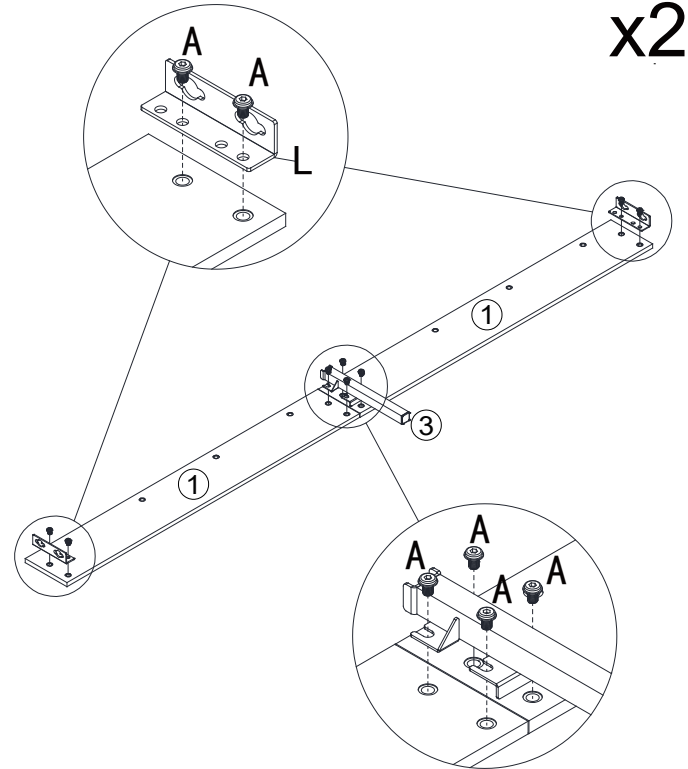
13



A		M8x12	2pcs
---	---	-------	------

14

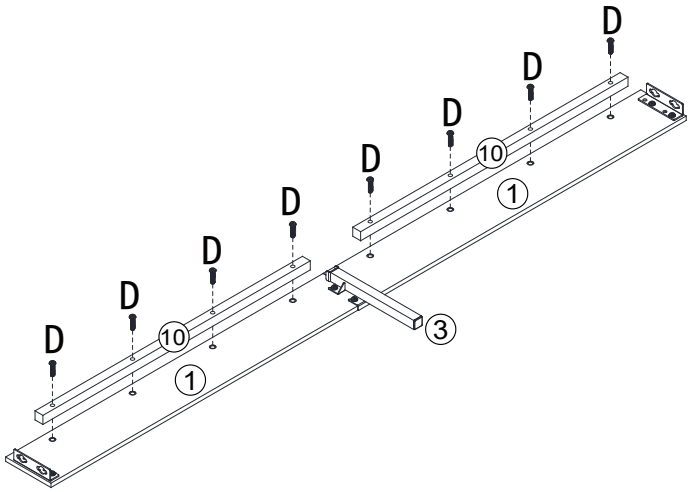
x2



A		M8x12	16pcs
---	--	-------	-------

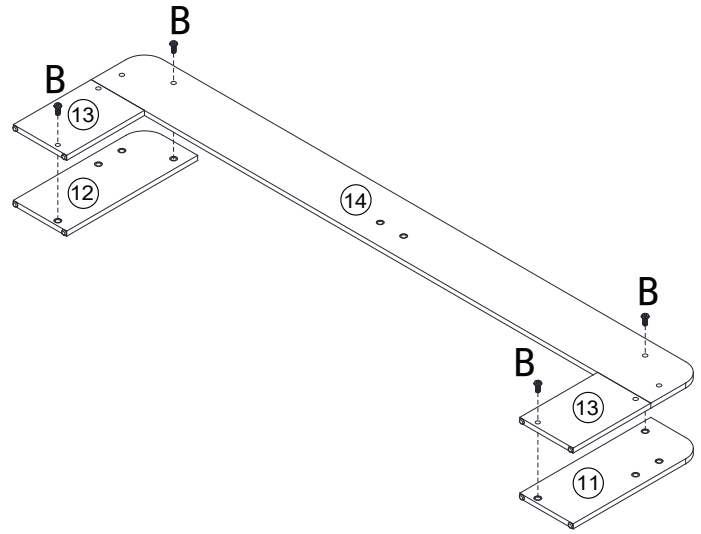
15

x2



D		16pcs
M8x33		

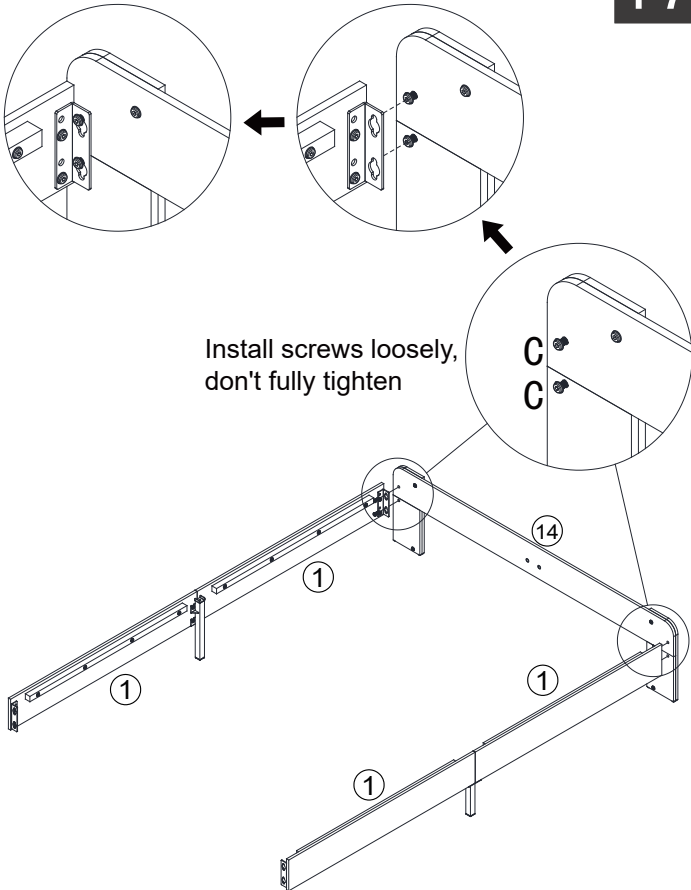
16




B		4pcs
M8x20		

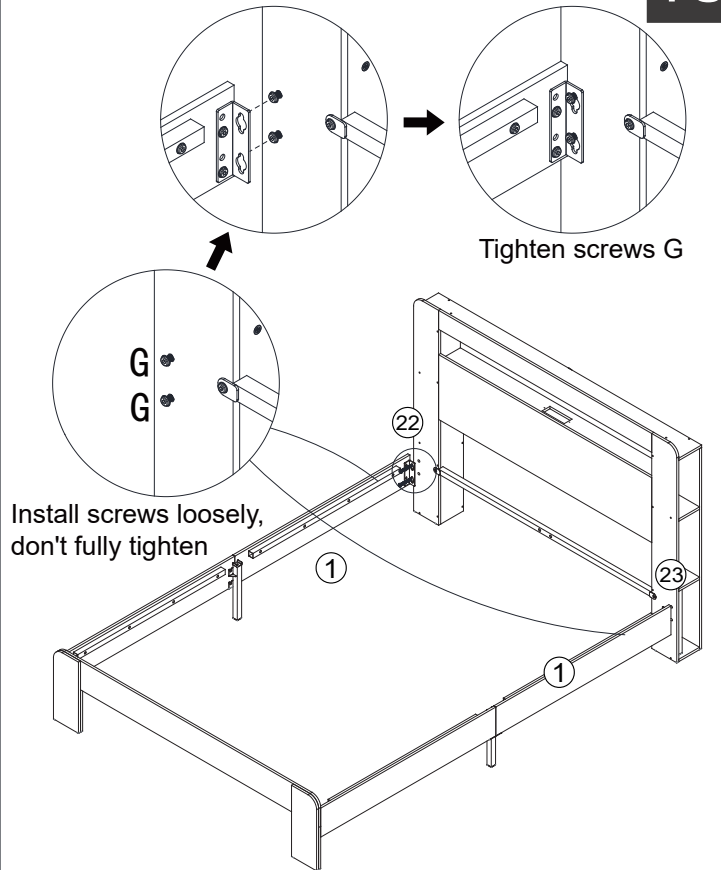
Tighten screws C


17



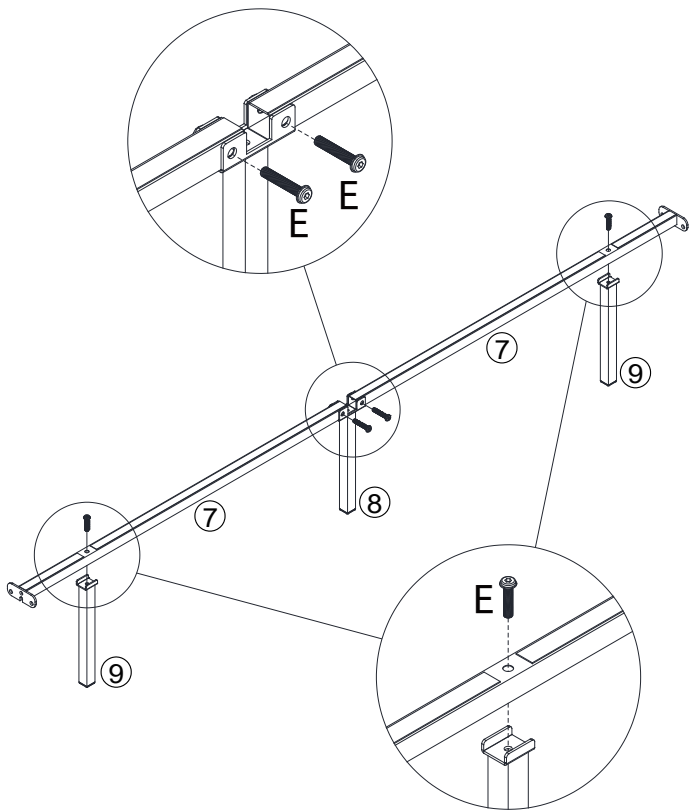
C		4pcs	white zinc
M8x25			

18



G		4pcs
M8x60		

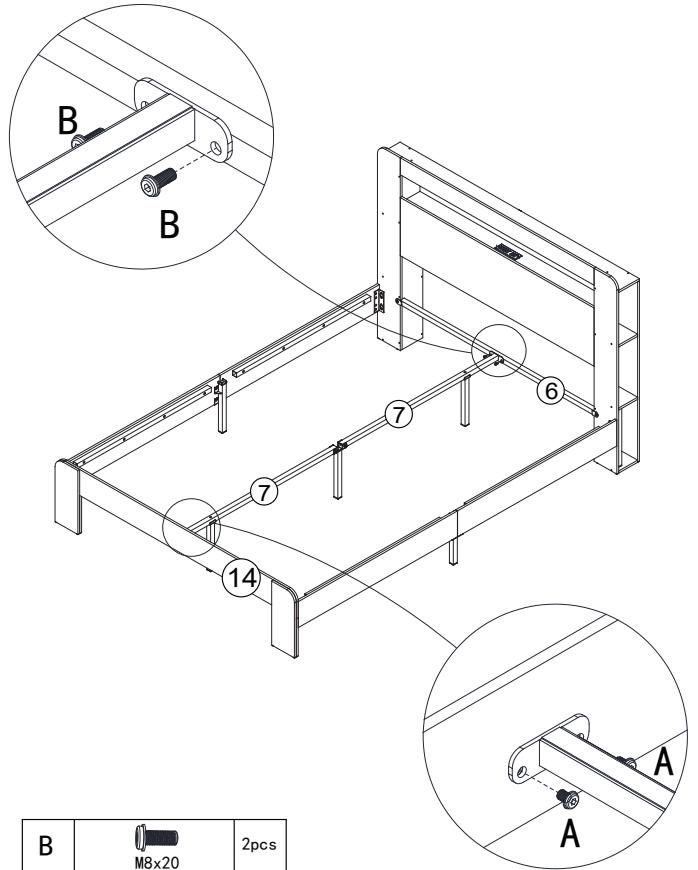
19





E		4pcs
M8x40		

20

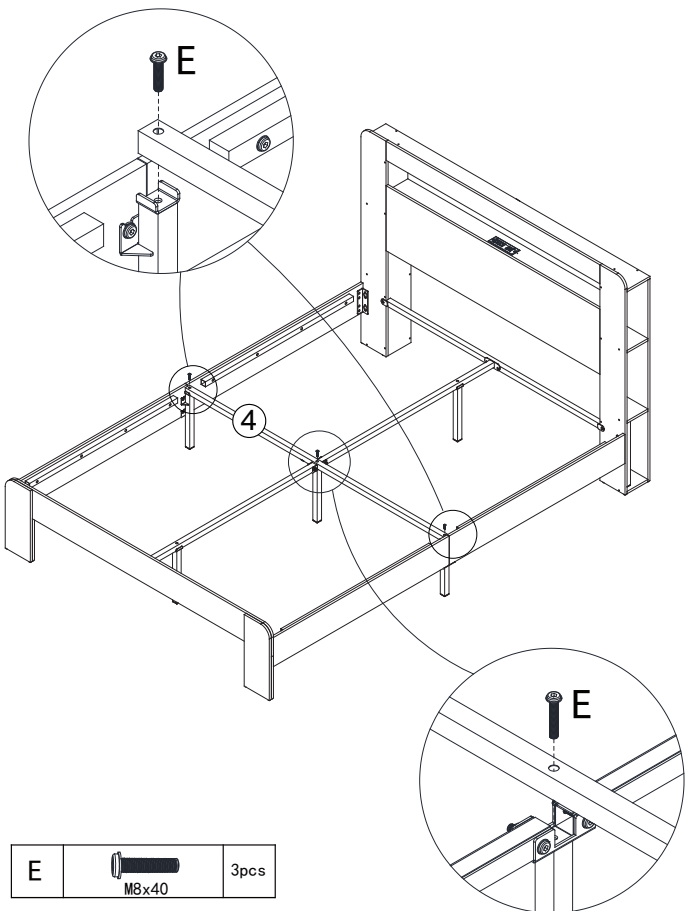
Assemble second



B		2pcs
M8x20		
A		2pcs
M8x12		

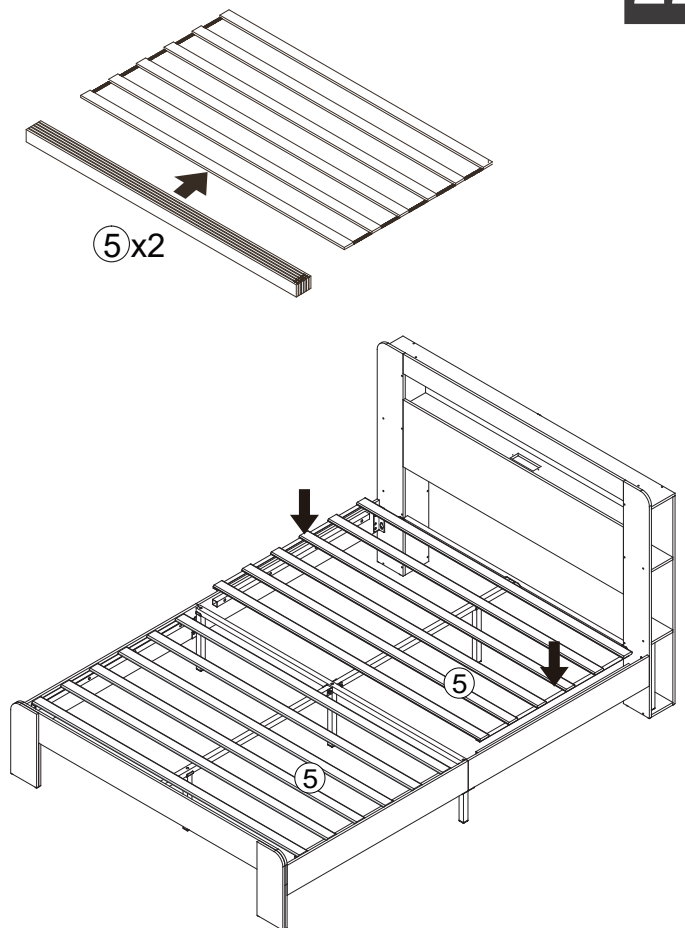
to Assemble first

21

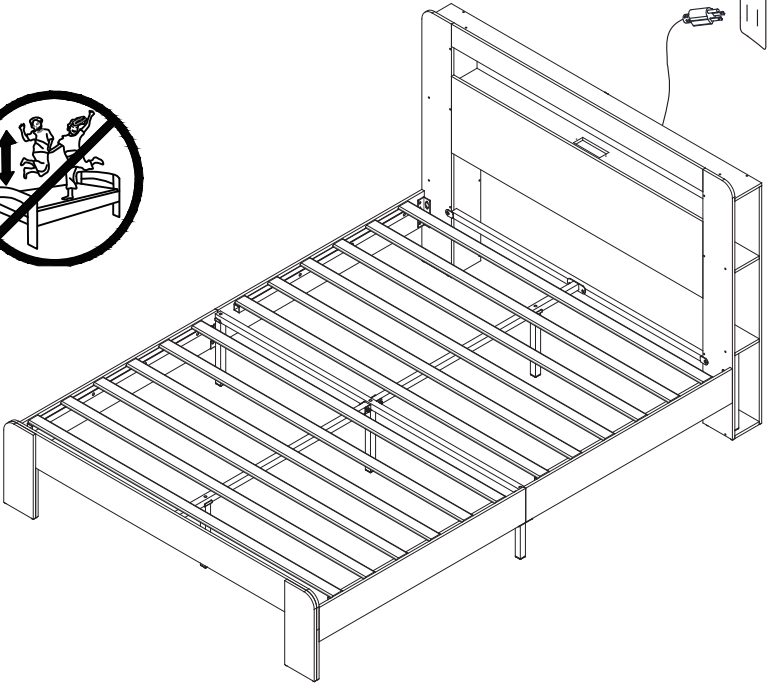


E		3pcs
M8x40		

22



# Finish



Note: Now you can tighten all the bolts.