

ASSEMBLY INSTRUCTION

1. - 1 PC.



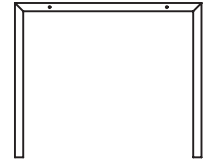
2. - 2 PCS.



3. - 2 PCS.



4. - 2 PCS.



A. M6 x 50 - 12 PCS.



B. M6 x 25 - 4 PCS.



C.-6PCS



D.-16PCS



E. - 1 PC.

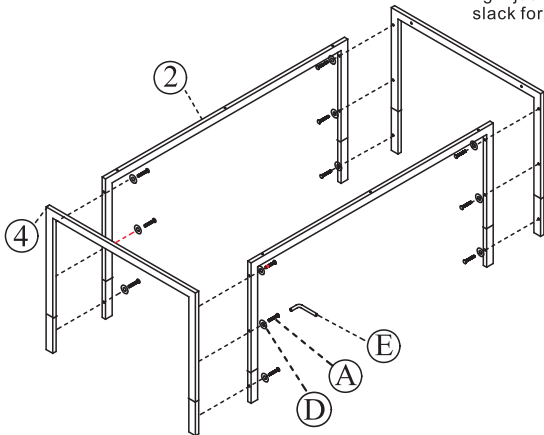


we provide spare parts for your convenience. Please contact us if you ever need any extras.

1



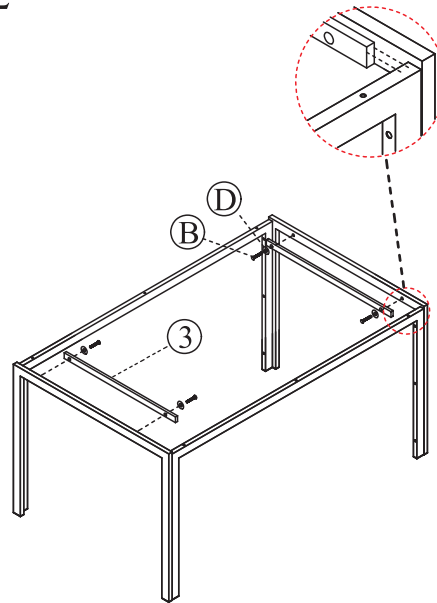
Please Do Not tighten screws to completely tight just yet, leave slack for adjustment



2



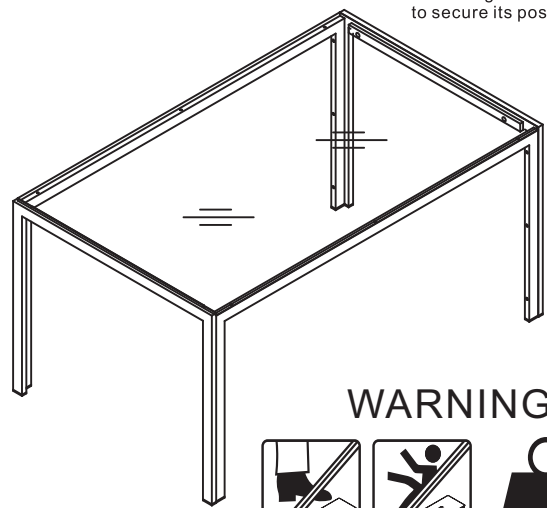
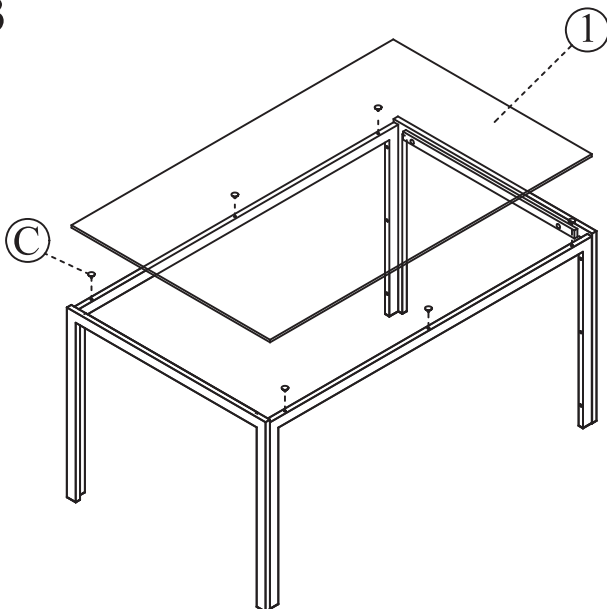
Please Do Not tighten screws to completely tight just yet, leave slack for adjustment



3



Please tighten all screws to secure its position



WARNING

