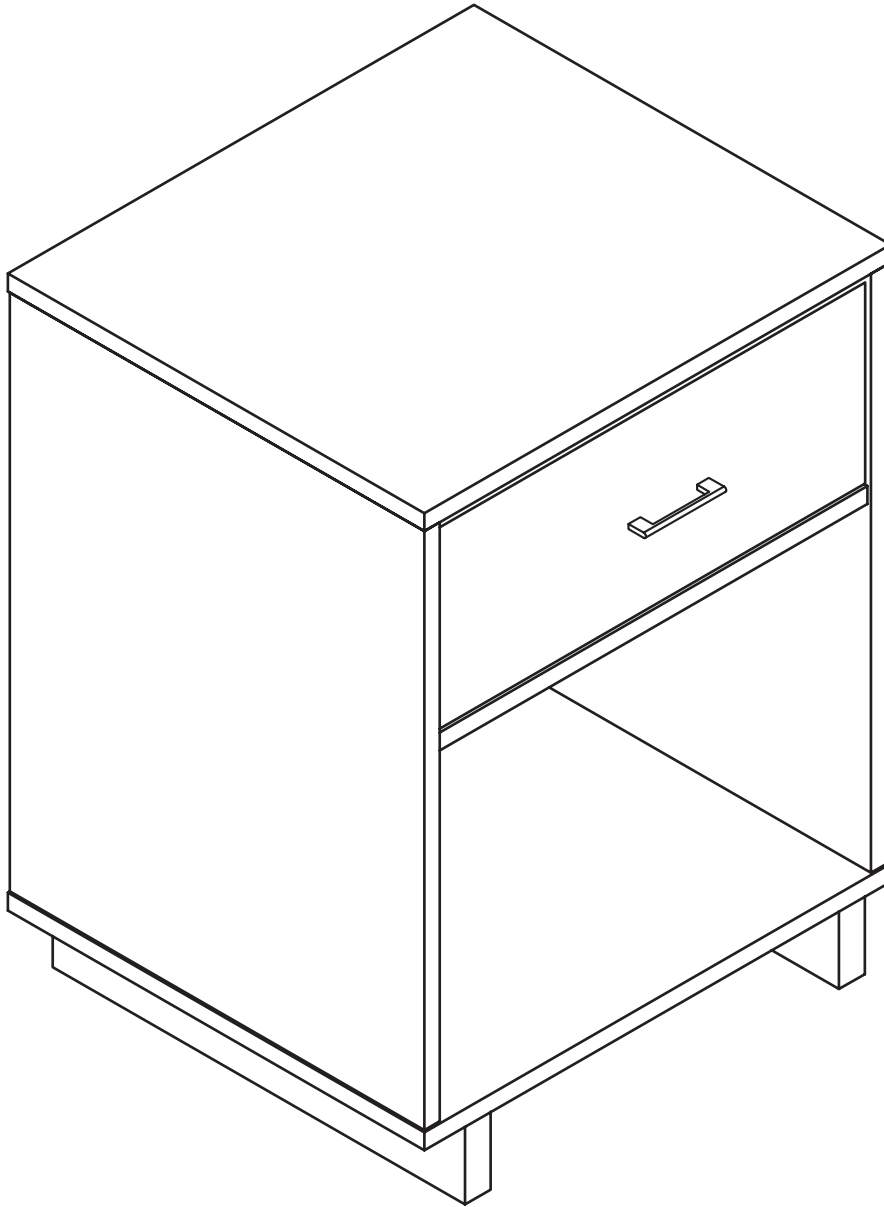


Nightstand



Keep this Assembly Manual for future reference



WARNING

Unit can tip over causing severe injury or death.

- Anchor unit to stud in wall
- Do Not allow children to climb on unit
- Put heavy items on lower shelves or drawers
- Two people required for assembly



Warning

Do NOT return this product!

Contact our friendly customer service team first for help



Call us!



Visit our website

Assembly Tips



Helpful Hints

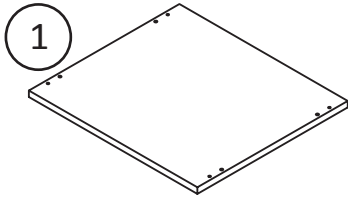
- Open your item in the area you plan to keep it for less heavy lifting
- Identify, sort and count the parts before attempting assembly
- Compression dowels are tapped in with a hammer
- Slides are labeled with a R (right) and L (left) for proper placement
- Make sure to always face the point on the top of the Cam Lock towards the outer edge
- Use all the nails provided for the back panel and spread them out equally
- Back Panel must be used to make sure your unit is sturdy
- Do NOT use harsh chemicals or abrasive cleaners on this item
- Never push, pull, or drag your furniture



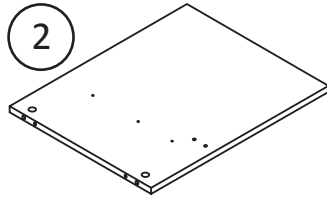
Nightstand

Board Identification

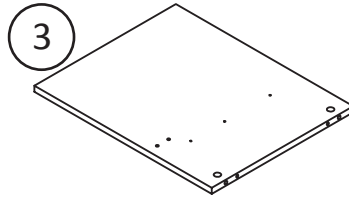
Not actual size



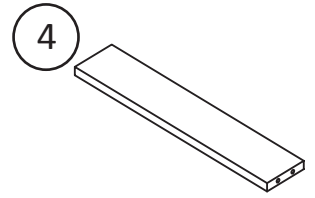
x1
TOP PANEL



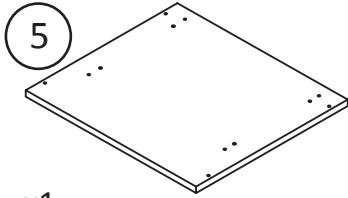
x1
SIDE PANEL LEFT



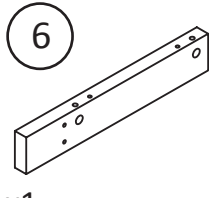
x1
SIDE PANEL RIGHT



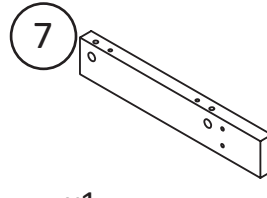
x1
BRACE



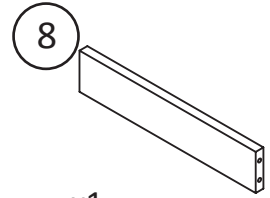
x1
BOTTOM PANEL



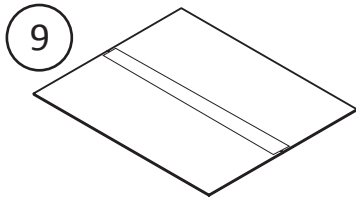
x1
SIDE RAIL LEFT



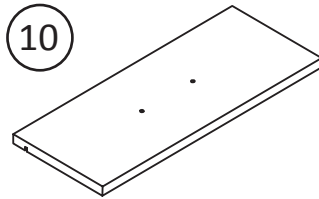
x1
SIDE RAIL RIGHT



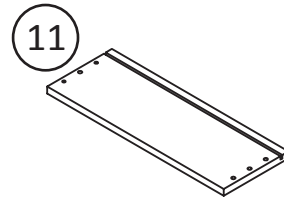
x1
KICK PANEL



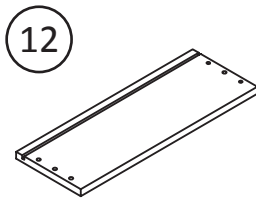
x1
BACK PANEL



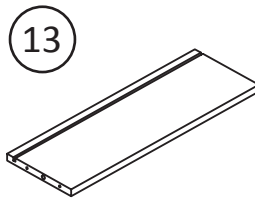
x1
DRAWER FRONT



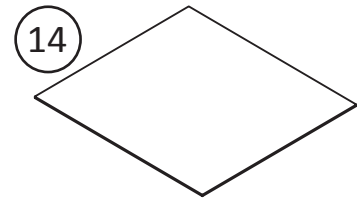
x1
DRAWER SIDE RIGHT



x1
DRAWER SIDE LEFT



x1
DRAWER BACK



x1
DRAWER BOTTOM

Nightstand

Part List

Actual Size



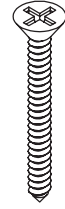
x8
TTA0001
Cam Bolt



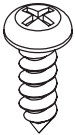
x8
TTA0003
Cam Lock
15-11.5



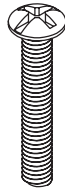
x14
TTA0005
CBS 3.5 x 12



x8
TTA0010
CSK 4 x 32



x4
TTA0013
PHCB 4 X 12



x2
TTA0014
PH M4 X 20

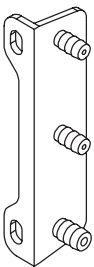


x22
TTA0016
DOWEL 6 X 30



x20
TTA0018
NAIL

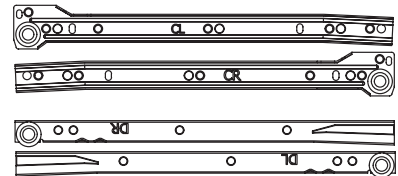
Not Actual Size



x2
TTA0028
DRAWER BRACKET

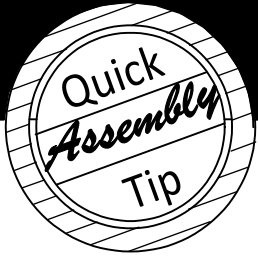


x1
TTA0032
PULL HANDLE
96MM

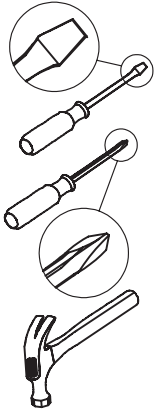


x1 Set
TTA0033
DRAWER SLIDE
300 MML

Nightstand



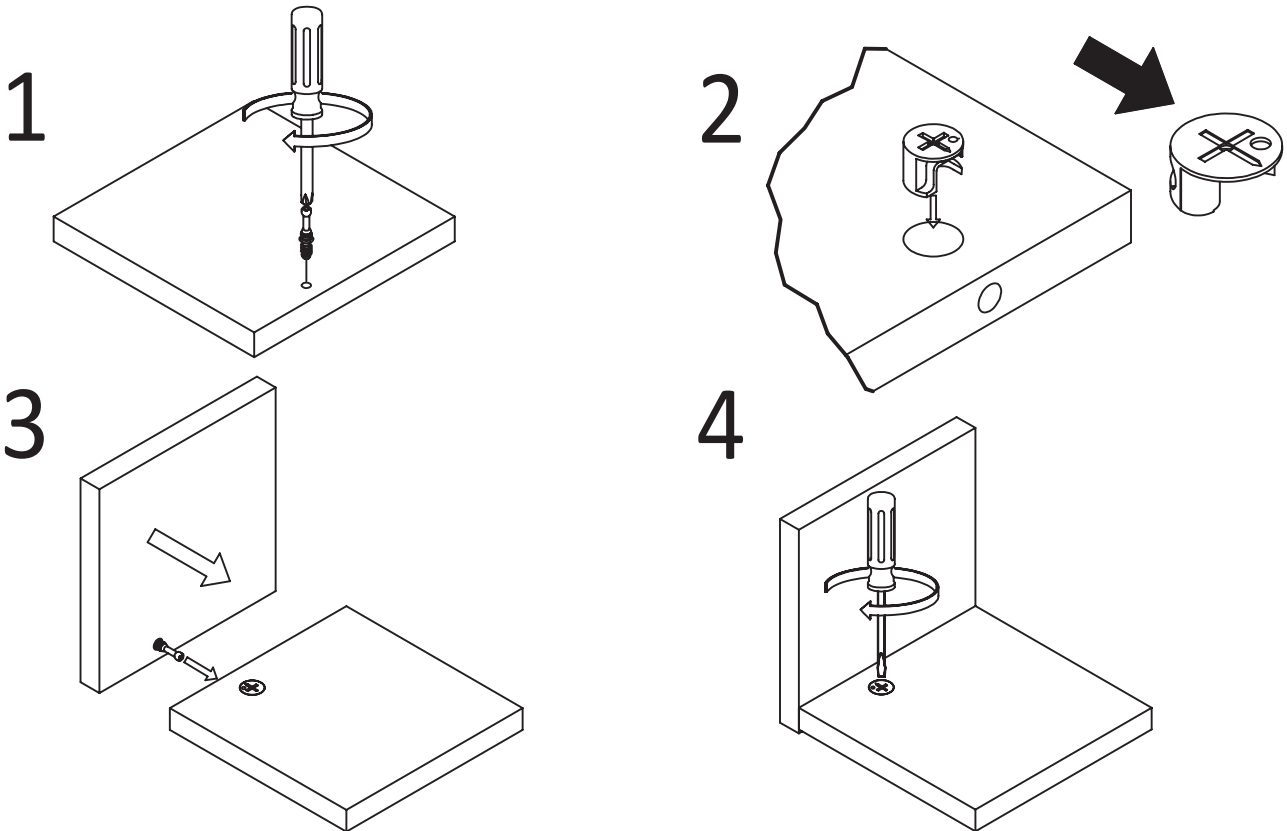
Before You Start



- ✓ Read through each step carefully and follow the proper order
- ✓ Separate and count all your parts and hardware
- ✓ Give yourself enough room for the assembly process
- ✓ Have the following tools: Flat Head Screwdriver, Phillips Head Screwdriver and Hammer
- ✓ Caution: If using a power drill or power screwdriver for screwing, please be aware to slow down and stop when screw is tight. Failure to do so may result in stripping the screw.

Cam Lock Fastening System

This Cam Lock Fastening System will be used throughout the assembly process.

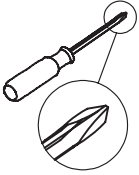


5



Nightstand

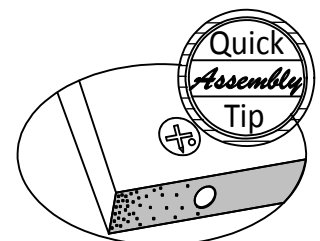
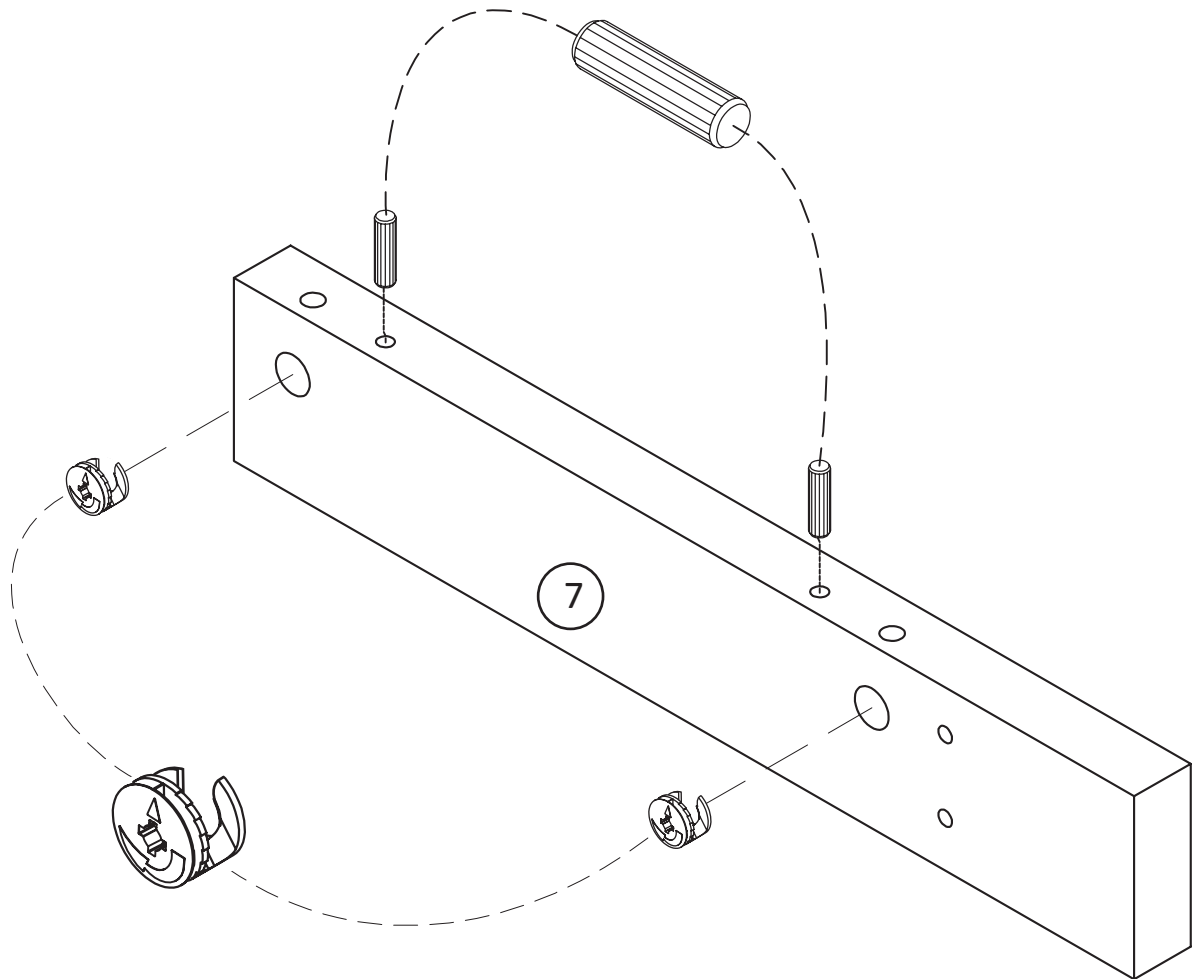
Step 1



x2
TTA0003



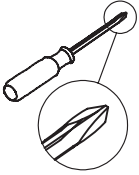
x2
TTA0016



Proper orientation of CAM LOCK

Nightstand

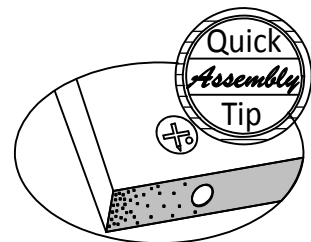
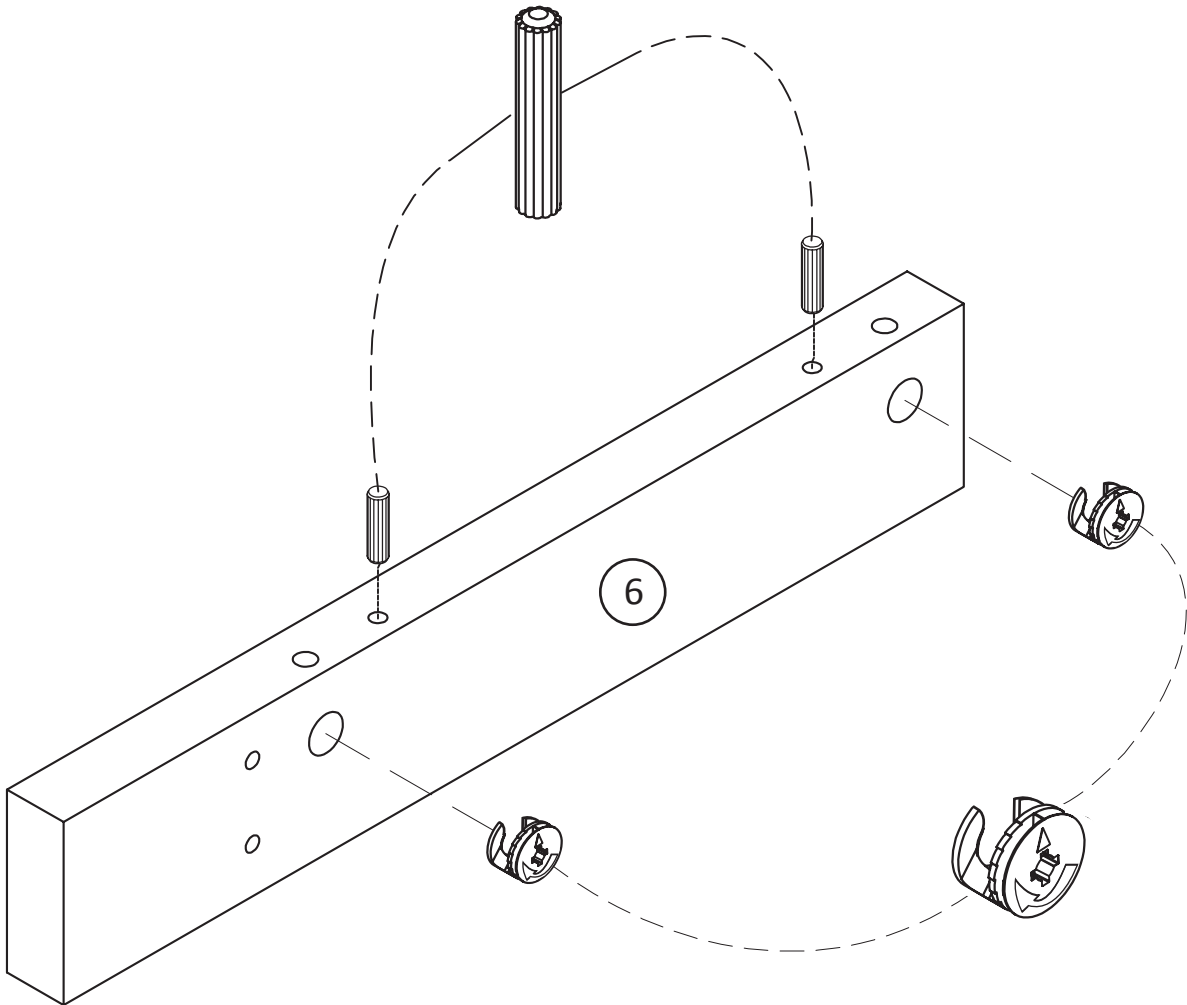
Step 2



x2
TTA0003



x2
TTA0016



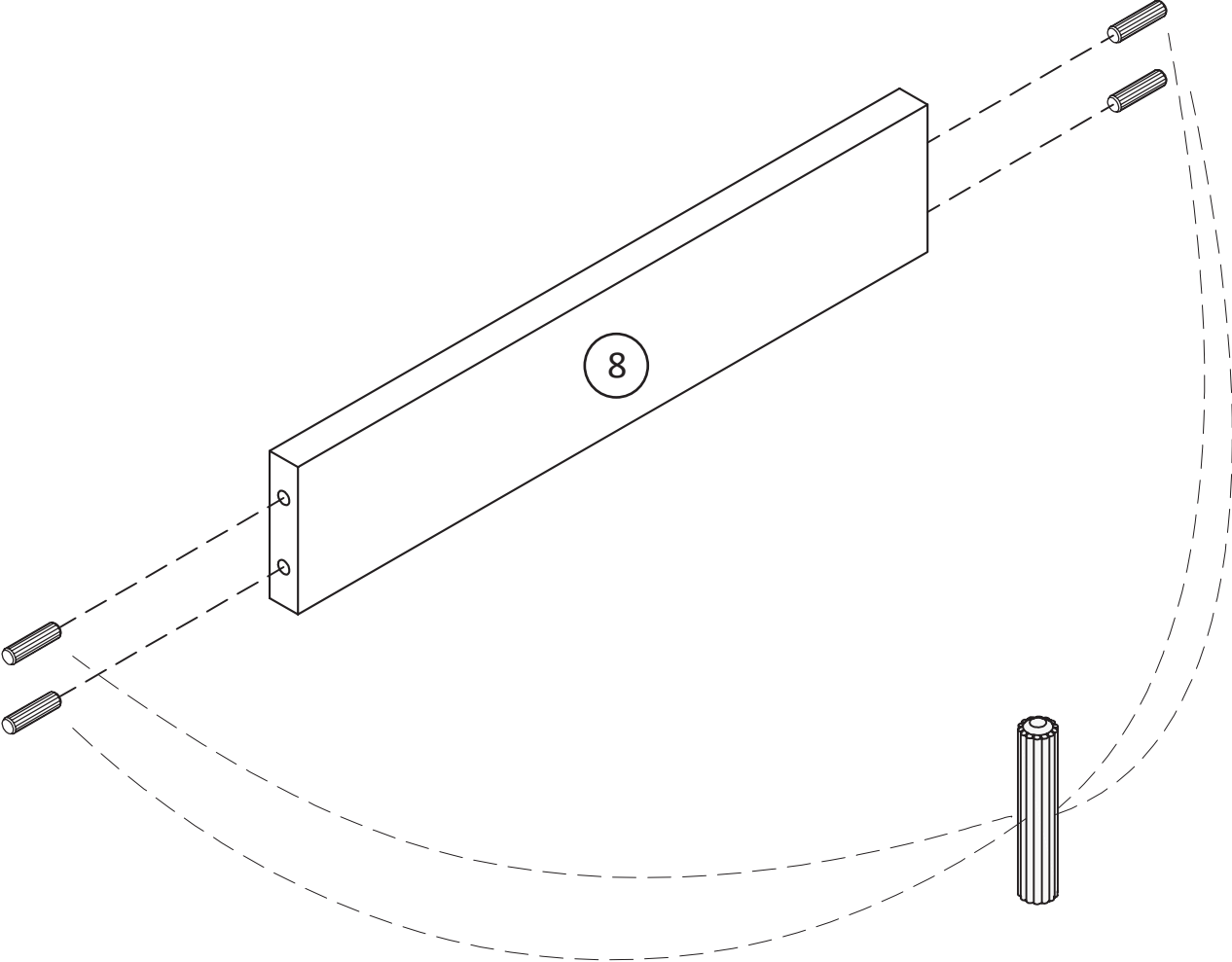
Proper orientation of CAM LOCK

Nightstand

Step 3

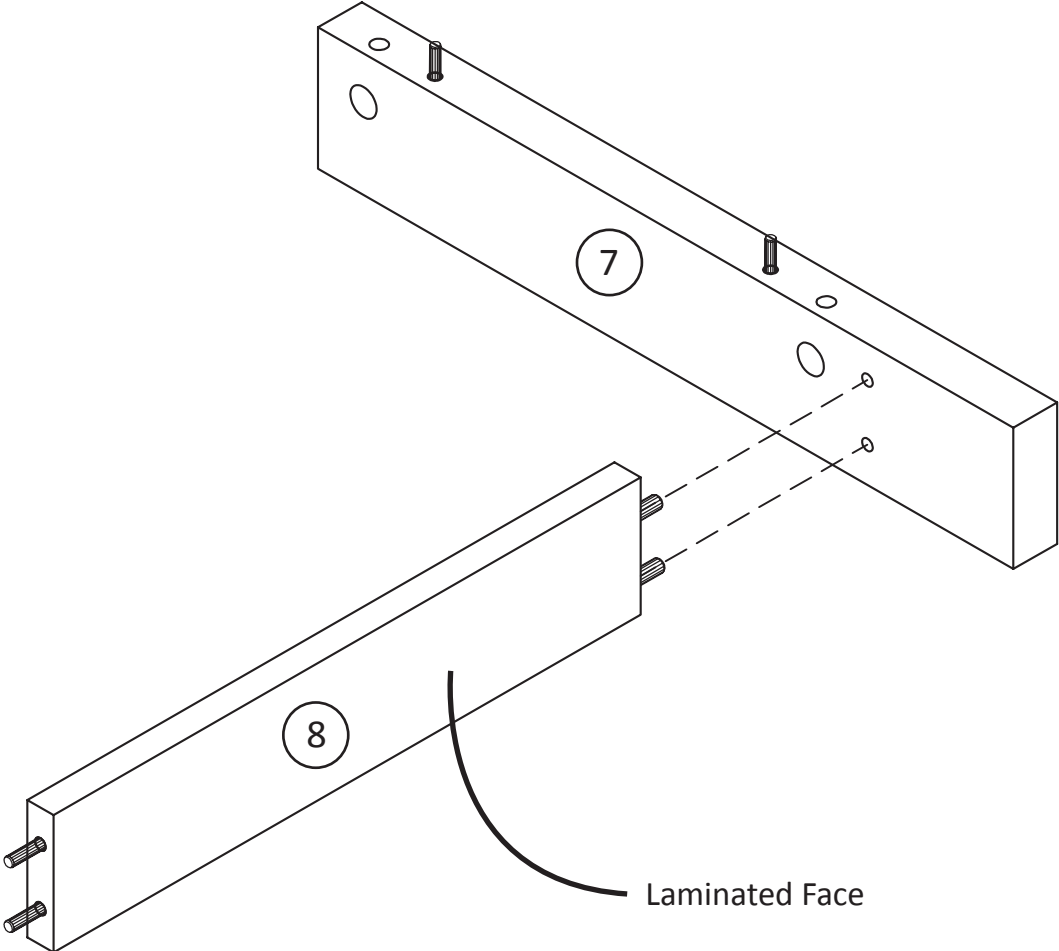


x4
TTA0016



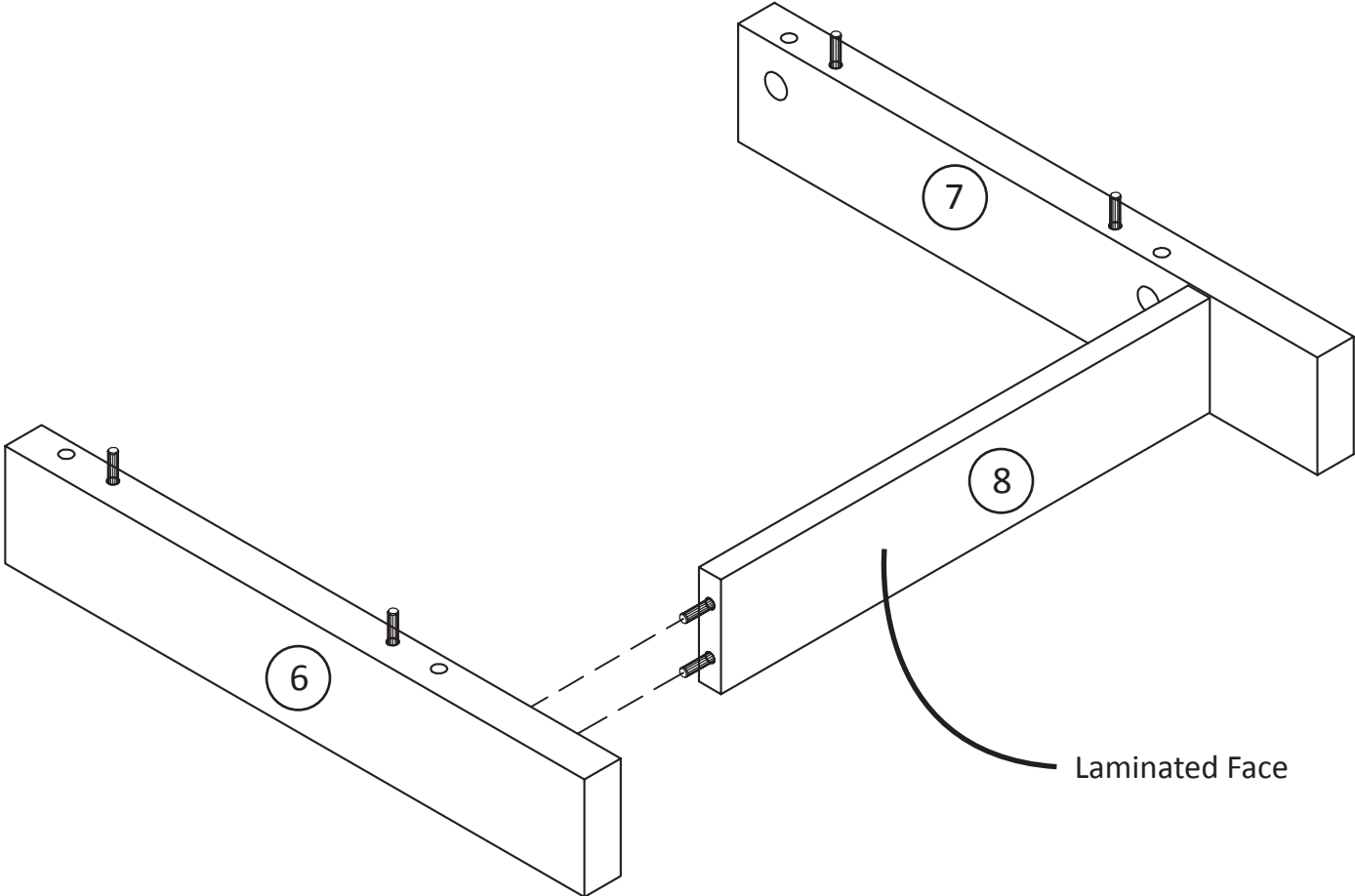
Nightstand

Step 4



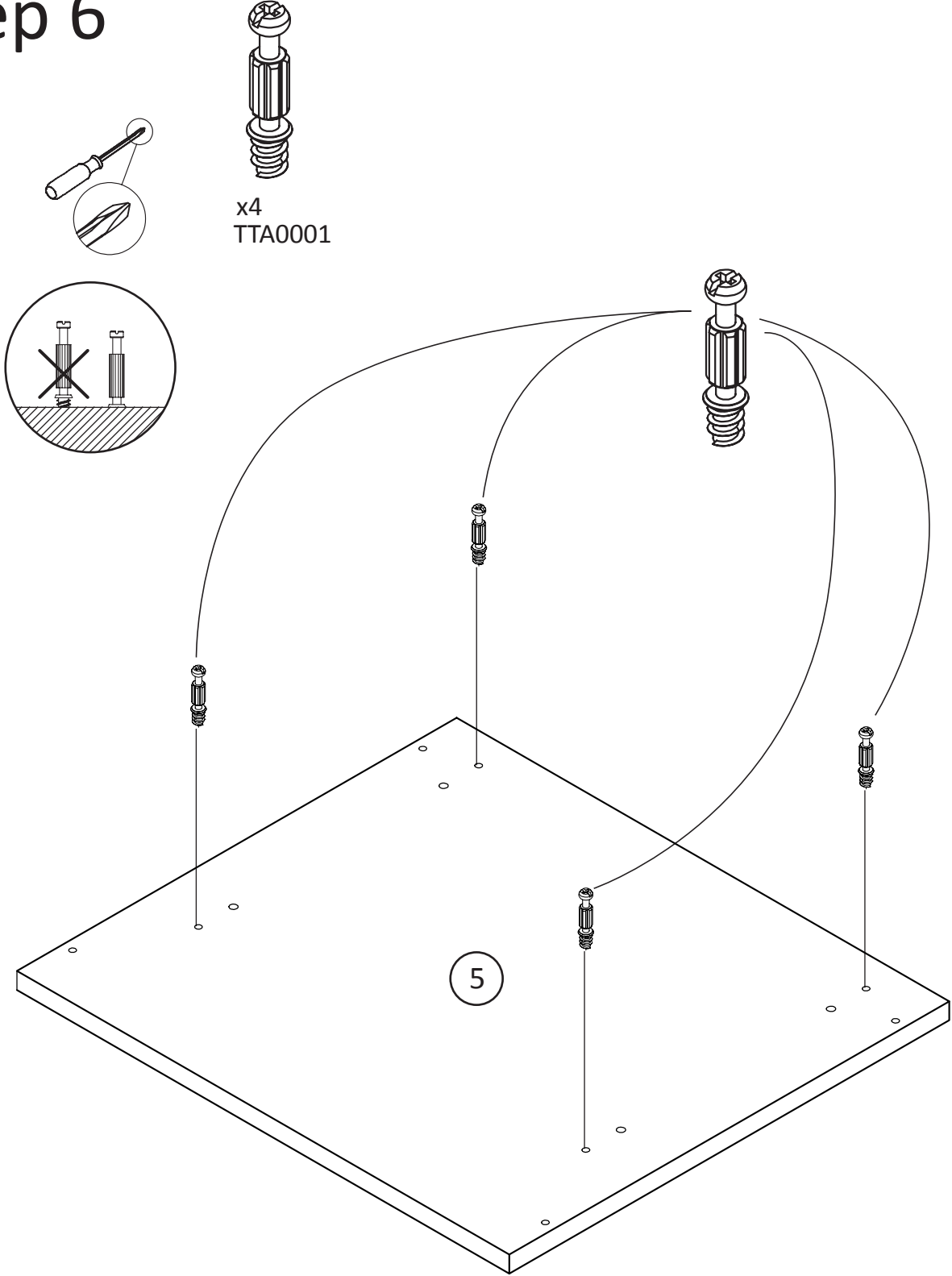
Nightstand

Step 5



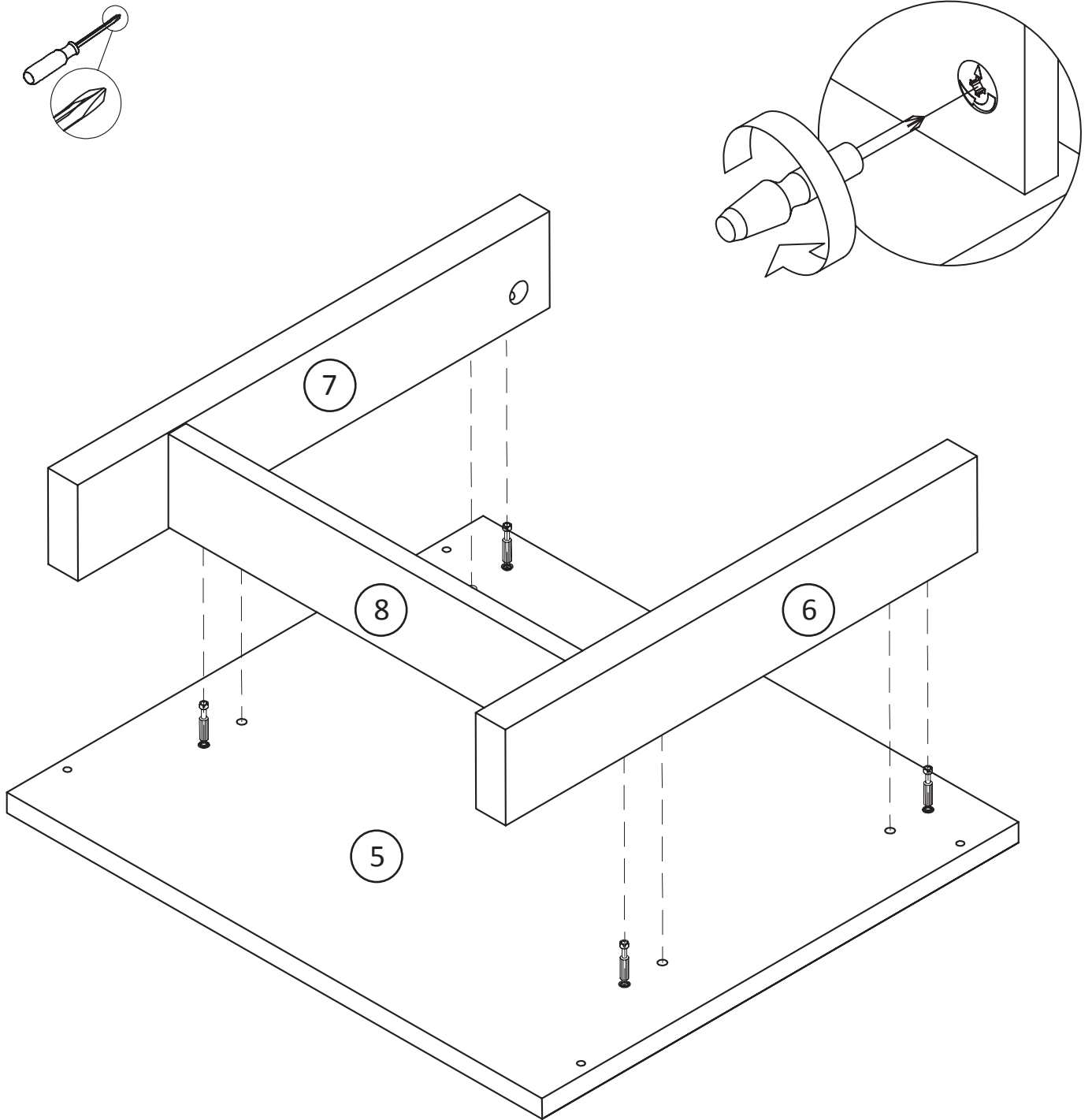
Nightstand

Step 6



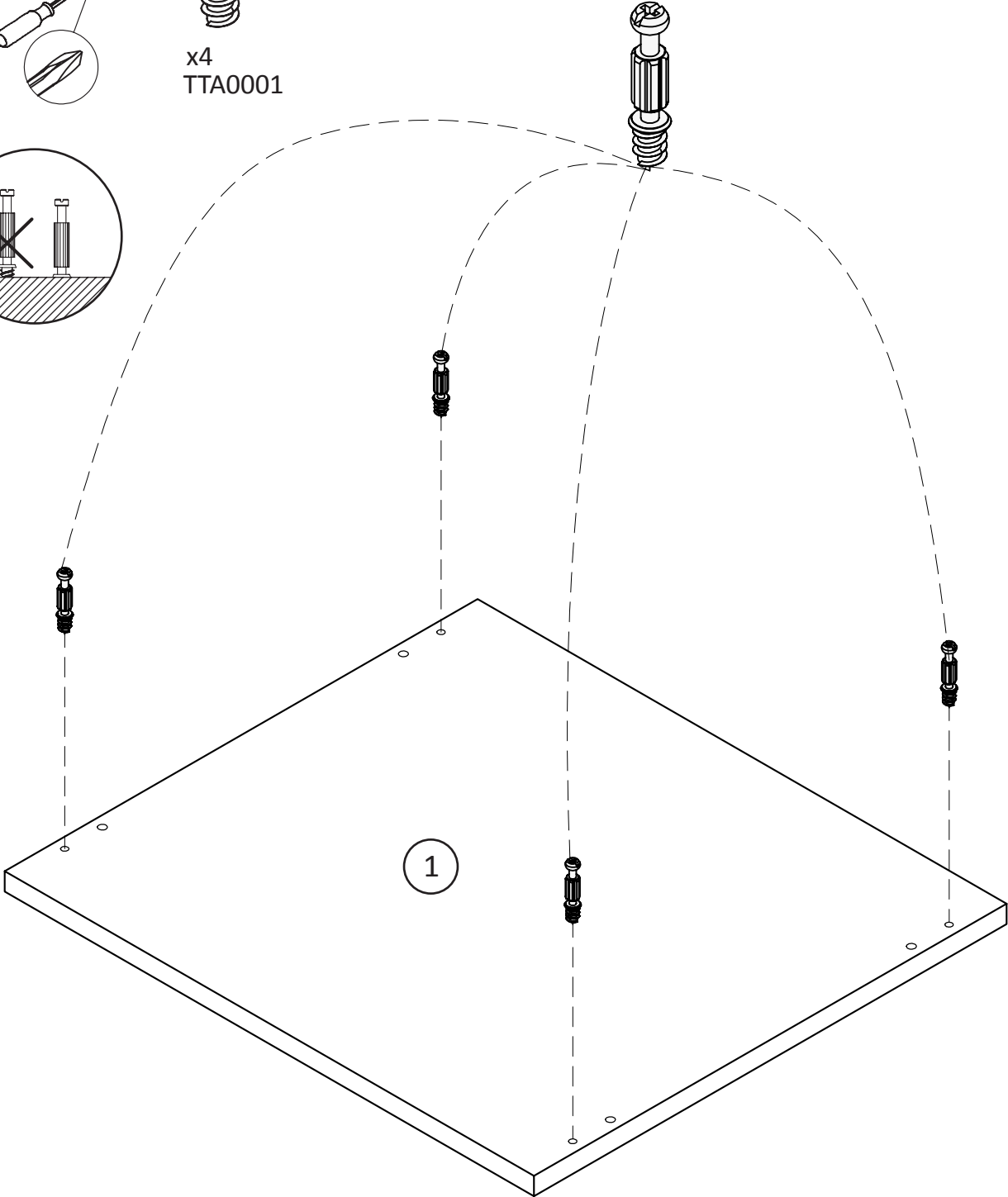
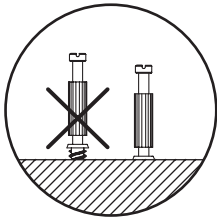
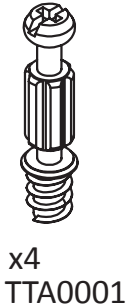
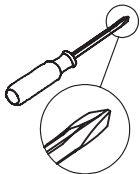
Nightstand

Step 7



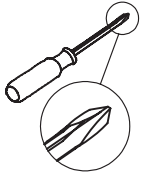
Nightstand

Step 8



Nightstand

Step 9



x2
TTA0003



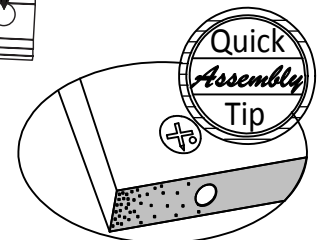
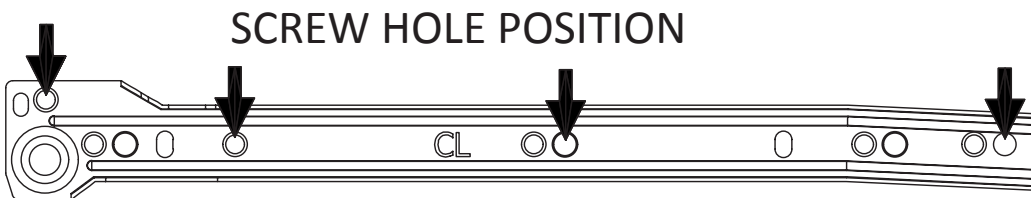
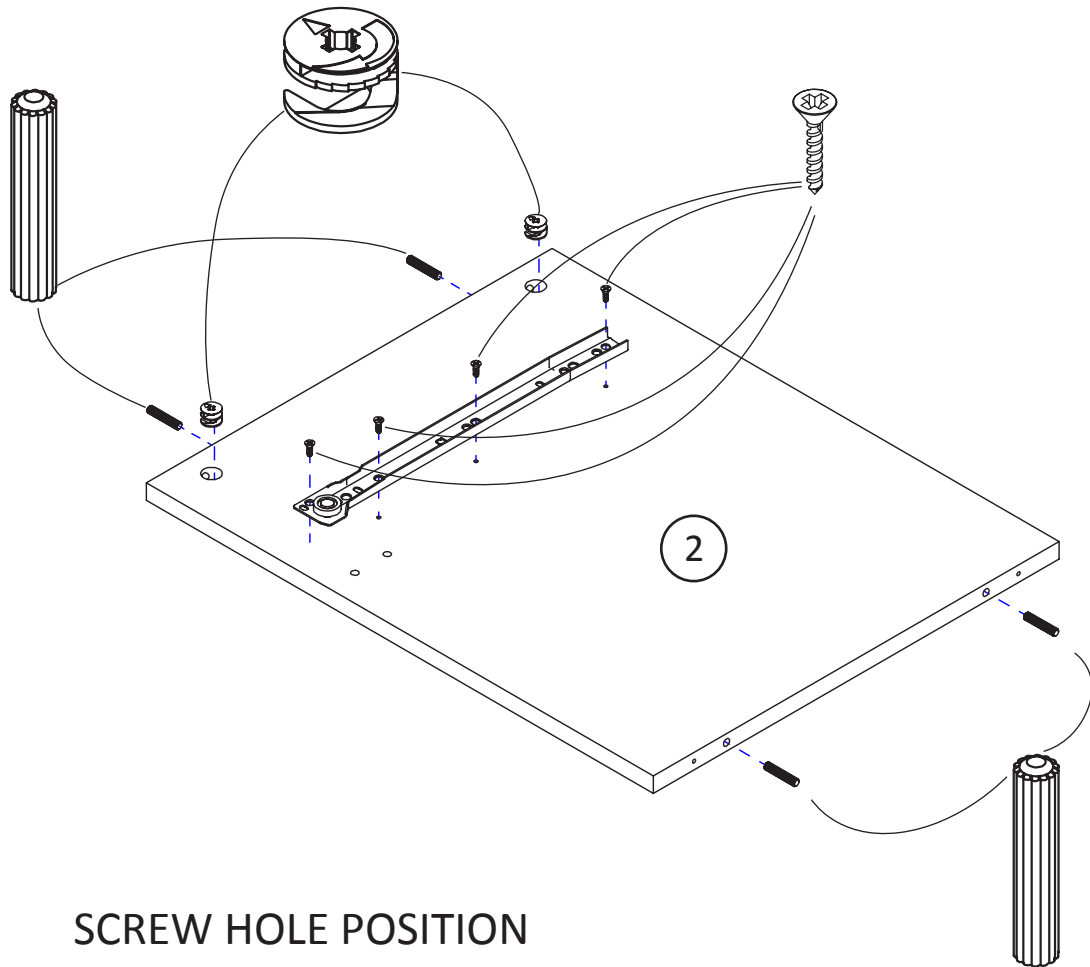
x4
TTA0005



x4
TTA0016



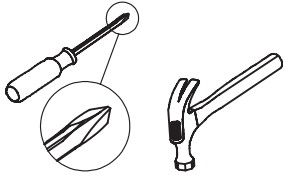
x1
TTA0033



Proper orientation of CAM LOCK

Nightstand

Step 10



x2
TTA0003



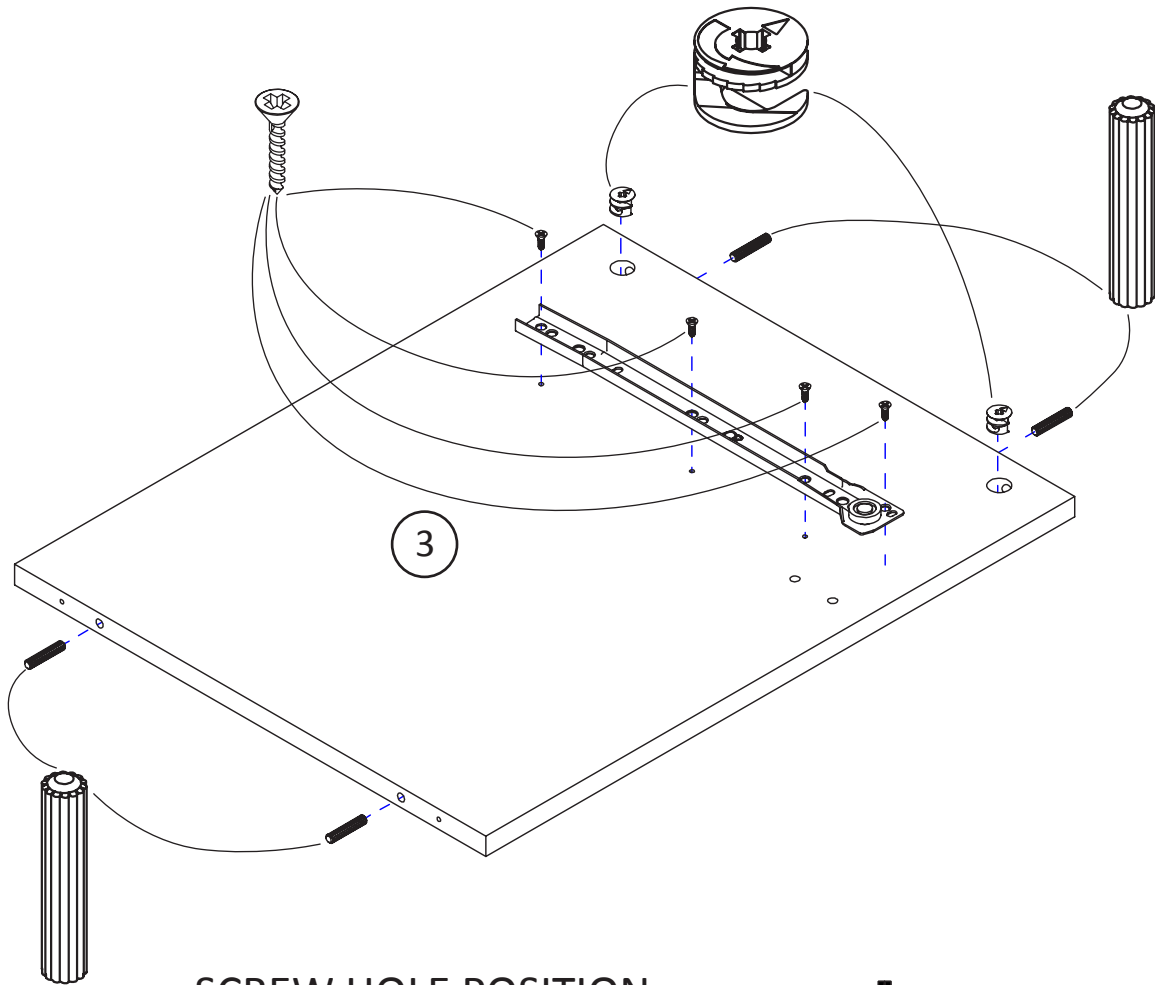
x4
TTA0005



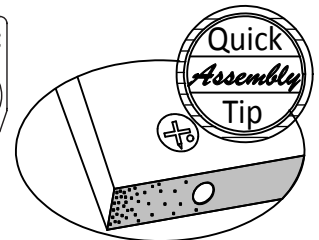
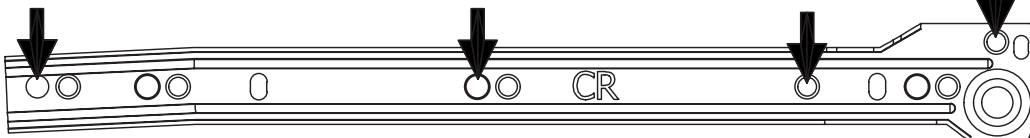
x4
TTA0016



x1
TTA0033



SCREW HOLE POSITION



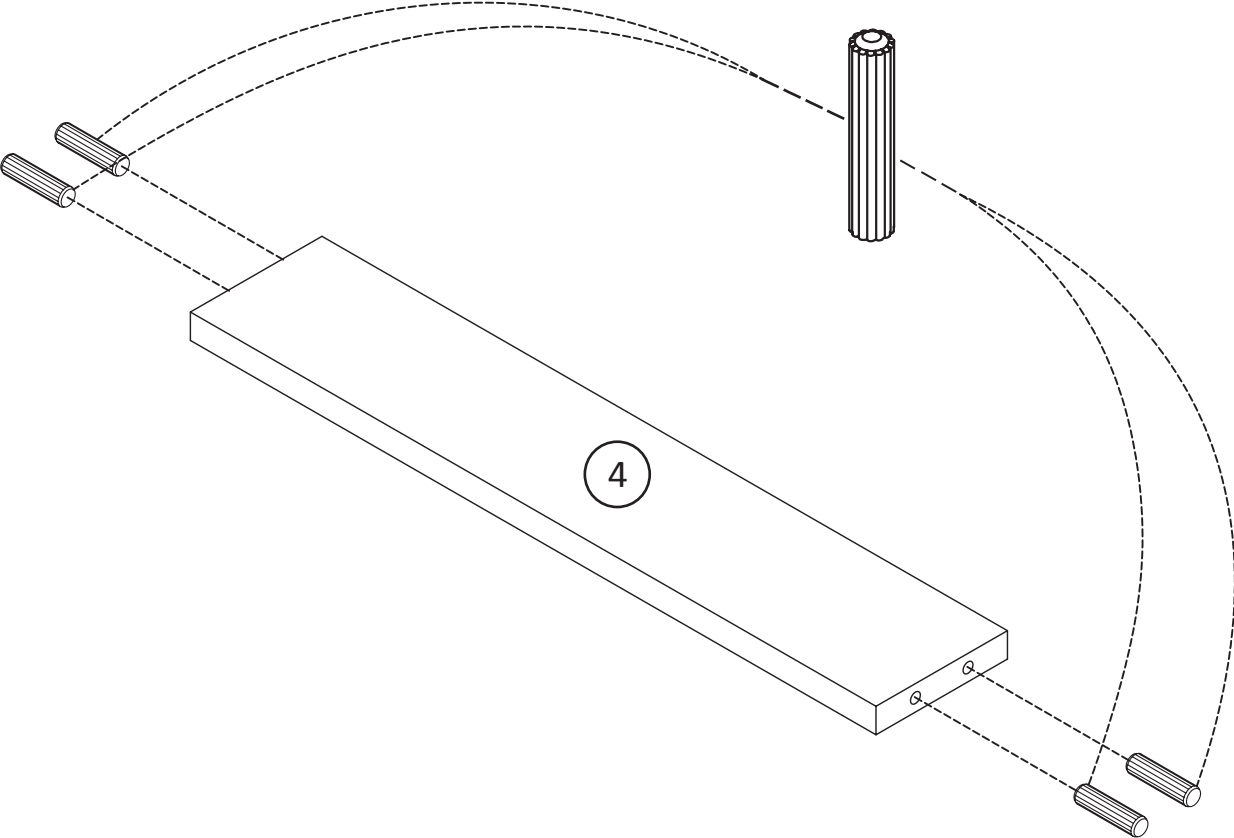
Proper orientation of CAM LOCK

Nightstand

Step 11

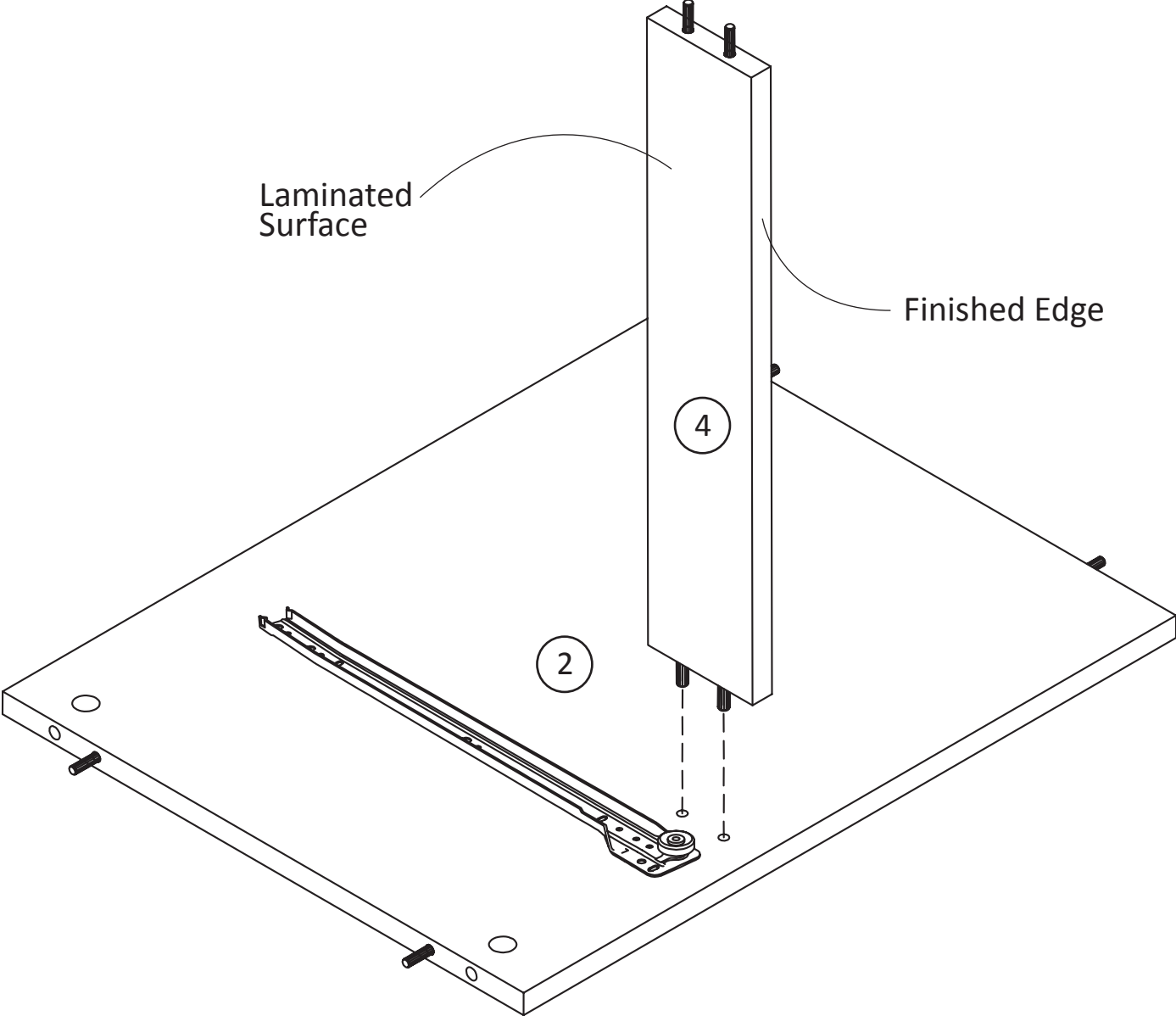


x4
TTA0016



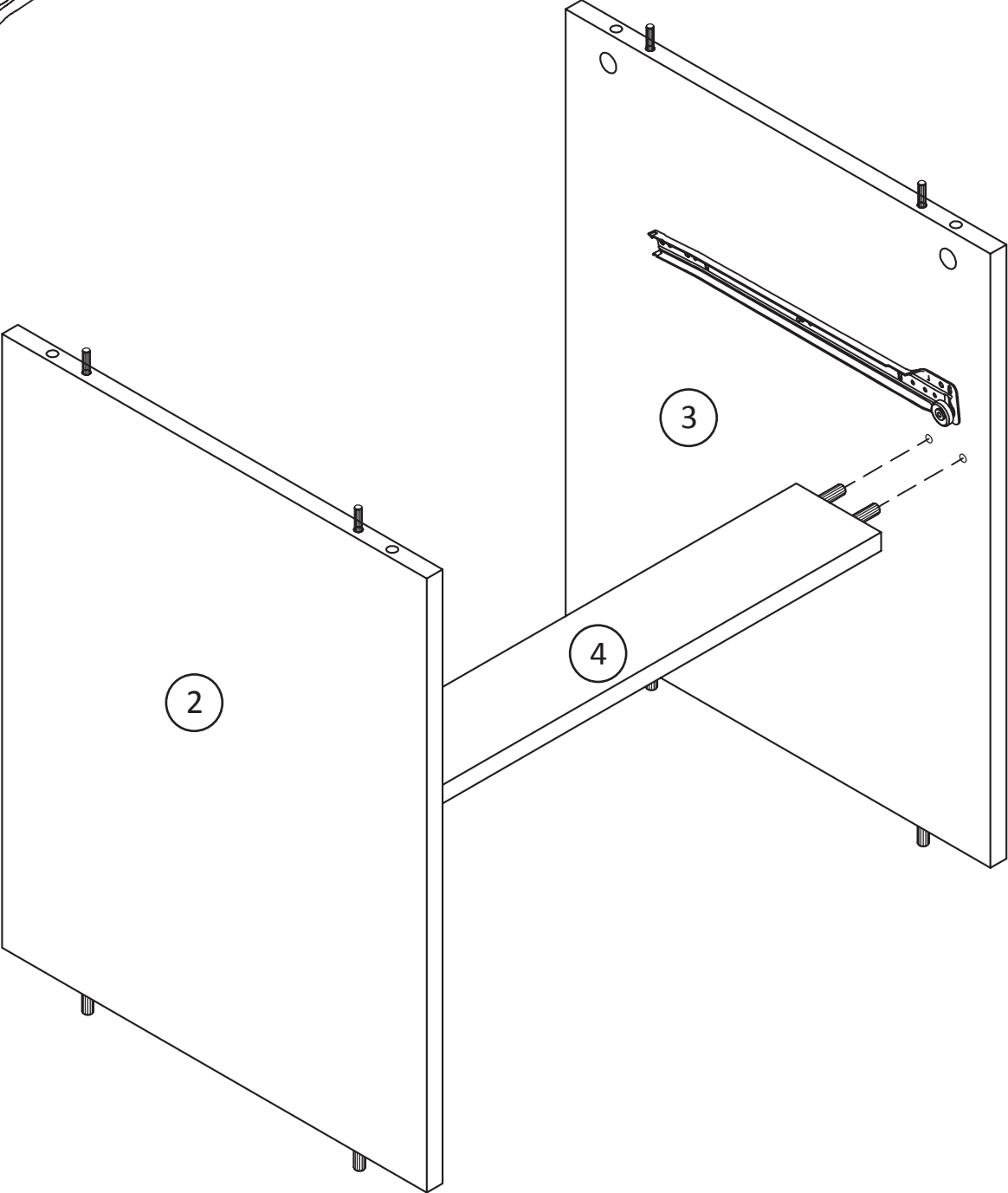
Nightstand

Step 12



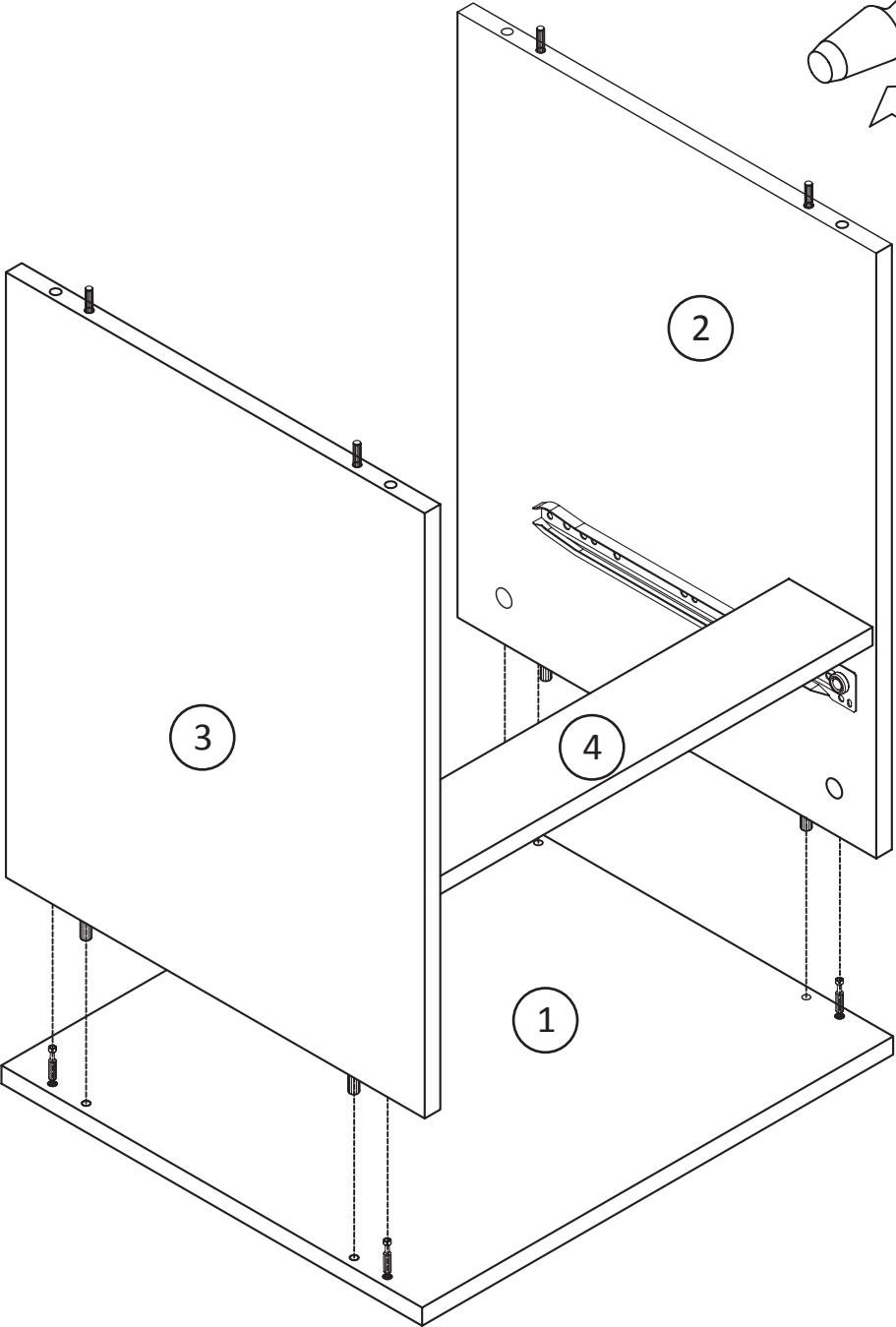
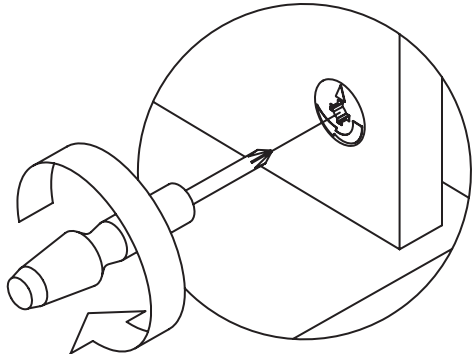
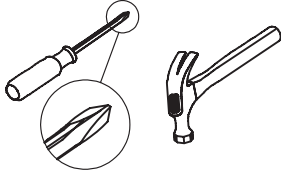
Nightstand

Step 13



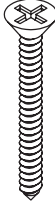
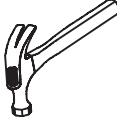
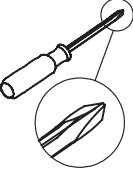
Nightstand

Step 14

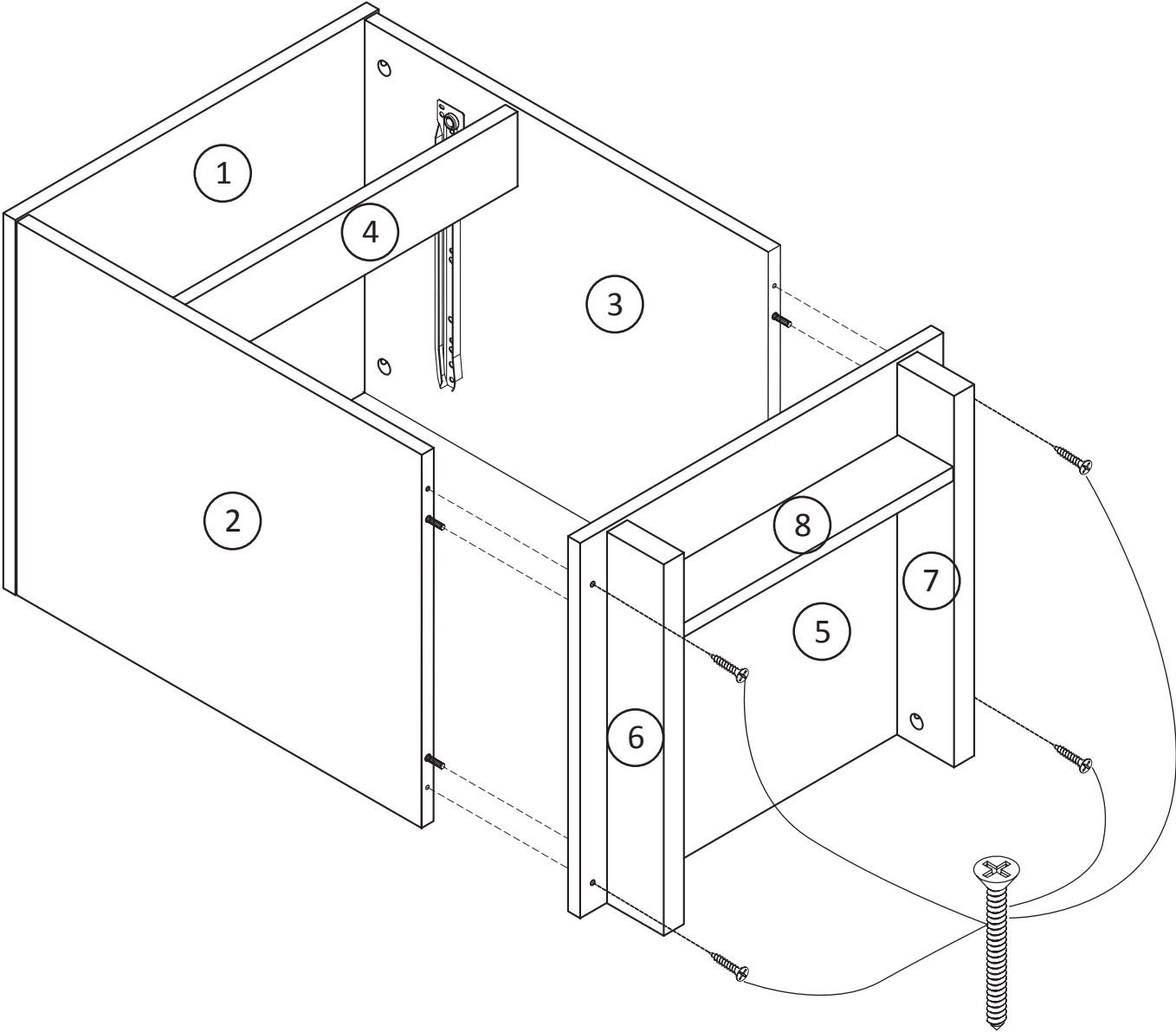


Nightstand

Step 15

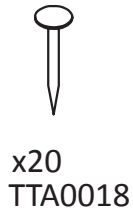


x4
TTA0010

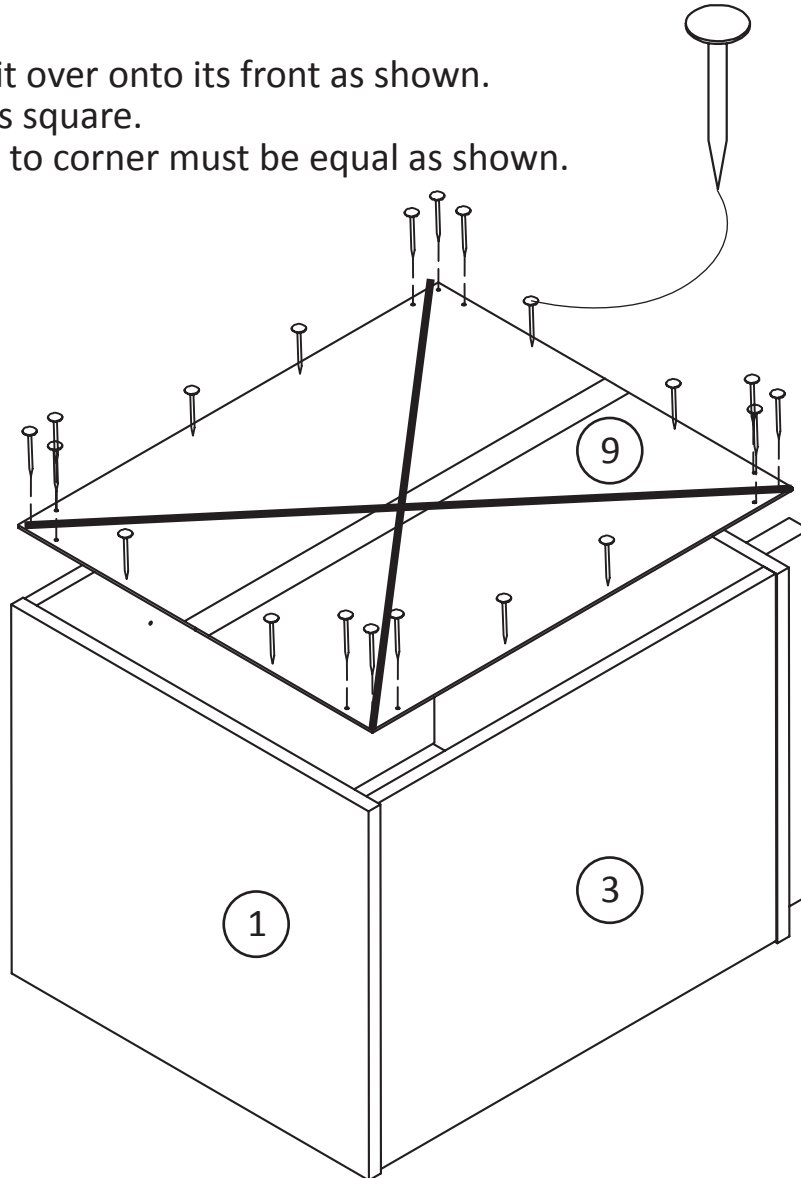


Nightstand

Step 16



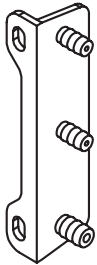
Carefully turn the unit over onto its front as shown.
Assure that the unit is square.
Distance from corner to corner must be equal as shown.



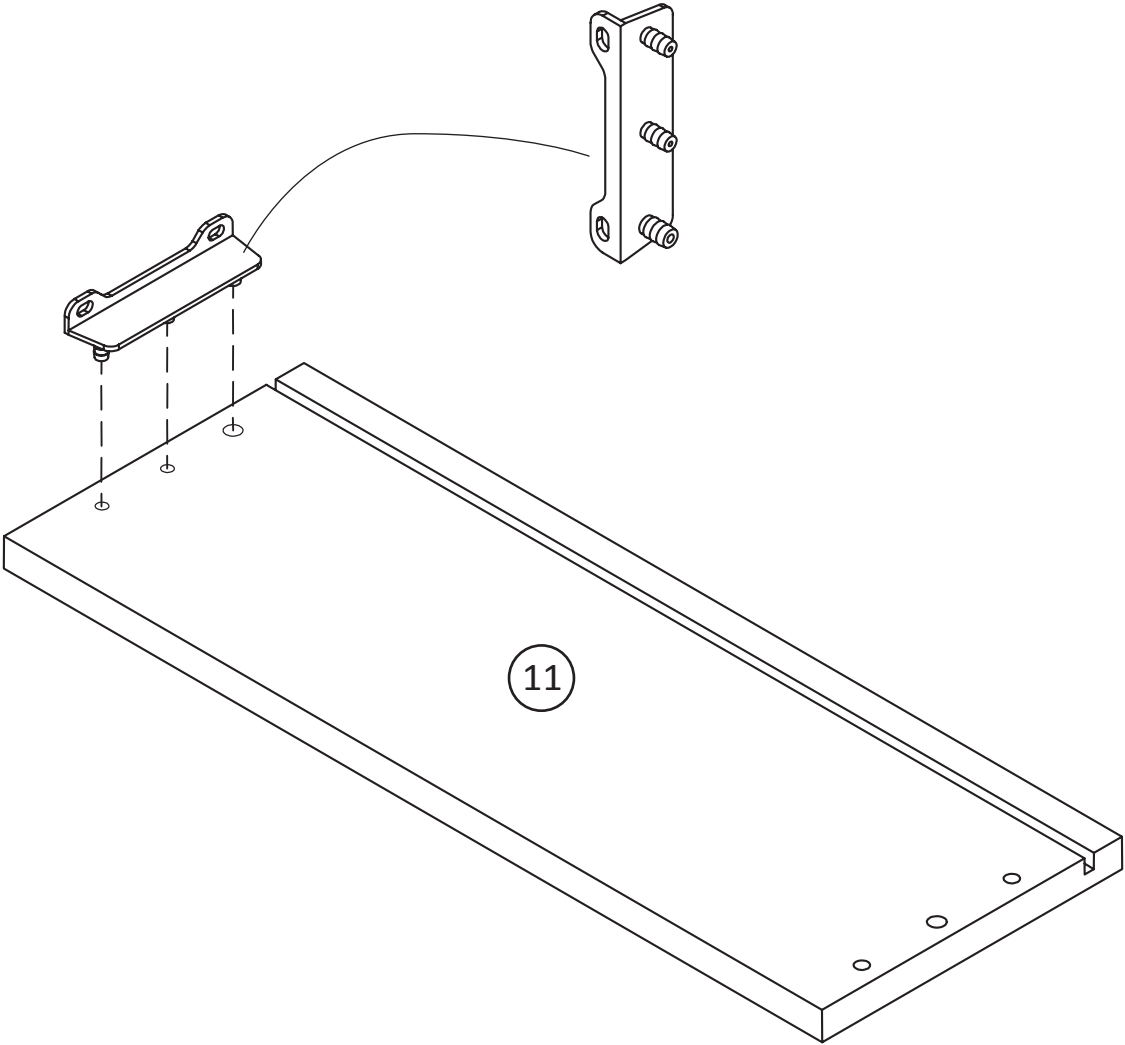
IMPORTANT! THE BACK PANEL IS A STRUCTURAL PART OF THIS UNIT AND MUST BE INSTALLED PROPERLY.

Nightstand

Step 17

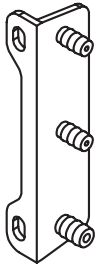


x1
TTA0028

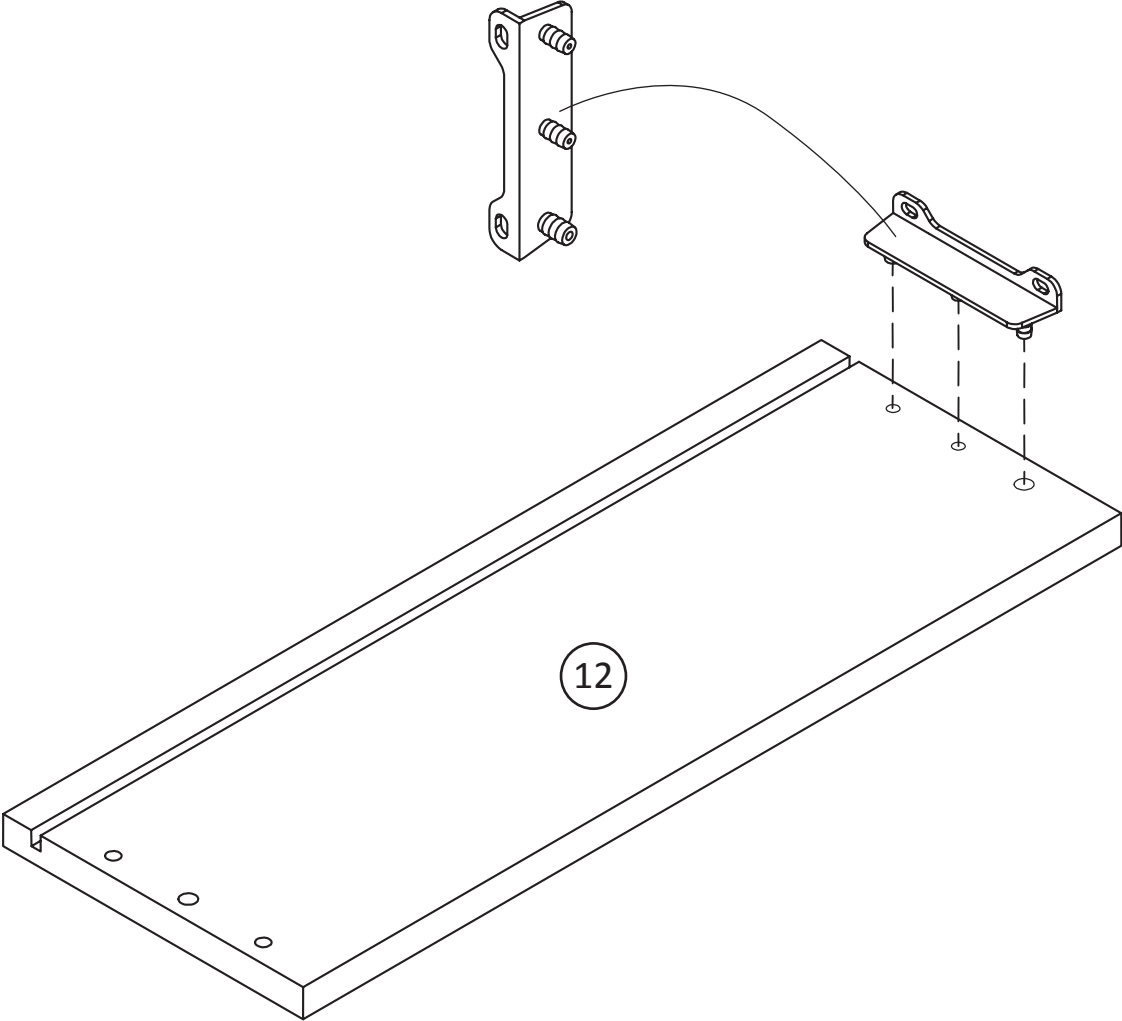


Nightstand

Step 18



x1
TTA0028

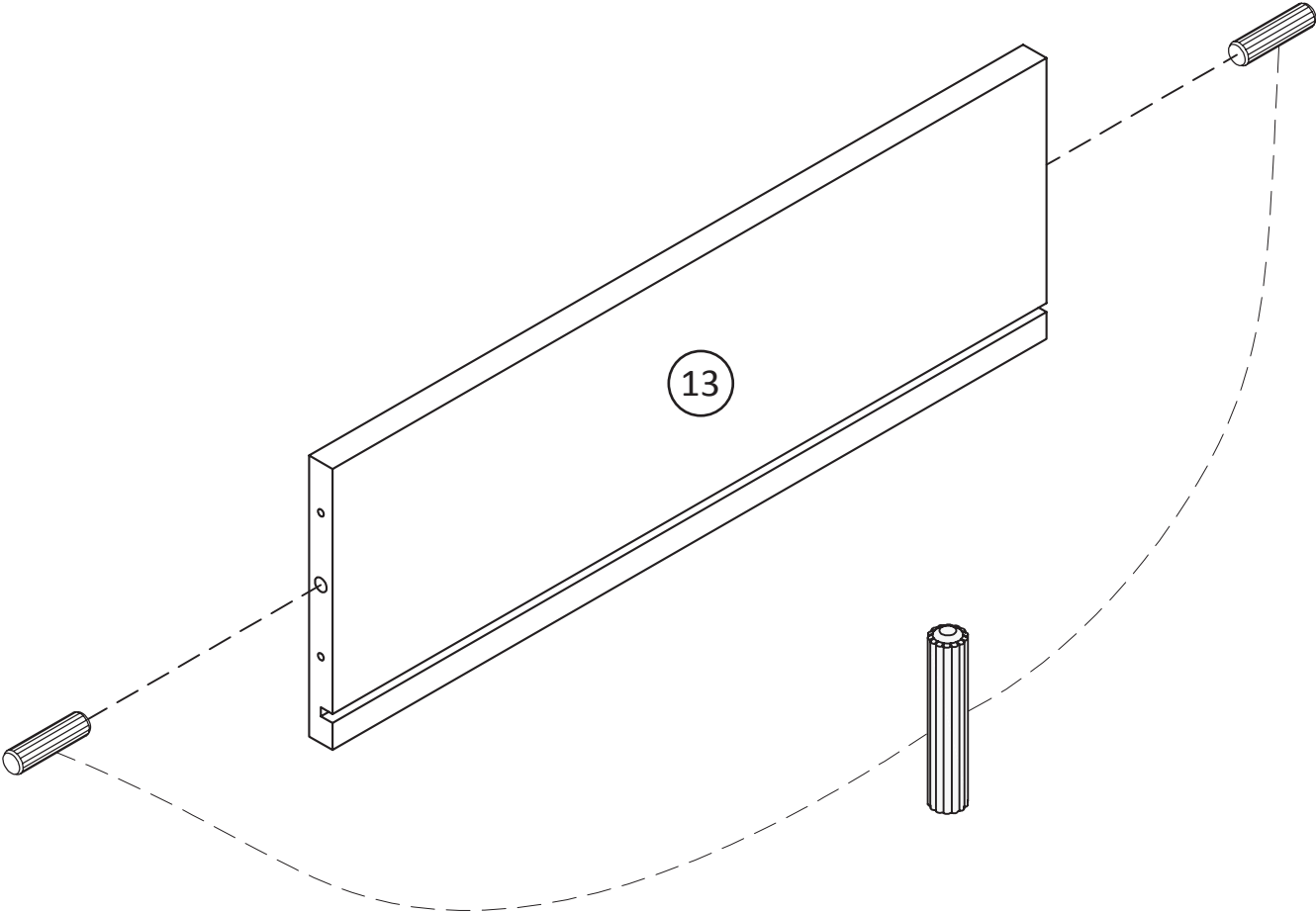


Nightstand

Step 19

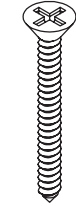
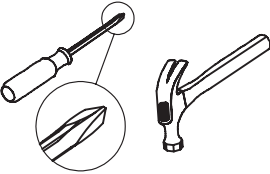


x2
TTA0016

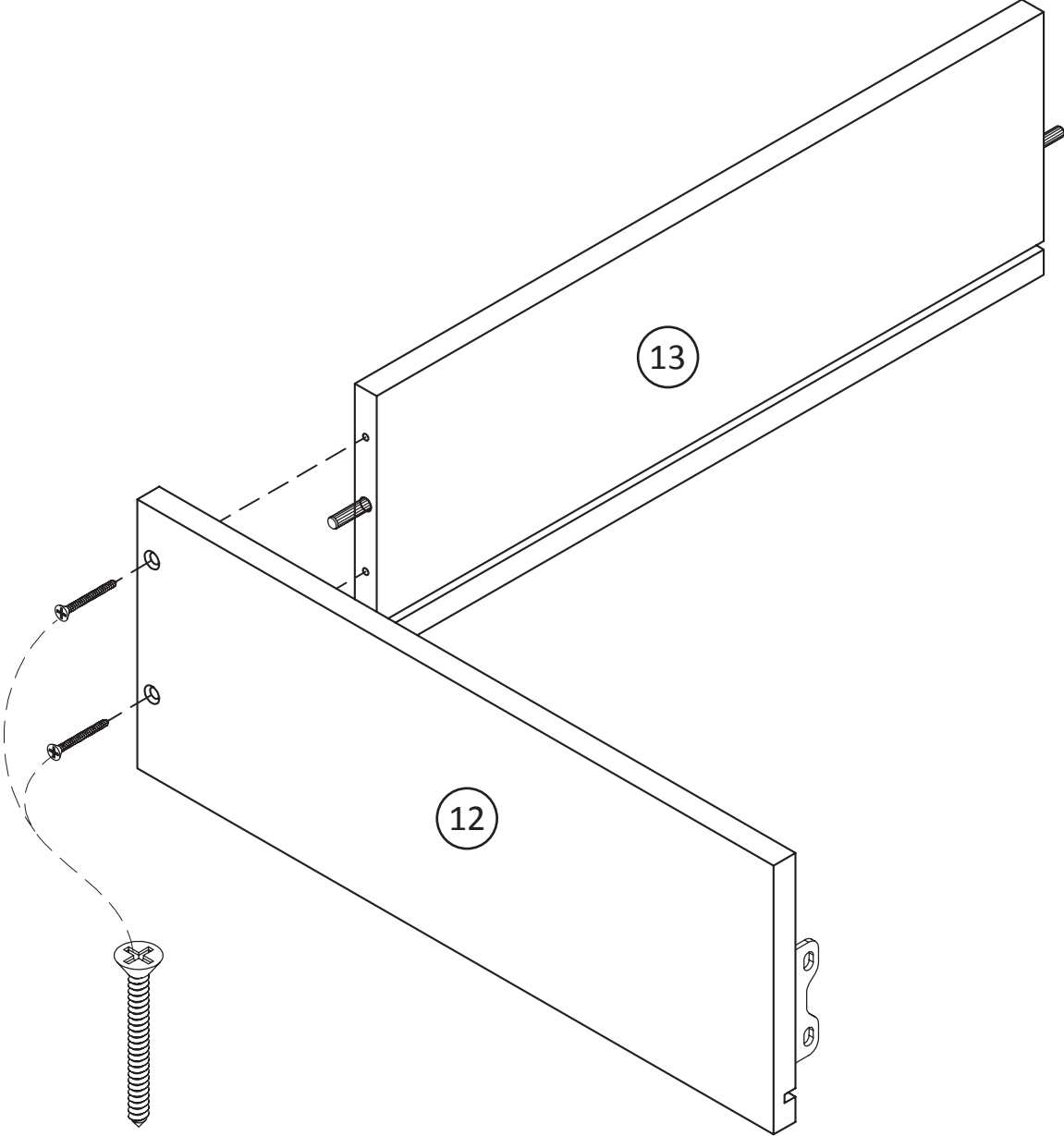


Nightstand

Step 20

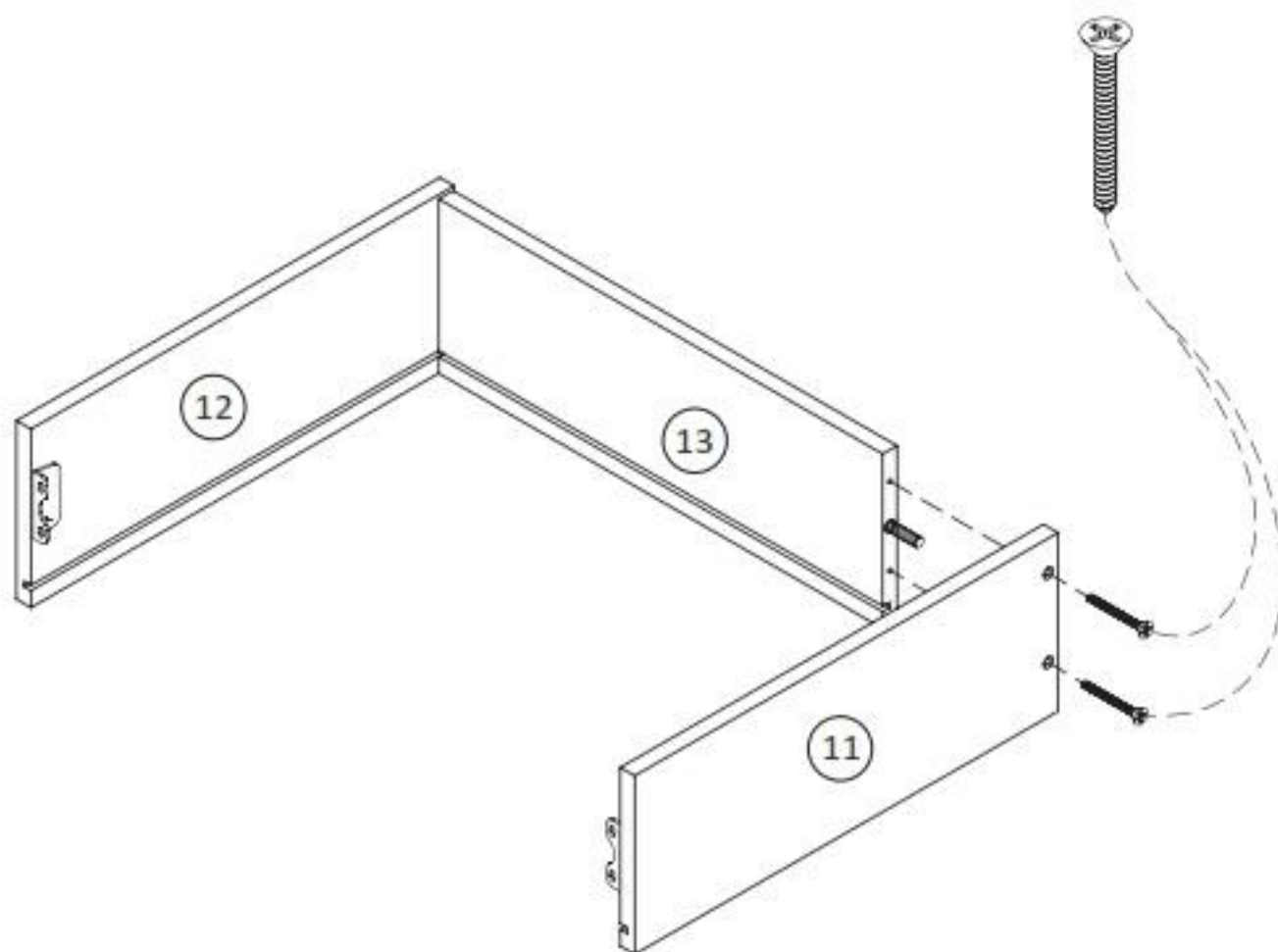


x2
TTA0010



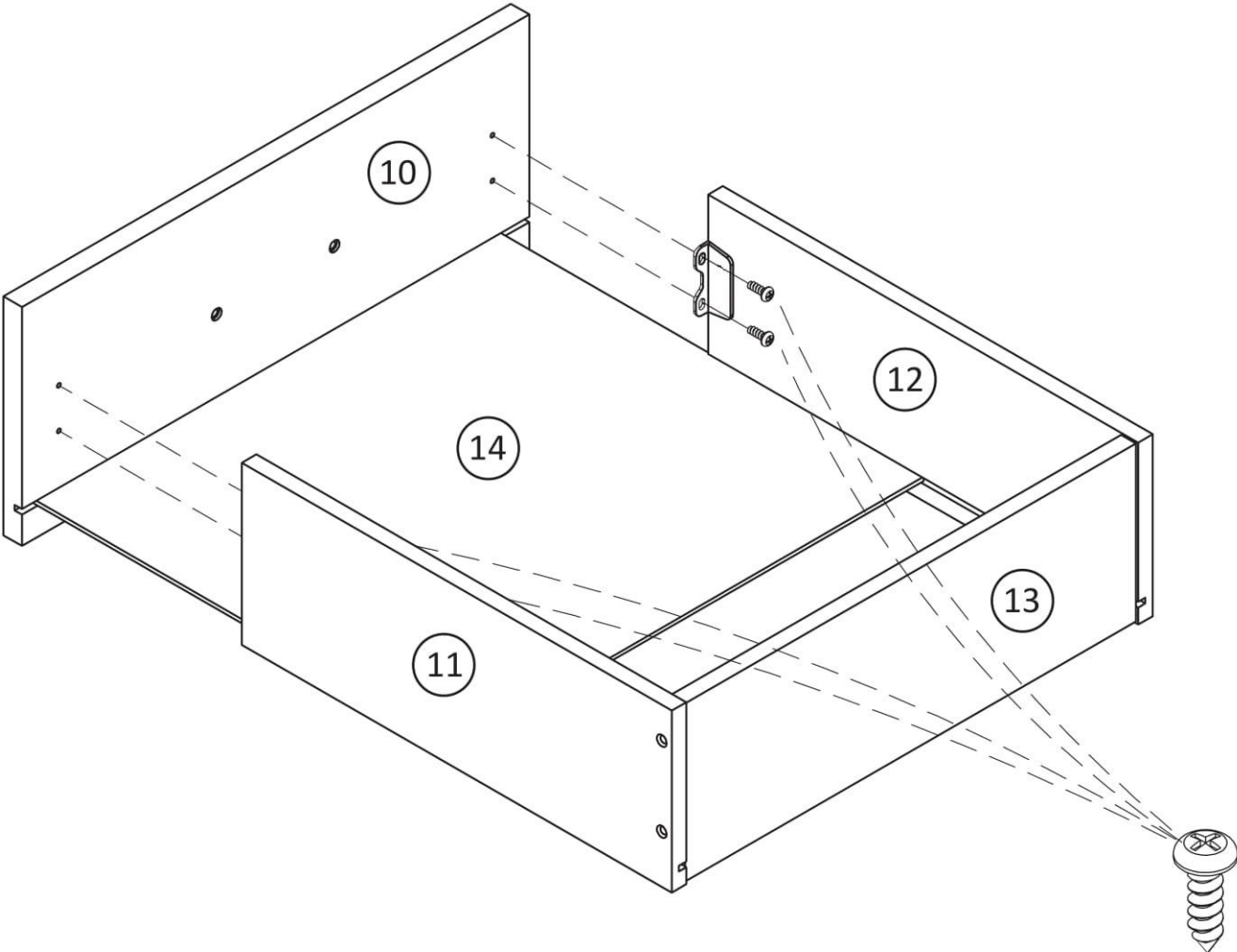
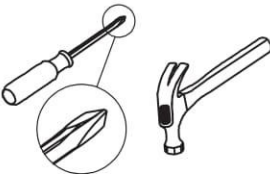
Nightstand

Step 21



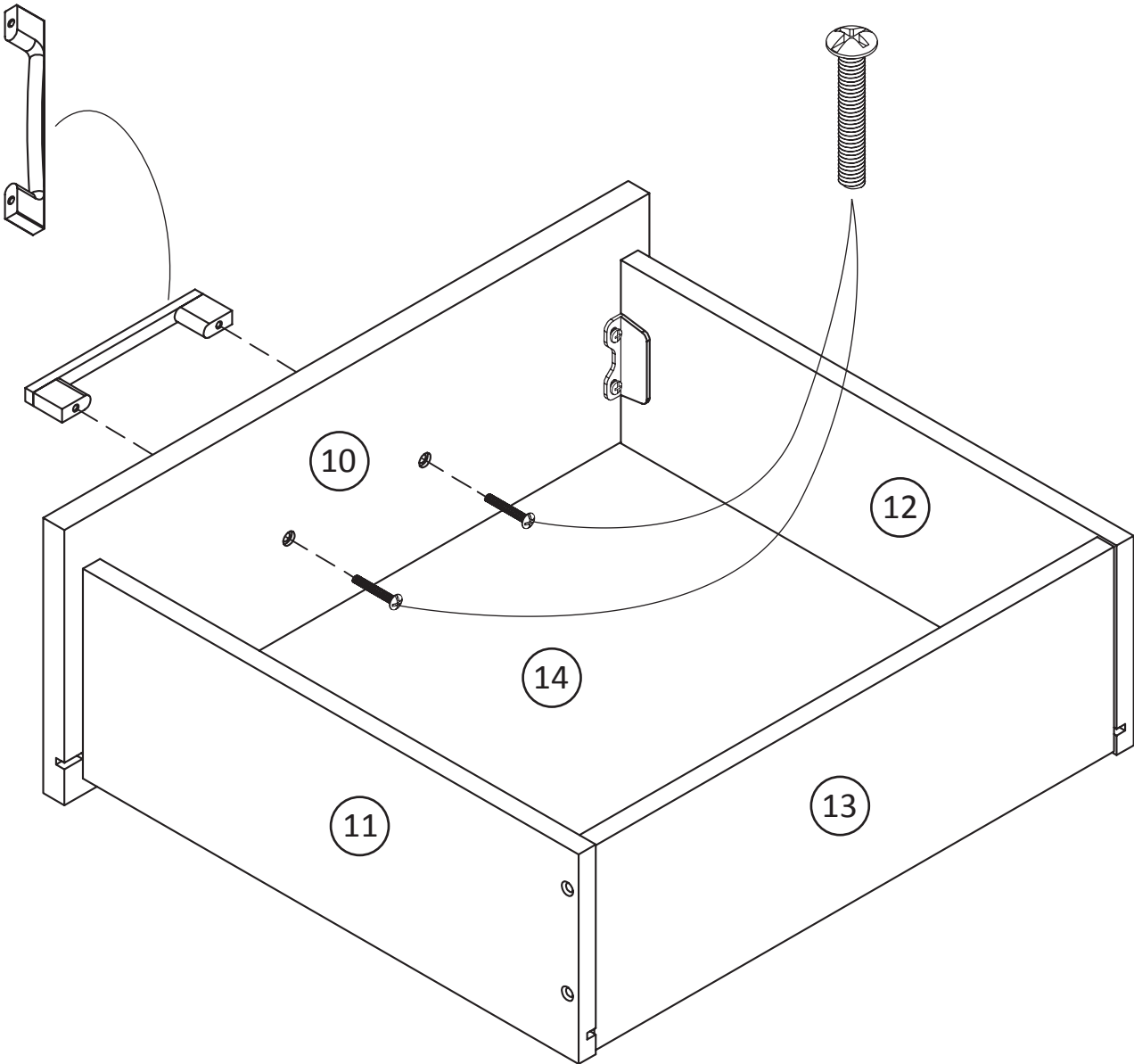
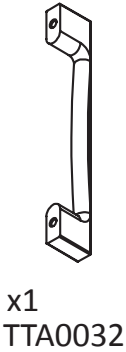
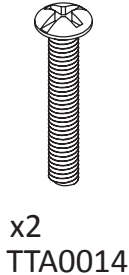
Nightstand

Step 22



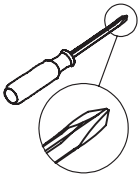
Nightstand

Step 23

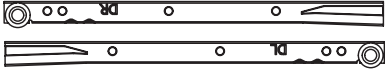


Nightstand

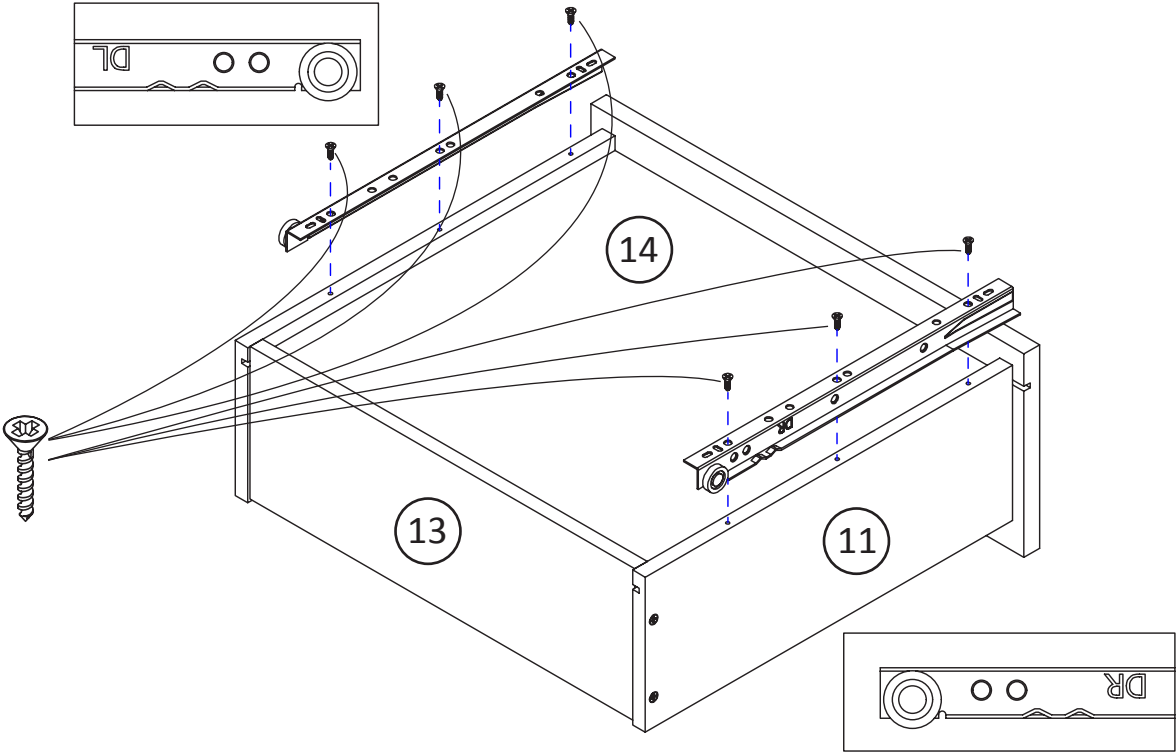
Step 24



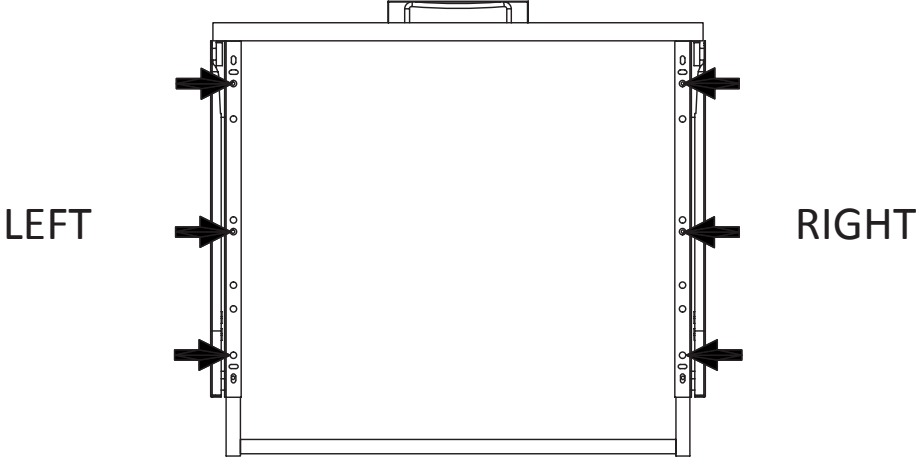
x6
TTA0005



x1 Set
TTA0033

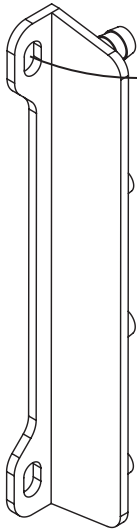
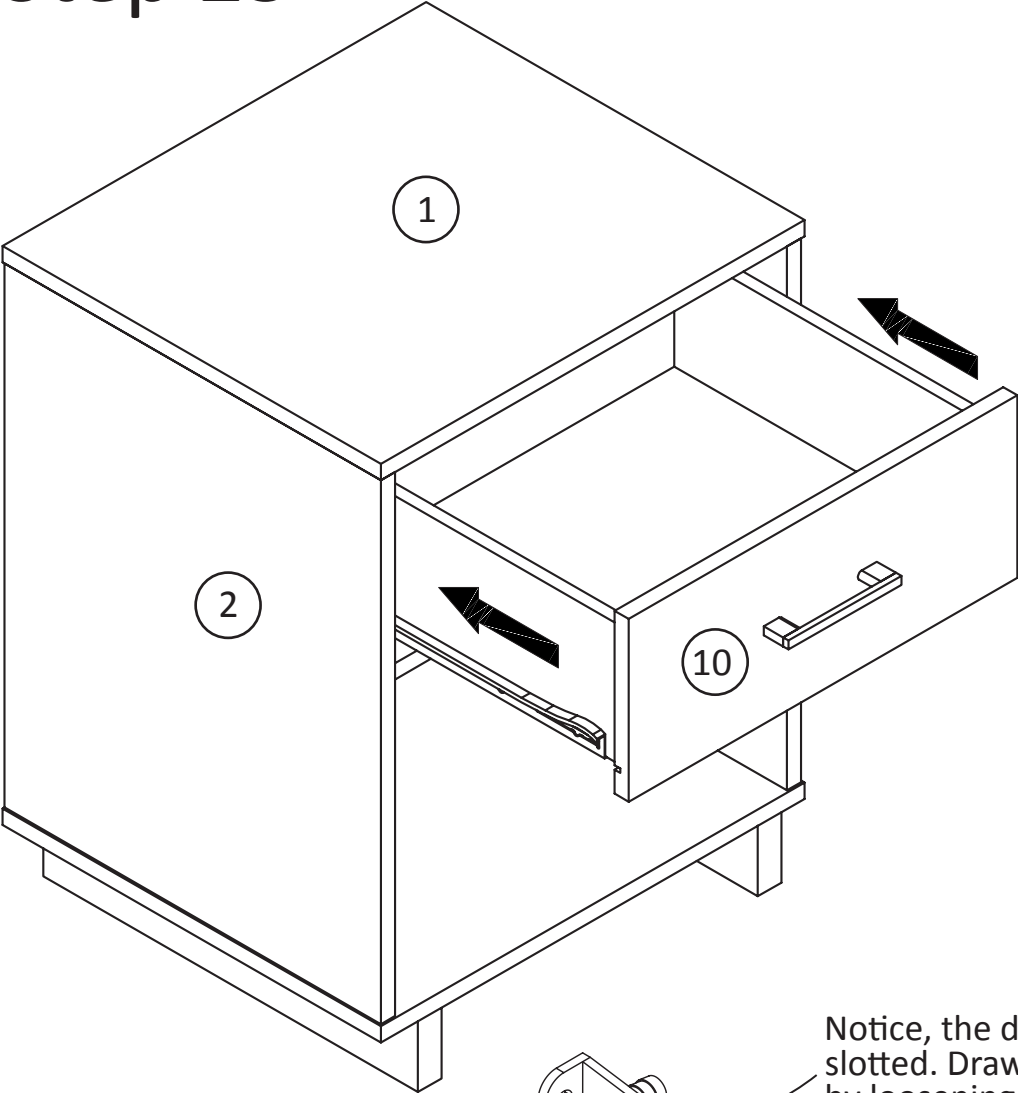


SCREW POSITION



Nightstand

Step 25

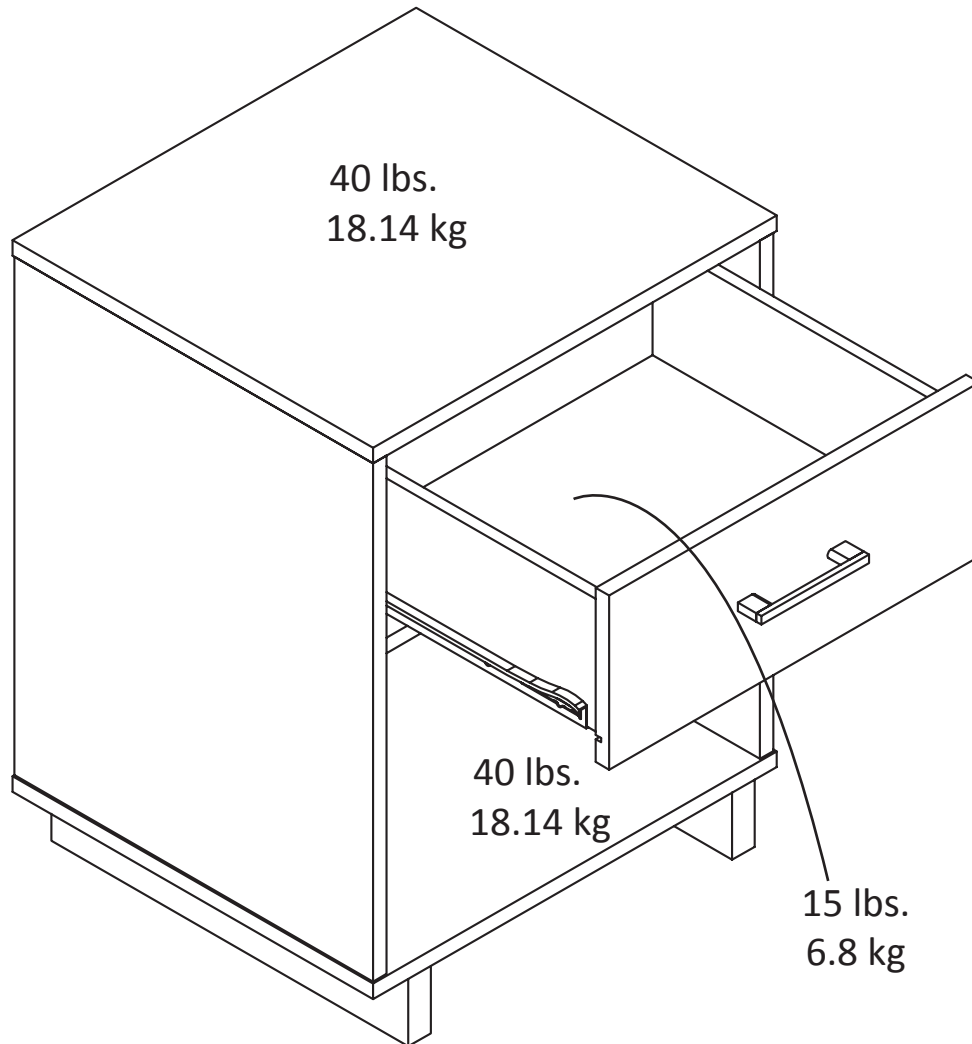


Notice, the drawer bracket holes are slotted. Drawer fronts can be adjusted by loosening screws, making needed adjustments and retightening screws.

Nightstand

MAXIMUM LOADS

This unit has been designed to support the maximum loads shown. Exceeding these load limits could cause sagging, instability, product collapse, and/or serious injury.

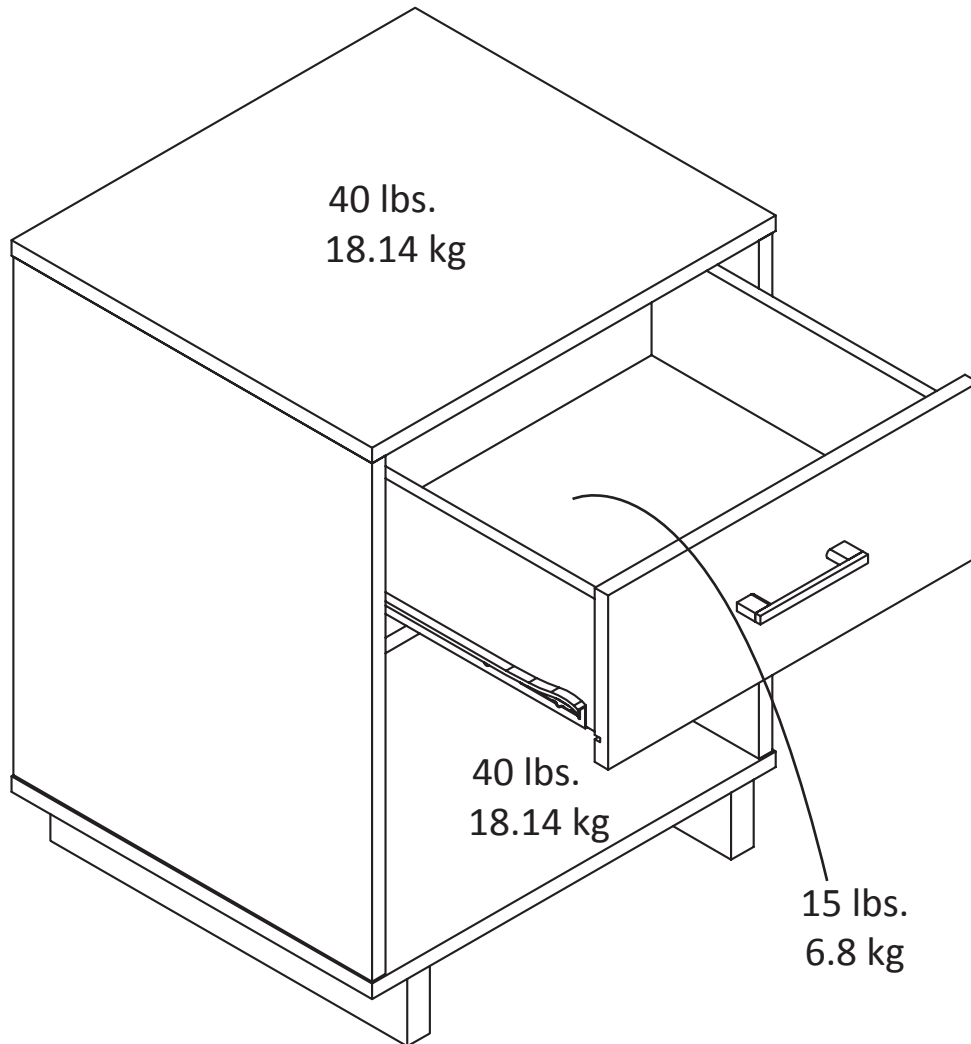


Warning: Risk of injury to persons - do not place a television on this furniture. This furniture is not approved for use with a television.

Nightstand

CARGA MAXIMA

Esta unidad ha sido diseñada para soportar la carga máxima anotada. El exceder estos límites puede causar inestabilidad, colapsarse y/o causar serias lesiones.

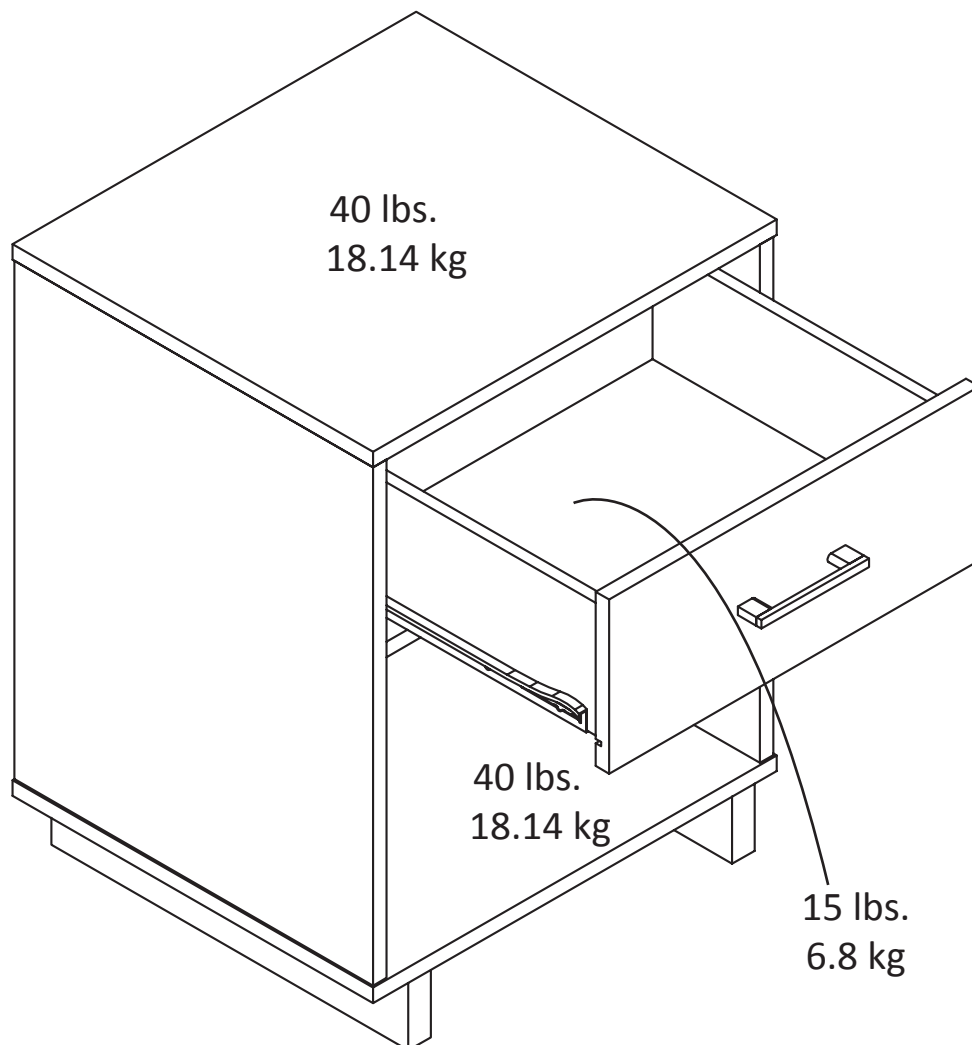


ADVERTENCIA: Riesgo de lesiones a las personas - no coloque un televisor sobre muebles. Este mueble no está aprobado para su uso con un televisor.

Nightstand

CHARGES MAXIMALES

Ce meuble a été conçu pour supporter les charges maximales indiquées. En excédant ces limites de charge, le meuble pourrait devenir instable, s'effondrer, et/ou causer des blessures graves.



AVERTISSEMENT : Risque de blessure corporelle - ne pas placer une télévision sur ce meuble. Ce meuble n'est pas approuvé pour une utilisation avec une télévision.

Nightstand

Certificate of Conformity

1. This certificate applies to our product identified by this instruction manual.
2. This certificate applies to compliance of this product with the CPSC Ban on Lead-Containing Paint (16 CFR 1303).
3. See front page of instruction manual for date of manufacture.

Certificado de Conformidad

1. Este certificado se aplica a nuestro producto identificado por este manual de instrucciones.
2. Este certificado se aplica a la conformidad de este producto con la prohibición de la CPSC sobre pintura que contiene plomo (16 CFR 1303).
3. Vea la primera página del manual de instrucciones para la fecha de fabricación.

Certificat de Conformité

1. Ce certificat s'applique à notre produit identifié par ce manuel d'instructions.
2. Ce certificat s'applique à la conformité de ce produit à l'interdiction de la CSPC relative à la peinture contenant du plomb (16 CFR 1303).
3. Voir la page d'accueil du manuel d'instructions pour la date de fabrication.

Register your product to receive the following:



- * New trend details -sneak peek on what's new
- * Surveys -have a voice within our community
- * Exclusive deals and discount codes
- * Quick and easy replacement part service

5 Star Rating



Visit your local retailer's website, rate your purchased product and leave us some feedback!

We would like to extend a big "Thank You" to all of our customers for taking the time to assemble this product, and to give us your valuable feedback.

Thank You!

Registre su producto para recibir lo siguiente:



- * Detalles de nuevas tendencias -Vistazo a lo nuevo
- * Encuestas -alec su voz entre su comunidad
- * Códigos de ofertas y descuentos exclusivos
- * Fácil y rápido servicio de partes de remplace

m

Clasificación de 5 estrellas



Visite el sitio web de su tienda local, califique su comprado y denos sus comentarios!

Nos gustaría enviar un gran "Agradecimiento" a todos nuestros clientes por tomarse el tiempo de ensamblar este producto de Seeds, y pordarnos sus valiosos comentarios.

Gracias

Enregistrez votre produit pour recevoir les éléments suivantes:



- * Détails sur les nouvelles tendances -un aperçu sur les nouveautés
- * Sondages -avoir une voix au sein de notre communauté
- * Offres exclusives et codes promo
- * Service de pièces de rechange rapide et facile

5 Étoiles



Visitez le site Web de votre détaillant local, évaluez votre produit acheté et laissez-nous quelques commentaires !

Nous tenons à offrir un grand "Merci" à tous nos clients pour avoir pris le temps d'assembler ce produit, et de nous donner vos commentaires précieux.

Merci!