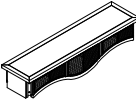

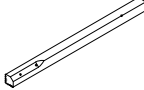






# ASSEMBLY INSTRUCTION

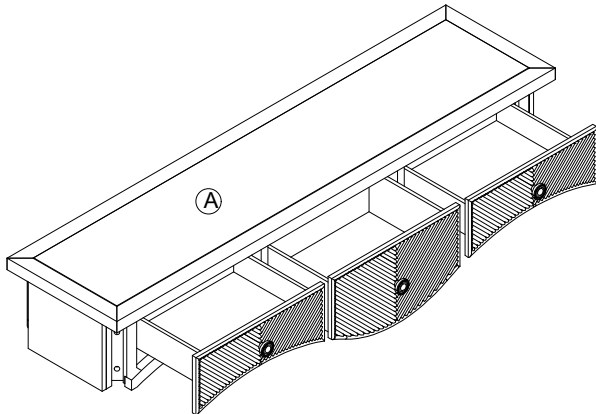
## CONSOLE TABLE

Thank you for purchasing this quality product. Be sure to check all packing material carefully for small parts which may have come loose inside the carton during shipment. Separate, identify and count all parts and metal hardware. Compare with parts list to be sure all parts are present. If any part(s) are missing or damaged, please contact your local furniture dealer. For efficient and speedy service, please indicate the model number and code letter of part(s) needed.

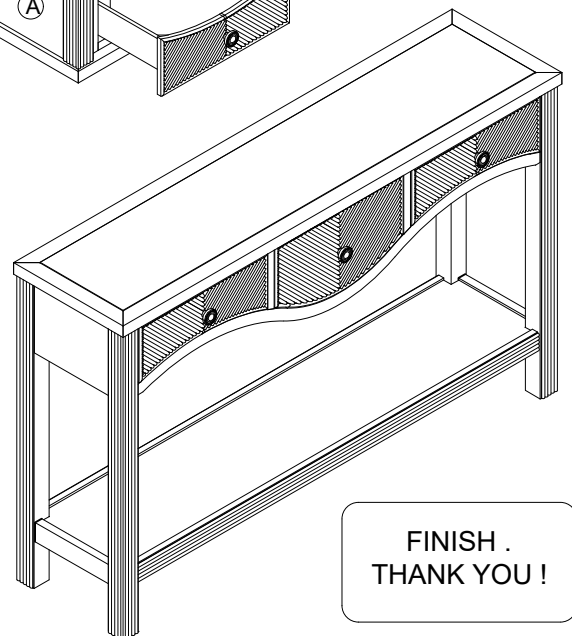
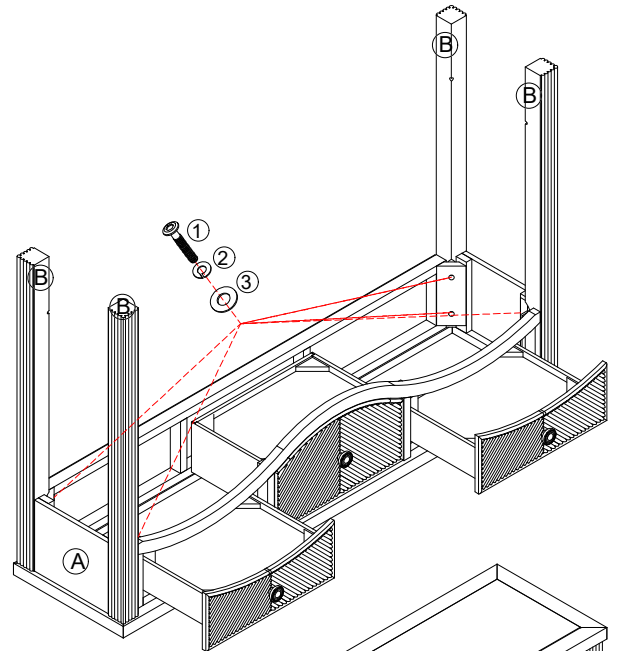
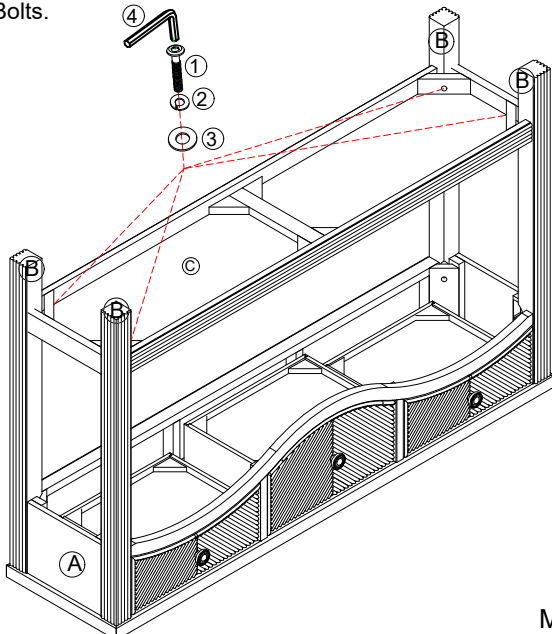
\*\*\* Do not fully tighten bolts until fully assembled \*\*\*

No.	COMPONENT LIST	Q'ty	No.	COMPONENT LIST	Q'ty
A	 TABLE TOP	1pc	C	 SHELF	1pc
B	 LEGS	1pc			
No.	HARDWARE LIST	Q'ty	No.	HARDWARE LIST	Q'ty
1	 Bolts 1/4x2"	12pcs	3	 Flat Washer 1/4"	12pcs
2	 Lock Washer 1/4"	12pcs	4	 Allen key K4	1pc

**Step 1:** Assembly Handle (Handle in Drawer). Then connect Leg (B) into Table Top (A). Use Bolt (1), Lock washer and Flat washer. Do not fully tighten



**Step 2:** Assembly (C) into (B). Then use Bolts (1), Lock washers (2), Flat washers (3). Use Allen key (4) fully tighten all Bolts.



FINISH .  
THANK YOU !

MADE IN VIETNAM