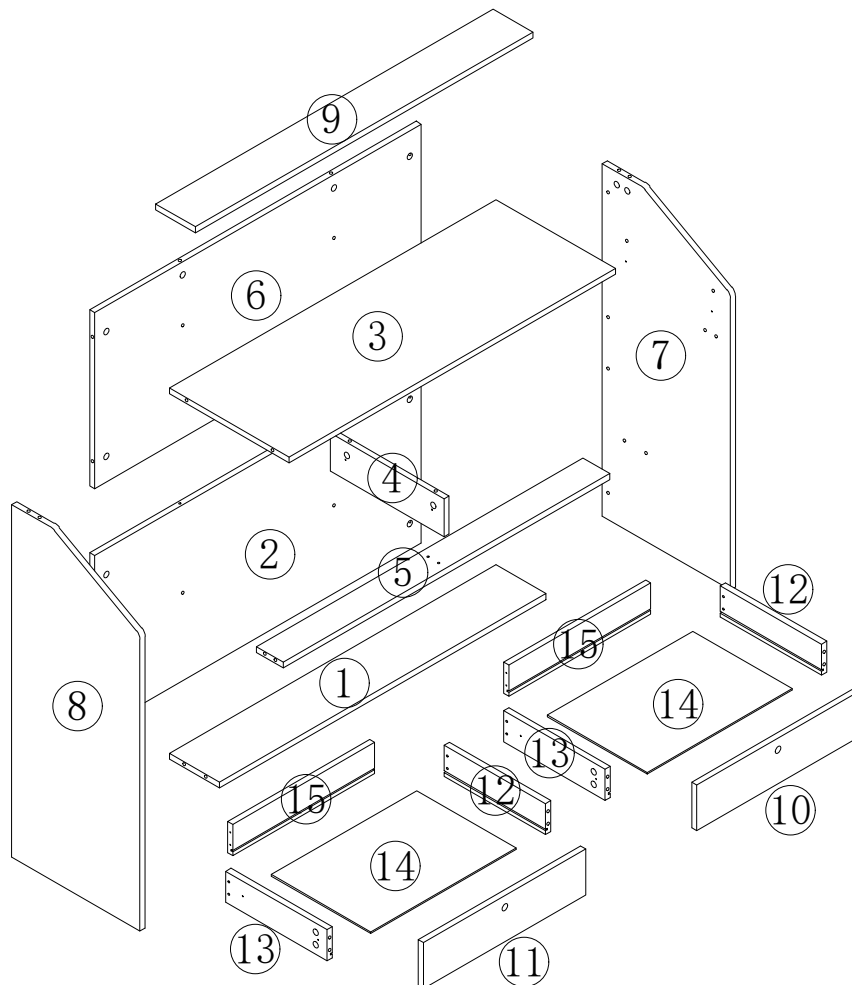
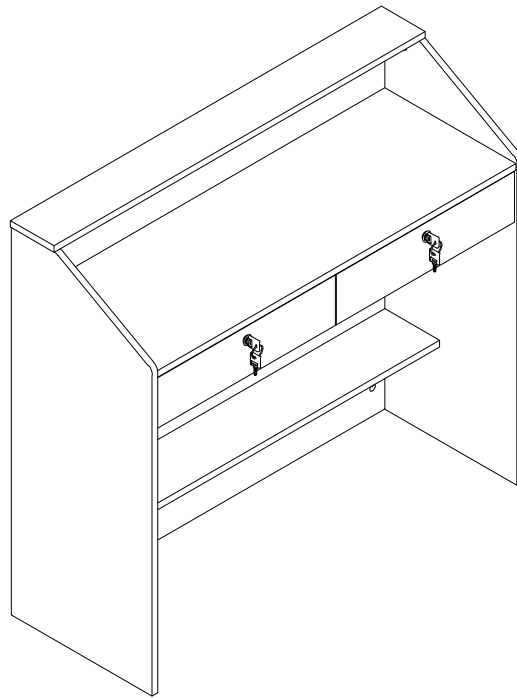


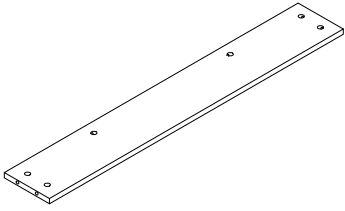
ASSEMBLY INSTRUCTION



ASSEMBLY INSTRUCTION

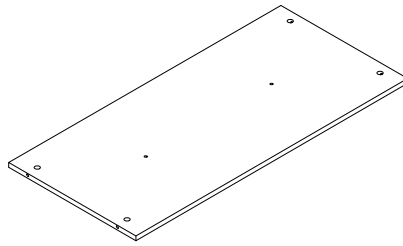
①

1PC



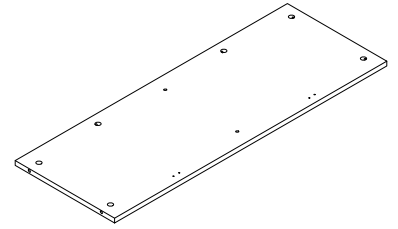
②

1PC



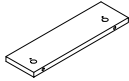
③

1PC



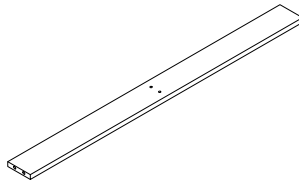
④

1PC



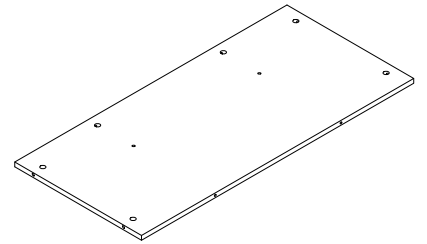
⑤

1PC



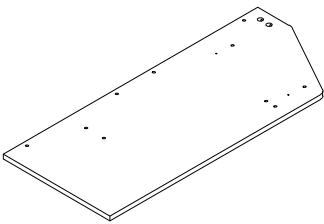
⑥

1PC



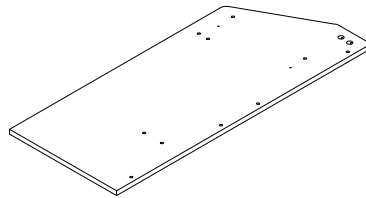
⑦

1PC



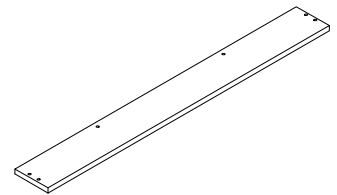
⑧

1PC



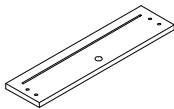
⑨

1PC



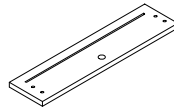
⑩

1PC



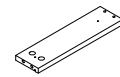
⑪

1PC



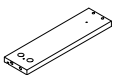
⑫

2PCS



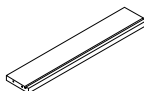
⑬

2PCS



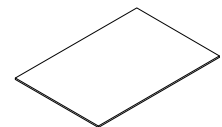
⑭

2PCS

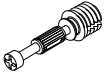






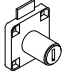


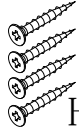
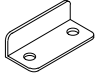





⑮

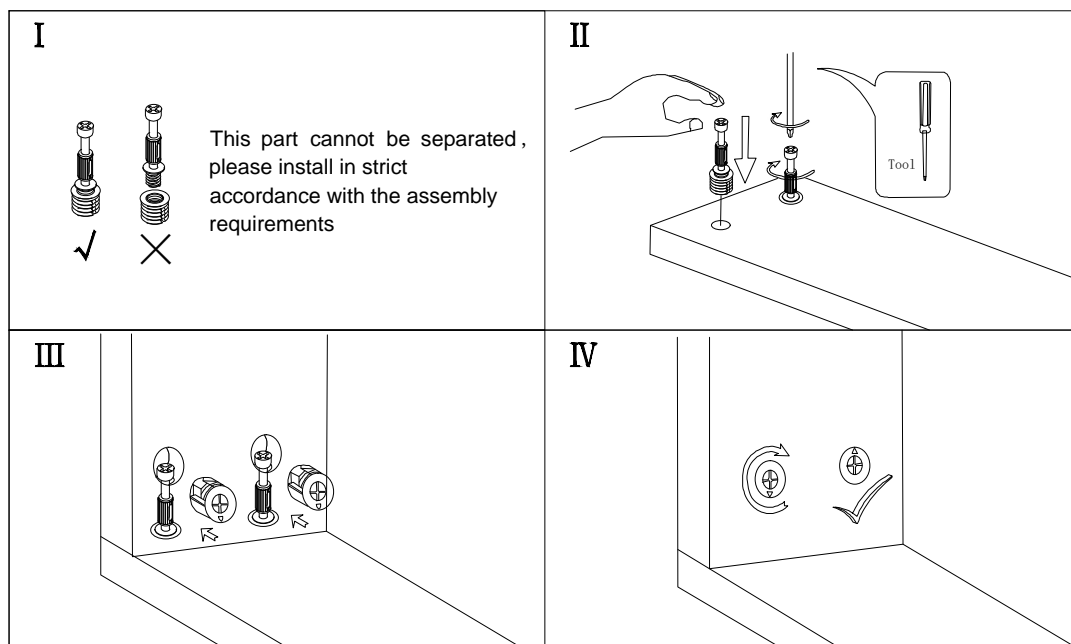
2PCS



ASSEMBLY INSTRUCTION

| | | | |
|---|---|--|--|
| <p>A 40PCS</p>  <p>M6*40</p> | <p>B 40PCS</p>  <p>Ø15*9.5</p> | <p>C 20PCS</p>  <p>Ø3.5*14</p> | <p>D 6PCS</p>  |
| <p>E 2PCS</p>  <p>Ø6*40</p> | <p>F 4PCS</p>  <p>12"</p> | <p>G 8PCS</p>  <p>Ø3.5*40</p> | <p>H 2sets</p>  <p>H1</p>  <p>H2</p>  <p>H3</p>  <p>H4 Ø3.5*20</p> |
| <p>I 2PCS</p>  | <p>J 2PCS</p>  <p>M5*38</p> | <p>K 40PCS</p>  |  |

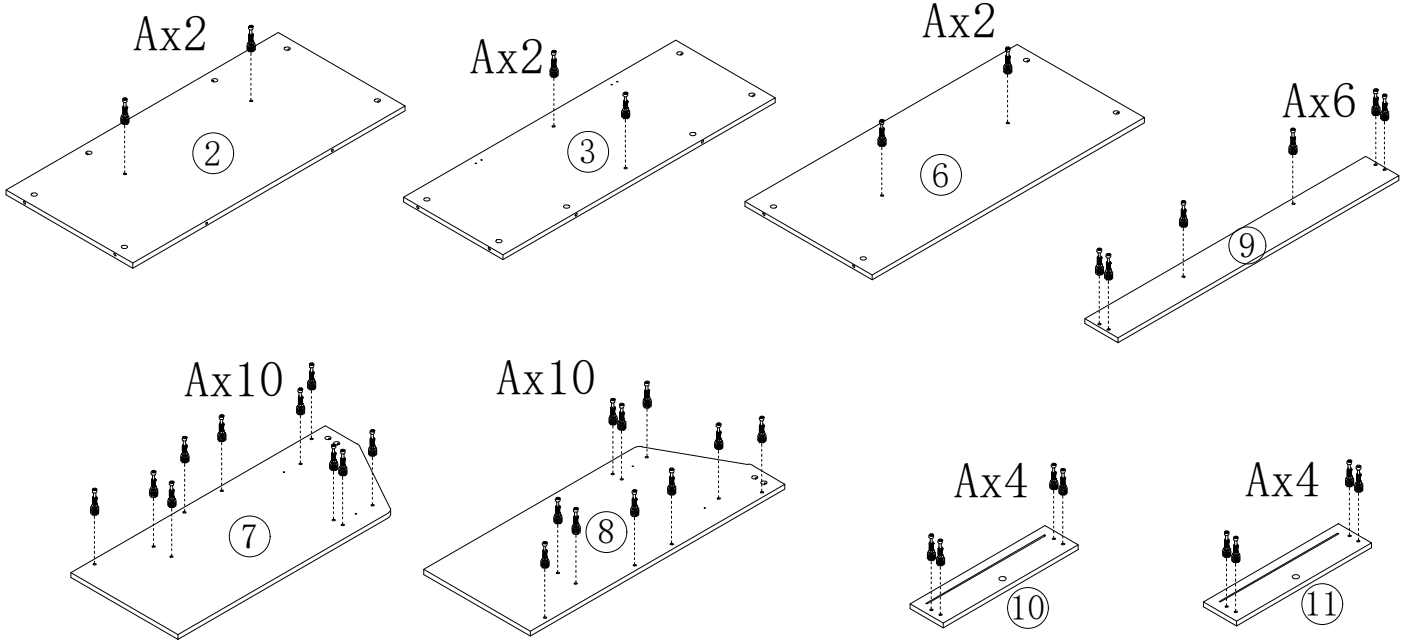
"A" Hardware installation example



ASSEMBLY INSTRUCTION

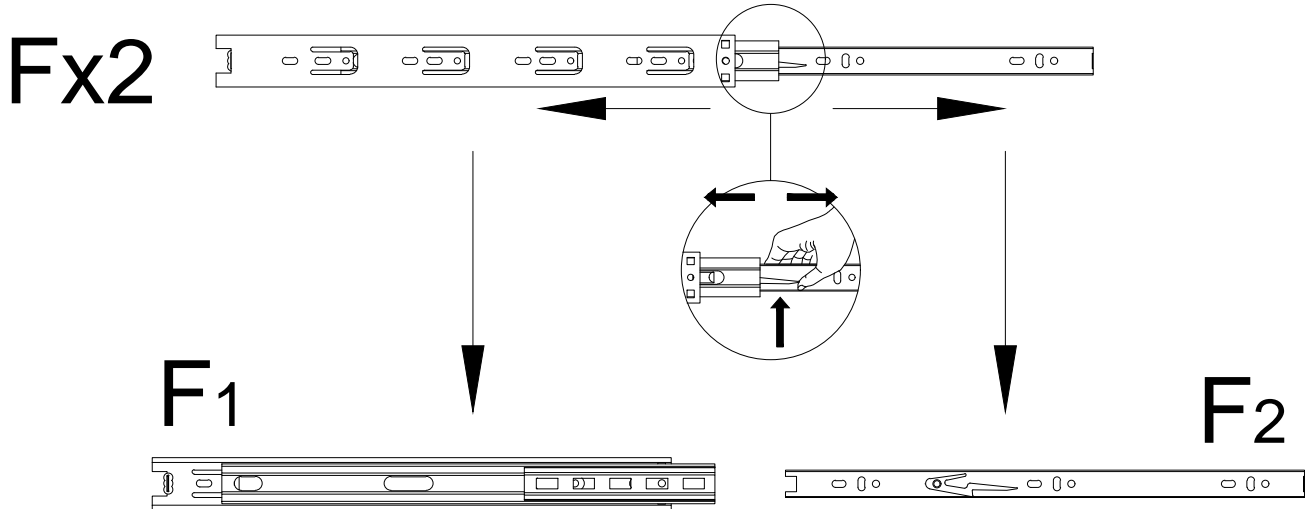
Step 1

A 40PCS
M6*40





Step 2

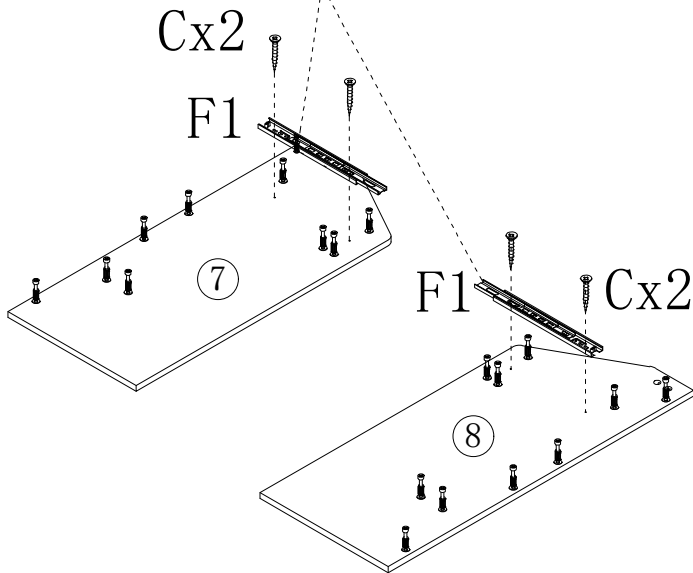
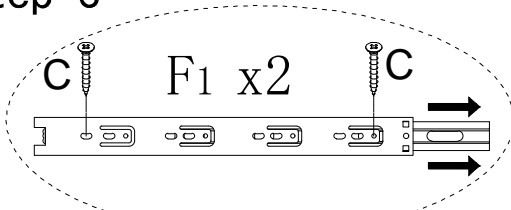
F 2PCS
12"




ASSEMBLY INSTRUCTION

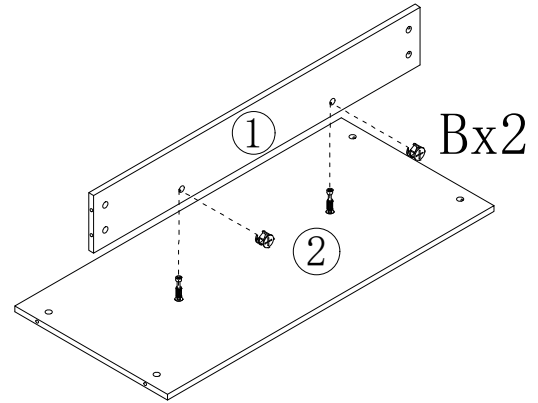
Step 3

- C 4PCS

Ø3.5*14
- F1 2PCS

12"





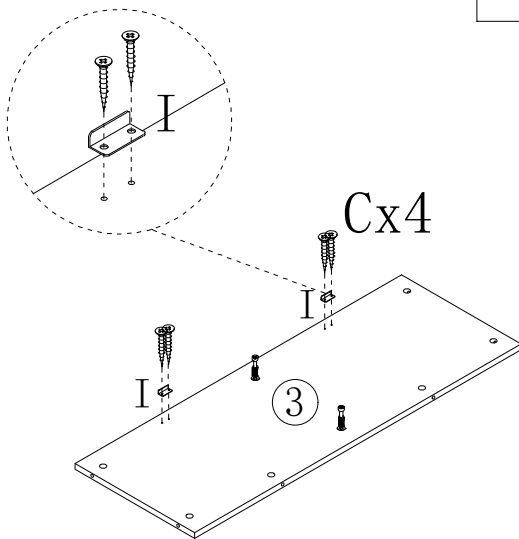
Step 4

- B 2PCS

Ø15*9.5




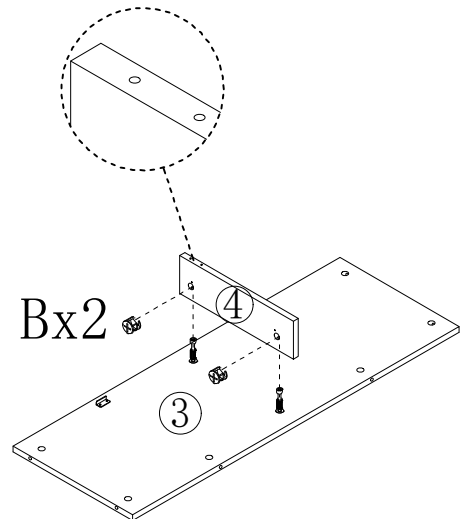
Step 5

- C 4PCS

Ø3.5*14
- I 2PCS




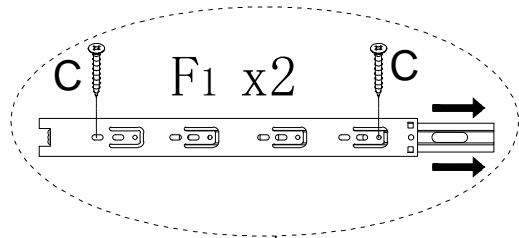
Step 6

- B 2PCS

Ø15*9.5



ASSEMBLY INSTRUCTION

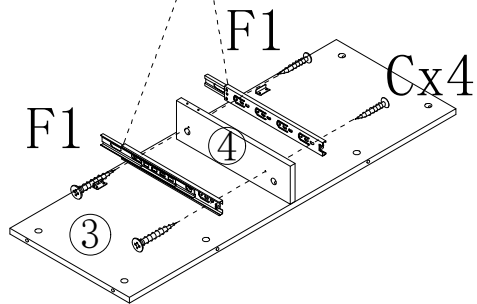
Step 7



C 4PCS

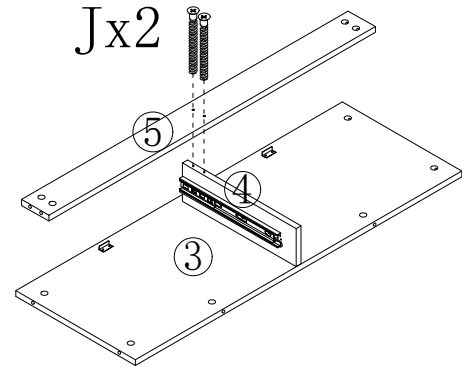


F1 2PCS



Step 8

J 2PCS

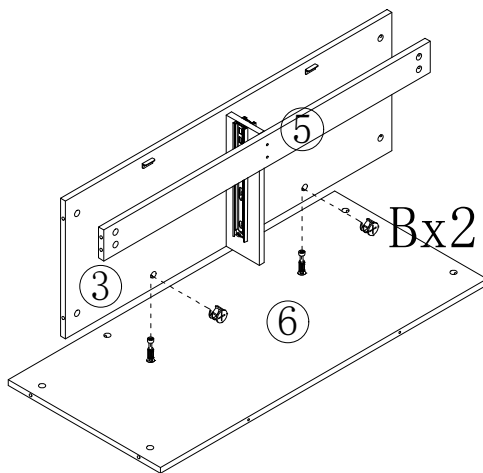


Step 9

B 2PCS



Ø15*9.5

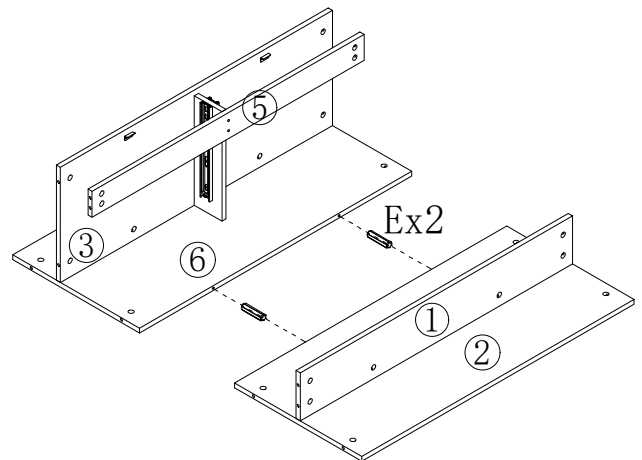


Step 10

E 2PCS




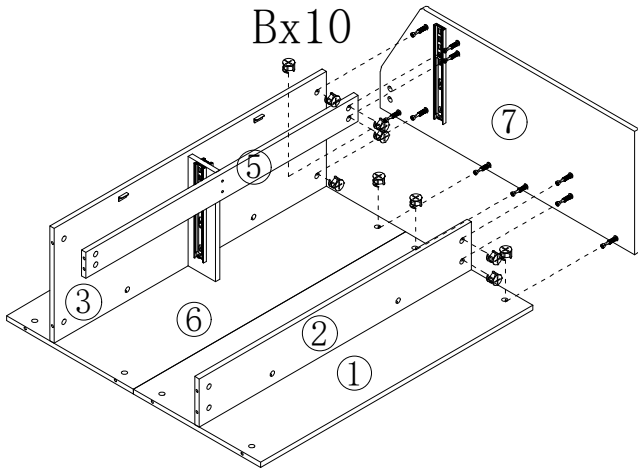
Ø6*40




ASSEMBLY INSTRUCTION

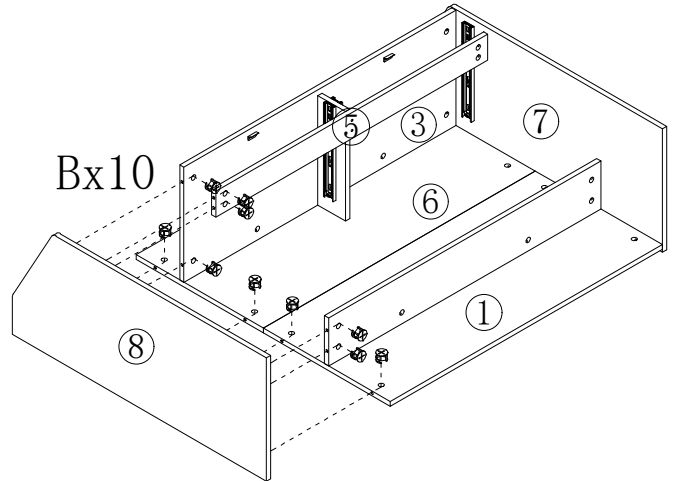
Step 11

B 10PCS

Ø15*9.5




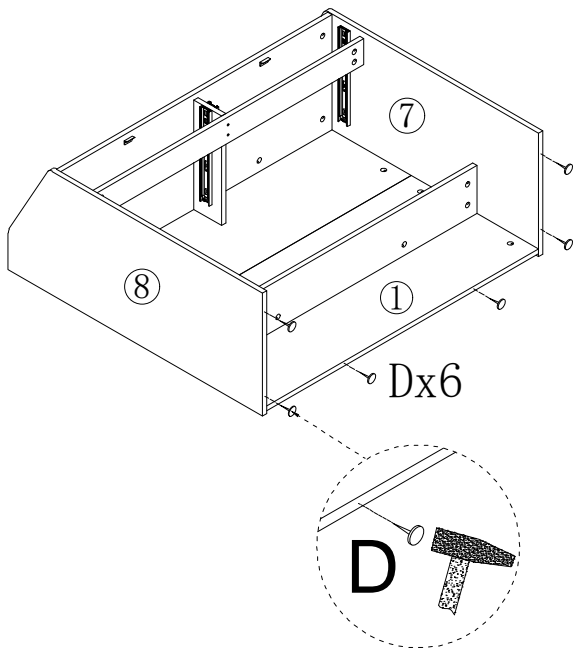
Step 12

B 10PCS

Ø15*9.5




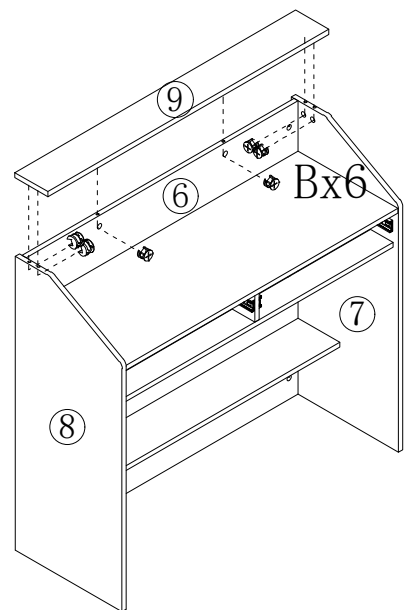
Step 13

D 6PCS




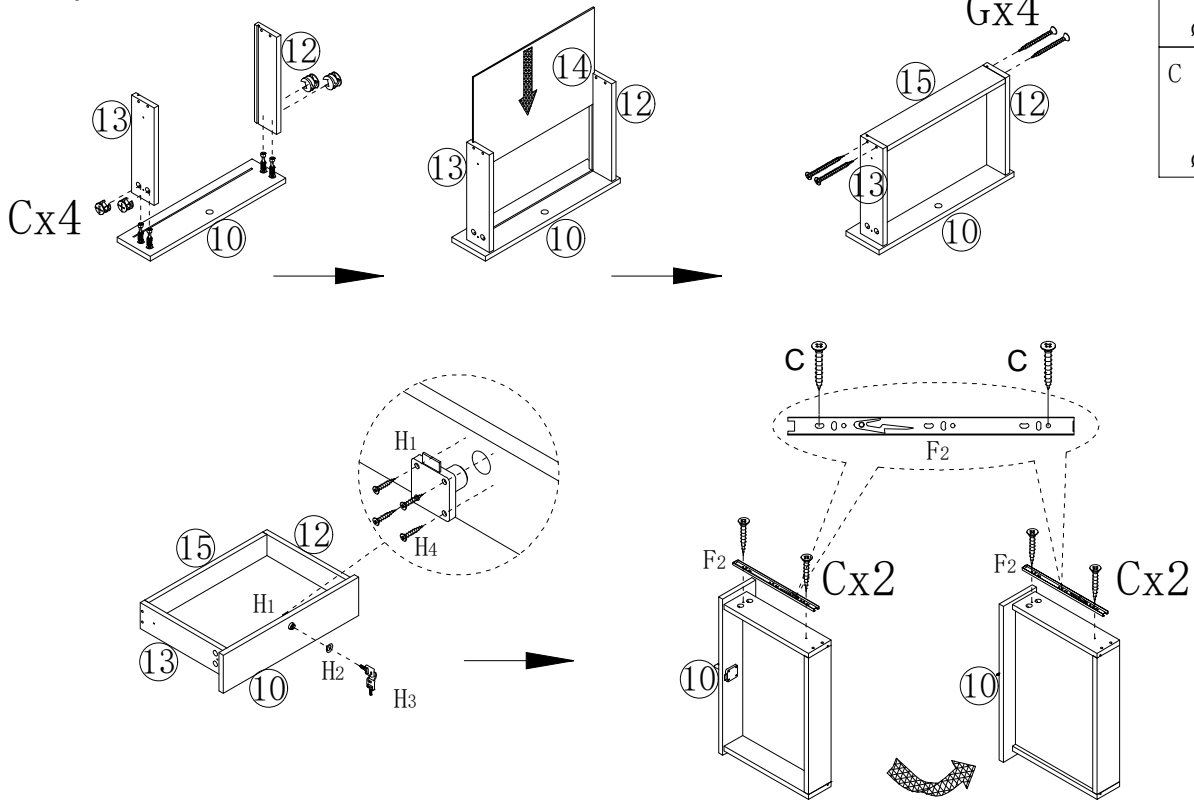
Step 14

B 6PCS

Ø15*9.5



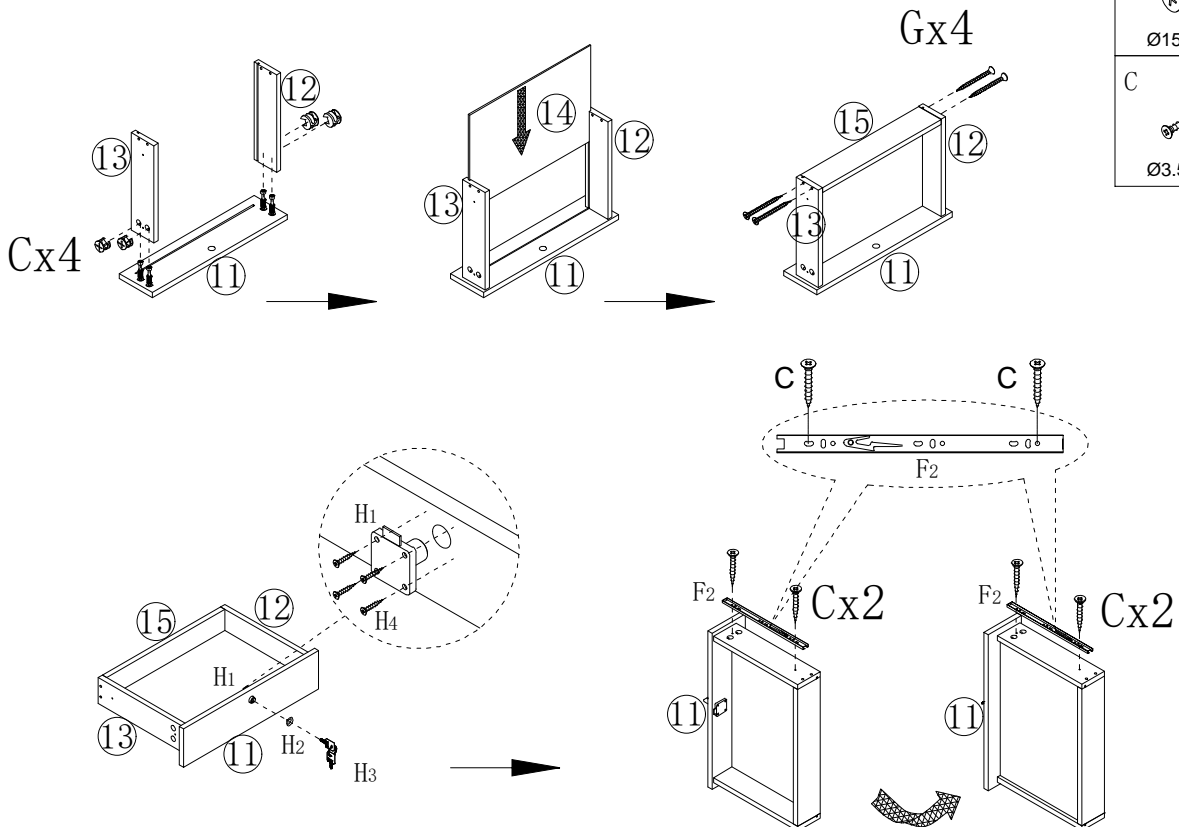
ASSEMBLY INSTRUCTION

Step 15



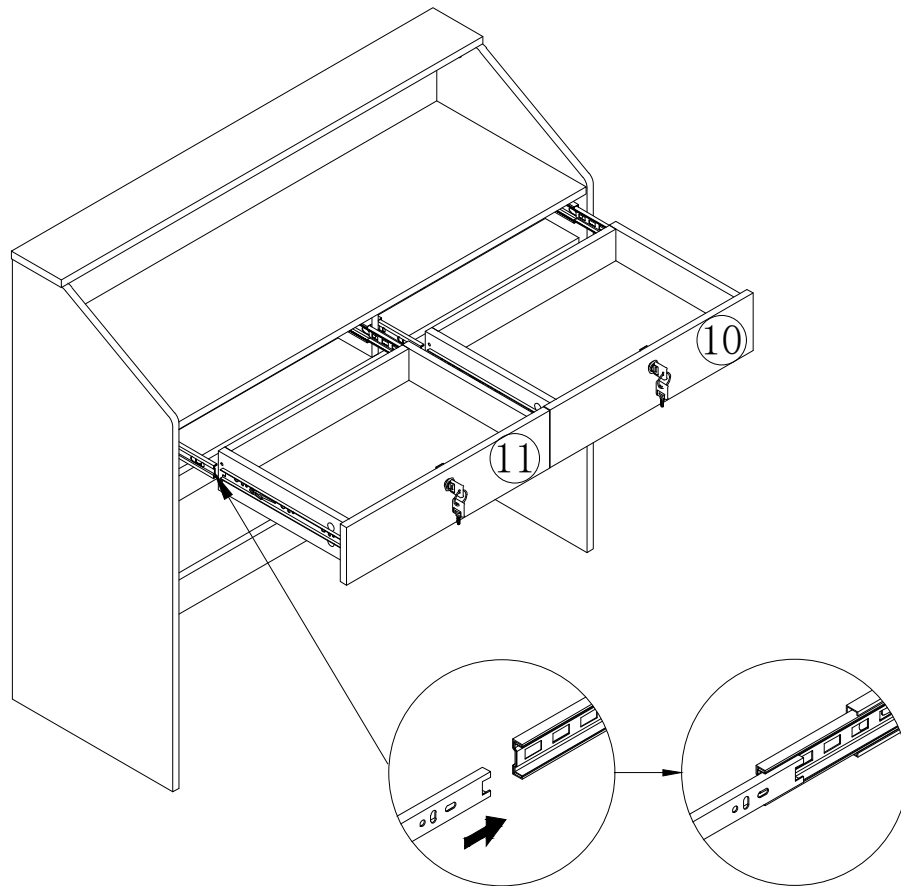
| | | | |
|---|---------|----|-----------|
| B | 4PCS | F2 | 2PCS |
| | | | |
| | Ø15*9.5 | | 12" |
| C | 4PCS | G | 4PCS |
| | | | |
| | Ø3.5*14 | | Ø3.5*40 |
| H | 1set | | |
| | | | |
| | | | (Ø1.5*20) |

Step 16

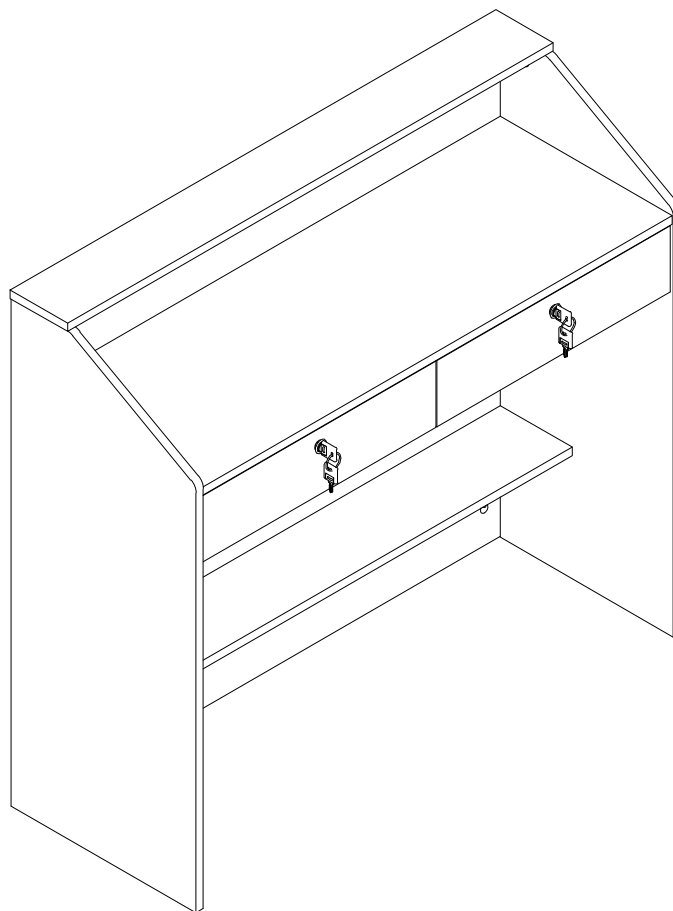


| | | | |
|---|---------|----|-----------|
| B | 4PCS | F2 | 2PCS |
| | | | |
| | Ø15*9.5 | | 12" |
| C | 4PCS | G | 4PCS |
| | | | |
| | Ø3.5*14 | | Ø3.5*40 |
| H | 1set | | |
| | | | |
| | | | (Ø1.5*20) |

Step 17



Step 18



OK