

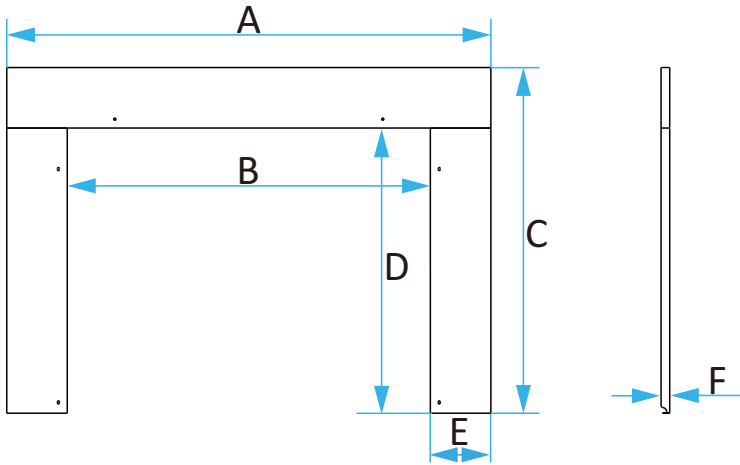
# Installation Manual of Trim Kit



**DO NOT RETURN!**

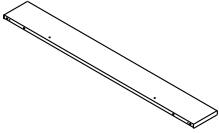
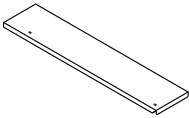
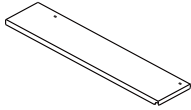



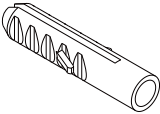



**Contact customer service team for help first**

# Product Dimensions



Unit	A	B	C	D	E	F
mm	860	580	660	520	140	20
inch	33 <sup>55</sup> / <sub>64</sub>	22 <sup>53</sup> / <sub>64</sub>	25 <sup>63</sup> / <sub>64</sub>	20 <sup>15</sup> / <sub>32</sub>	5 <sup>33</sup> / <sub>64</sub>	<sup>25</sup> / <sub>32</sub>
mm	940	660	740	600	140	20
inch	37 <sup>1</sup> / <sub>64</sub>	25 <sup>63</sup> / <sub>64</sub>	29 <sup>9</sup> / <sub>64</sub>	23 <sup>5</sup> / <sub>8</sub>	5 <sup>33</sup> / <sub>64</sub>	<sup>25</sup> / <sub>32</sub>
mm	1040	760	740	600	140	20
inch	40 <sup>15</sup> / <sub>16</sub>	29 <sup>59</sup> / <sub>64</sub>	29 <sup>9</sup> / <sub>64</sub>	23 <sup>5</sup> / <sub>8</sub>	5 <sup>33</sup> / <sub>64</sub>	<sup>25</sup> / <sub>32</sub>
mm	1120	840	800	660	140	20
inch	44 <sup>3</sup> / <sub>32</sub>	33 <sup>5</sup> / <sub>64</sub>	31 <sup>1</sup> / <sub>2</sub>	25 <sup>63</sup> / <sub>64</sub>	5 <sup>33</sup> / <sub>64</sub>	<sup>25</sup> / <sub>32</sub>
mm	1120	840	685	545	140	20
inch	44 <sup>3</sup> / <sub>32</sub>	33 <sup>5</sup> / <sub>64</sub>	26 <sup>3</sup> / <sub>32</sub>	21 <sup>29</sup> / <sub>64</sub>	5 <sup>33</sup> / <sub>64</sub>	<sup>25</sup> / <sub>32</sub>

# Parts List

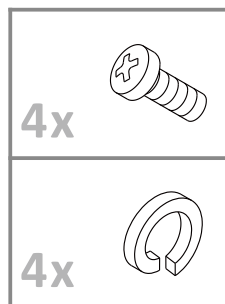
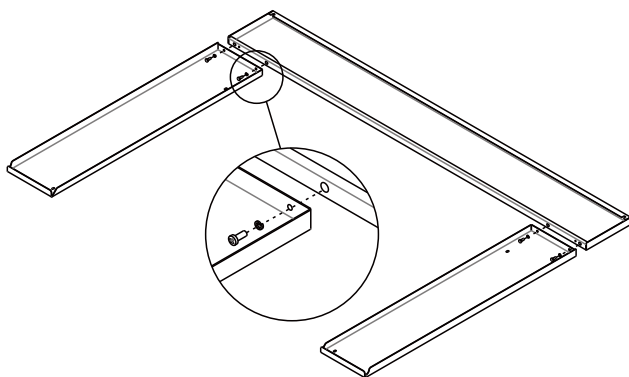
		
Top Trim (1pc)	Right Trim (1pc)	Left Trim (1pc)
		
Screw ST4*8 (6pcs)	Screw M4*10 (4pcs)	Washer (4pcs)
		
Wall Plug $\phi$ 6*30 (2pcs)	Screw ST4*25 (2pcs)	Rubber Feet (2pcs)
		
Instruction Manual (1pc)		

# Installation

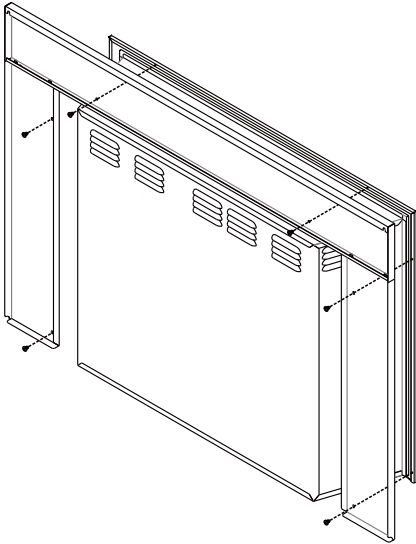
## Tools Required

A screwdriver, a  $\phi 8$ mm impact drill and a hammer will be needed.

## STEP 01

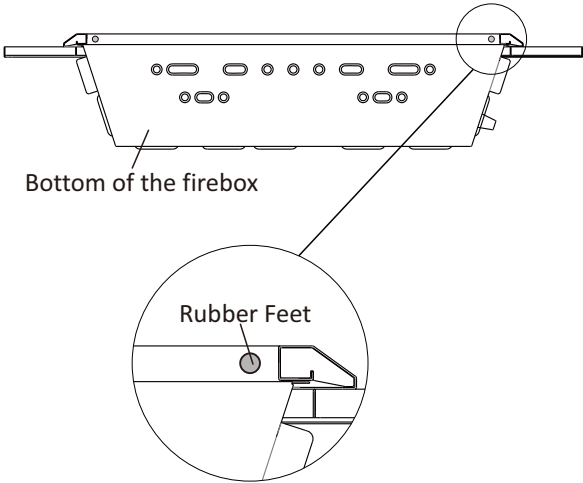


# STEP 02



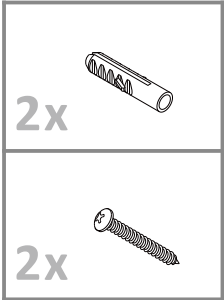
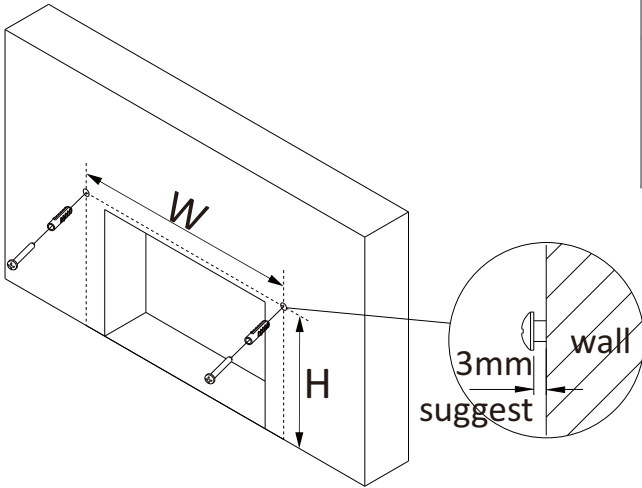
Secure the trim kit to the fireplace.

# STEP 03



Attach to rubber feet on the front edge of the fireplace bottom.

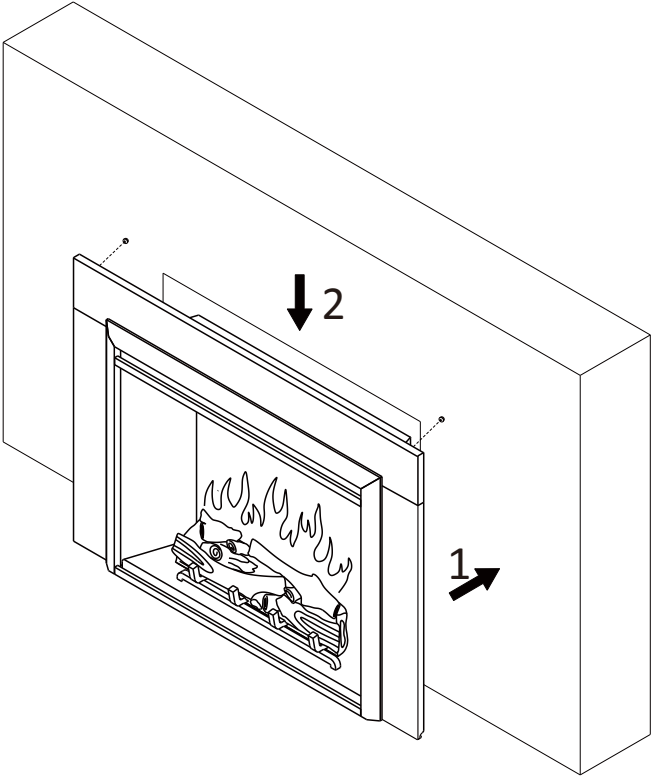
# STEP 04



Unit	W	H
inch	32 <sup>61</sup> / <sub>64</sub>	25 <sup>19</sup> / <sub>32</sub>
mm	837	650
inch	36 <sup>7</sup> / <sub>64</sub>	28 <sup>47</sup> / <sub>64</sub>
mm	917	730
inch	40 <sup>3</sup> / <sub>64</sub>	28 <sup>47</sup> / <sub>64</sub>
mm	1017	730
inch	43 <sup>3</sup> / <sub>16</sub>	31 <sup>7</sup> / <sub>64</sub>
mm	1097	790
inch	43 <sup>3</sup> / <sub>64</sub>	26 <sup>37</sup> / <sub>64</sub>
mm	1097	675

Fix the wall plugs into the wall with a hammer and the distance required above, then insert the screws into, make sure the head of the screws is out of the wall surface, 3mm (1/8 inches) is suggested.

# STEP 05



Lift the whole unit a little to plug the unit to the screws on the wall, then put it down gently.