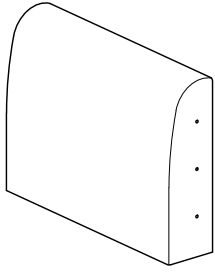
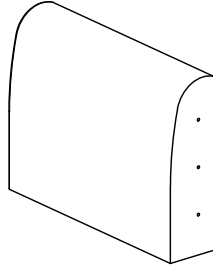


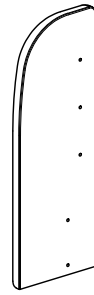
Parts N761P342208



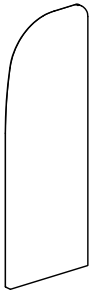
1*1



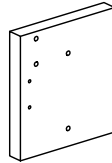
2*1



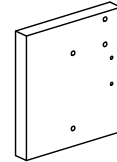
3*1



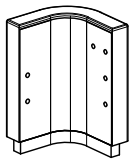
4*1



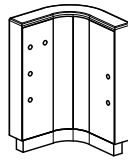
5*1



6*1

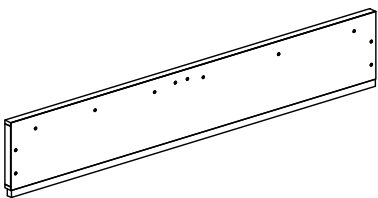


14*1

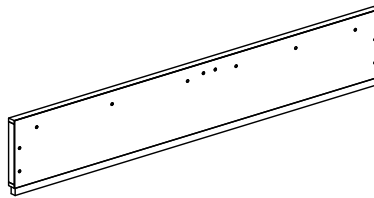


15*1

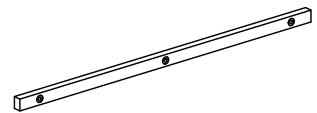
Parts N761P342209



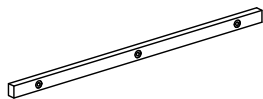
7*1



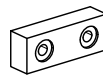
8*1



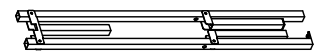
9*2



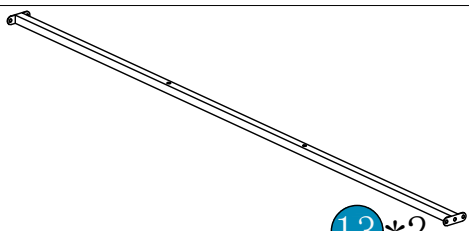
10*2



11*2



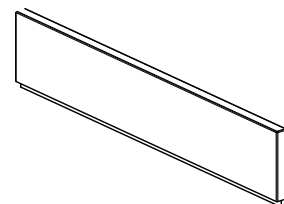
12*2



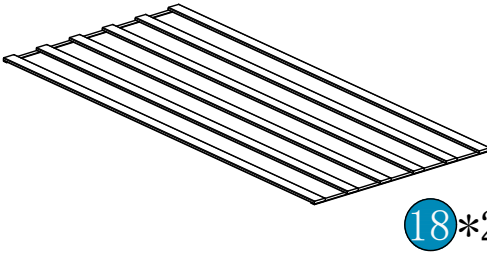
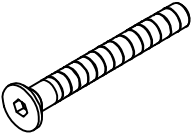
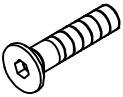
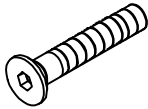
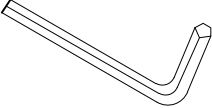
13*2



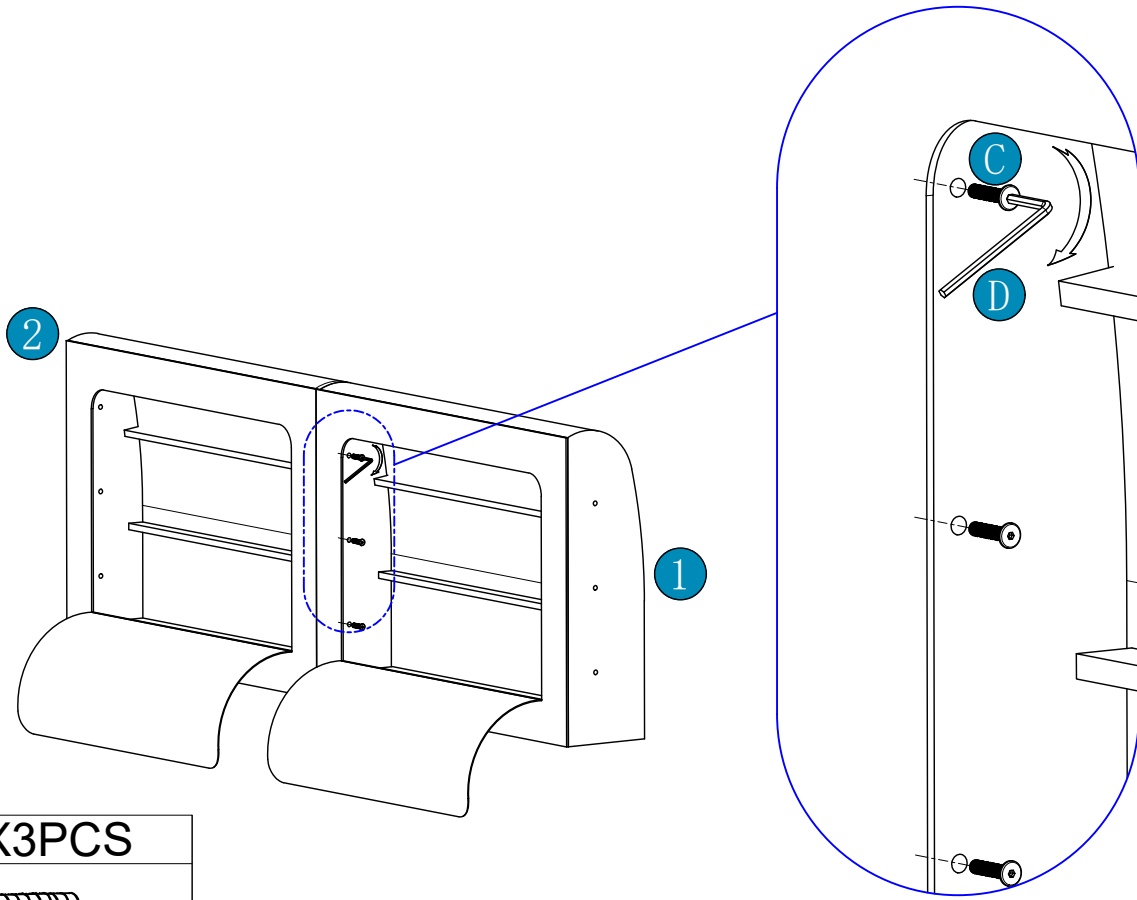
16*4

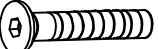


17*1

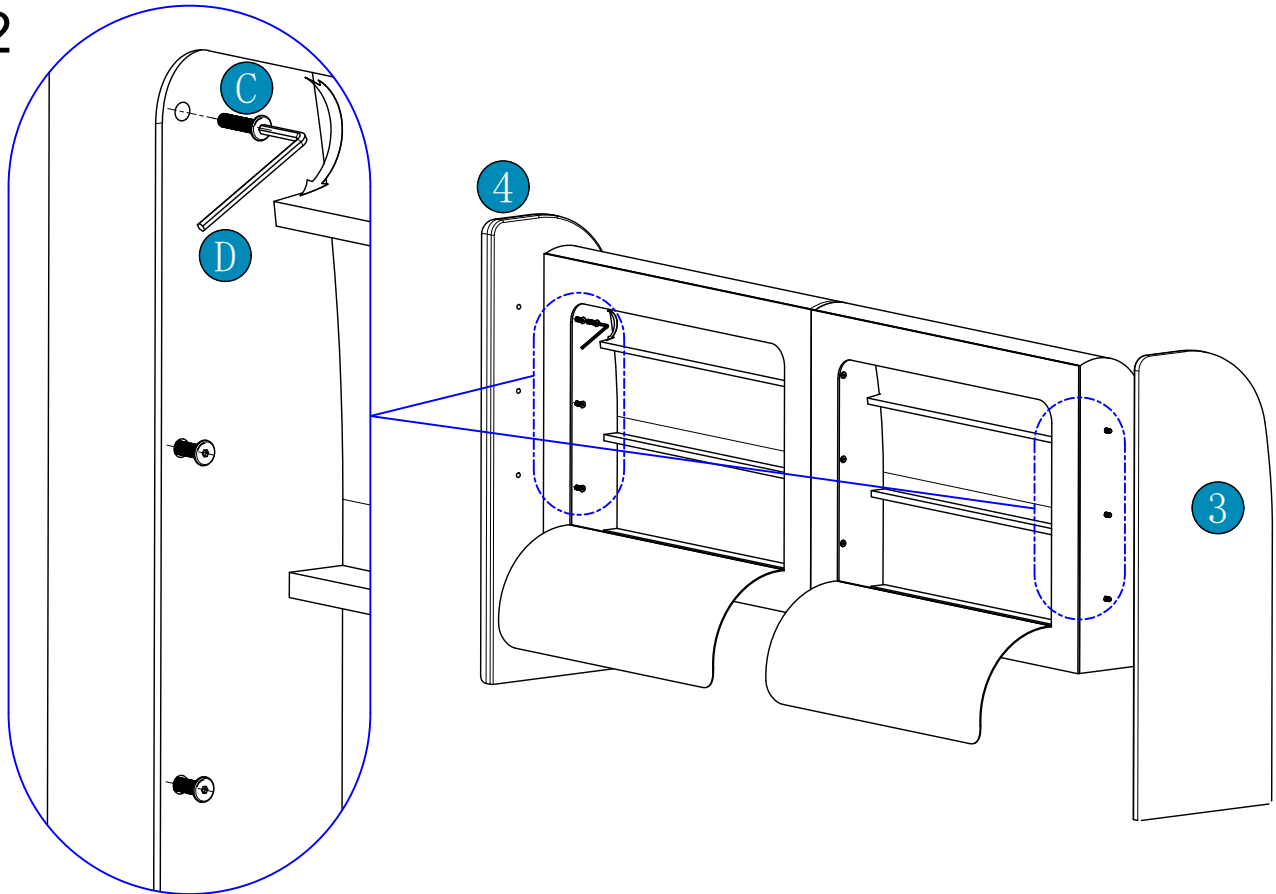
		
<p>Hardware</p>		
 <p>M8x60mm A x6pc+1pc</p>	 <p>M8x20mm B x34pcs+1pc</p>	 <p>M8x35mm C x31pcs+1pc</p>
 <p>M8 ALLEN KEY D x1pc</p>		
<p style="text-align: right;">3</p>		

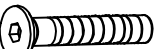
step 1



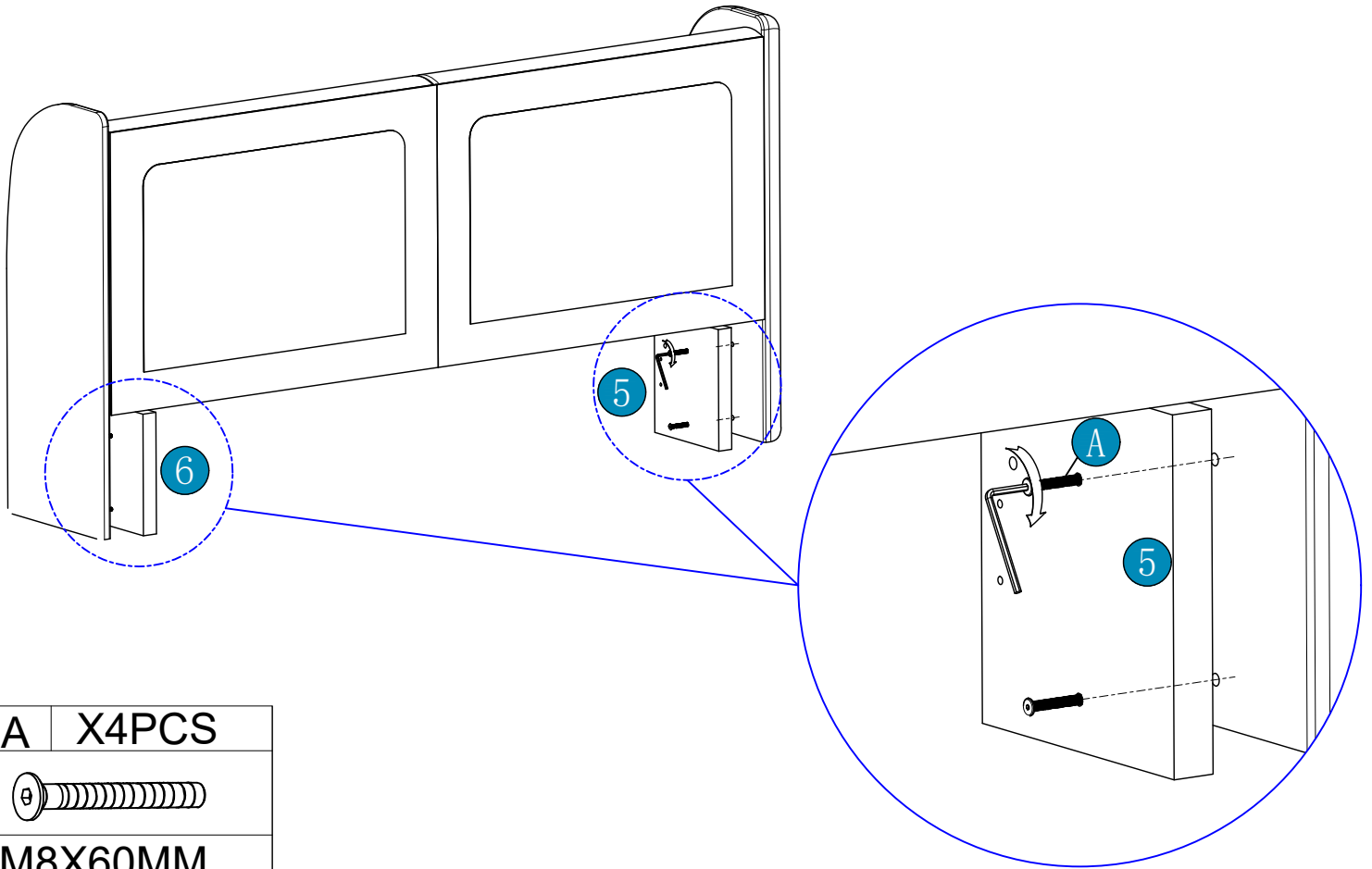
C	X3PCS
	
M8X35MM	


step 2



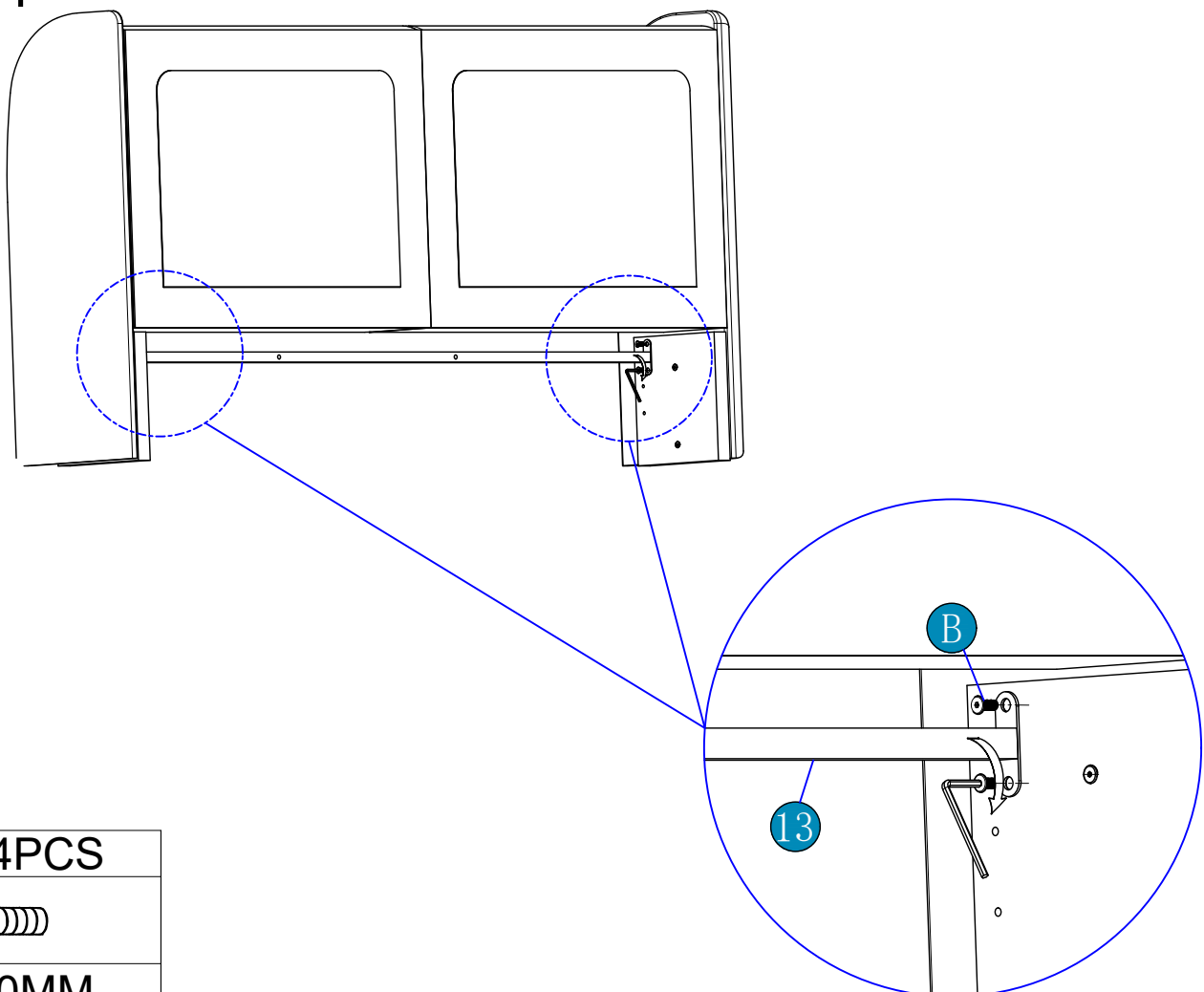
C	X6PCS
	
M8X35MM	


step 3



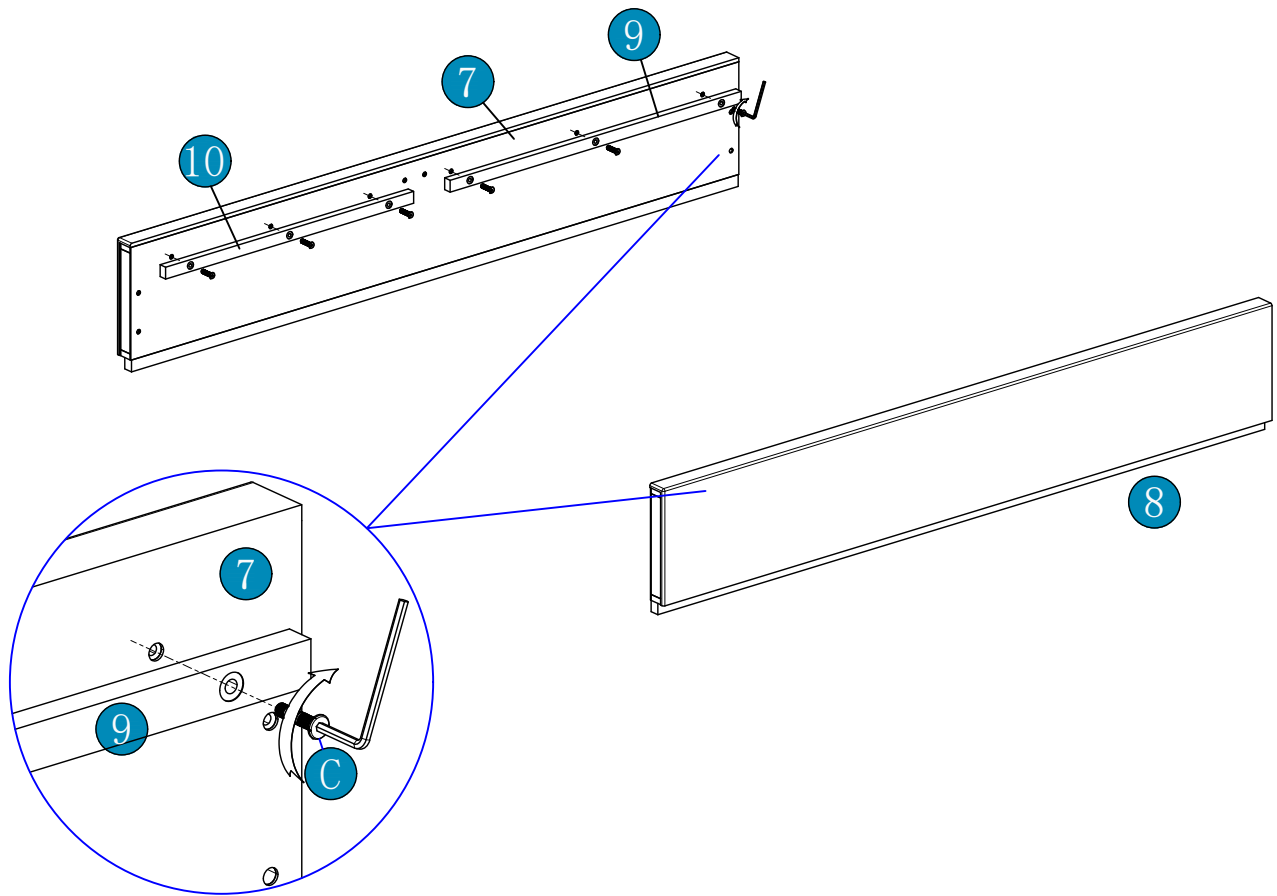
A	X4PCS
	
M8X60MM	

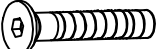
step 4



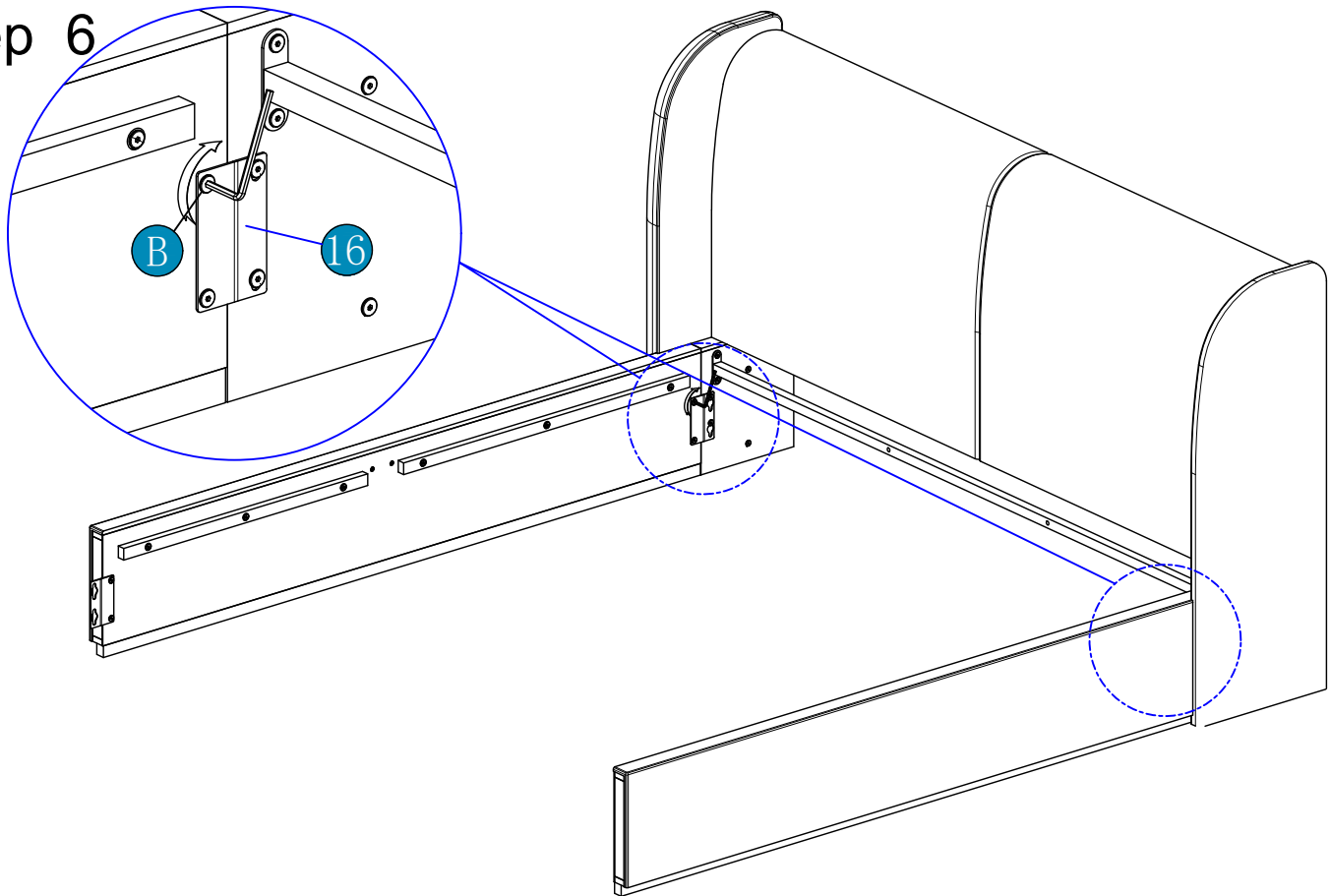
B	X4PCS
	
M8X20MM	

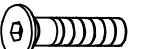
step 5



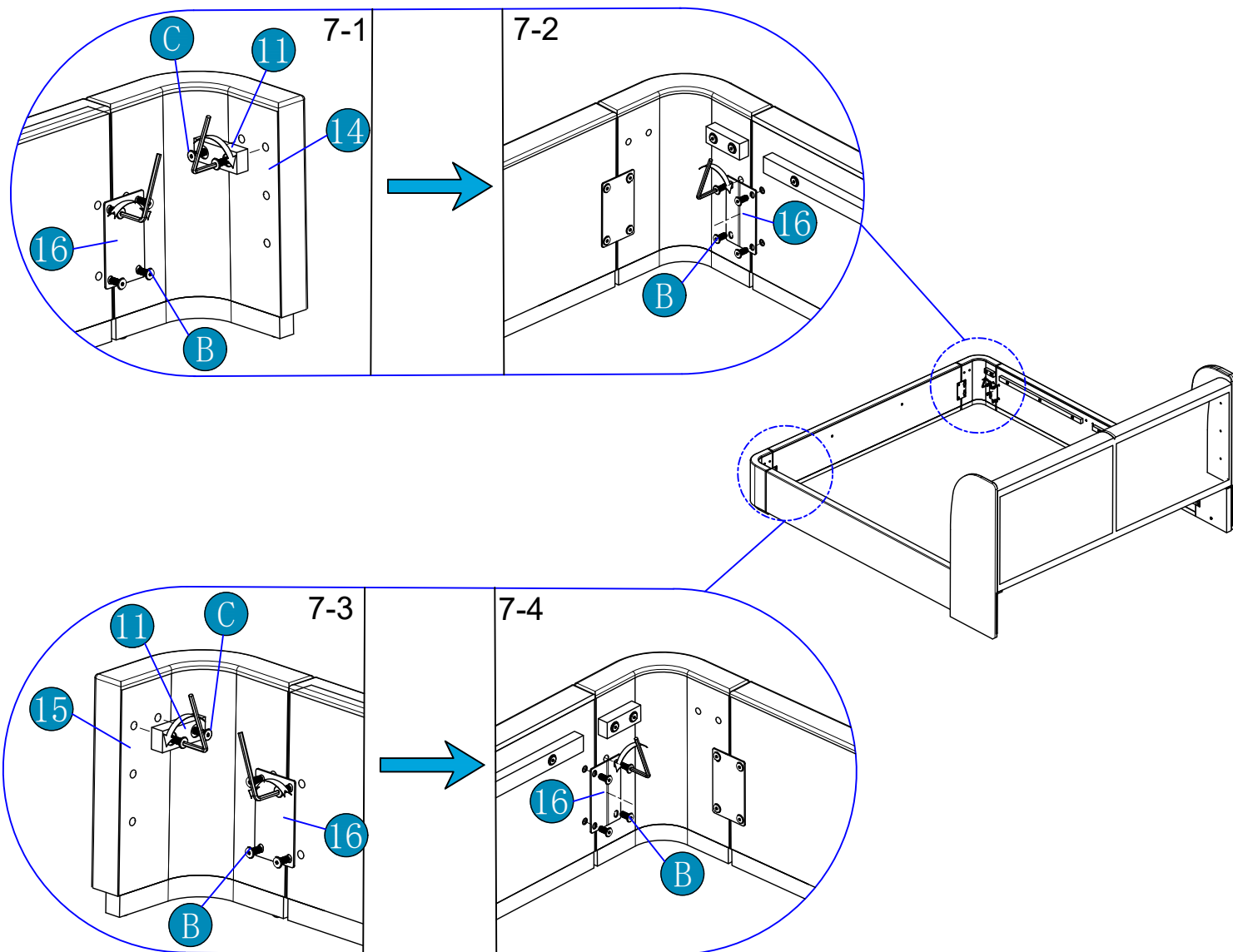
C	X12PCS
	
M8X35MM	


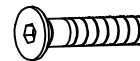
step 6



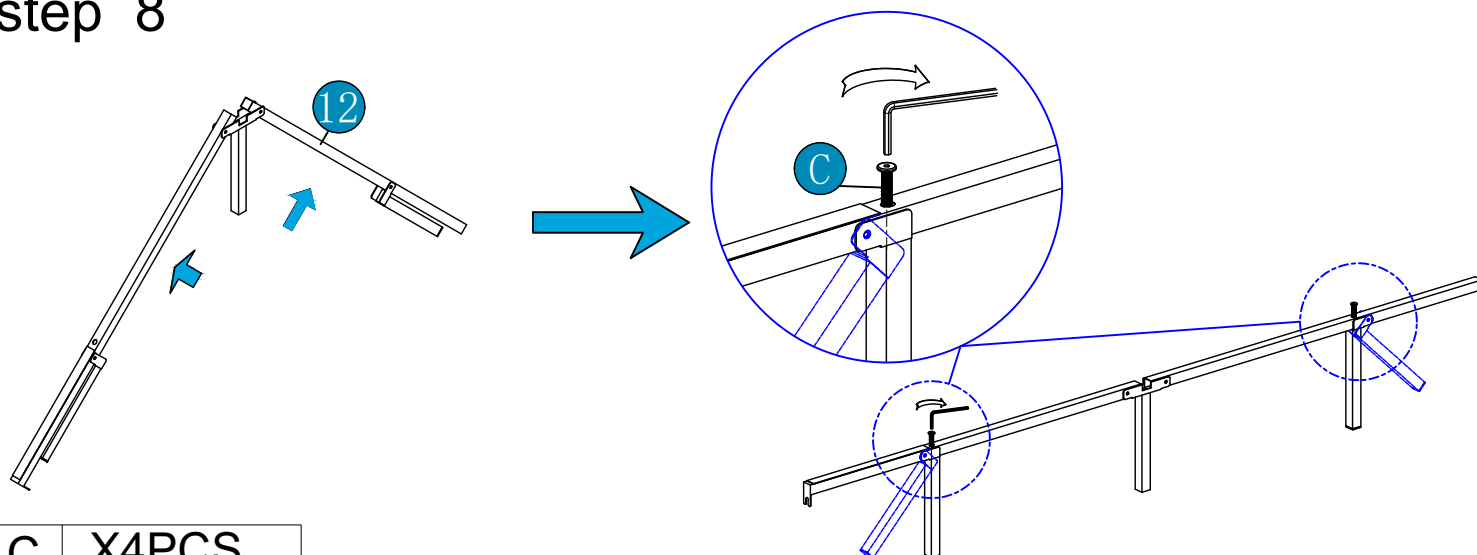
B	X8PCS
	
M8X20MM	

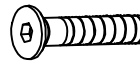
step 7



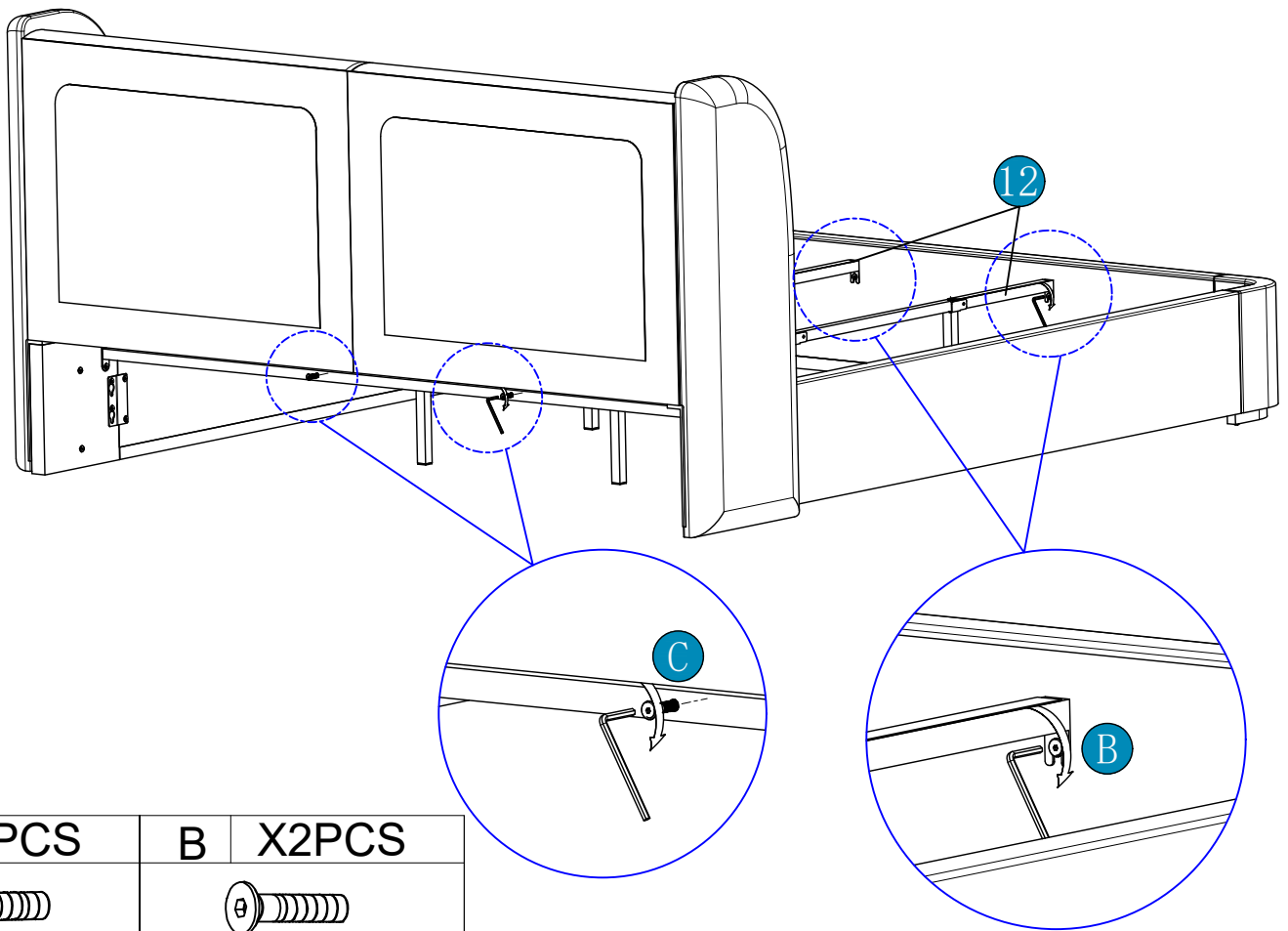
B	X16PCS	C	X4PCS
			
M8X20MM		M8X35MM	

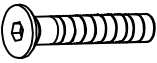
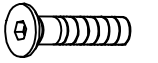
step 8



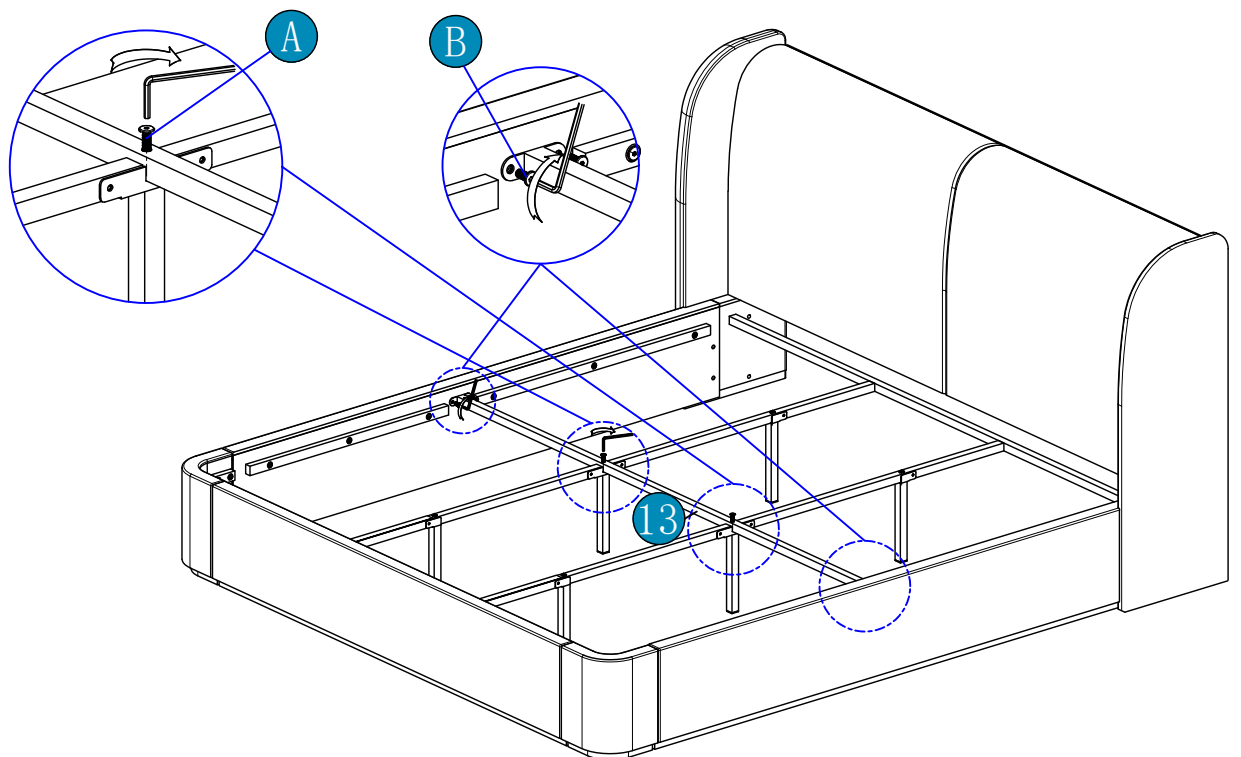
C	X4PCS
	
M8X35MM	

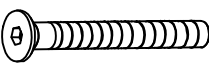

step 9



C	X2PCS	B	X2PCS
			
M8X35MM		M8X20MM	

step 10



A	X2PCS	B	X4PCS
			
M8X60MM		M8X20MM	

step 11

