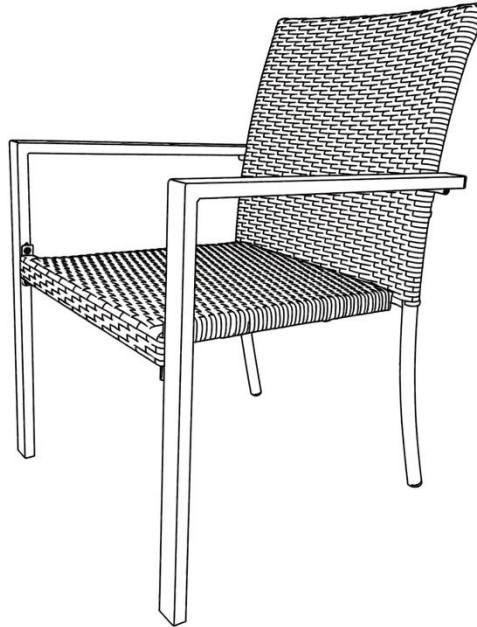


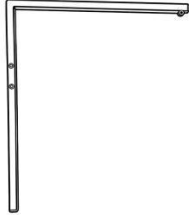
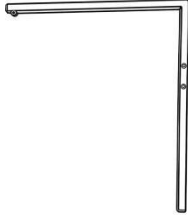
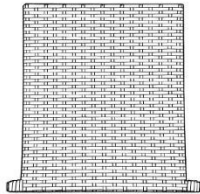
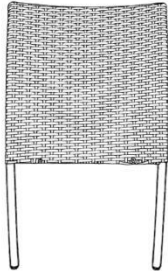
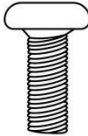
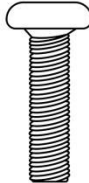

Rattan Dining Chair

Installation Instructions



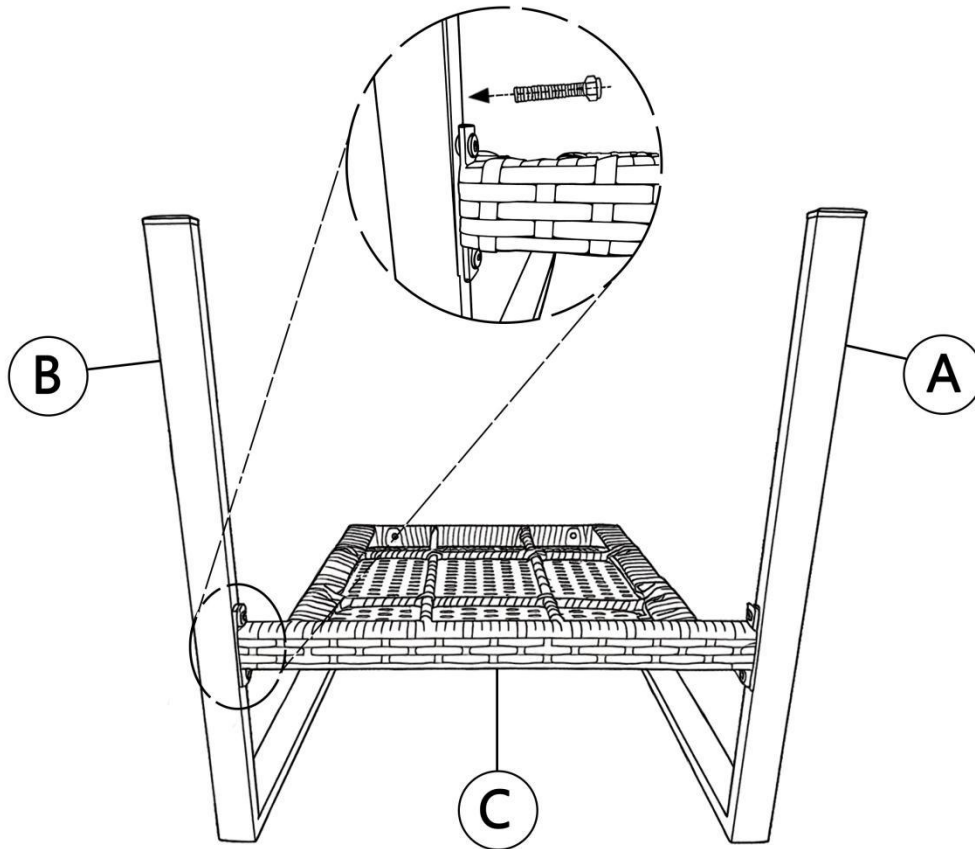
Scan to get a quick assembly guide, dedicated support, plus member access to exclusive perks & extended warranty.

Parts List

Accessories								
	A	1	B	1	C	1	D	1
Tools								
	M6*20mm	4	M6*30mm	4	Hexwrench			
<p>Tips: Confirm all components are present before installation</p>								

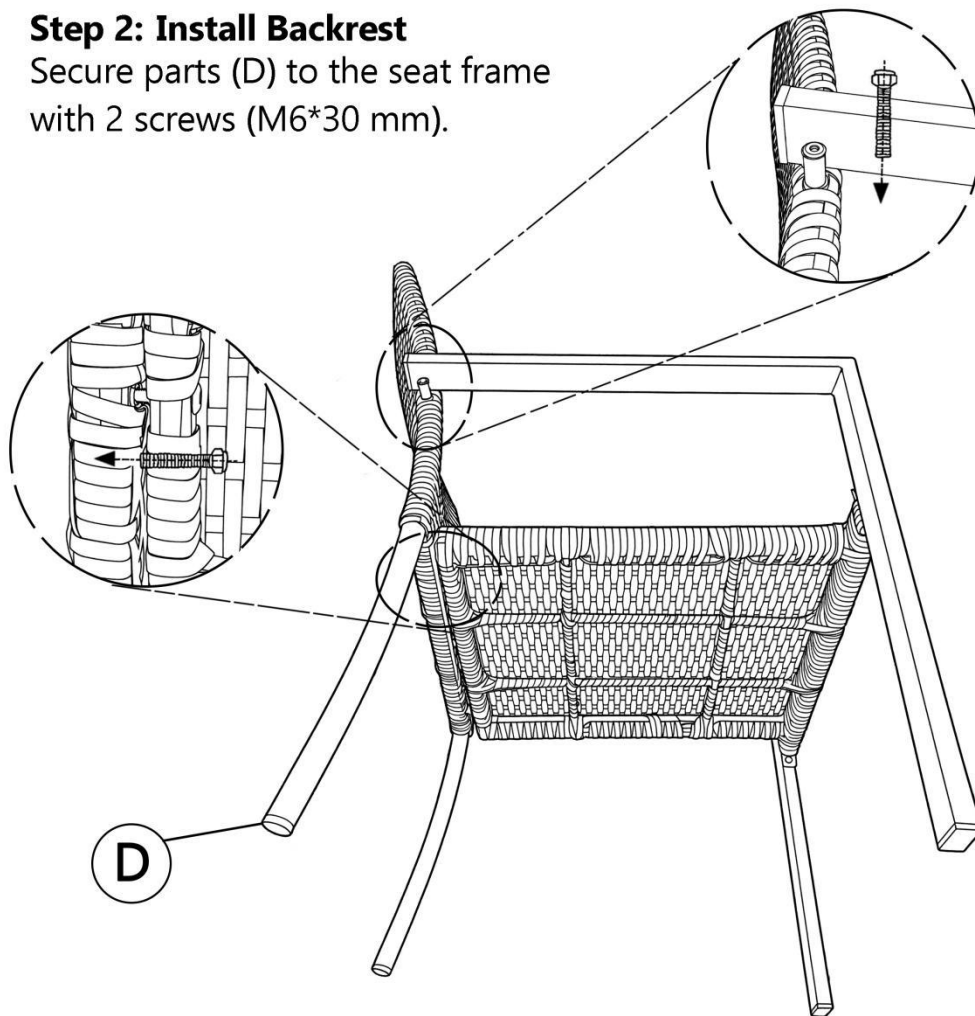
Step 1: Assemble Seat Frame

Secure the legs (A&B) to the fittings (C) with 4 screws (M6, 20mm).



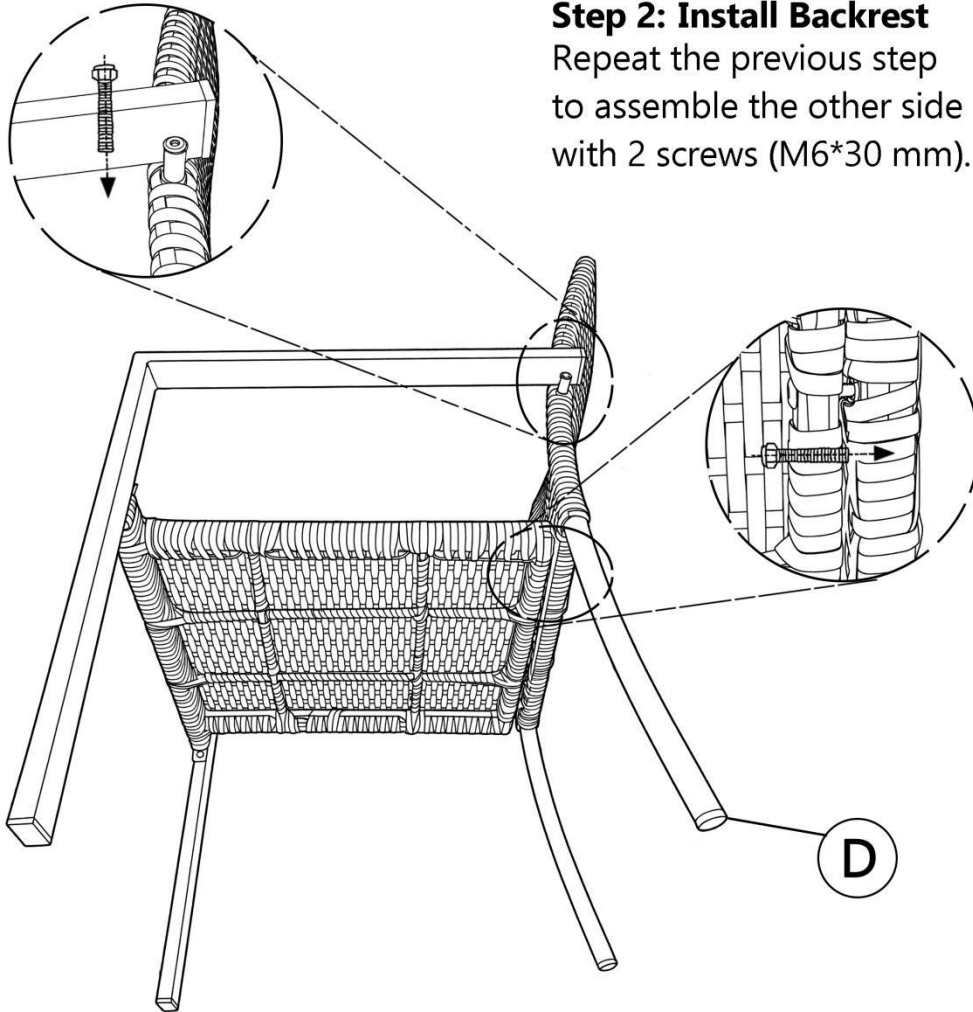
Step 2: Install Backrest

Secure parts (D) to the seat frame with 2 screws (M6*30 mm).



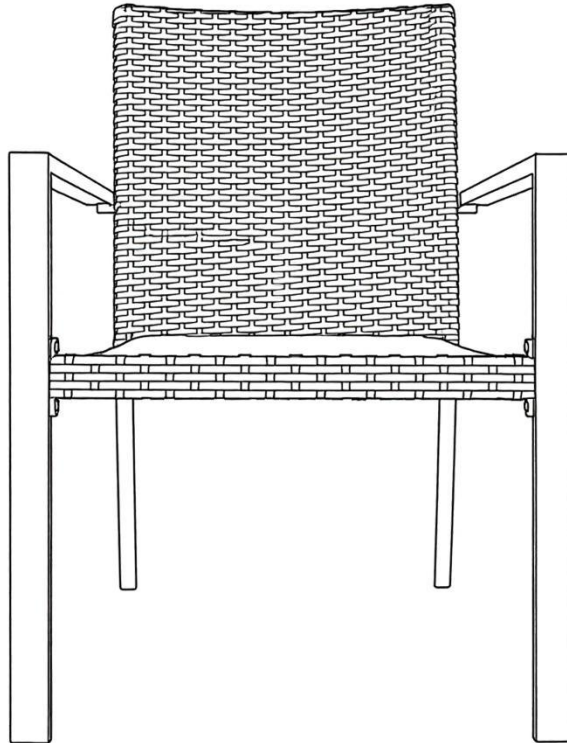
Step 2: Install Backrest

Repeat the previous step to assemble the other side with 2 screws (M6*30 mm).

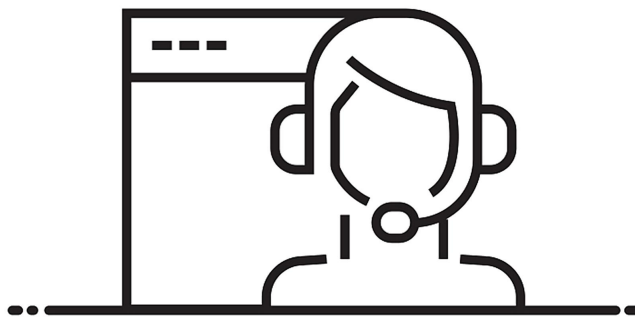


Installation Tips:

After assembly, check that all screws are firmly secured.



Rattan Dining Chair



ONLINE SUPPORT

Please read the installation guide carefully before installation
If you have any questions during the installation process
you can contact us and we will provide you a detailed guidance

Online Support: outdoorservice@kannelfurniture.com