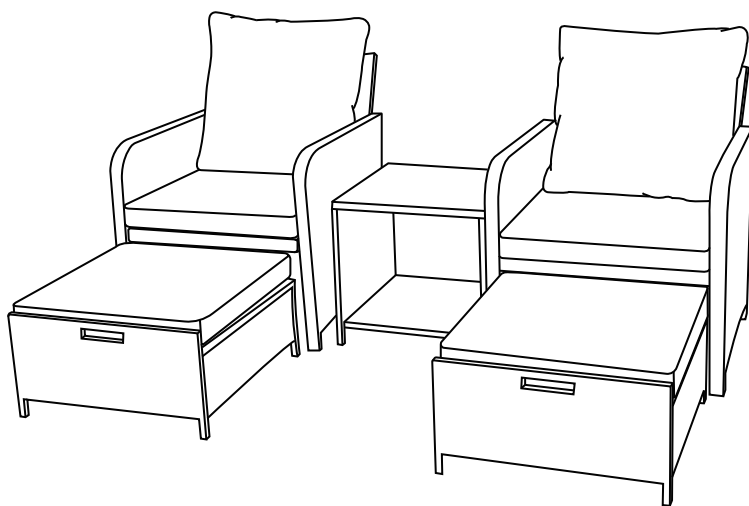


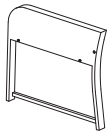
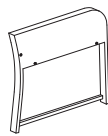
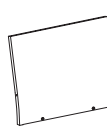

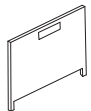
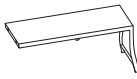
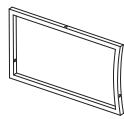
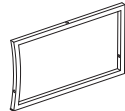
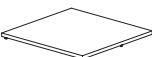


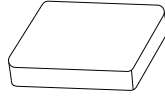
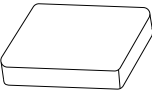
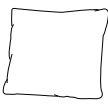
5-PIECE RATTAN SOFA SET ASSEMBLY INSTRUCTION









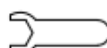
ATTENTION

1. This package comes with 1 box, please check the parts list and hardware list carefully to make sure you've received all parts.
2. If there are any missing parts, please contact us with the missing part and the missing part number, we'll resend them to you ASAP.
3. If there are any damaged parts, please contact us with clear picture or clear video, we'll offer you the best solution after confirming it.

PARTS

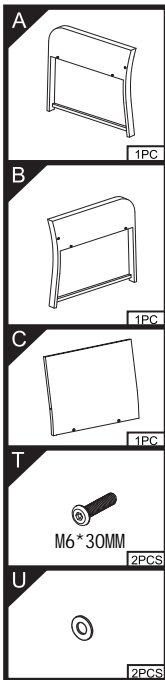
A  2PCS	B  2PCS	C  2PCS	D  2PCS
E  2PCS	F  2PCS	G  2PCS	H  2PCS
I  1PC	J  2PCS	K  1PC	L  2PCS
M  2PCS	N  2PCS		

HARDWARE

S  M6*15MM 4PCS	T  M6*30MM 30PCS	U  42PCS	V  1PC
W  M6*45MM 8PCS	X  8PCS	Y  1PC	

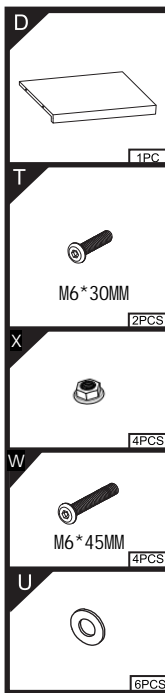
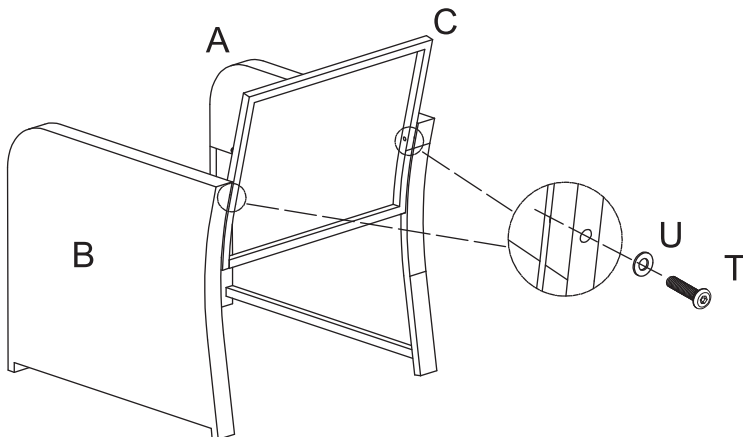
SECTION 1

SINGLE CHAIR ASSEMBLY *2

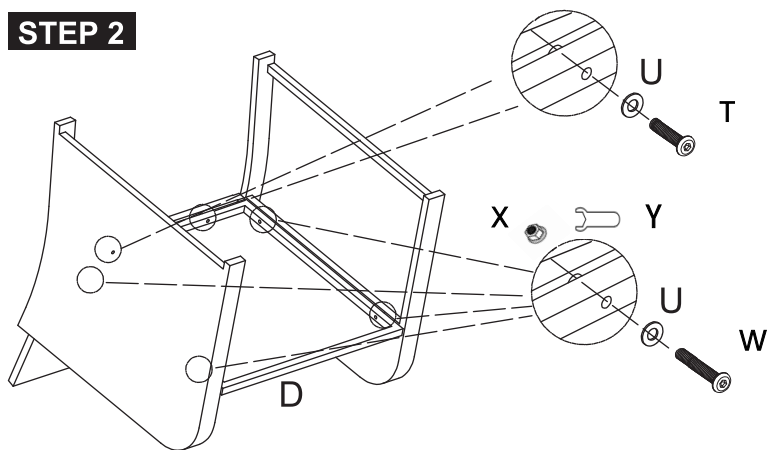


STEP 1

⚠ Please DO NOT to tighten the screws at the first in every step, ensure all the screws of the entire sofa are aligned with the holes, tighten them at the LAST step.



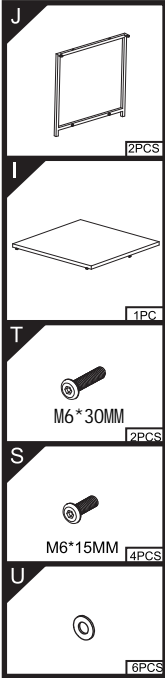
STEP 2



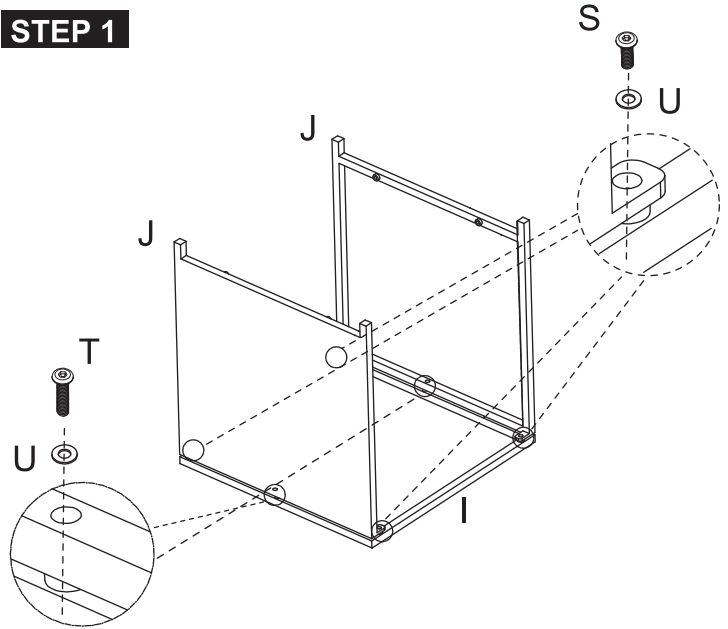
⚠ For simple viewing, the manual provides a hollow view, noted that the actual object is not hollow.

SECTION 2

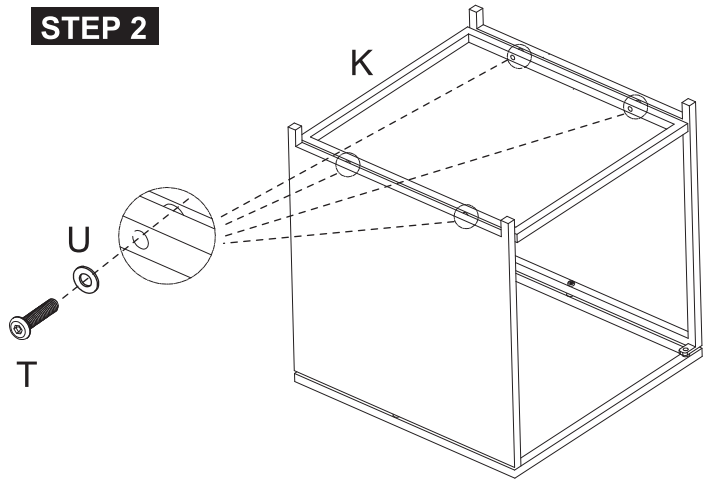
COFFEE TABLE ASSEMBLY



STEP 1



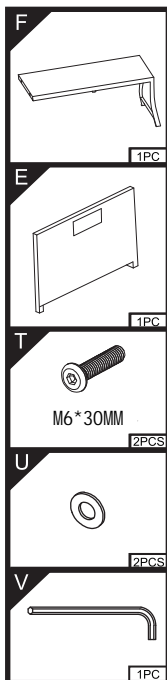
STEP 2



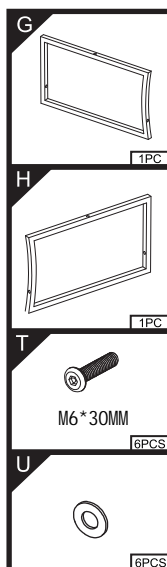
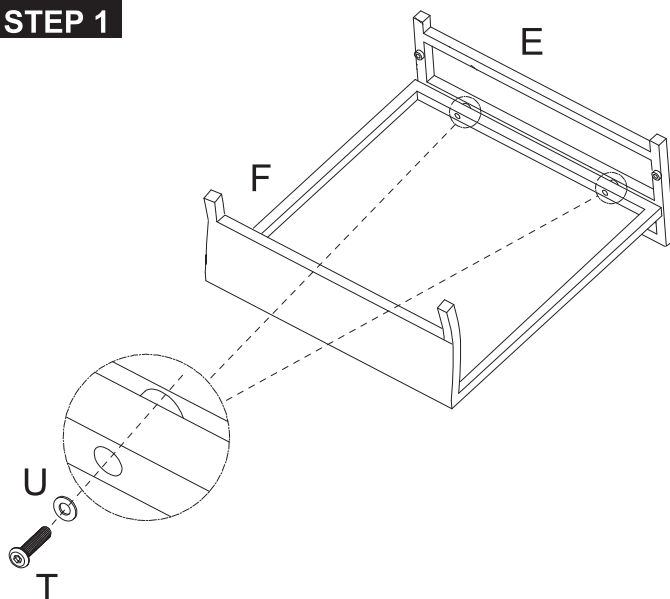
! For simple viewing, the manual provides a hollow view, noted that the actual object is not hollow.

SECTION 3

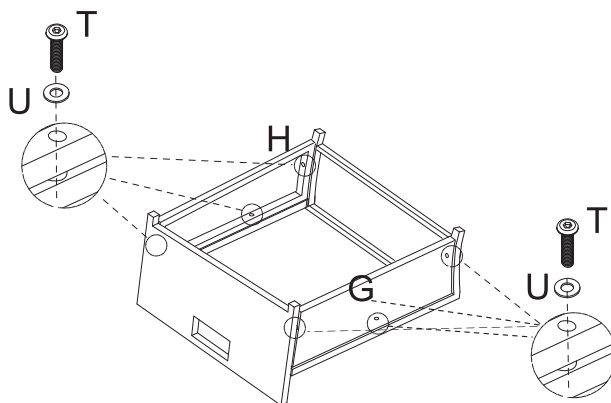
OTTOMAN ASSEMBLY * 2



STEP 1



STEP 2



! For simple viewing, the manual provides a hollow view, noted that the actual object is not hollow.