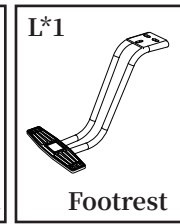
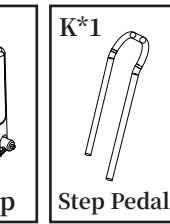
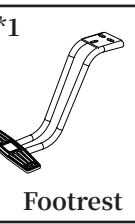
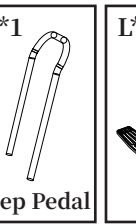
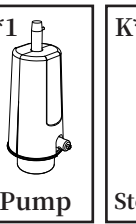
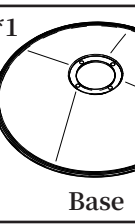
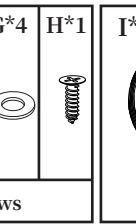
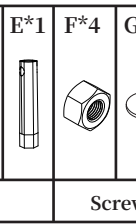
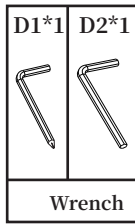
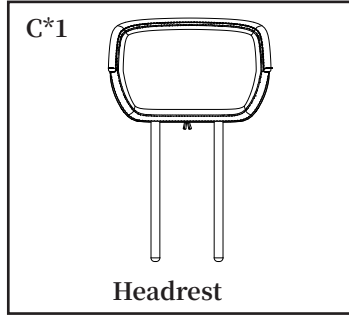
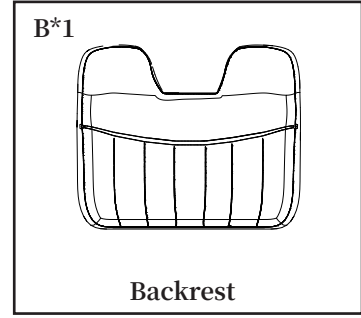
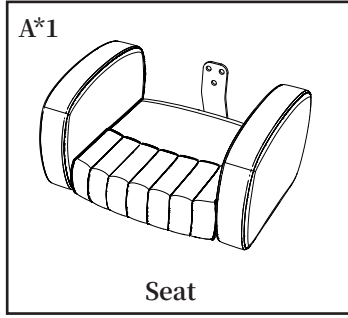
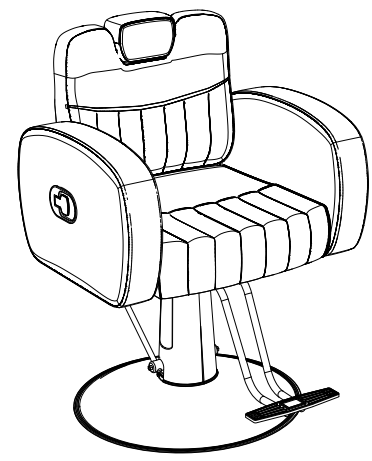
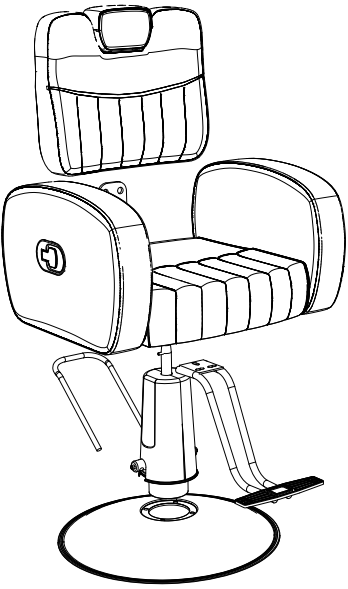


# Installation Instructions

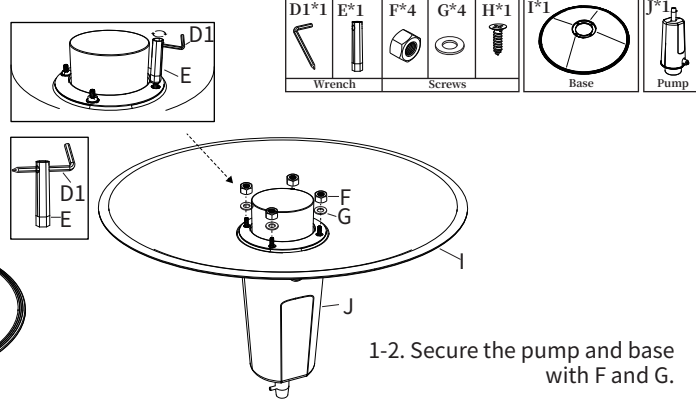
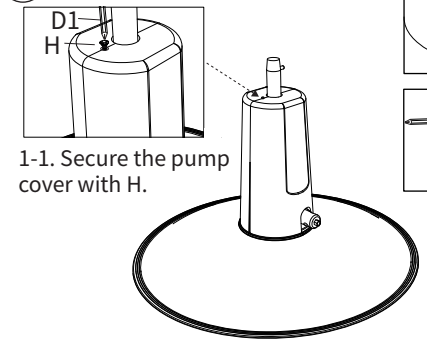
# Parts Included

## 5 Step Only

- ← Install the backrest to the seat. →
- ← Insert the seat onto the pump. →
- ← Install the step pedal to the pump. →
- ← Install the footrest to the seat. →
- ← Connect the base and pump. →

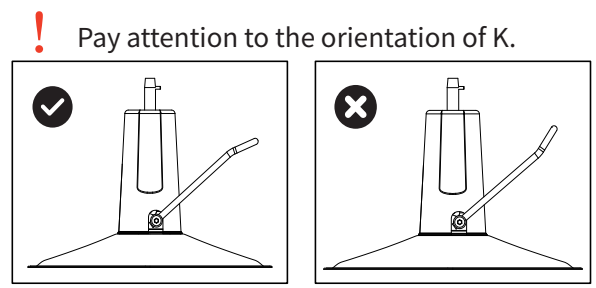
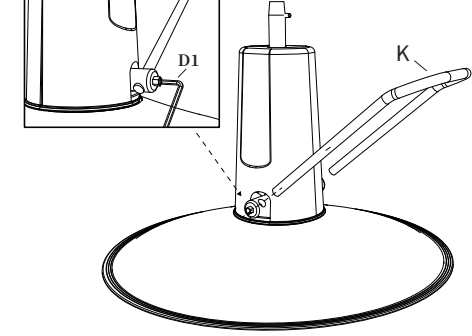


### 1 Install the base and pump



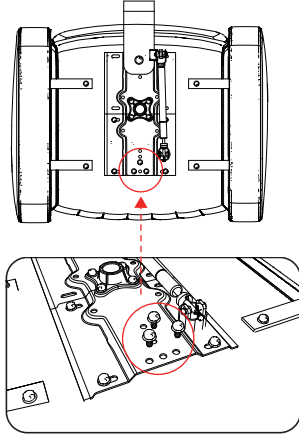
### 2 Install the step pedal

2-1. Insert K into the pump and tighten the screw.



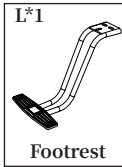
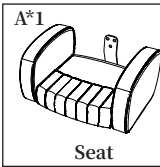
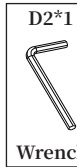
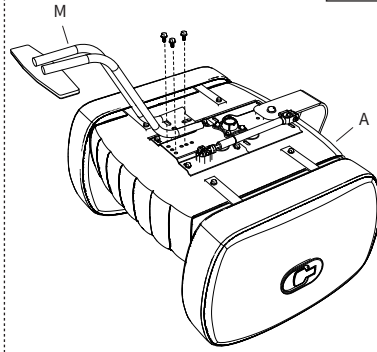
### 3 Install the footrest

3-1. Remove the pre-installed screws.

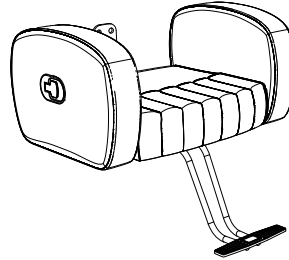


3-2. Align the footrest and the screw holes on the seat.

3-3. **Insert the three screws first**, then tighten them.



This step has been completed.



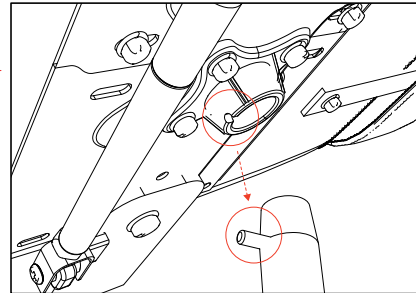
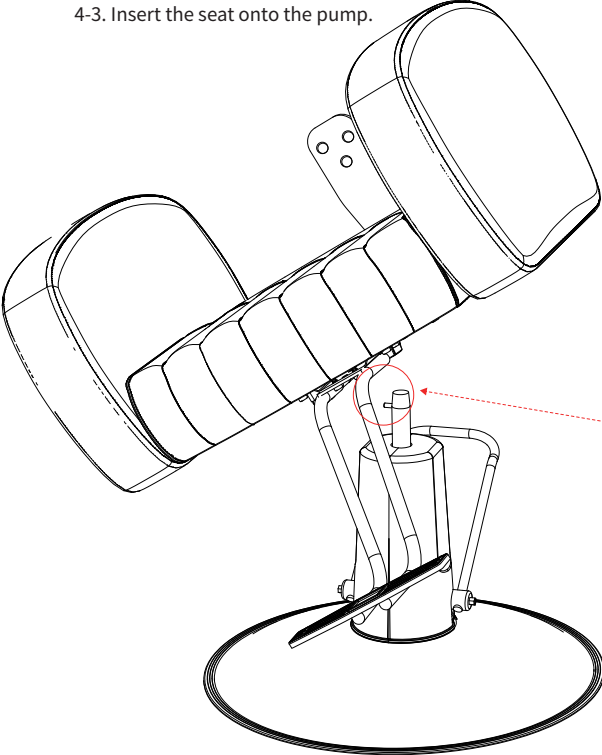
### 4 Install the seat to the pump

Two persons are recommended to complete this step.

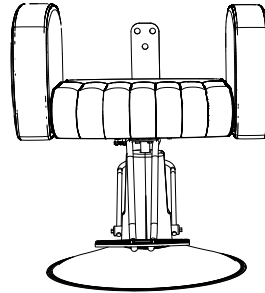
4-1. One person lifts the seat.

4-2. The other person adjusts the position of the seat from below.

4-3. Insert the seat onto the pump.

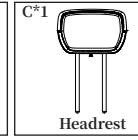
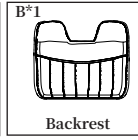
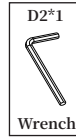


This step has been completed.



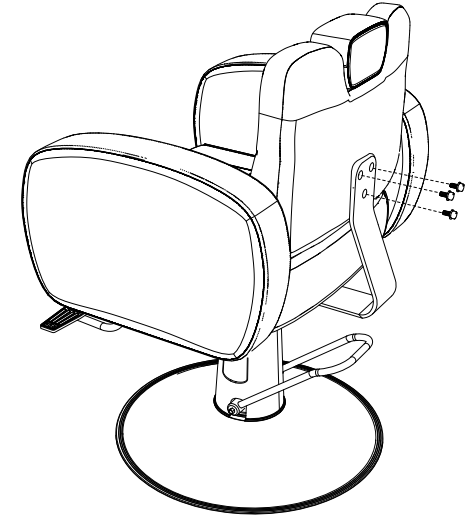
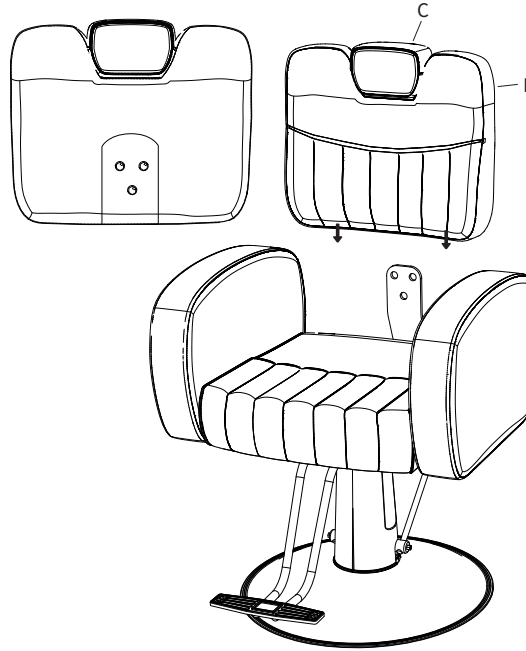
### 5 Install the backrest

5-1. Remove the pre-installed screws on the backrest.



5-2. Aligning the backrest with the screw holes on the seat.

5-3. **Insert the three screws first** and then tighten them.



Congratulations! You have completed the installation.

