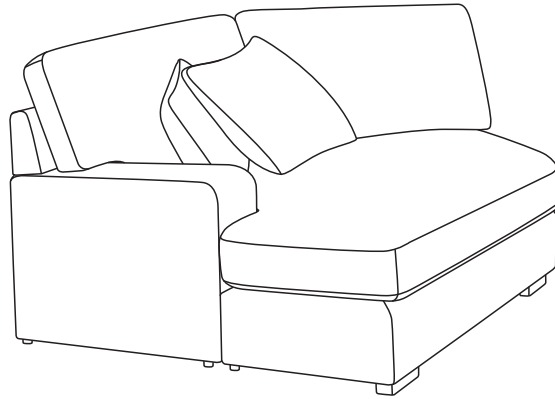


# ASSEMBLY INSTRUCTION

ITEM NO.:DV2805/DV2806



## PARTS LIST

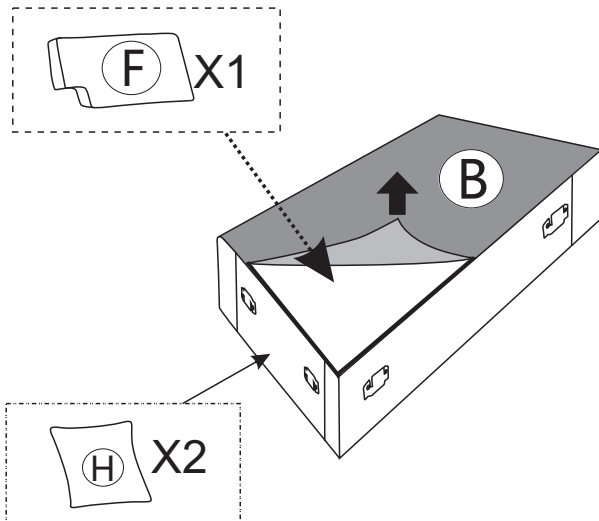
<b>A</b>	<b>B</b>	<b>C</b>	<b>D</b>	<b>E</b>	<b>F</b>
X1	X1	X1	X1	X1	X1
<b>G</b>	<b>H</b>	<b>I</b>			
X1	X2	X1			

## HARDWARE LIST

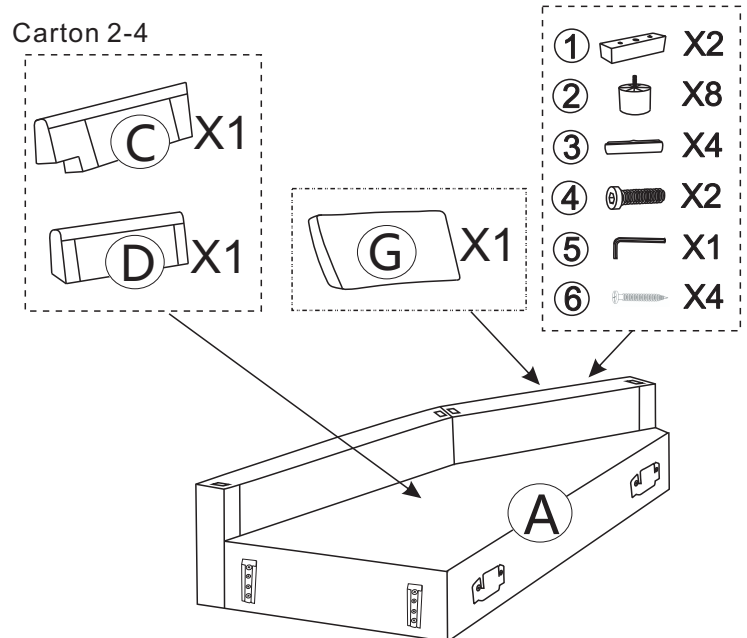
180x60x50mm	φ60x50mm		M8X60	M5	M5X50
<b>1</b>	<b>2</b>	<b>3</b>	<b>4</b>	<b>5</b>	<b>6</b>
X2	X8	X4	X2	X1	X4

### Packing Details

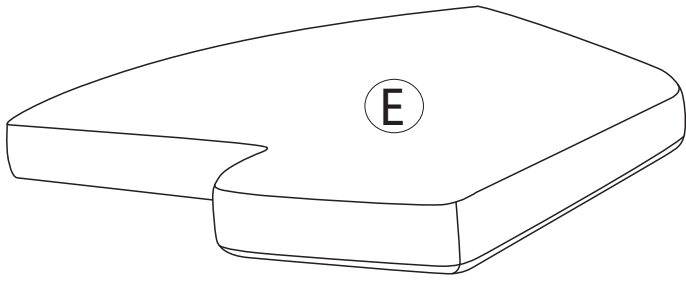
Carton 1-4



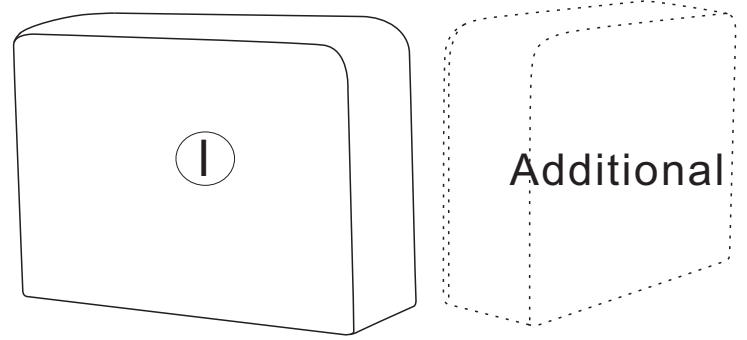
Carton 2-4



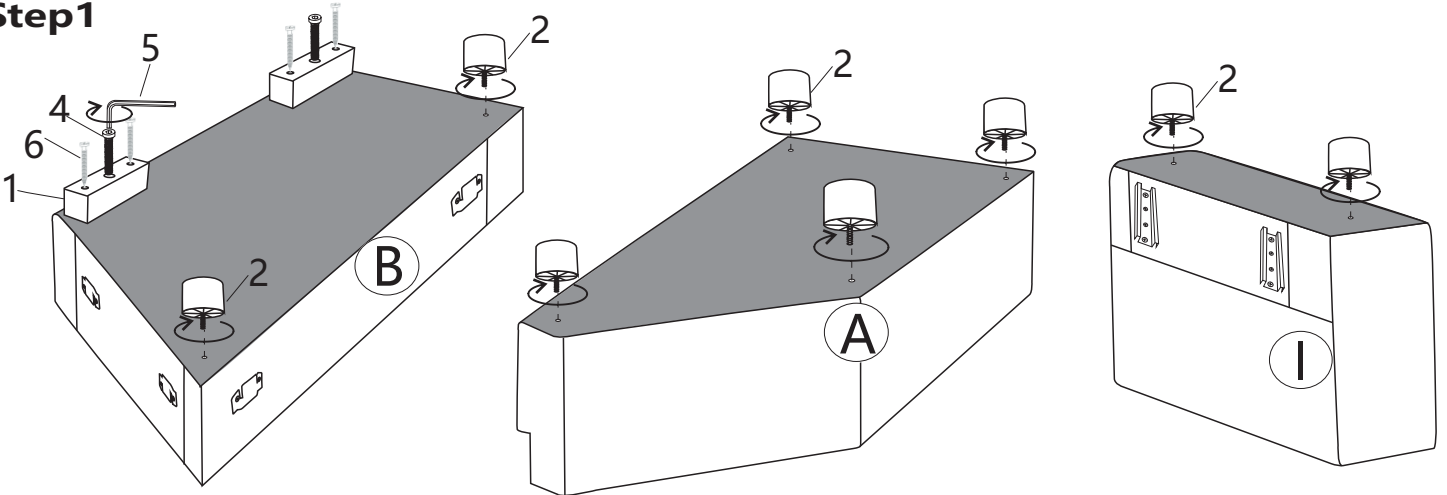
Carton 3-4



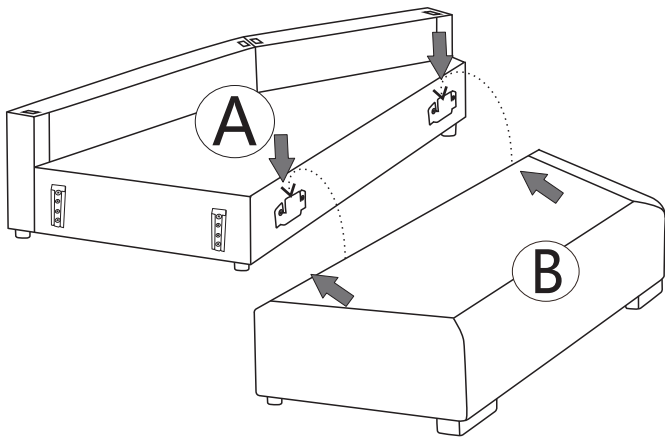
Carton 4-4



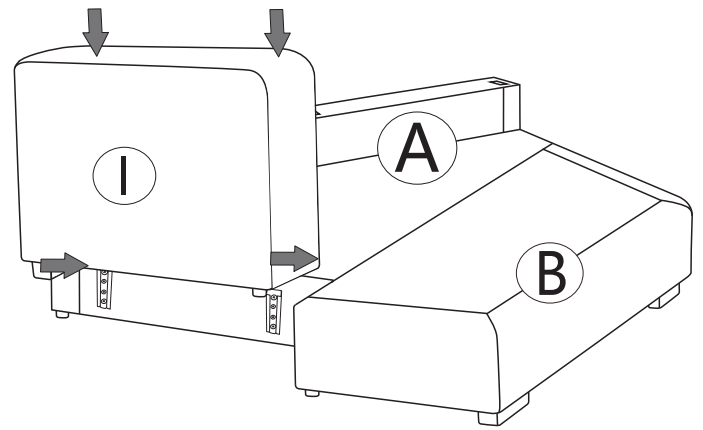
**Step1**



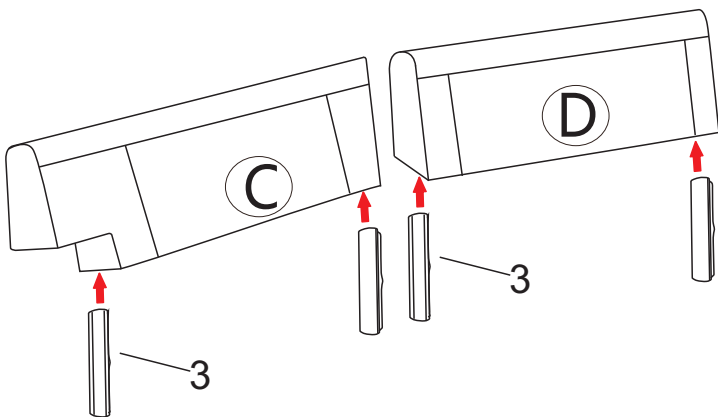
**Step2**



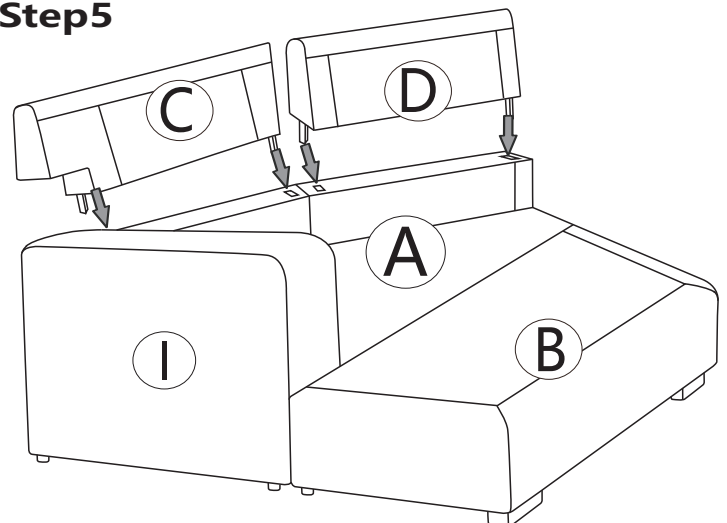
**Step3**



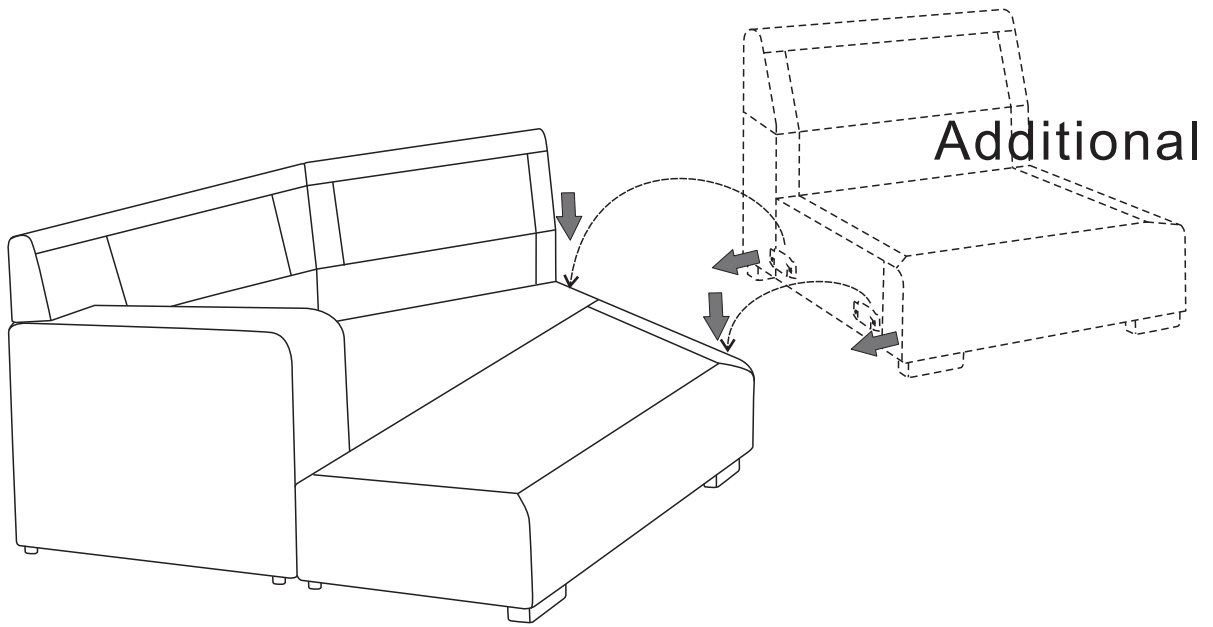
**Step4** Please pay attention to follow this step to assemble!



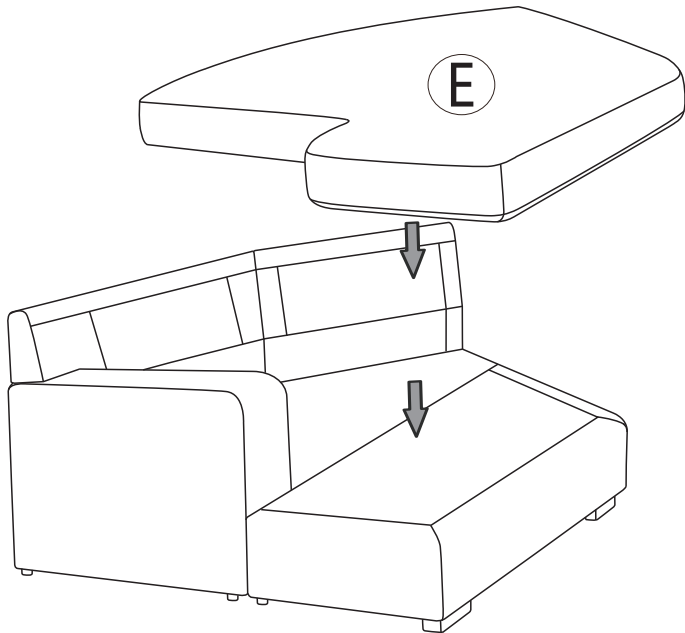
**Step5**



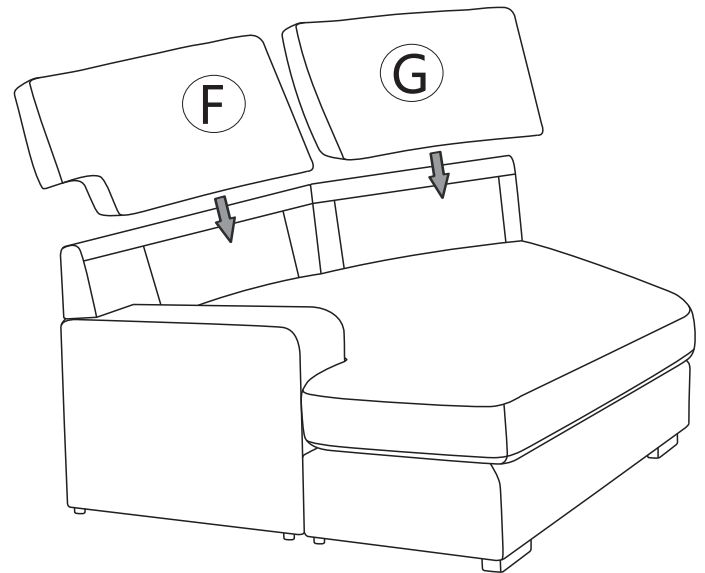
### Step6



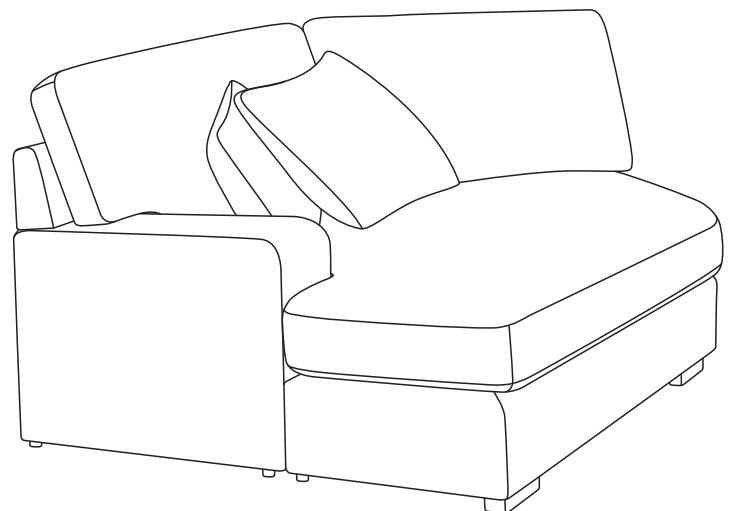
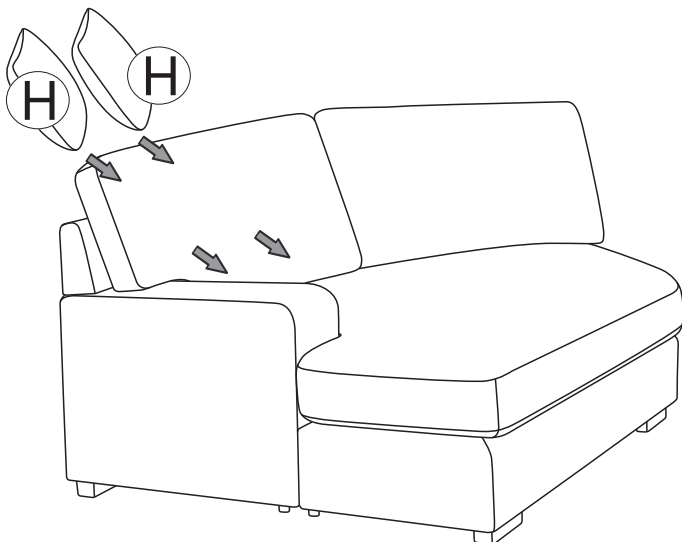
### Step7



### Step8

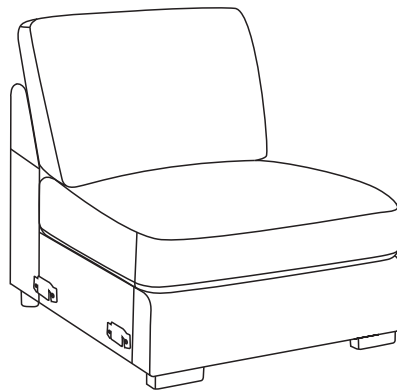


### Step9



# ASSEMBLY INSTRUCTION

ITEM NO.:DV2805/DV2806



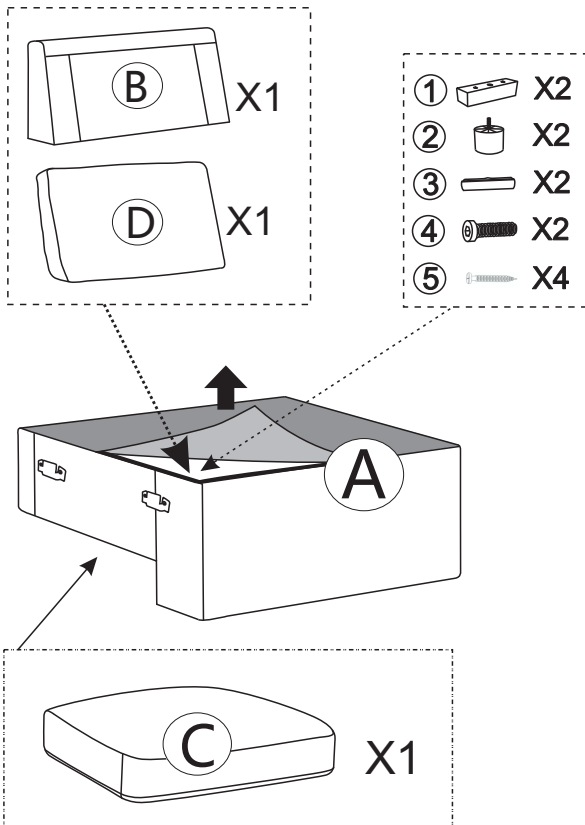
## PARTS LIST

<b>A</b>	<b>B</b>	<b>C</b>	<b>D</b>
X1	X1	X1	X1

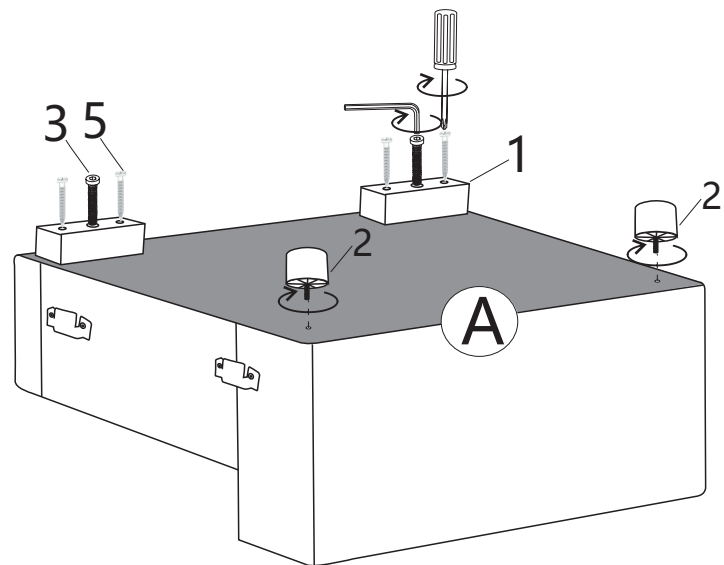
## HARDWARE LIST

180x60x50mm	φ 60x50mm		M8X60	M5X50
<b>1</b>	<b>2</b>	<b>3</b>	<b>4</b>	<b>5</b>
X2	X2	X2	X2	X4

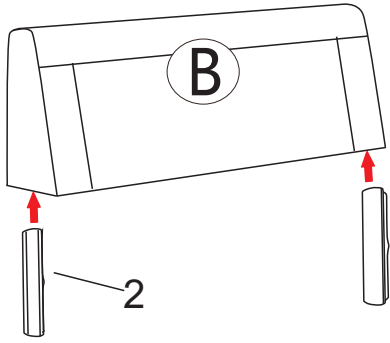
### Packing Details Carton 1-1



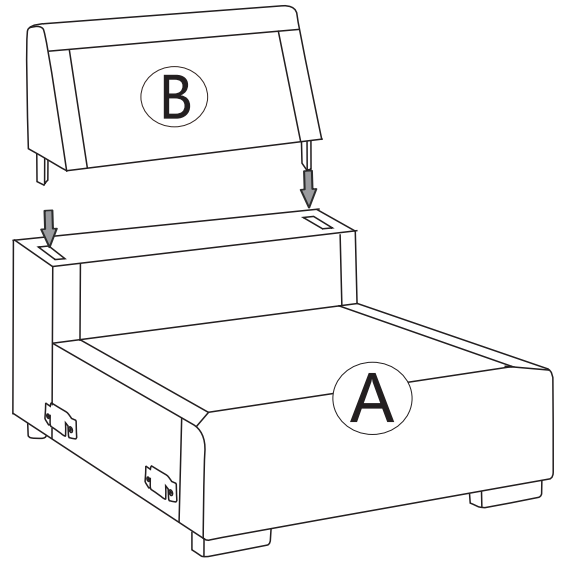
### Step1



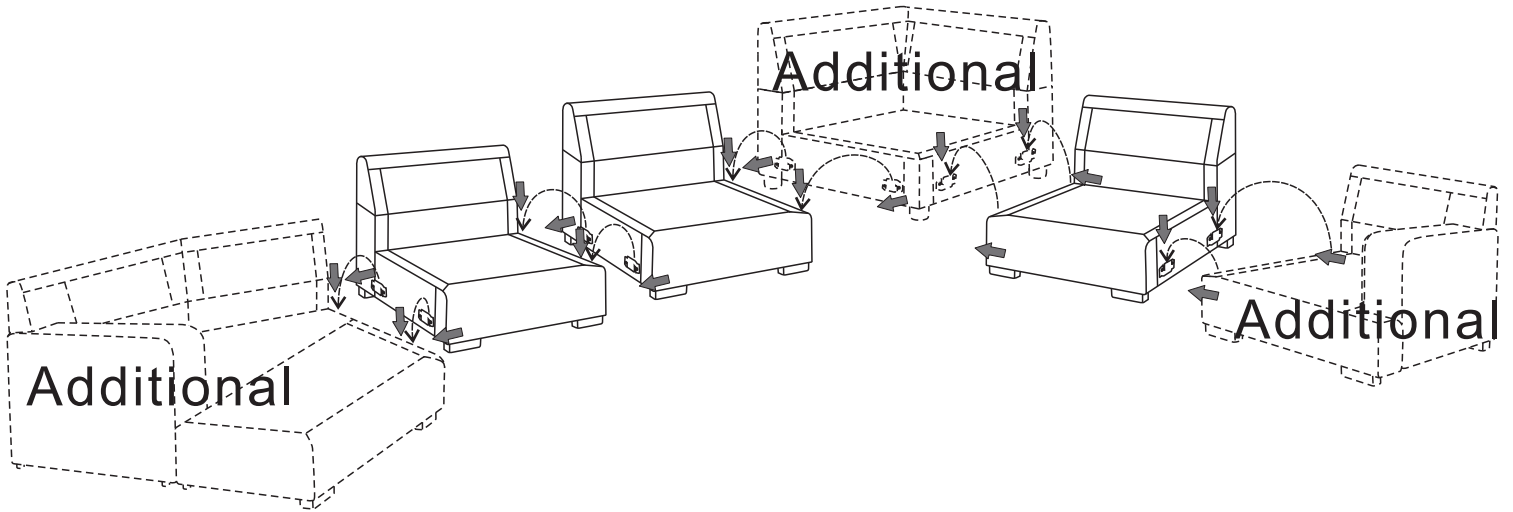
**Step2** Please pay attention to follow this step to assemble!



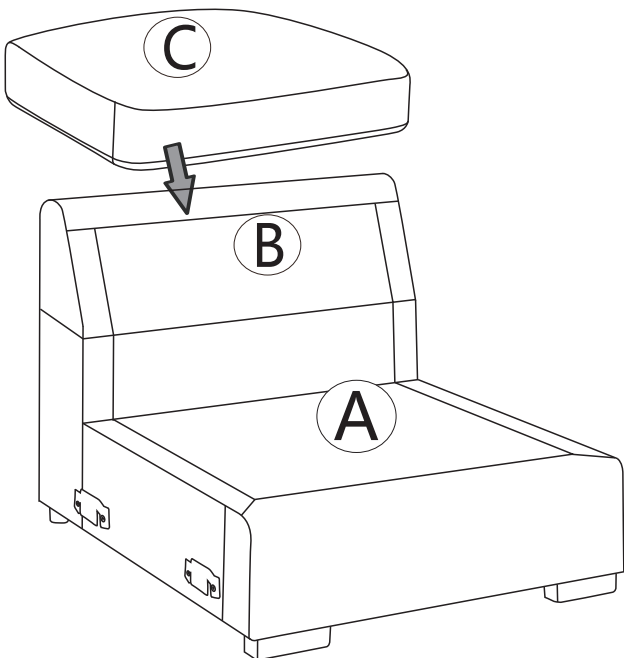
**Step3**



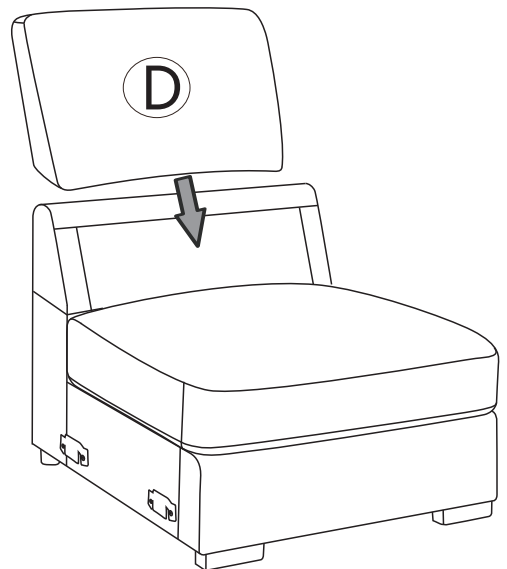
**Step4**



**Step5**

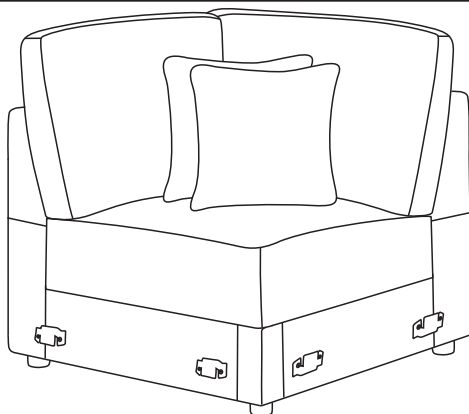


**Step6**

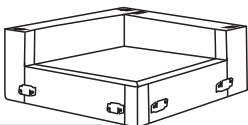
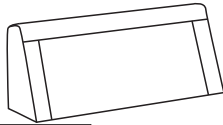
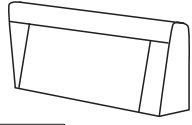
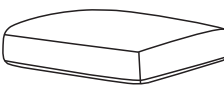
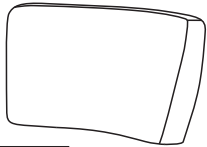
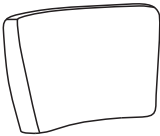


# ASSEMBLY INSTRUCTION


ITEM NO.:DV2805/DV2806

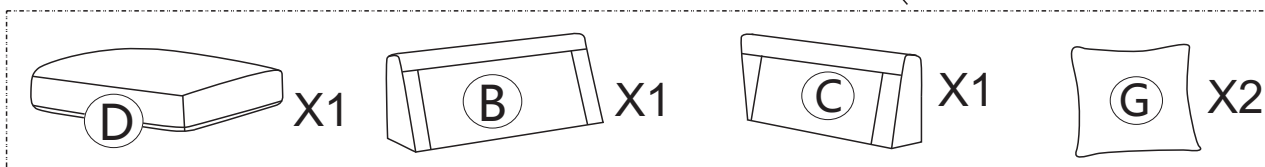
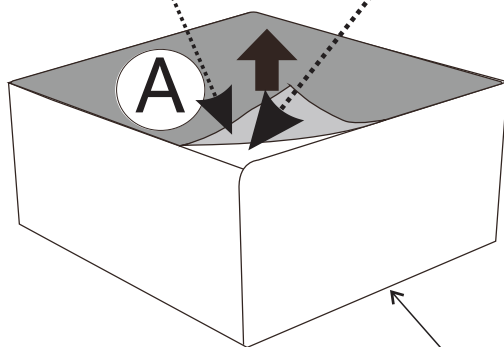
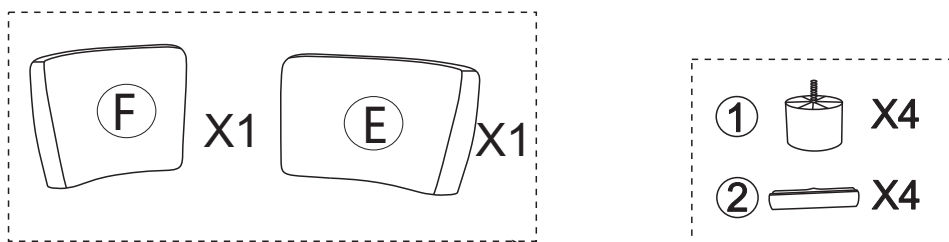


## PARTS LIST

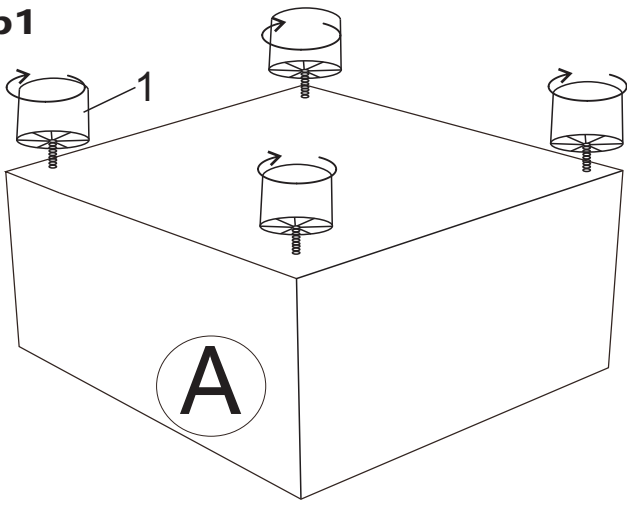
											
<b>A</b>	<b>X1</b>	<b>B</b>	<b>X1</b>	<b>C</b>	<b>X1</b>	<b>D</b>	<b>X1</b>	<b>E</b>	<b>X1</b>	<b>F</b>	<b>X1</b>

## HARDWARE LIST

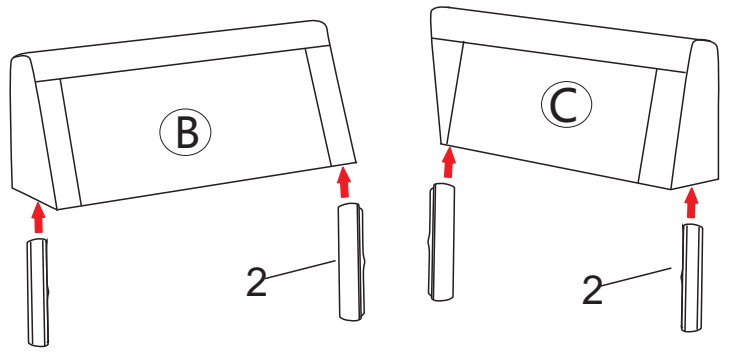
 Ø 60X50mm					
<b>1</b>	<b>X4</b>	<b>2</b>	<b>X4</b>	<b>G</b>	<b>X2</b>



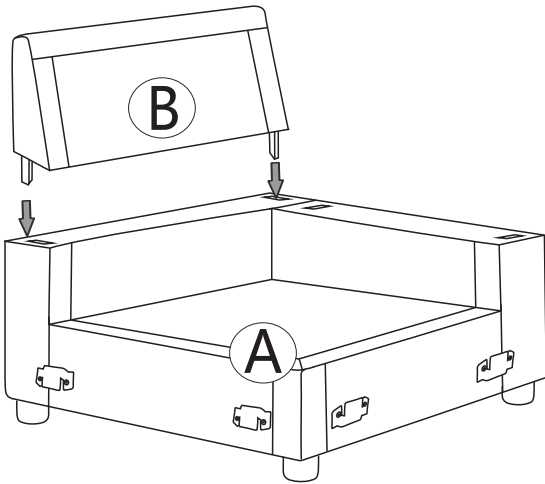
**Step1**



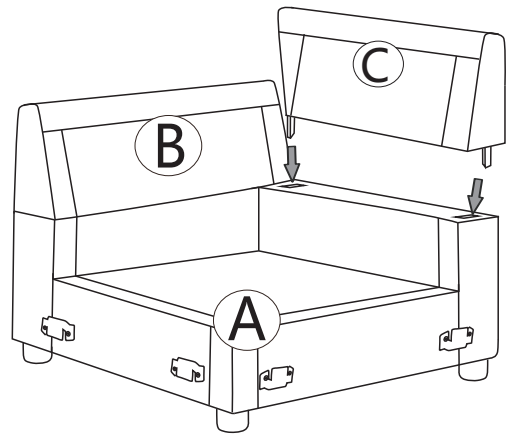
**Step2** Please pay attention to follow this step to assemble!



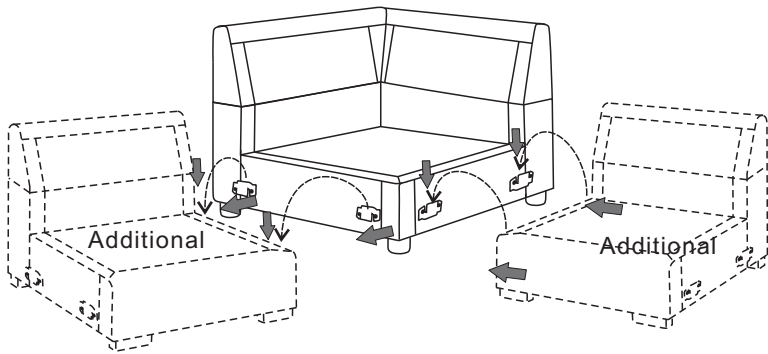
**Step3**



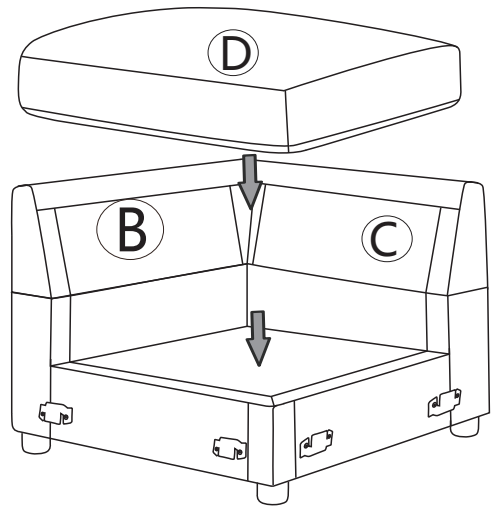
**Step4**



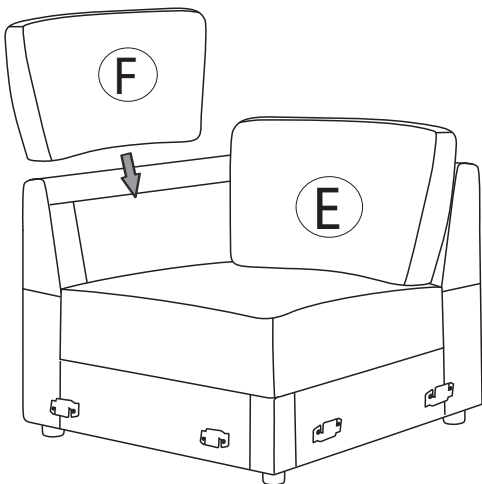
**Step5**



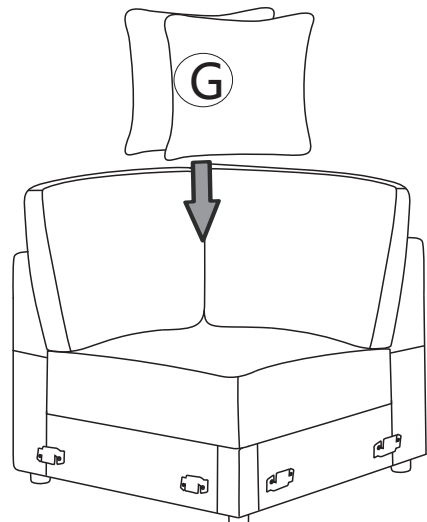
**Step6**



**Step7**

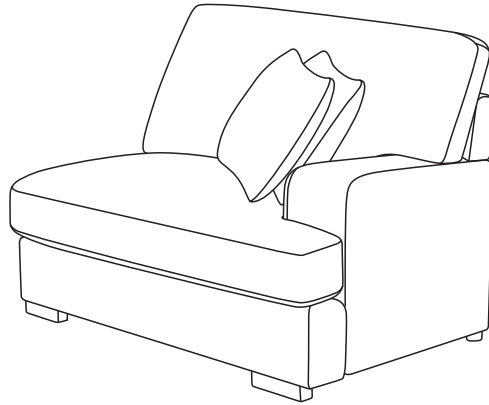


**Step8**



# ASSEMBLY INSTRUCTION

ITEM NO.:DV2805/DV2806



## PARTS LIST

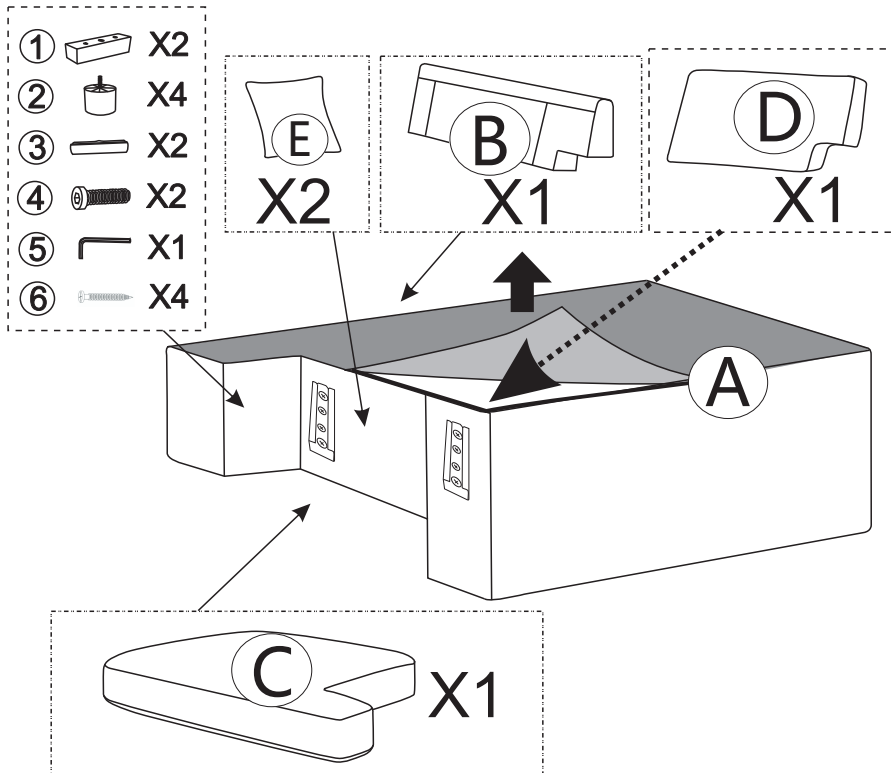
<b>A</b>	<b>B</b>	<b>C</b>	<b>D</b>	<b>E</b>	<b>F</b>
X1	X1	X1	X1	X2	X1

## HARDWARE LIST

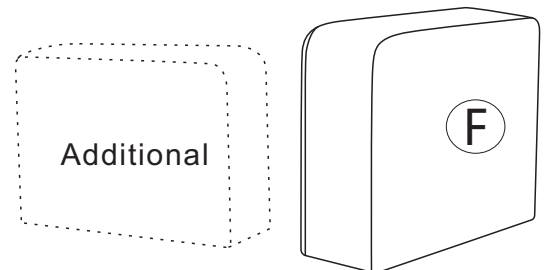
180x60x50mm	φ 60x50mm		M8X60	M5	M5X50
<b>1</b>	<b>2</b>	<b>3</b>	<b>4</b>	<b>5</b>	<b>6</b>
X2	X4	X2	X2	X1	X4

### Packing Details

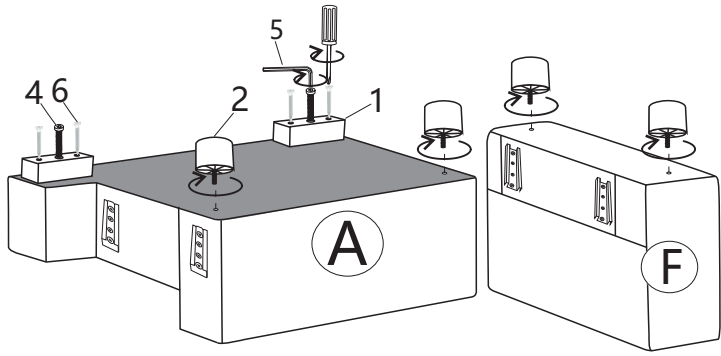
Carton 1-2



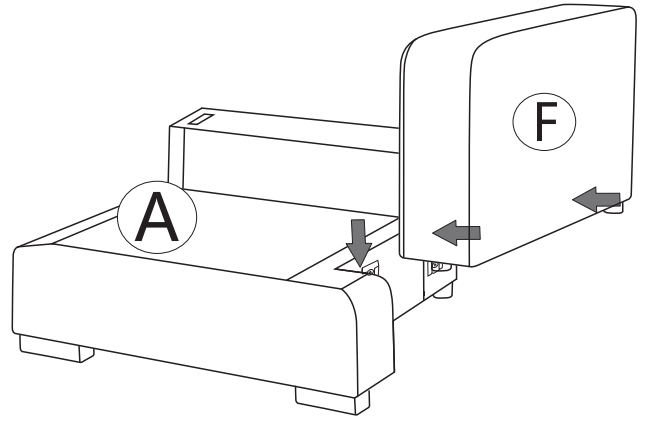
Carton 2-2



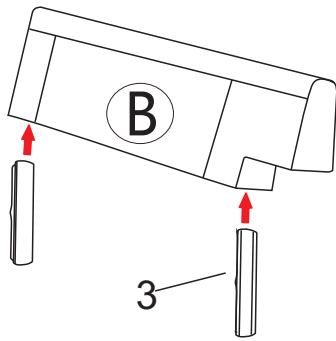
### Step1



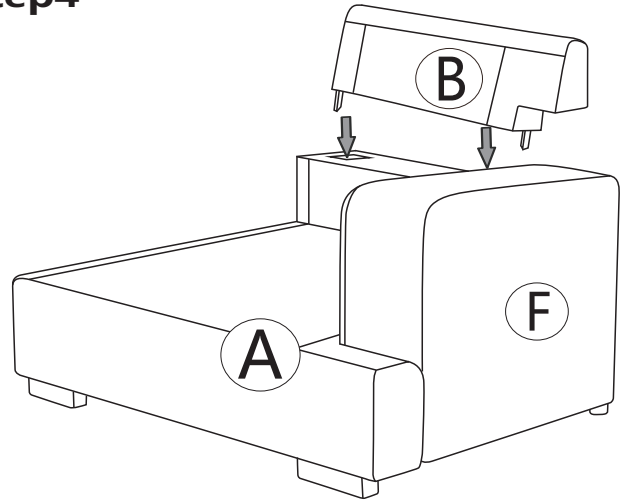
### Step2



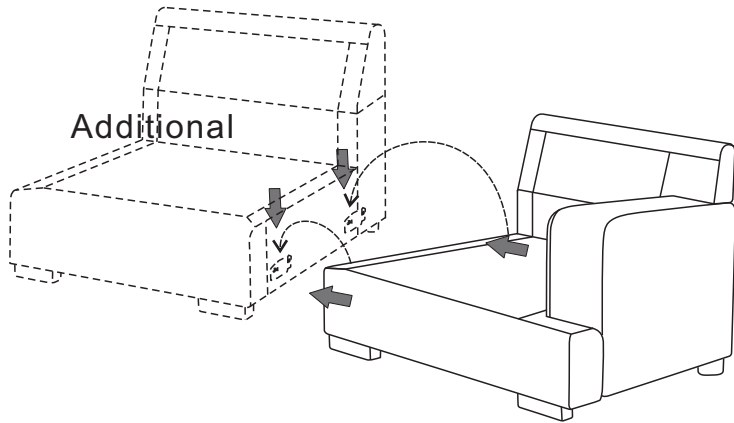
### Step3 Please pay attention to follow this step to assemble!



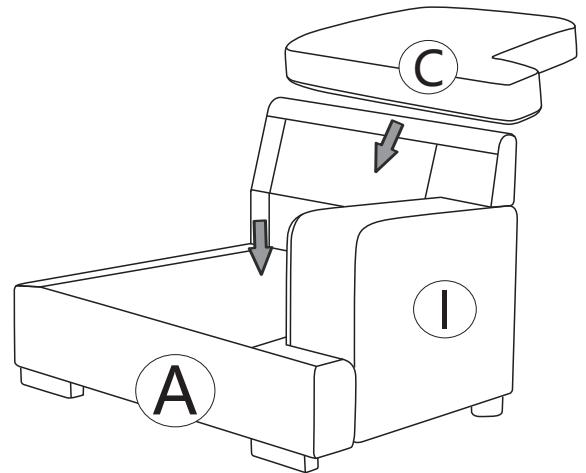
### Step4



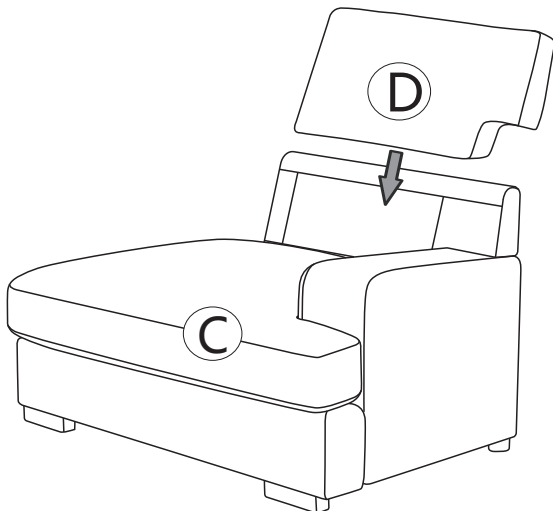
### Step5



### Step6



### Step7



### Step8

