

ATTENTION

PLEASE READ BEFORE OPENING + ASSEMBLING

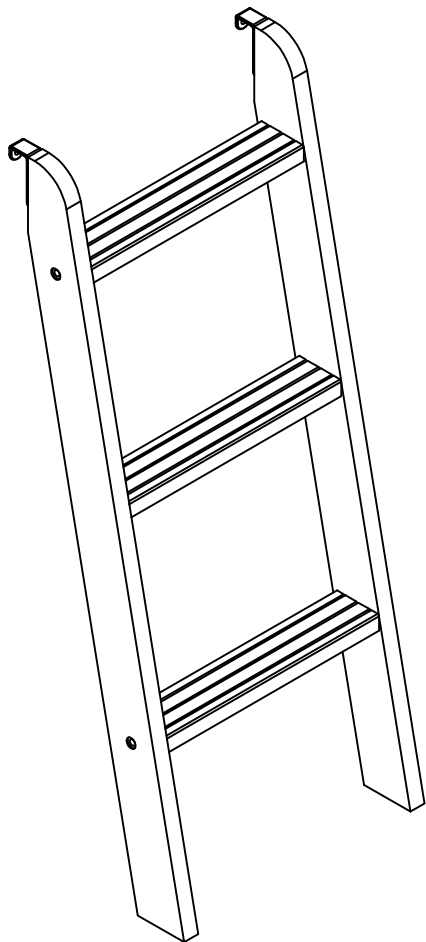
FAMILY OF BRANDS BUILT WITH YOUR FAMILY IN MIND.
WE APPRECIATE YOUR ORDER!

WE STAND BEHIND OUR PRODUCTS 100%

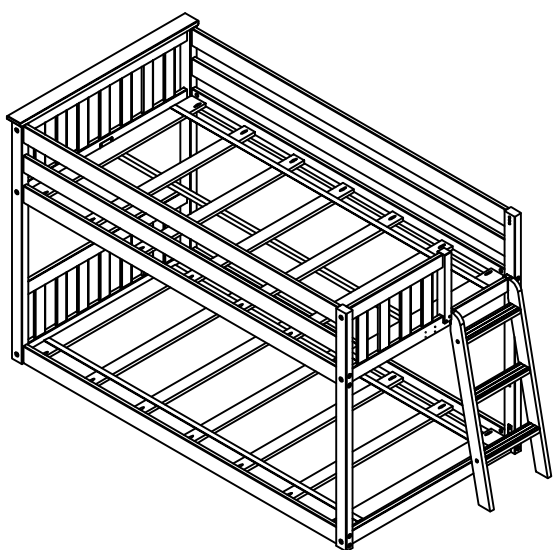
YOUR SATISFACTION IS OUR #1 GOAL.

**IF YOUR ORDER IS NOT PERFECT, OR IF YOU WOULD LIKE ANY
ASSISTANCE; PLEASE FEEL FREE TO CONTACT US**

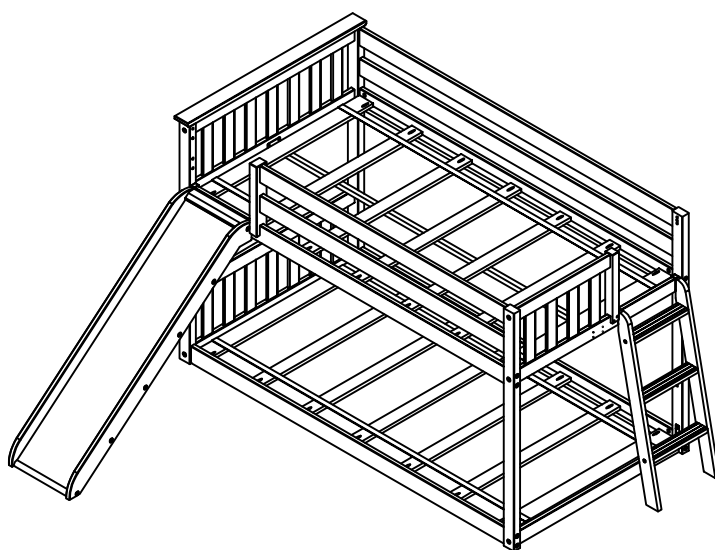
LADDER FOR LOW BUNK
ECHELLE POUR LIT SUPERPOSÉ BAS
ESCALERA RECTA PARA LITERA BAJA

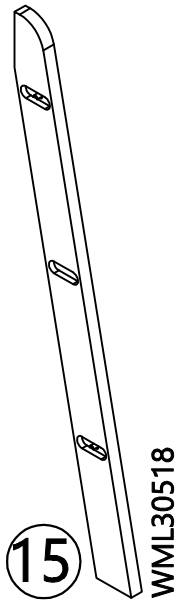


A



B

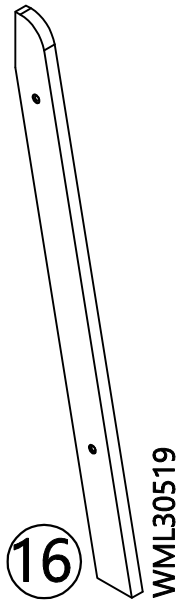




15

WML30518

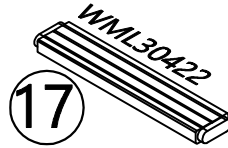
1x



16

WML30519

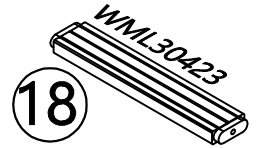
1x



17

WML30422

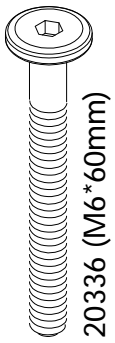
1x



18

WML30423

2x



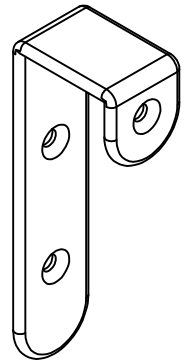
20336 (M6*60mm)

4x



20591 (φ6*13mm)

4x



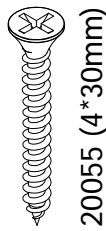
20666 (70*30*20mm)

2x



20615 (4mm)

1x



20055 (4*30mm)

4x



20012 (3*19mm)

2x

⚠ WARNING:

CHOKING HAZARD
Small Parts
Not for children under 3 years.
To be Assembled by an Adult

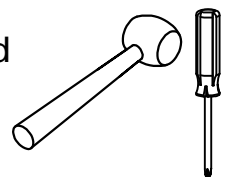
⚠ ATTENTION:

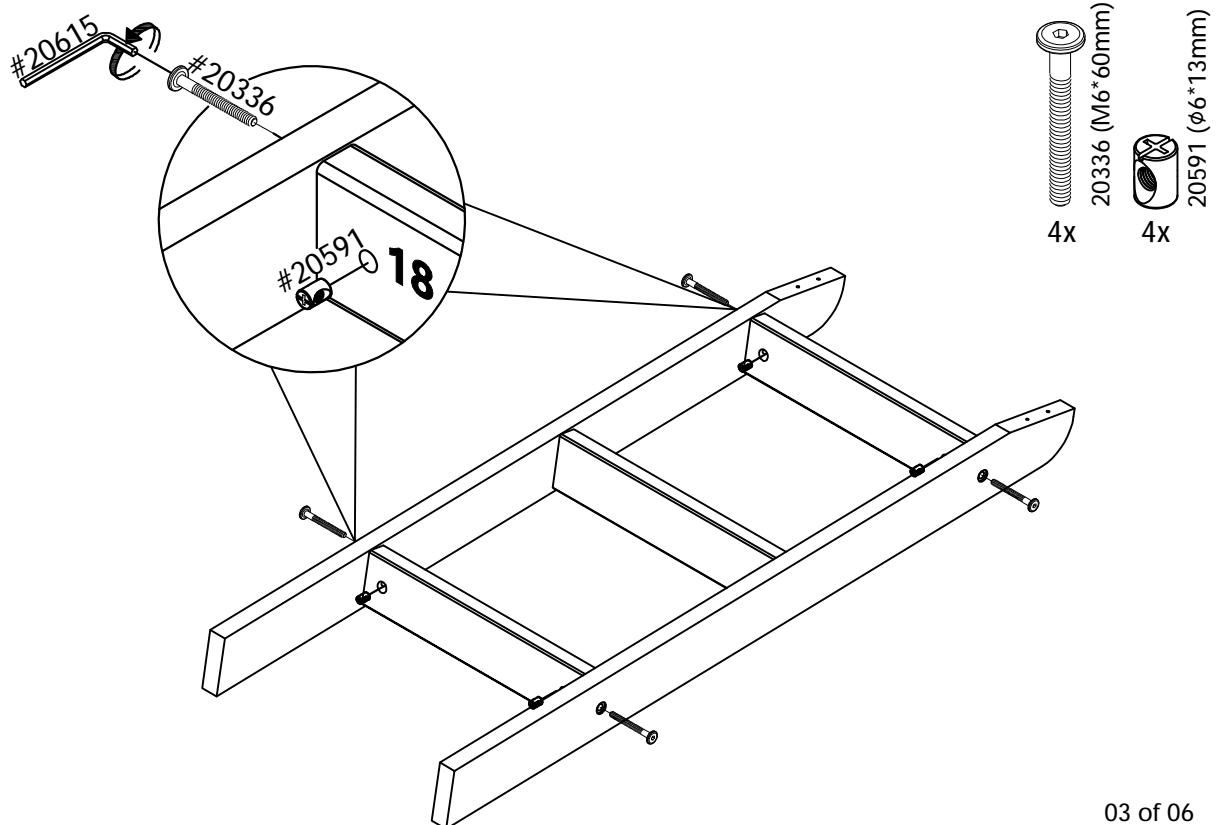
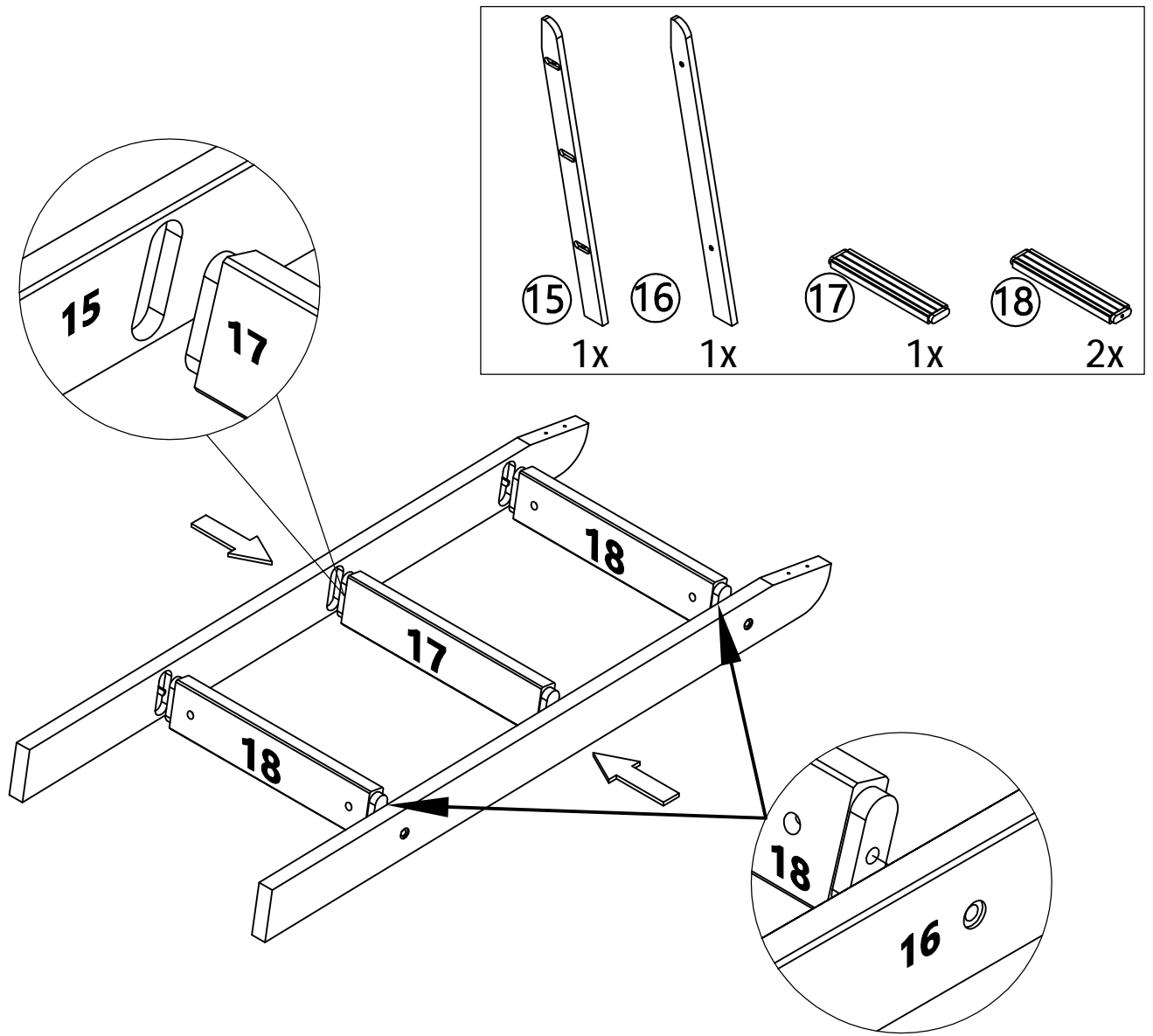
RISQUE D'ÉTOUFFEMENT
Petites parties
Ne convient pas aux enfants de moins de 3 ans.
Doit être assemblé par un adulte

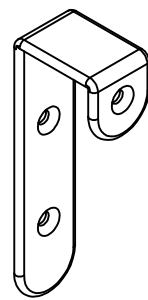
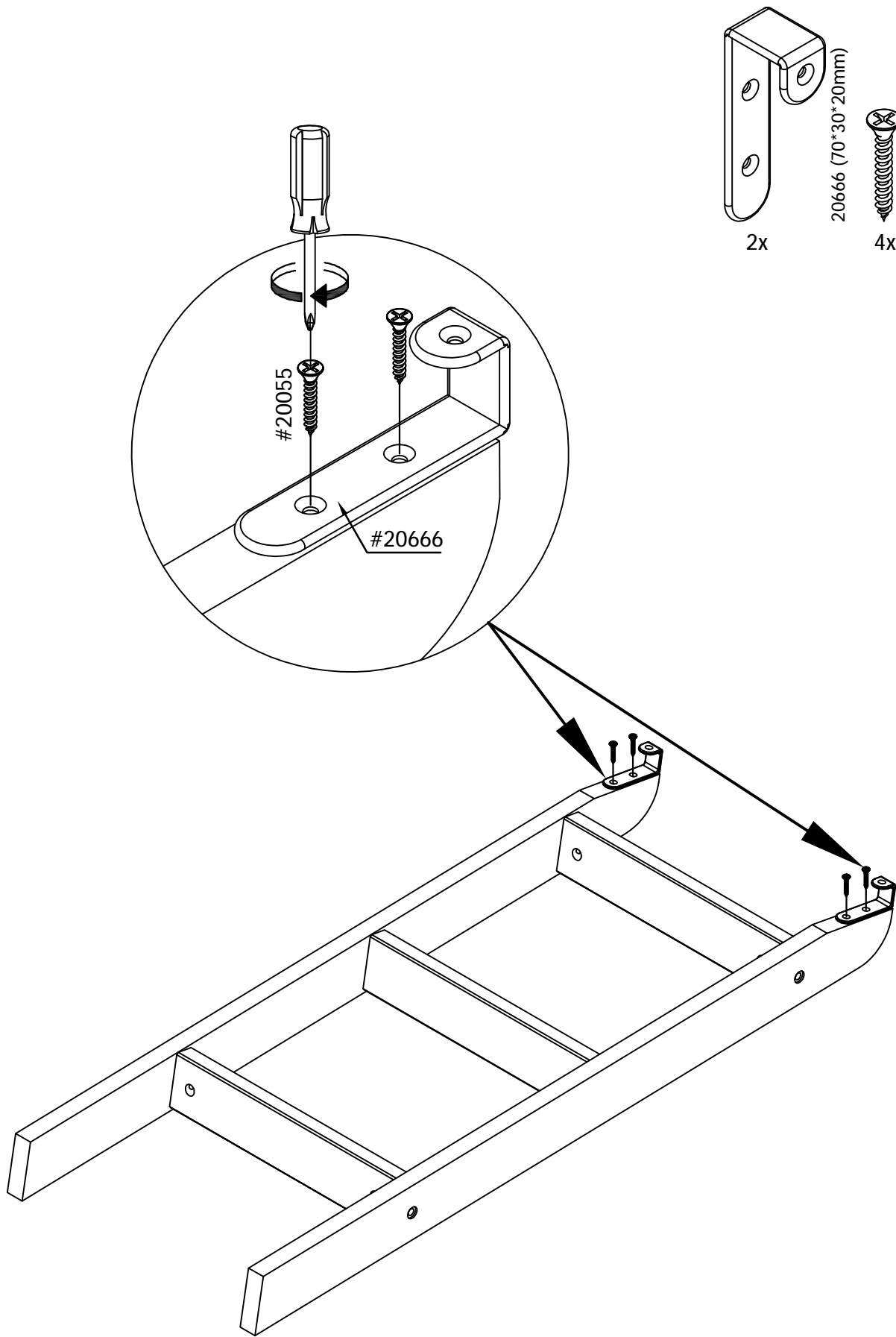
⚠ ADVERTENCIA

PELIGRO DE ASFIXIA
Partes pequeñas
No apta para niños menores de 3 años
A ser ensamblado por un adulto

Not Included
Non Inclus
No Incluido

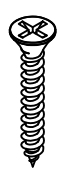






2x

20666 (70*30*20mm)



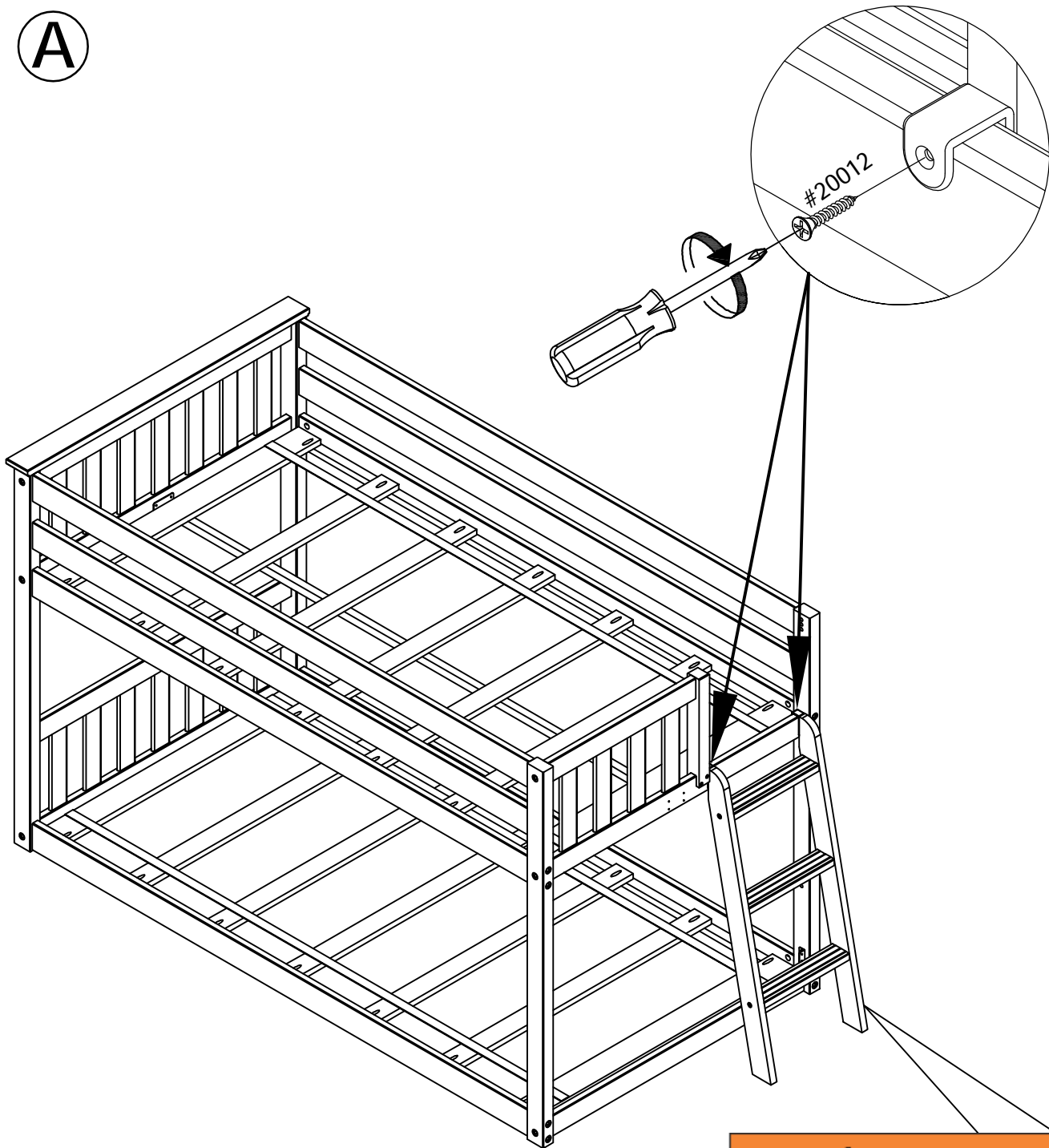
4x

20055 (4*30mm)



~~20012 (3*19mm)~~

A



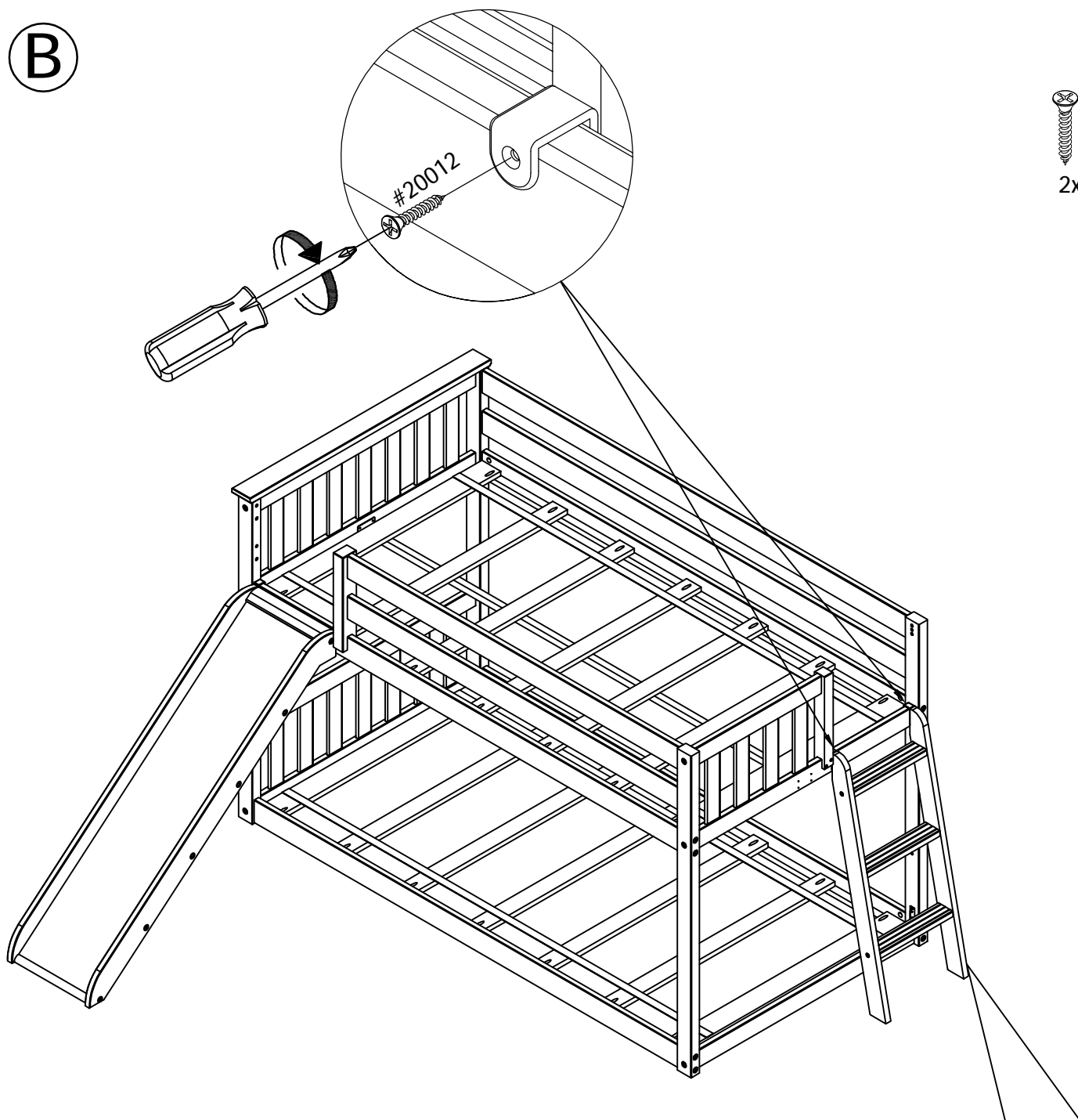
2x

20012 (3*19mm)

⚠ WARNING

To prevent serious injury, do not use ladder until properly installed. Observing the following statements and warnings reduces the likelihood of serious or fatal injury. Only one user on ladder at a time, weighing no more than 200lbs. Use two hands when using ladder. Always face ladder when climbing or descending. Do not carry heavy load while on ladder. Keep body between sides of ladder. Do not jump off or onto ladder.

B



 20012 (3*19mm)
2x

⚠ WARNING

To prevent serious injury, do not use ladder until properly installed. Observing the following statements and warnings reduces the likelihood of serious or fatal injury. Only one user on ladder at a time, weighing no more than 200lbs. Use two hands when using ladder. Always face ladder when climbing or descending. Do not carry heavy load while on ladder. Keep body between sides of ladder. Do not jump off or onto ladder.

ENGLISH

Thank you for your purchase. We hope you and your kids will love it! Please keep these assembly instructions for future reference.

Important:

Safety is our number one concern – please follow these simple safety tips:

Remember to check and tighten bolts/hardware once every few month, as these may loosen with use over time.

Make sure to anchor your large dressers to the wall with the free anti-tip kit provided.

Read and follow the safety instructions on the card attached to the front of your dresser.

Replacement Parts:

In case there is a problem with your product such as missing hardware, please contact your local dealer from whom you purchased the product, and they will be able to provide you with further information on how to obtain replacements.

FRANÇAIS

Merci pour votre achat de . Nous espérons que vous et vos enfants l'aimeront. Veuillez conserver cette notice de montage pour une consultation ultérieure.

Important :

La sécurité est notre première préoccupation – veuillez suivre ces simples conseils de sécurité :

N'oubliez pas de vérifier et de serrer les boulons/la quincaillerie une fois tous les deux ou trois mois car ces derniers peuvent se desserrer avec le temps.

Assurez-vous d'ancrer vos grosses commodes au mur à l'aide de la trousse anti-basculement fournie.

Pièces de rechange :

En cas de problème avec votre produit comme de la quincaillerie manquante, veuillez contacter le distributeur local à qui vous avez acheté le produit, ce dernier pourra vous fournir plus d'information sur comment obtenir les pièces de rechange.

ESPAÑOL

Gracias por su compra de . Esperamos que usted y sus hijos les encantará. Conserve estas instrucciones de montaje para futuras consultas.

Importante:

La seguridad es nuestra preocupación número uno - siga estos sencillos consejos de seguridad:

Recuerde revisar y apretar tornillos / herrajes una vez cada pocos meses, ya que estos pueden aflojarse con el uso a lo largo del tiempo.

Asegúrese de anclar sus aparadores grandes a la pared con el kit anti-tip gratuito proporcionado. Lea y siga las instrucciones de seguridad de la tarjeta colocada en la parte frontal de la cómoda.

Piezas de repuesto:

En caso de que se produzca un problema con el producto, como el hardware faltante, póngase en contacto con

Su distribuidor local de quien adquirió el producto, y ellos podrán proporcionarle más información sobre cómo obtener los reemplazos.