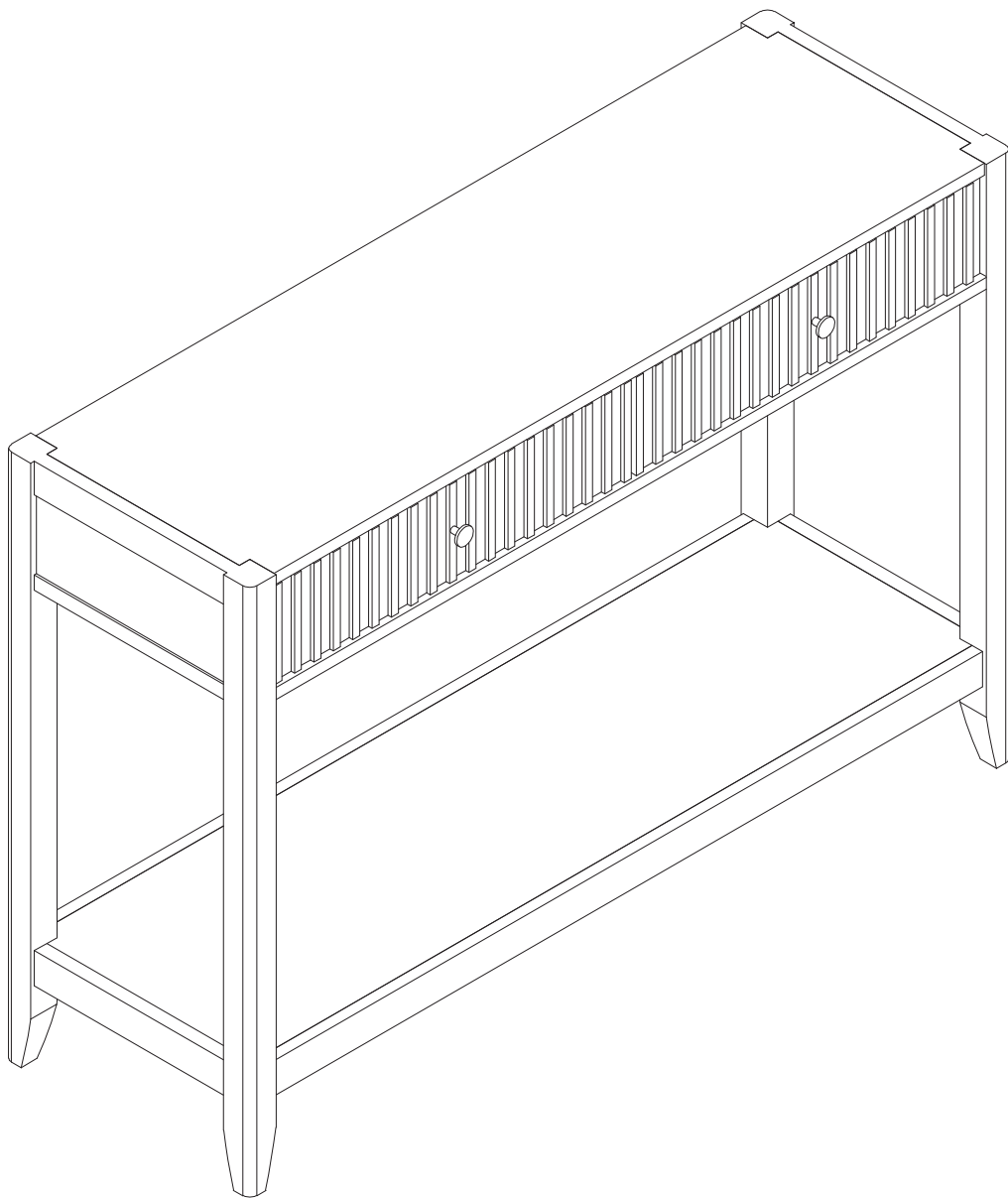


ASSEMBLY INSTRUCTION

Fluted Console Table





Notice:

1. Follow the installation instruction. Please confirm all accessories are presented before installation.
2. Do not fully tighten the screws during initial assembly. Fully tighten screws only once all pieces which are correctly assembled.
3. If you encounter any problems during installation, please contact our customer service.

Item no.	Reference Image	Qty.
①		x1
②		x1
③		x1
④		x1
⑤		x1
⑥		x1
⑦		x1
⑧		x2

Item no.	Reference Image	Qty.
⑨		x1
⑩		x2
⑪		x2
⑫		x2
⑬		x2
⑭		x1
⑮		x1



Item no.	Reference Image	Qty.
A		× 35+2 (Spare)
B		× 35+2 (Spare)
C		× 32+2 (Spare)
D		× 10+1 (Spare)
E		× 20+2 (Spare)
F		× 1
		× 2
		× 2

Item no.	Reference Image	Qty.
J		× 3
K		× 2
L		× 2 (Longer)
M		× 2
N		× 2

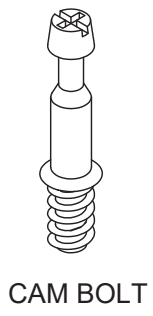
Note: We have already printed the markings "CL," "CR," "DL," and "DR" directly onto the product. You can locate them on the slide itself.



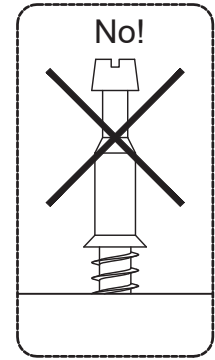
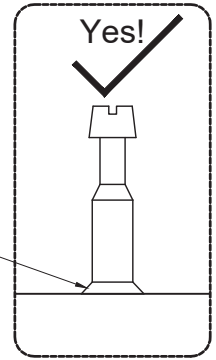
Hardware Usage Guide

HOW TO USE A CAM LOCK & CAM BOLT OR CAM DOWEL?

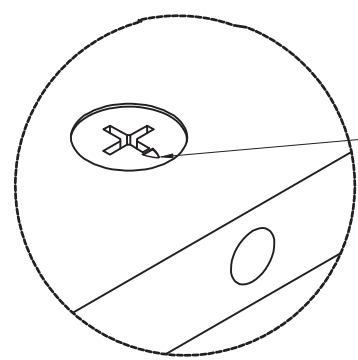
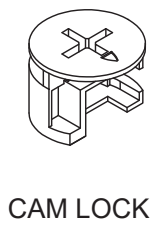
1. NOTE: CAM BOLT or a CAM LOCK may be used.



Turn the CAM BOLT until the shoulder is against the surface of the part.

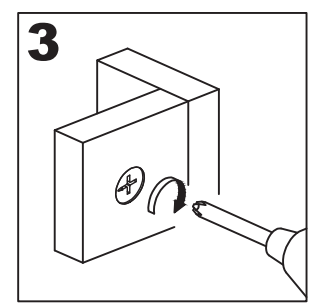
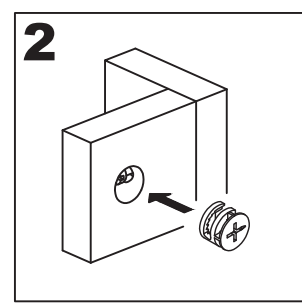
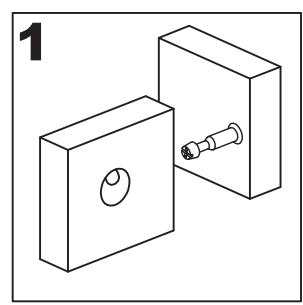


2.

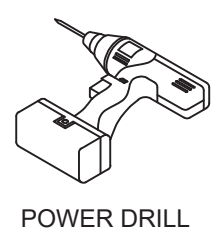
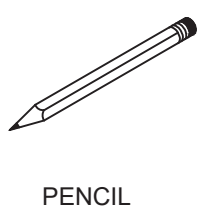


Push a CAM LOCK into the part. The arrow in the CAM LOCK must point toward the hole in the edge of the board.

3. Insert the CAM BOLT into the CAM LOCK. Tighten the CAM LOCK.

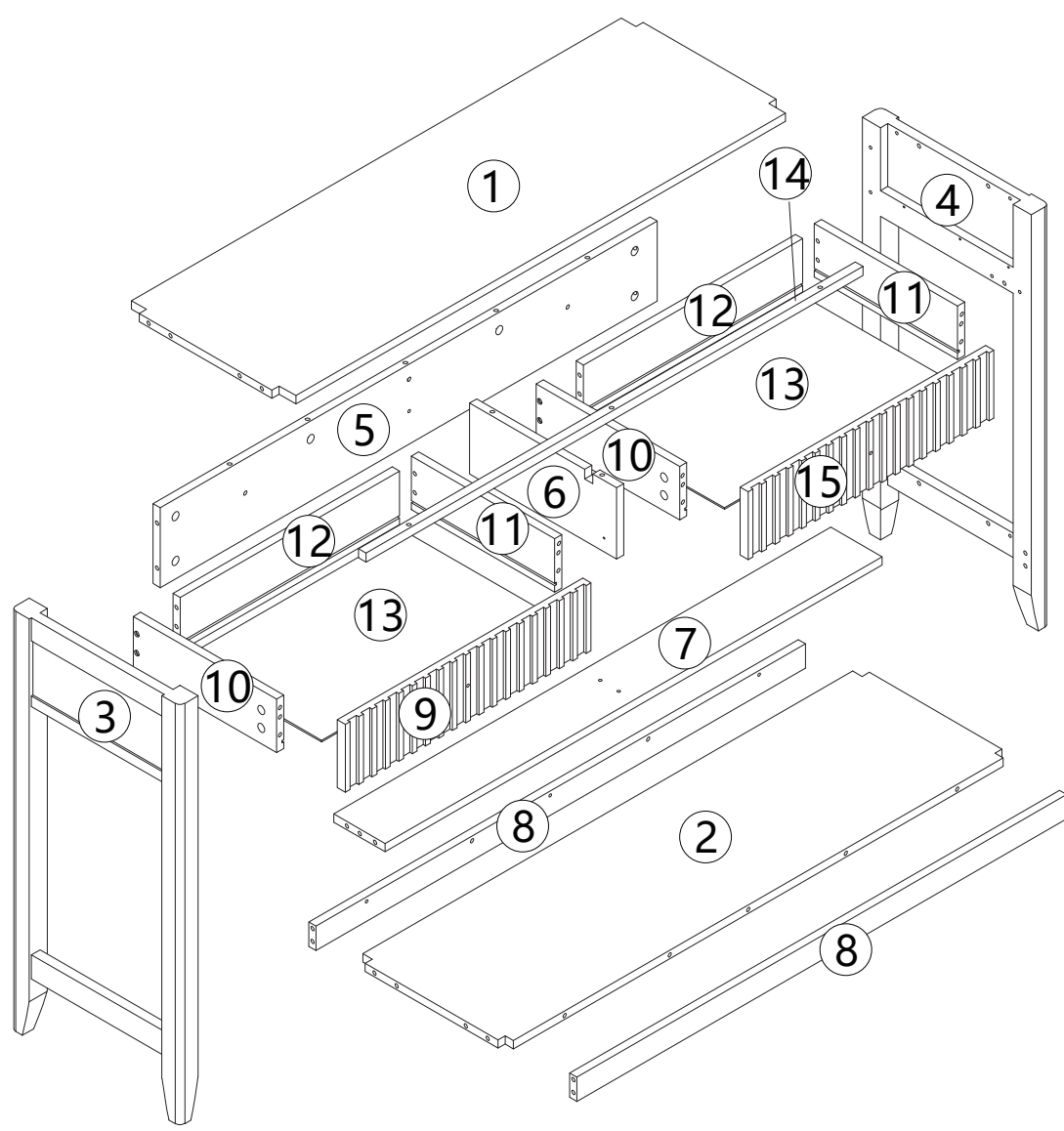


TOOLS REQUIRED





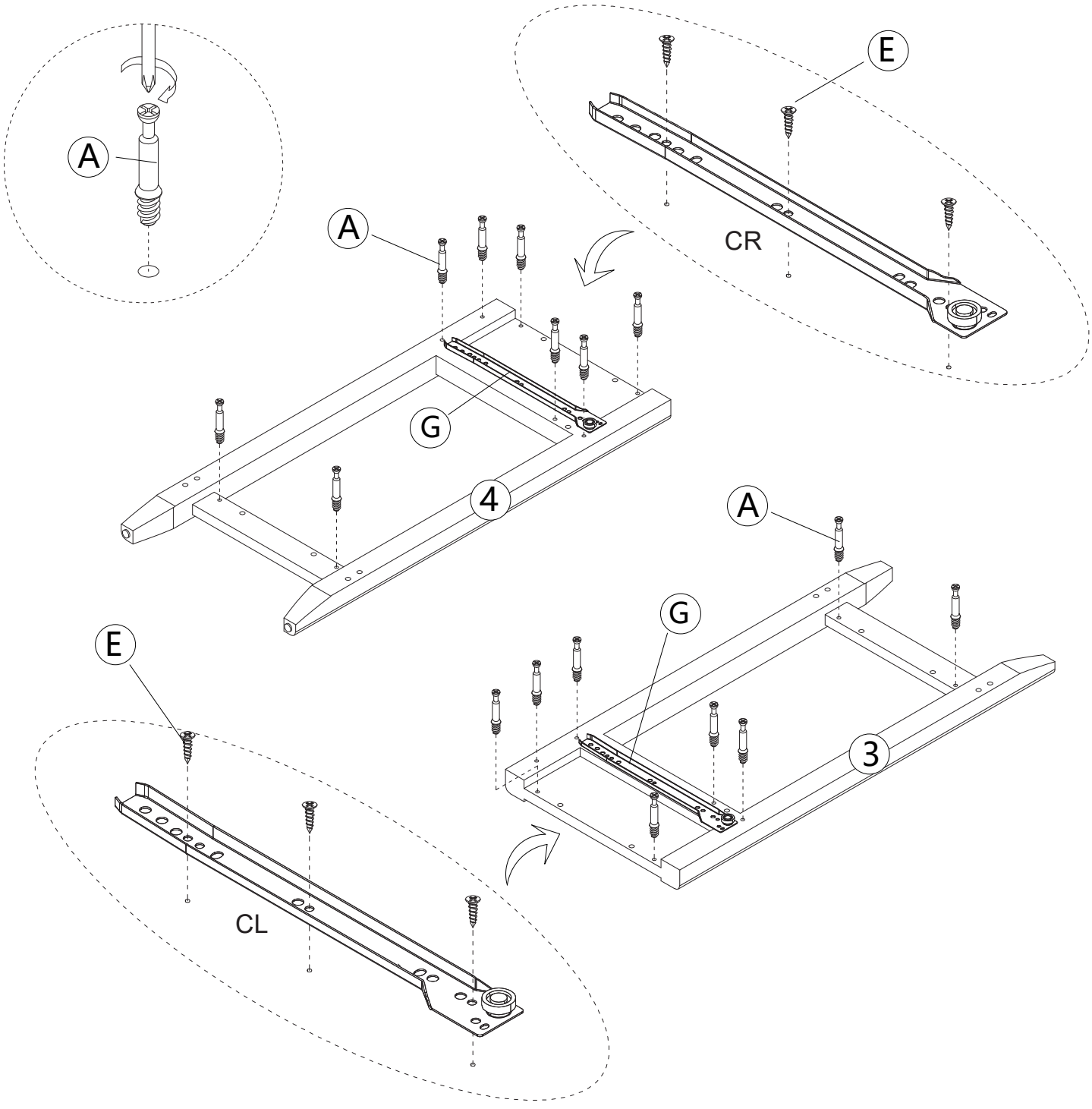
Explosion Diagram





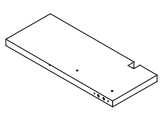
1

- ③ 1PC
- ④ 1PC
- Ⓐ 16PCS
- 1PC
- Ⓔ 6PCS

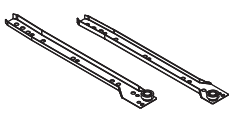




2



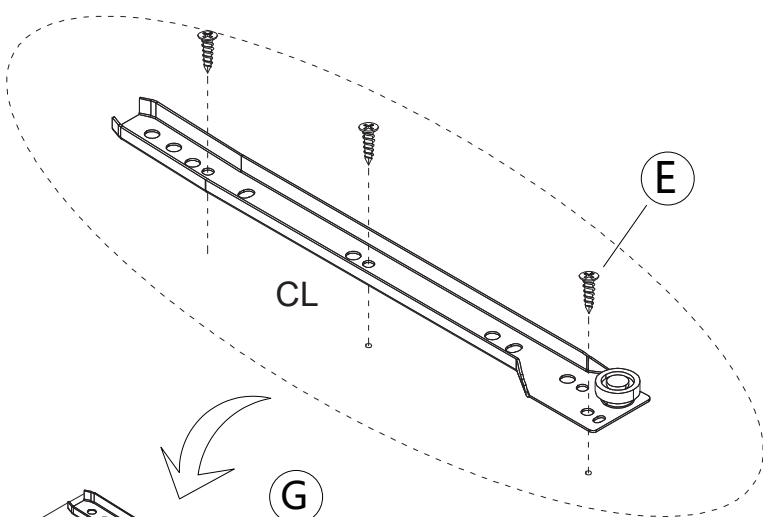
⑥ 1PC



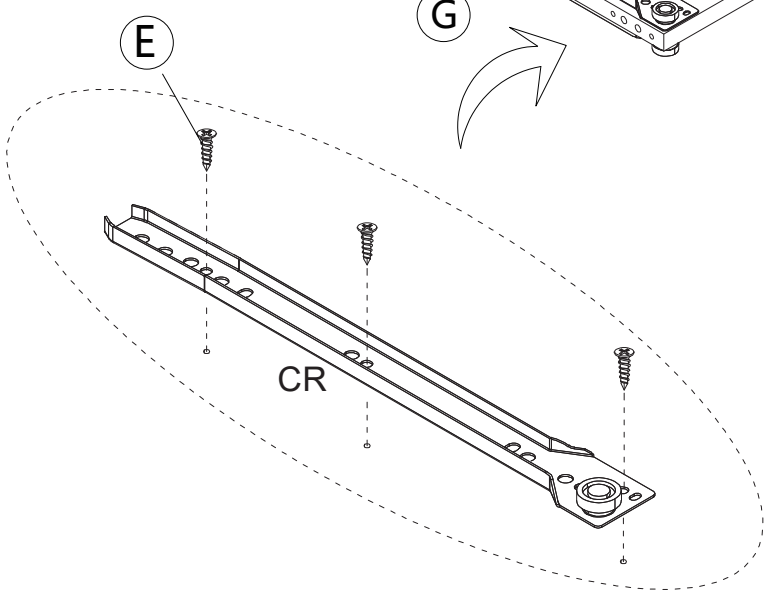
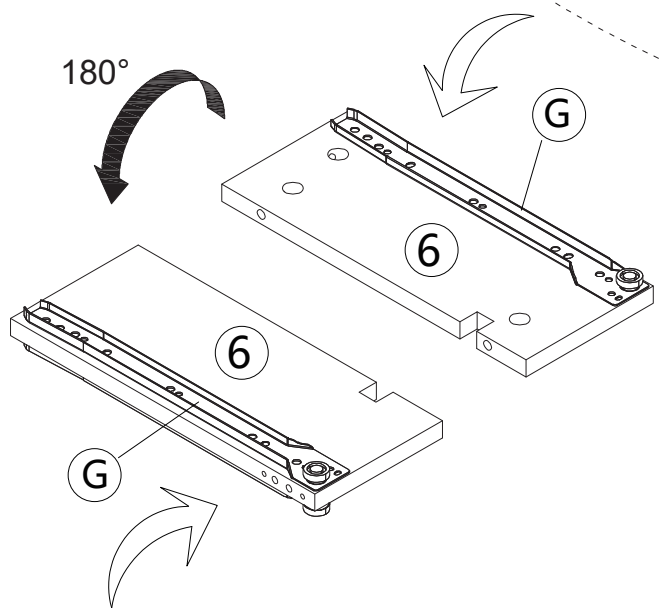
1PC



ⓔ 6PCS

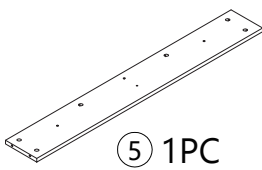


180°

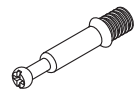




3



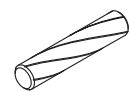
⑤ 1PC



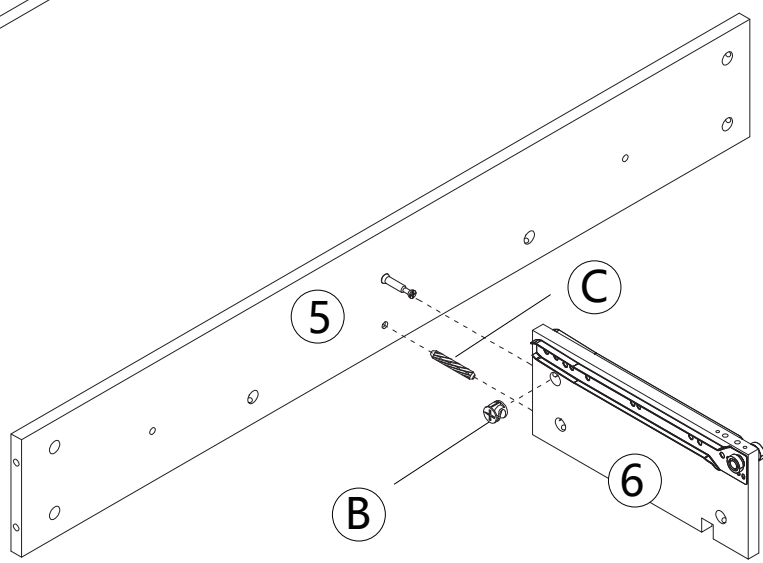
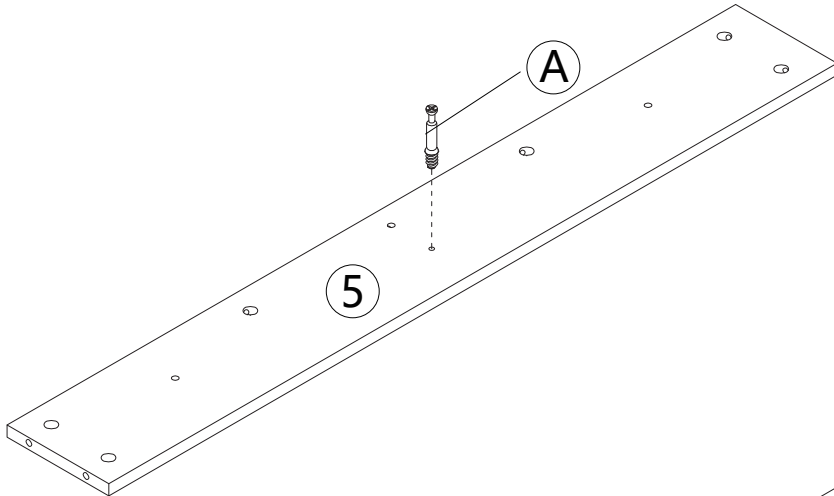
Ⓐ 1PC



Ⓑ 1PC



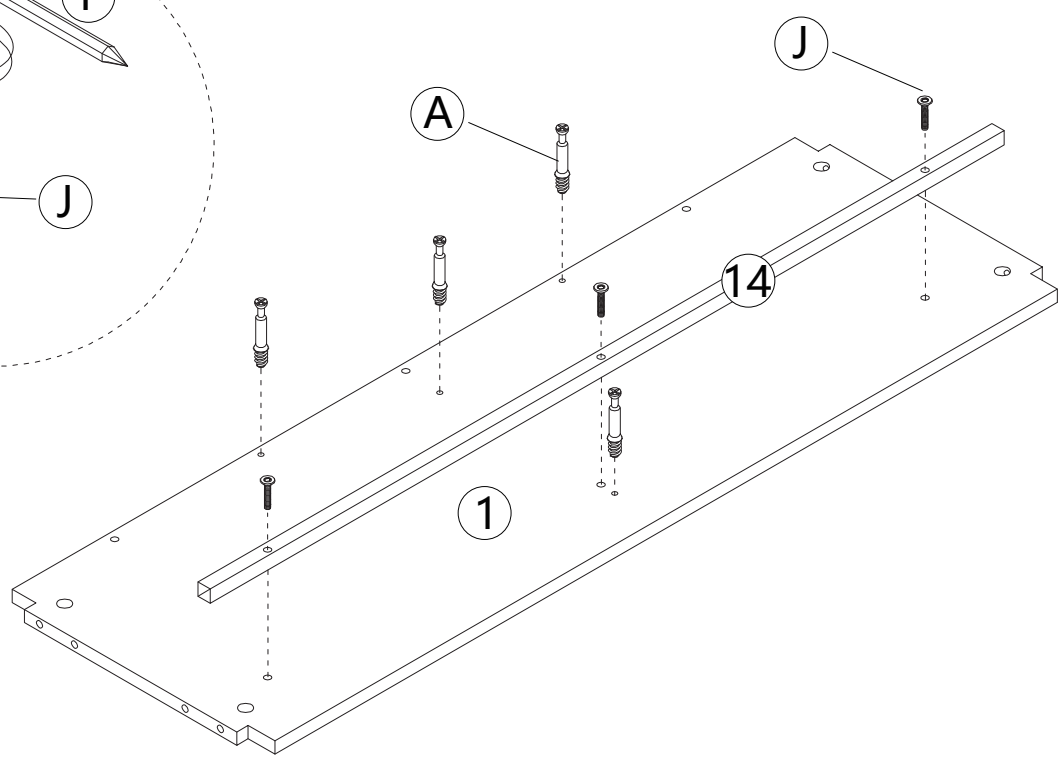
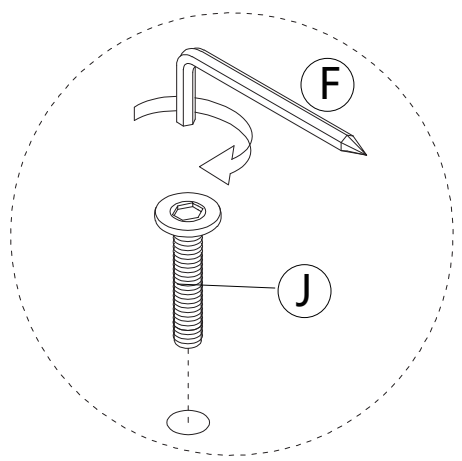
Ⓒ 1PC





4

① 1PC 14 1PC A 4PCS J 3PCS F 1PC

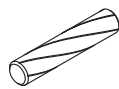




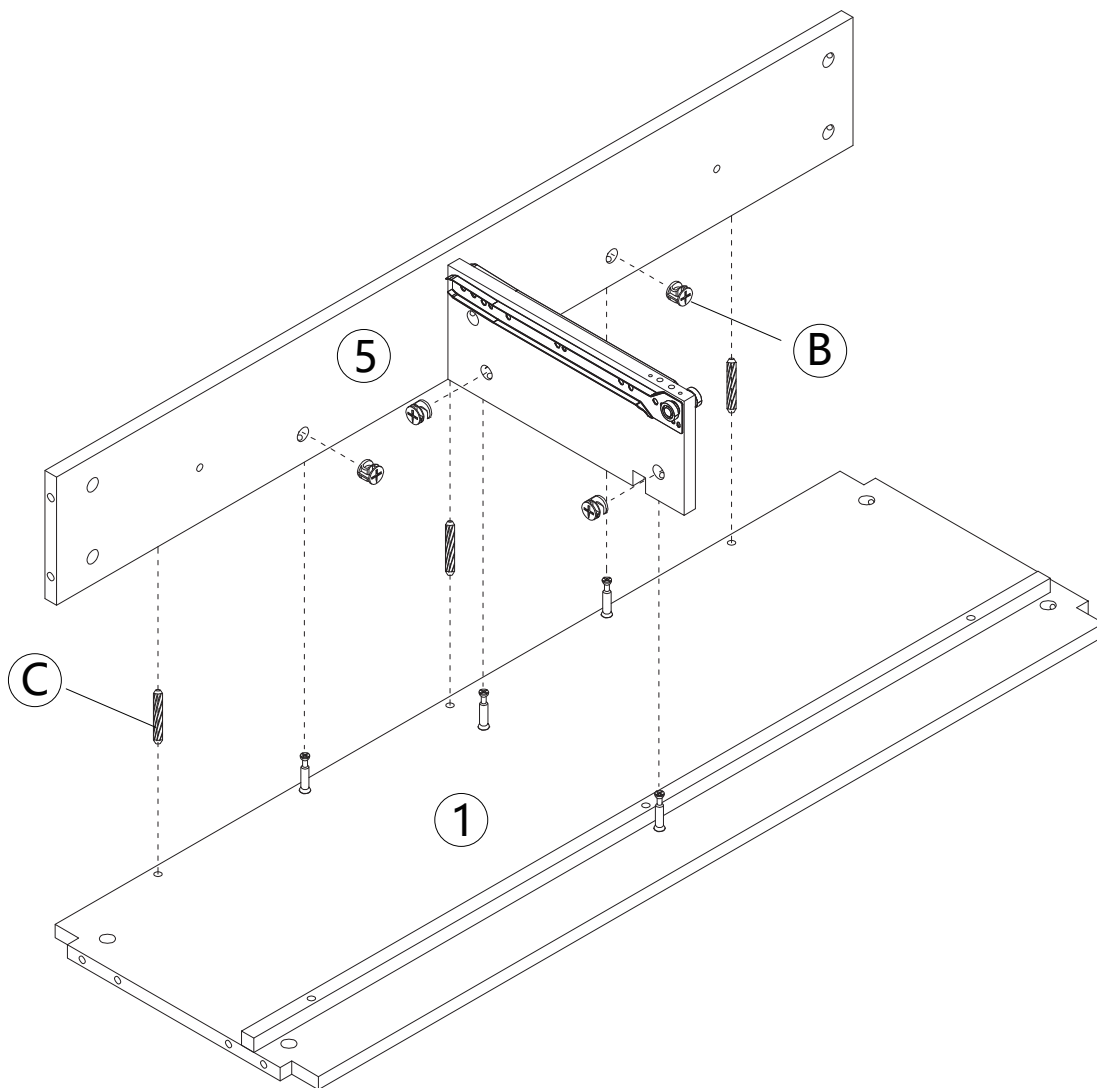
5



B 4PCS

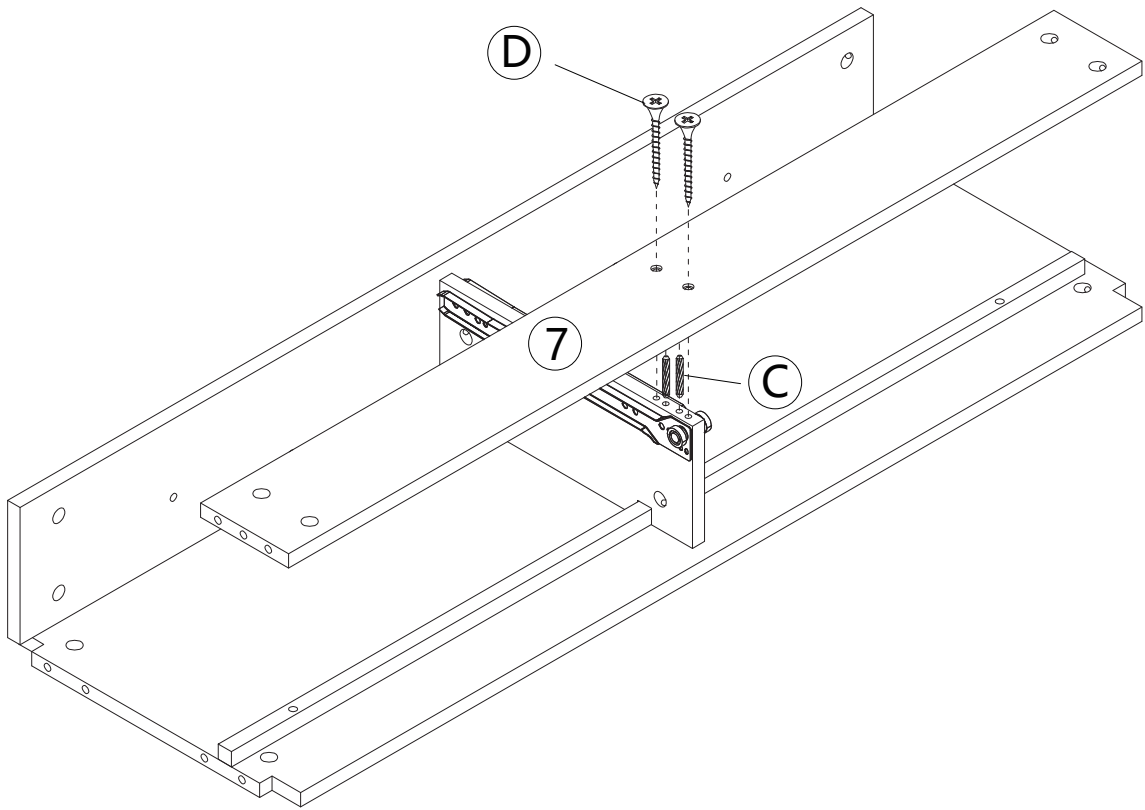
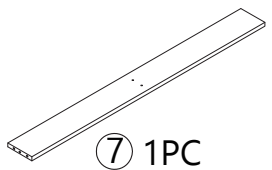


C 3PCS





6

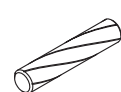




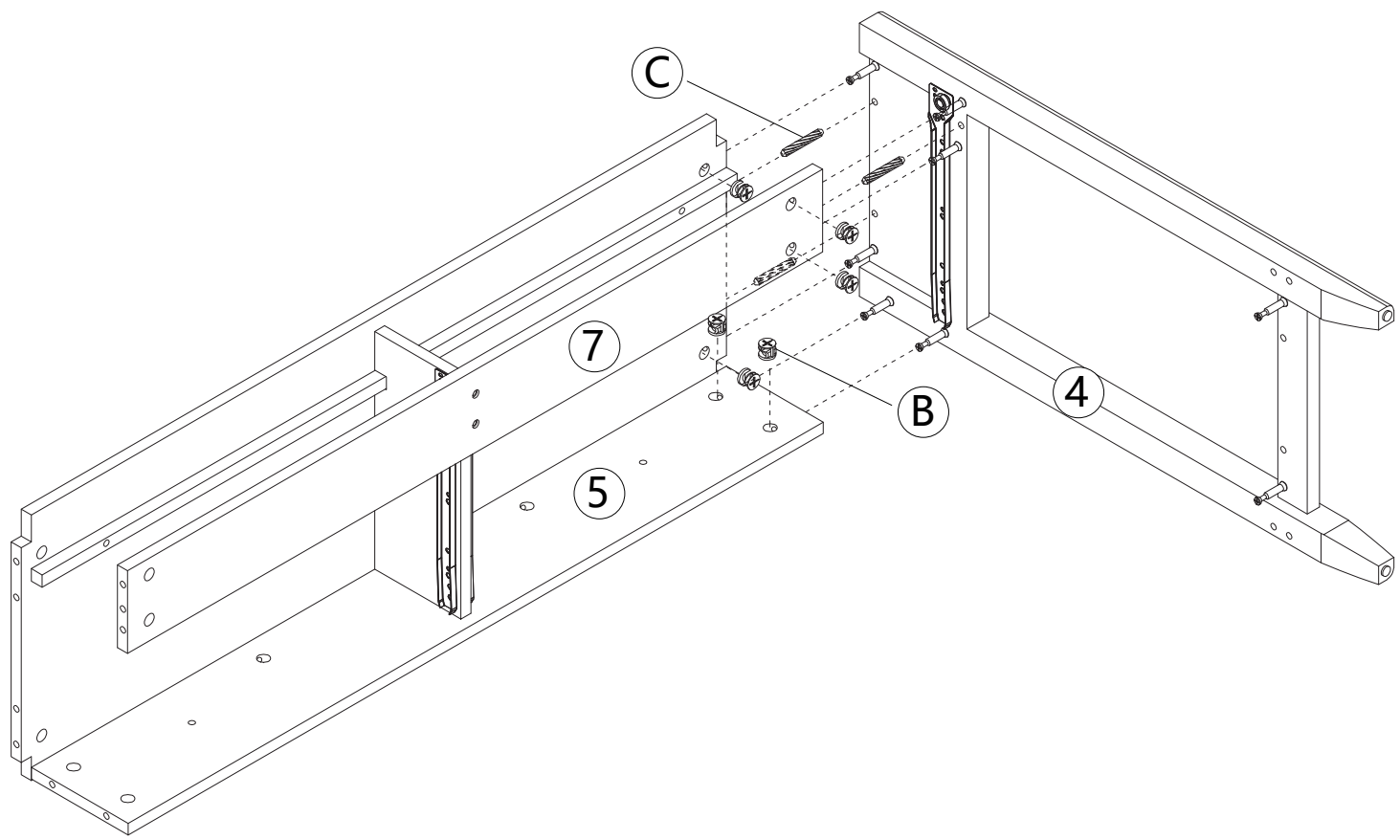
7



Ⓑ 6PCS

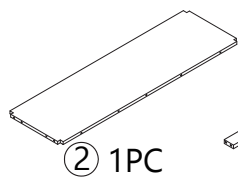


Ⓒ 3PCS

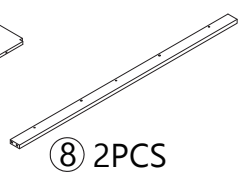




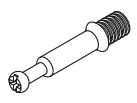
8



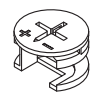
② 1PC



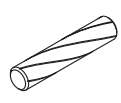
⑧ 2PCS



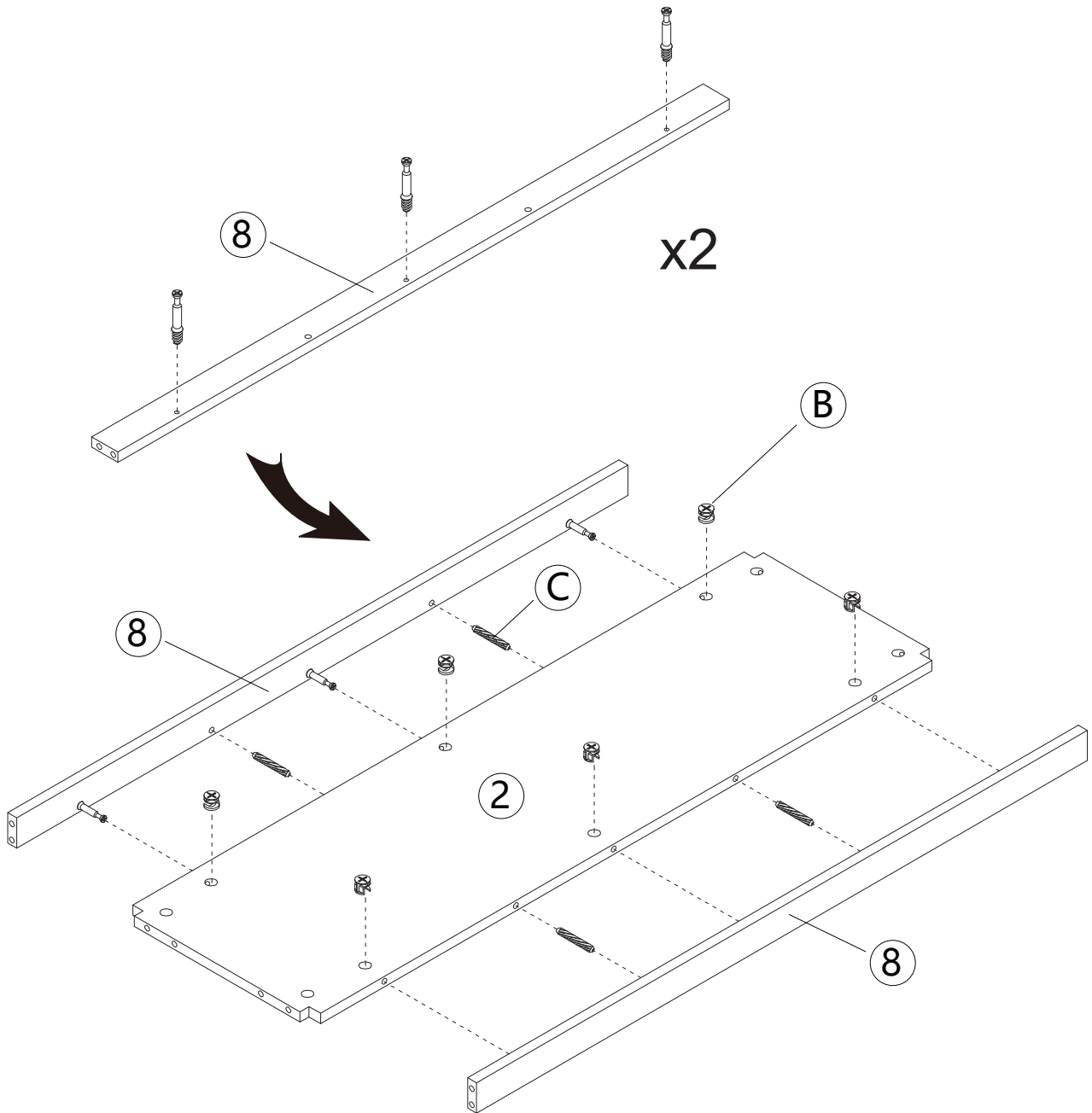
Ⓐ 6PCS



Ⓑ 6PCS

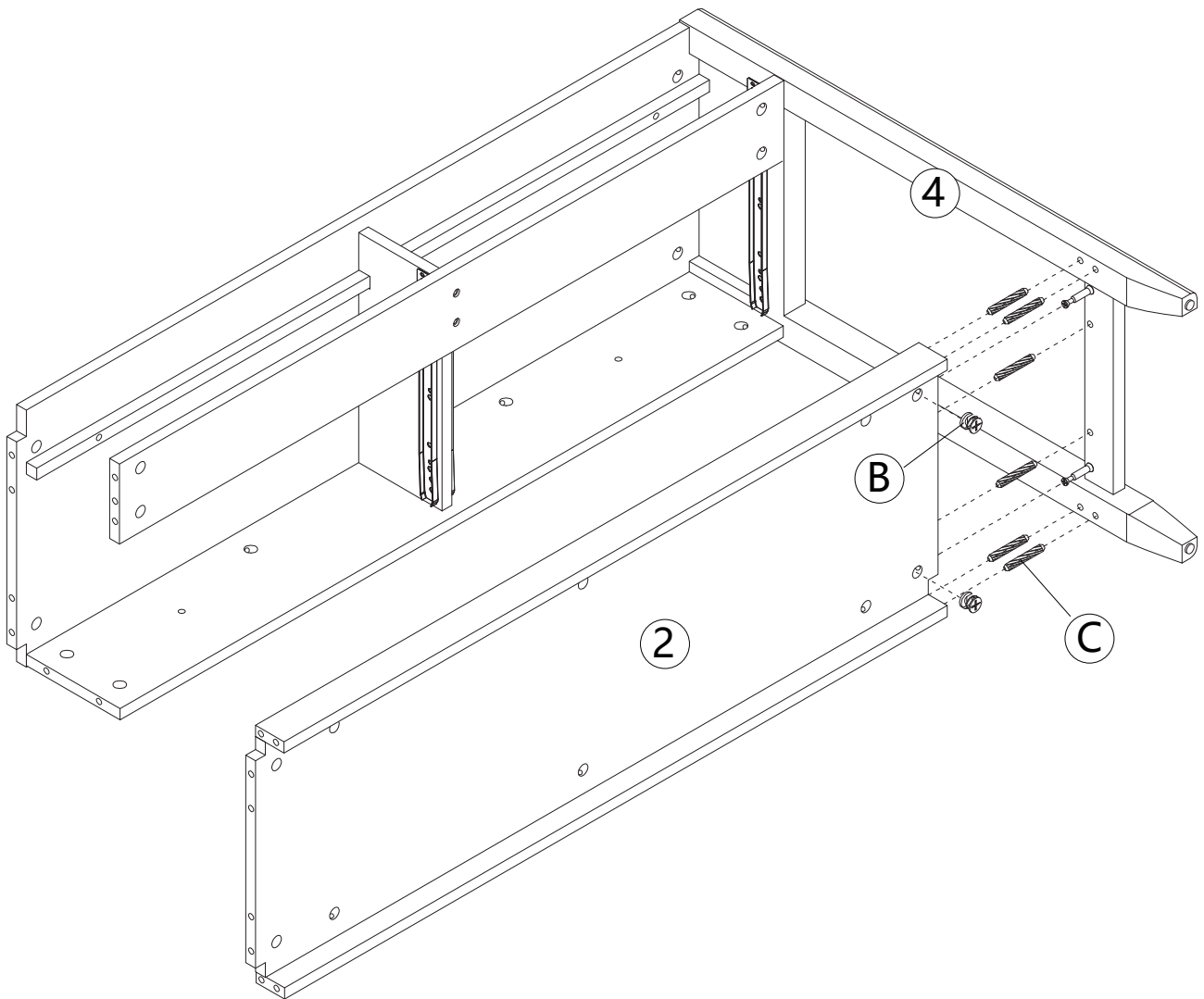
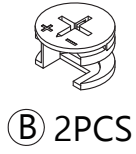


Ⓒ 4PCS



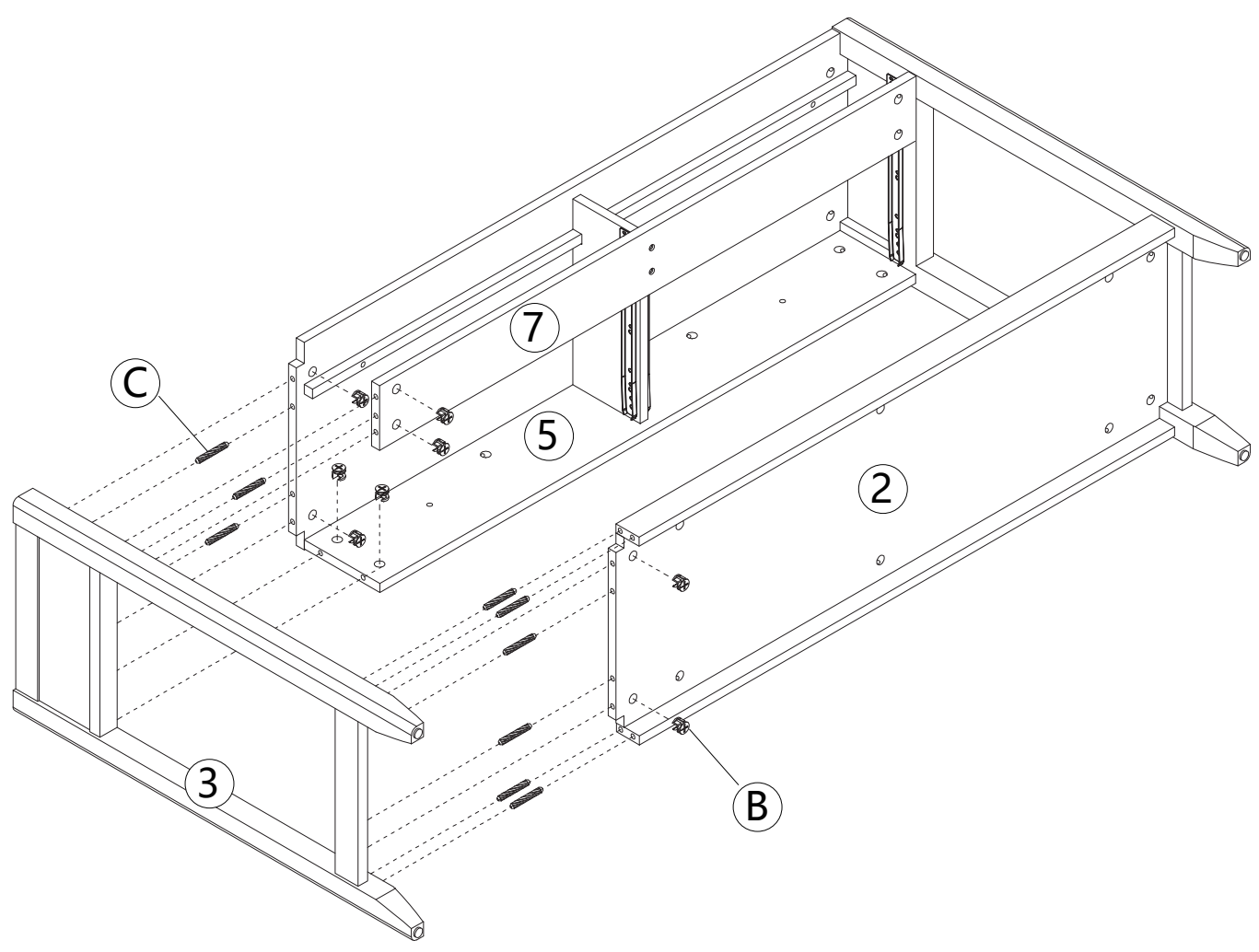
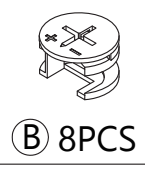


9



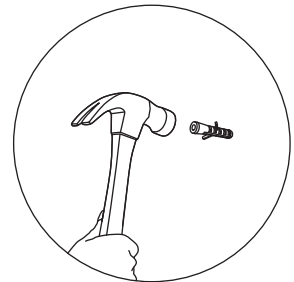
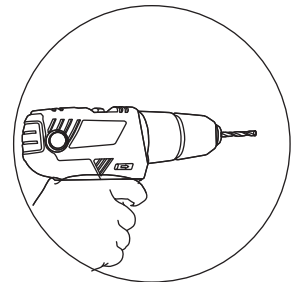
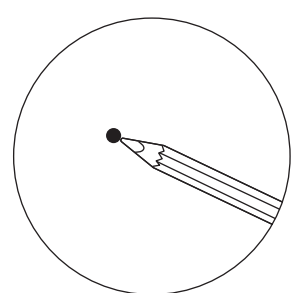
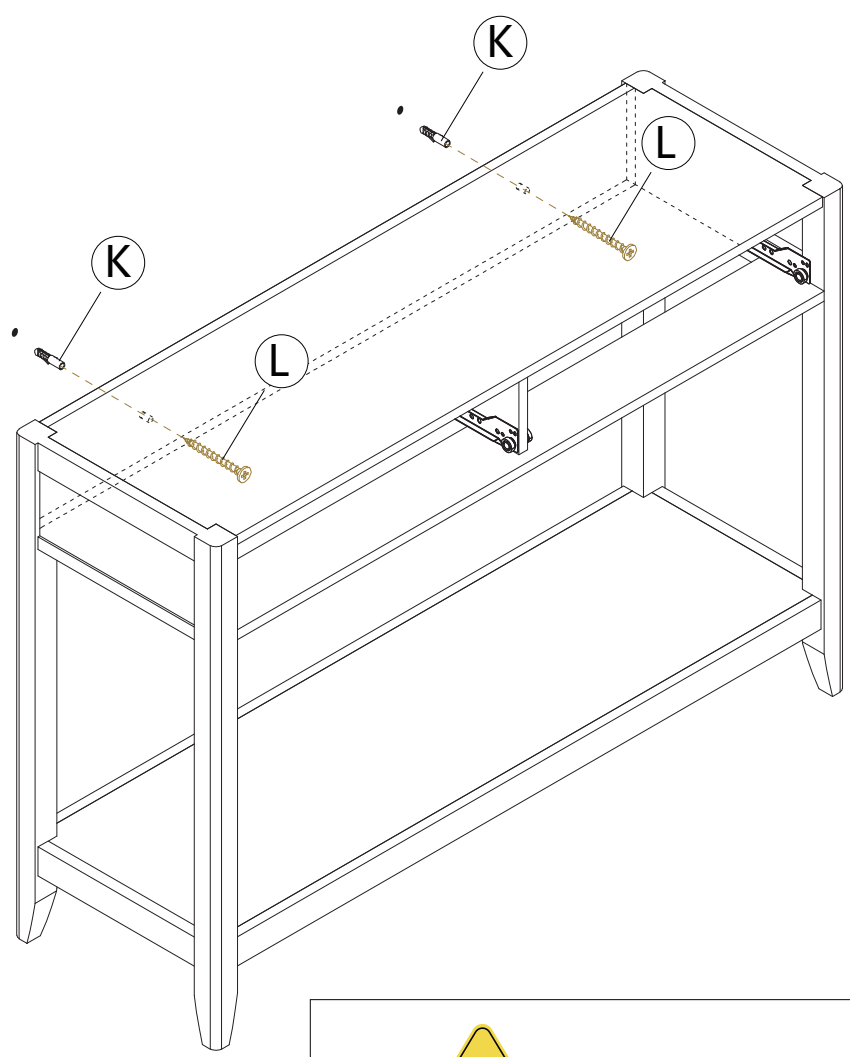


10





11



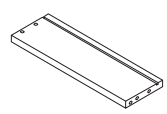
Secure it!

This product **MUST** be securely attached to the wall. Use the tip-over restraint provided with the product and the right hardware for your wall type.

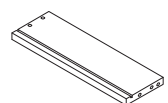
- **NEVER** allow children to stand, climb or hang on any drawers, doors, or shelves.
- This is a permanent label. Do not remove!



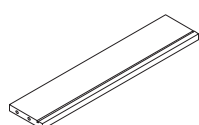
12



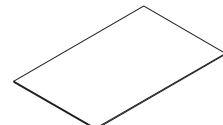
⑩ 2PCS



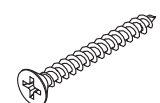
⑪ 2PCS



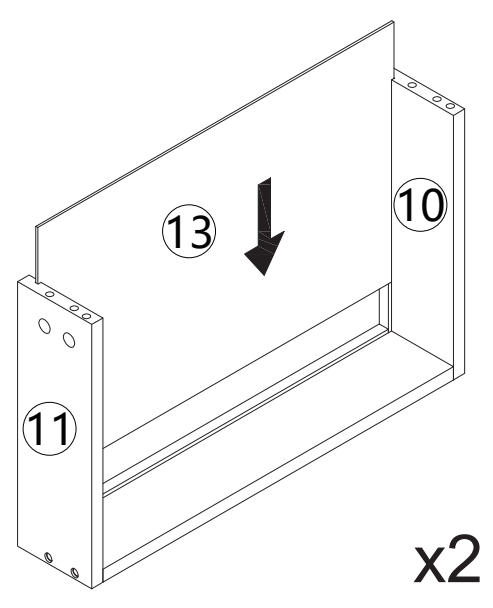
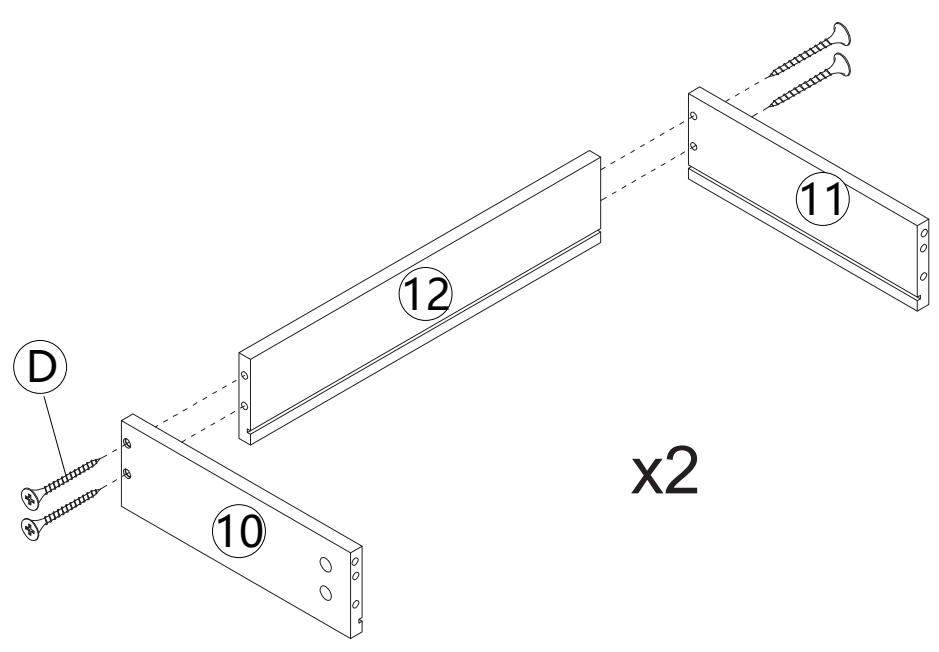
⑫ 2PCS



⑬ 2PCS

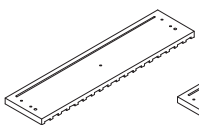


ⓓ 8PCS

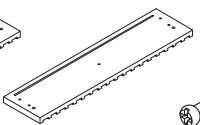




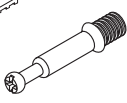
13



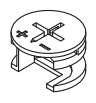
9 1PC



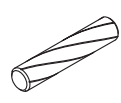
15 1PC



A 8PCS



B 8PCS



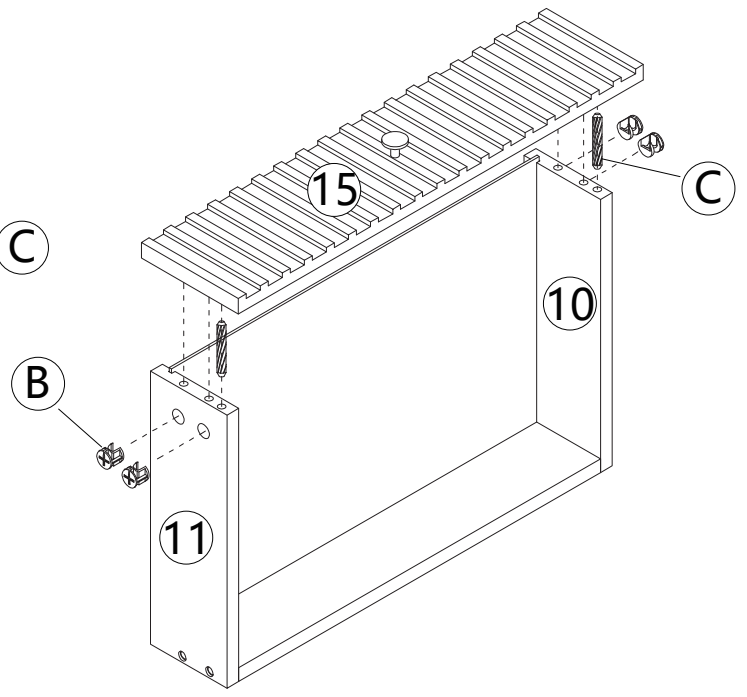
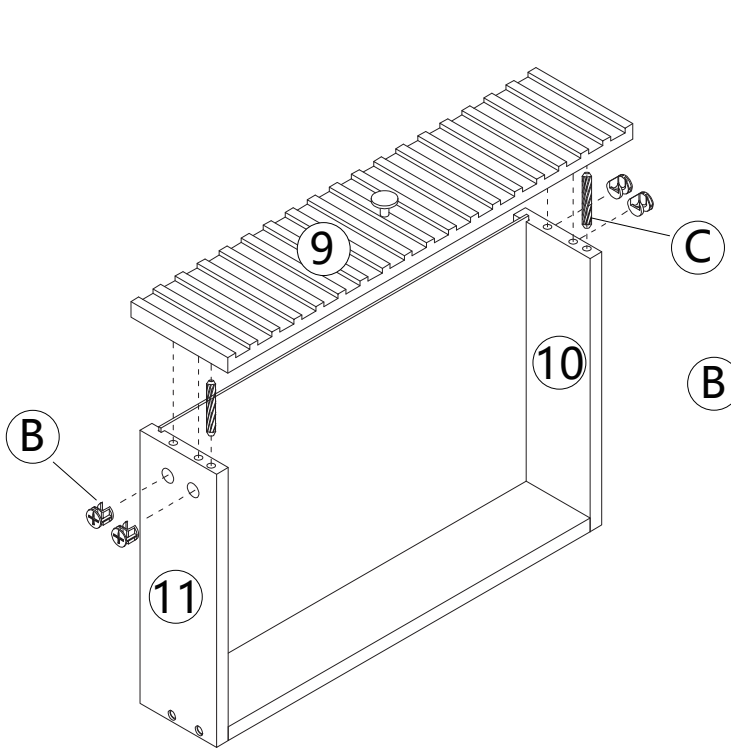
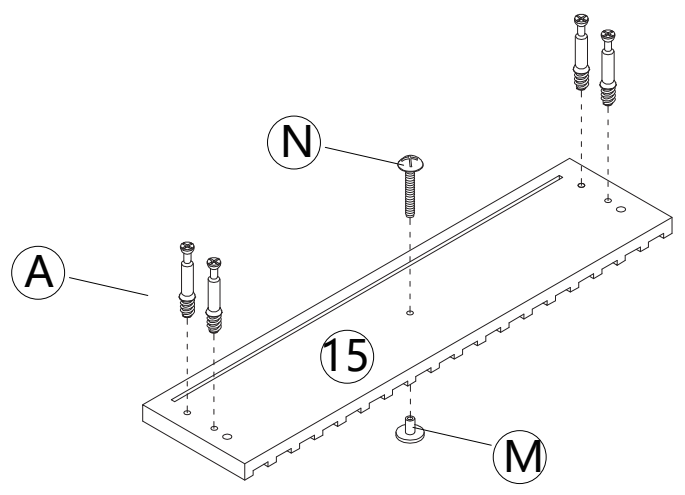
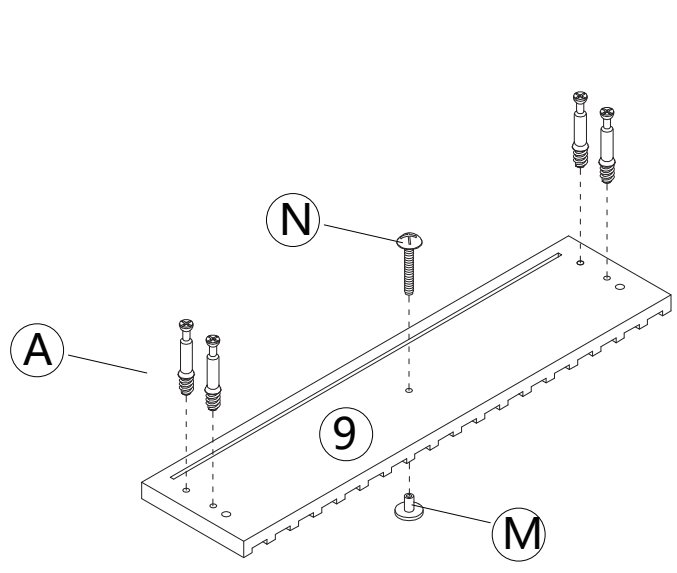
C 4PCS



M 2PCS

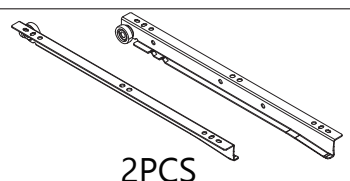


N 2PCS





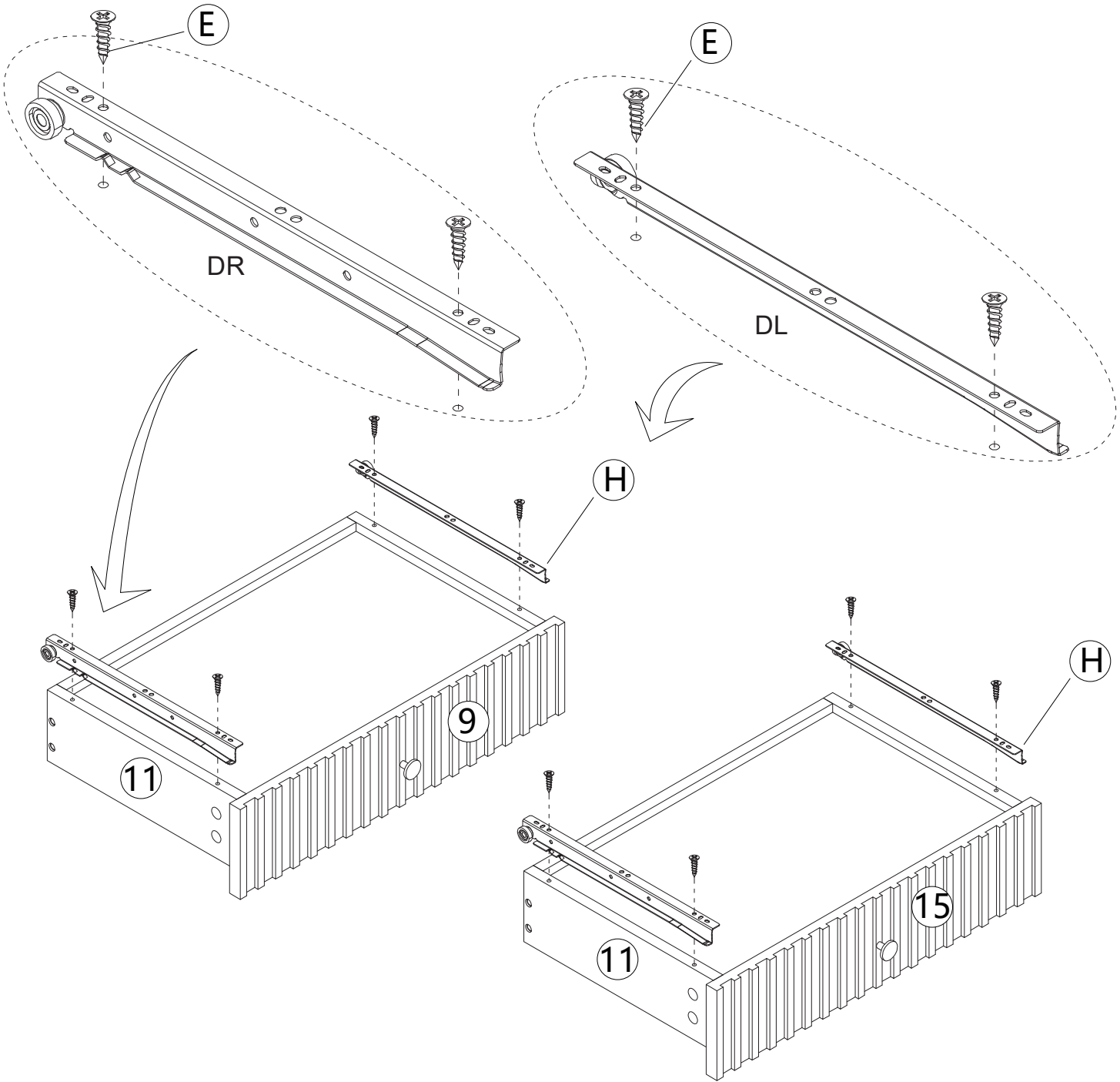
14



2PCS



E 8PCS



15

