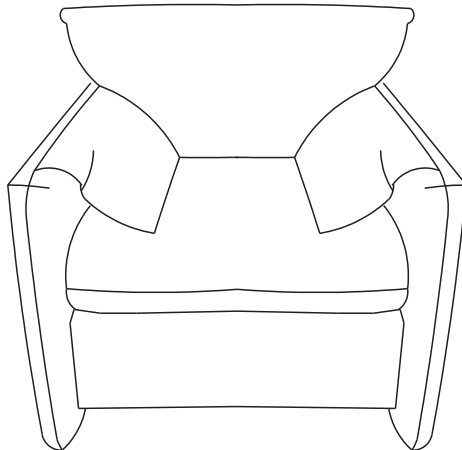


Assembly Instructions

Friendly Reminder:

1. **Patience with Cushions:** The cushions are vacuum-sealed and may look wrinkled at first— don't worry! Give them up to 72 hours to air out, and they'll plump up to their full, comfy shape.
2. **Build First, Unpack After:** For the easiest setup, assemble the sofa frame completely before unsealing the compressed cushions.
3. **Need Help?** If any parts are missing or damaged (please take photos for reference), feel free to contact us— our support team will assist you promptly!

Thanks for choosing us—Your comfort zone starts here!



PARTS LIST

Ax1



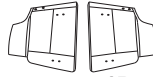
1pc

Bx1



1pc

Cx1PAIRS



CL CR
1PAIRS

Dx1



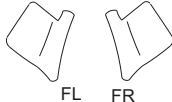
1pc

Ex1



1pc

Fx1PAIRS



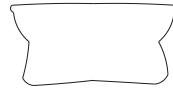
FL FR
1PAIRS

Gx1



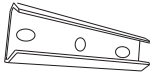
1pc

Hx1



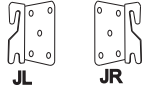
1pc

Ix2



2pcs

Jx2PAIRS



JL JR
1PAIRS

HARDWARE

Kx28



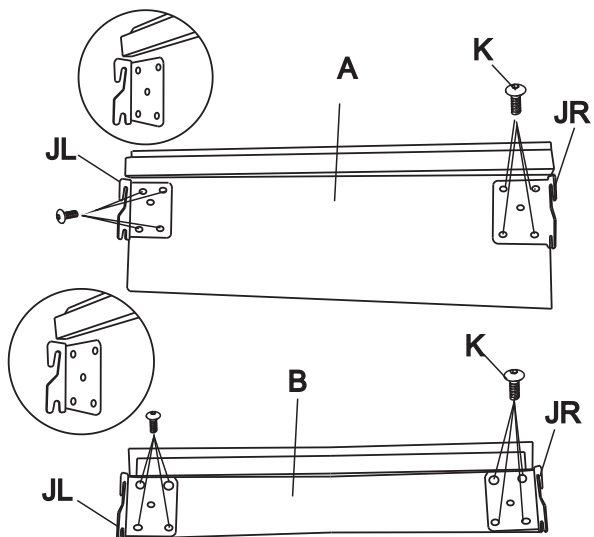
28pcs

Lx1

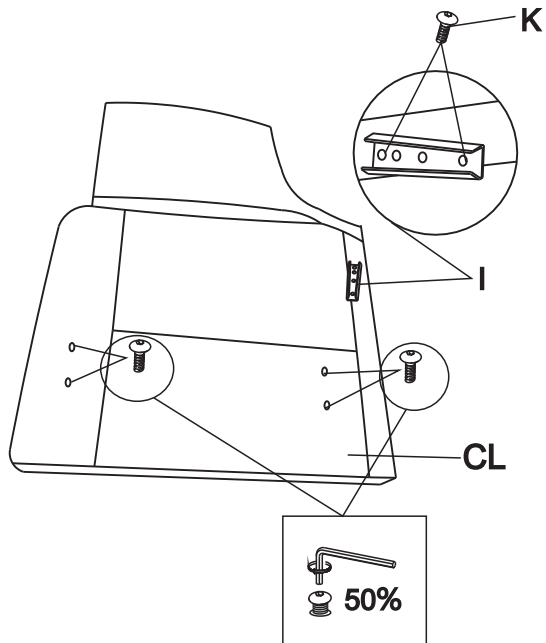


1pc

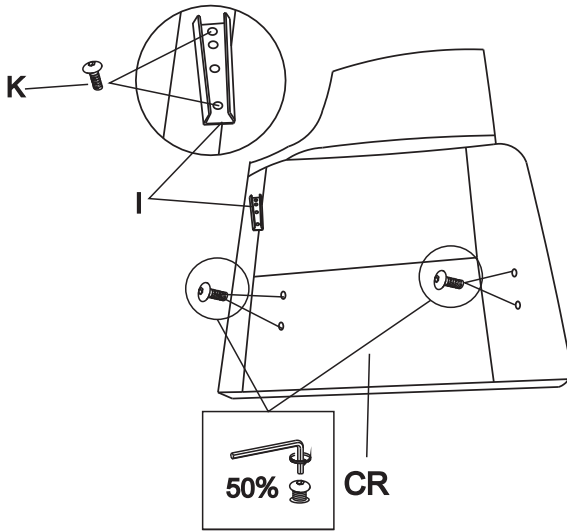
STEP 1:



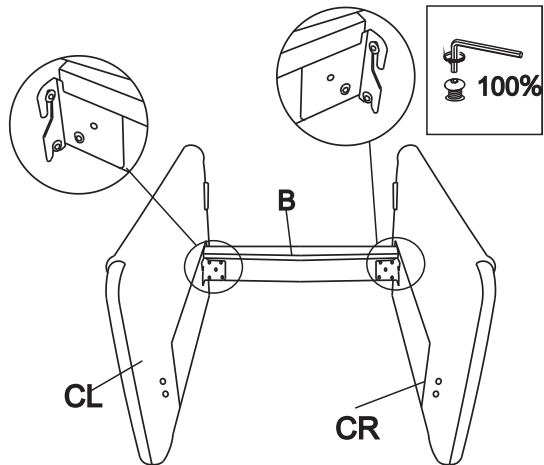
STEP 2:



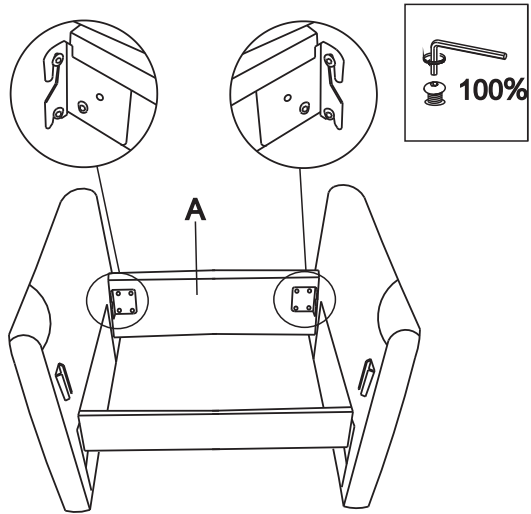
STEP 3:



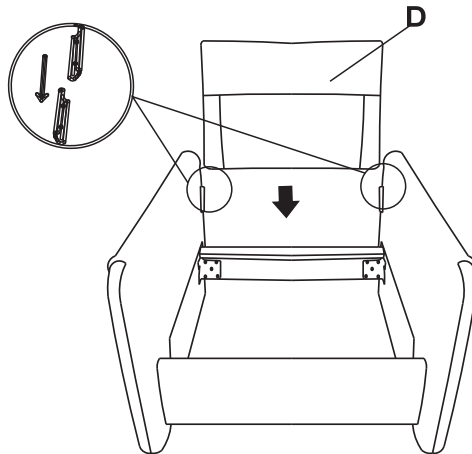
STEP 4:



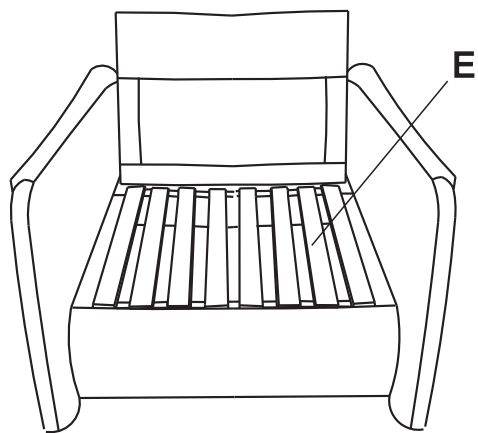
STEP 5:



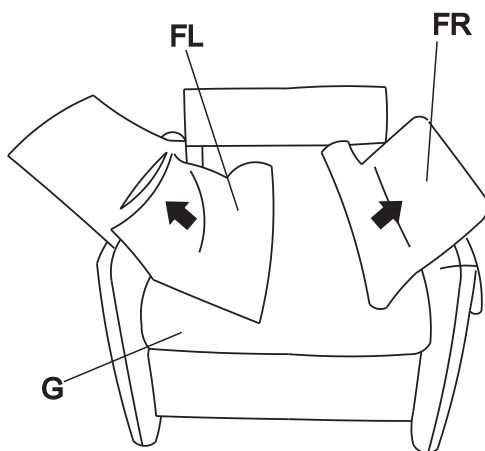
STEP 6:



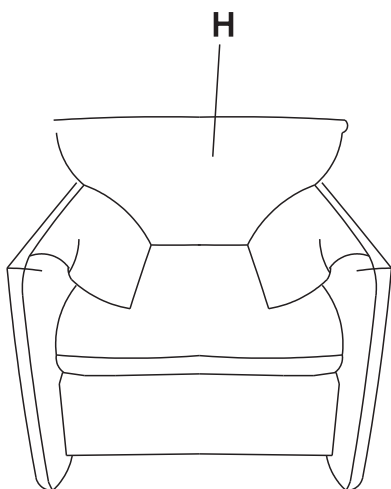
STEP 7:



STEP 8:



STEP 9:



Assembly Completed

Tada! Your chair is now fully assembled - time to chill out!

