

ASSEMBLY INSTRUCTIONS



Fine Furniture for every stage of life

Dining Table

ASSEMBLY INSTRUCTIONS

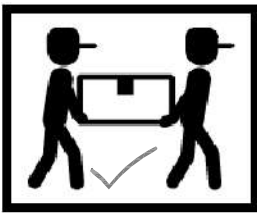
ASSEMBLY TIPS :

1. Remove hardware from box and sort by size.
2. Please check to see that all hardware and parts are present prior to start of assembly.
3. Please follow attached instructions in the same sequence as numbered to assure fast & easy assembly.



WARNING !

1. Don't attempt to repair or modify parts that are broken or defective. Please contact the store immediately.
2. This product is for home use only and not intended for commercial establishments.

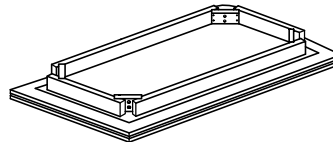


ASSEMBLY TIME

10 MINUTES

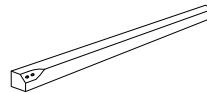
PARTS IDENTIFICATION

A TOP



1PC

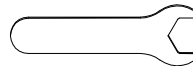
B LEG



4PCS

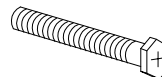
HARDWARE IDENTIFICATION

1 WRENCH
(12.8MM - RBW)



1PC

2 HEX BOLT
(M8 x 60MM - SILVER)



8PCS

3 LOCK WASHER
(5/16" - RBW)



8PCS

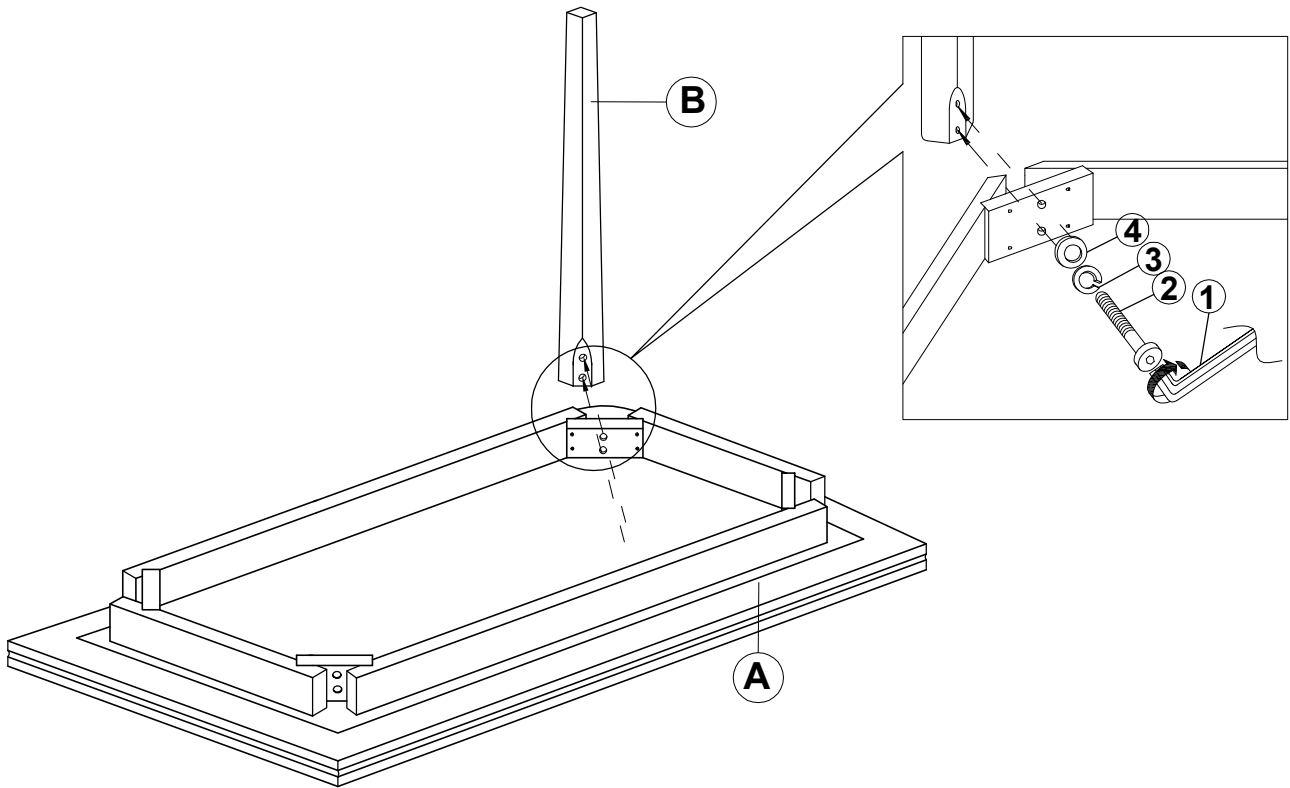
4 FLAT WASHER
(5/16" - RBW)



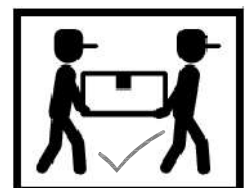
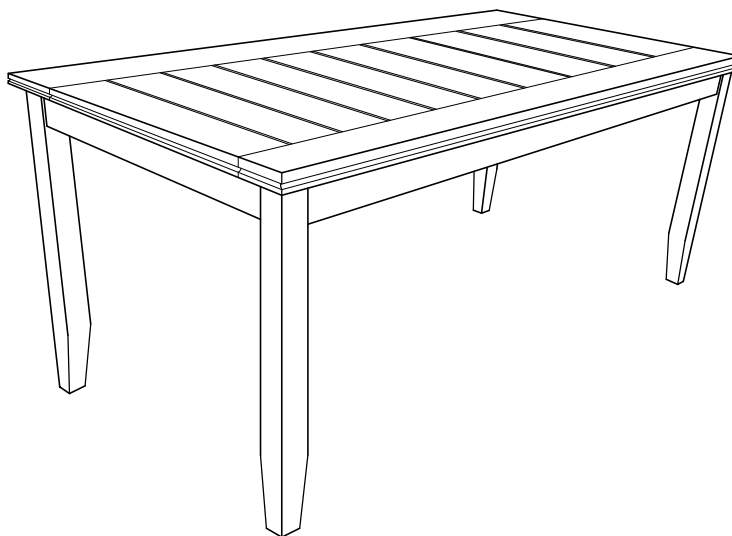
8PCS

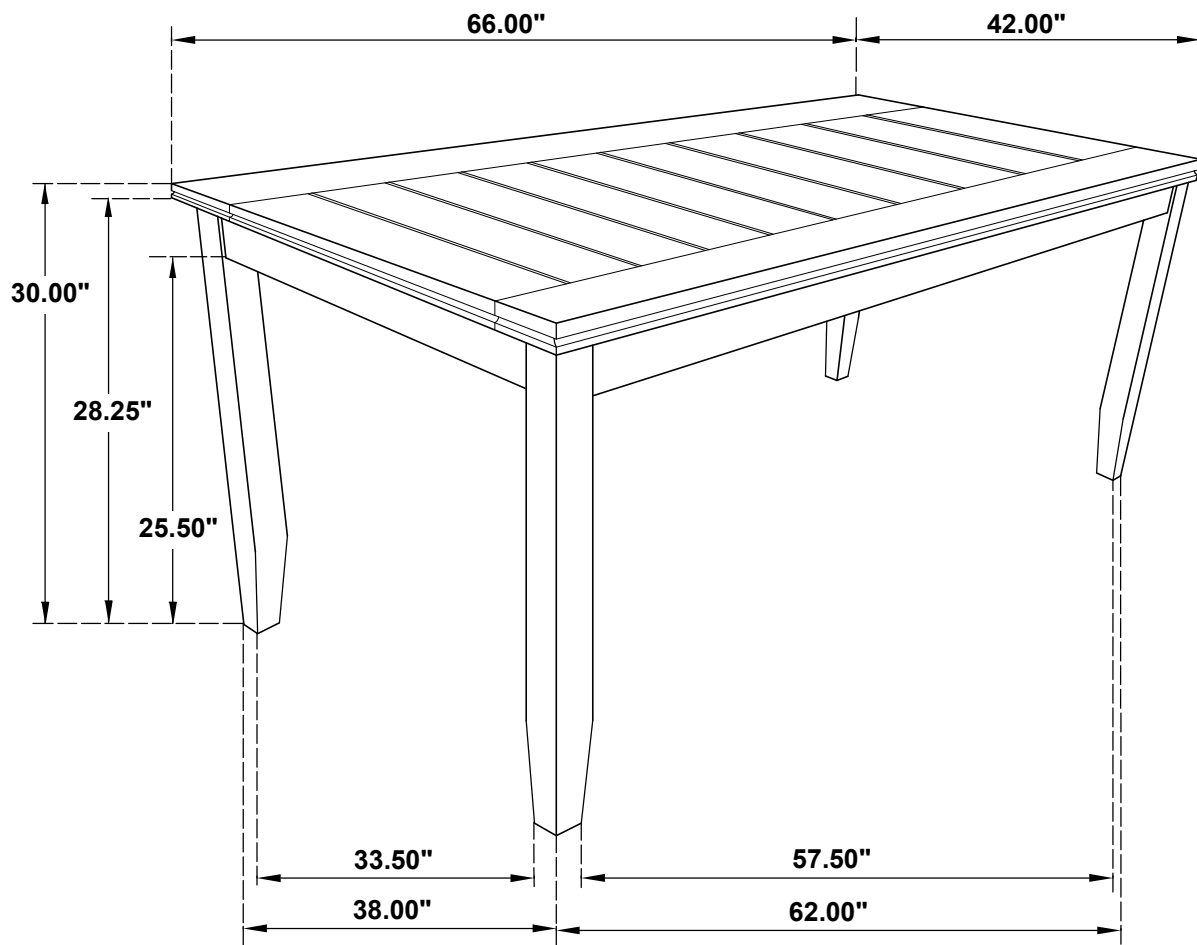
ASSEMBLY INSTRUCTIONS

STEP 1



STEP 2 COMPLETE





Note: Dimension tolerance $\pm 5\%$

ASSEMBLY INSTRUCTIONS



Fine Furniture for every stage of life

Dining Side Chair

ASSEMBLY INSTRUCTIONS

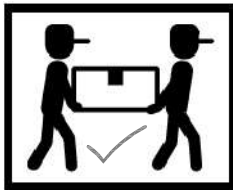
ASSEMBLY TIPS :

1. Remove hardware from box and sort by size.
2. Please check to see that all hardware and parts are present prior to start of assembly.
3. Please follow attached instructions in the same sequence as numbered to assure fast & easy assembly.



WARNING !

1. Don't attempt to repair or modify parts that are broken or defective. Please contact the store immediately.
2. This product is for home use only and not intended for commercial establishments.



ASSEMBLY TIME

10 MINUTES

PARTS IDENTIFICATION

A	BACK FRAME		1PC
B	FRONT LEG FRAME		1PC
C	SIDE RAIL		2PCS
D	SEAT CUSHION		1PC
E	RIGHT STRETCHER		1PC
F	LEFT STRETCHER		1PC

HARDWARE IDENTIFICATION

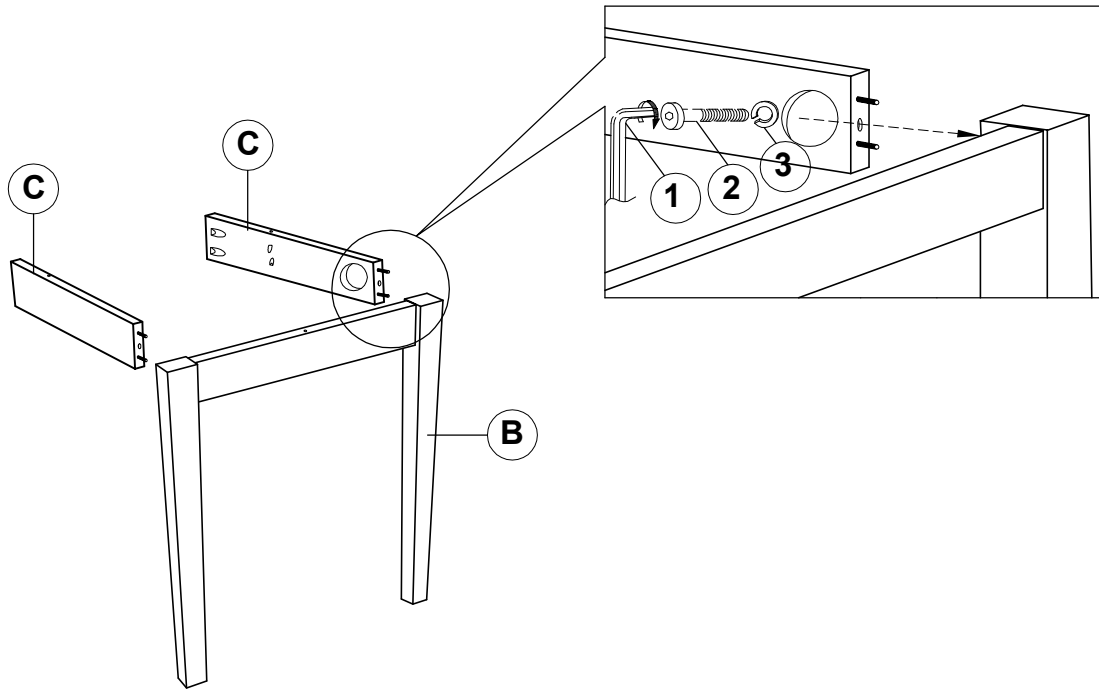
1	ALLEN WRENCH (M4 x 110mm - BLK)		1PC
2	BOLT (M6 x 50mm - RBW)		6PCS
3	LOCK WASHER (1/4" - BLK)		6PCS
4	SHORT PAN HEAD SCREW (#8 x 1" - BLK)		4PCS
5	LONG PAN HEAD SCREW (#8 x 1 1/2" - BLK)		4PCS

NOTE :

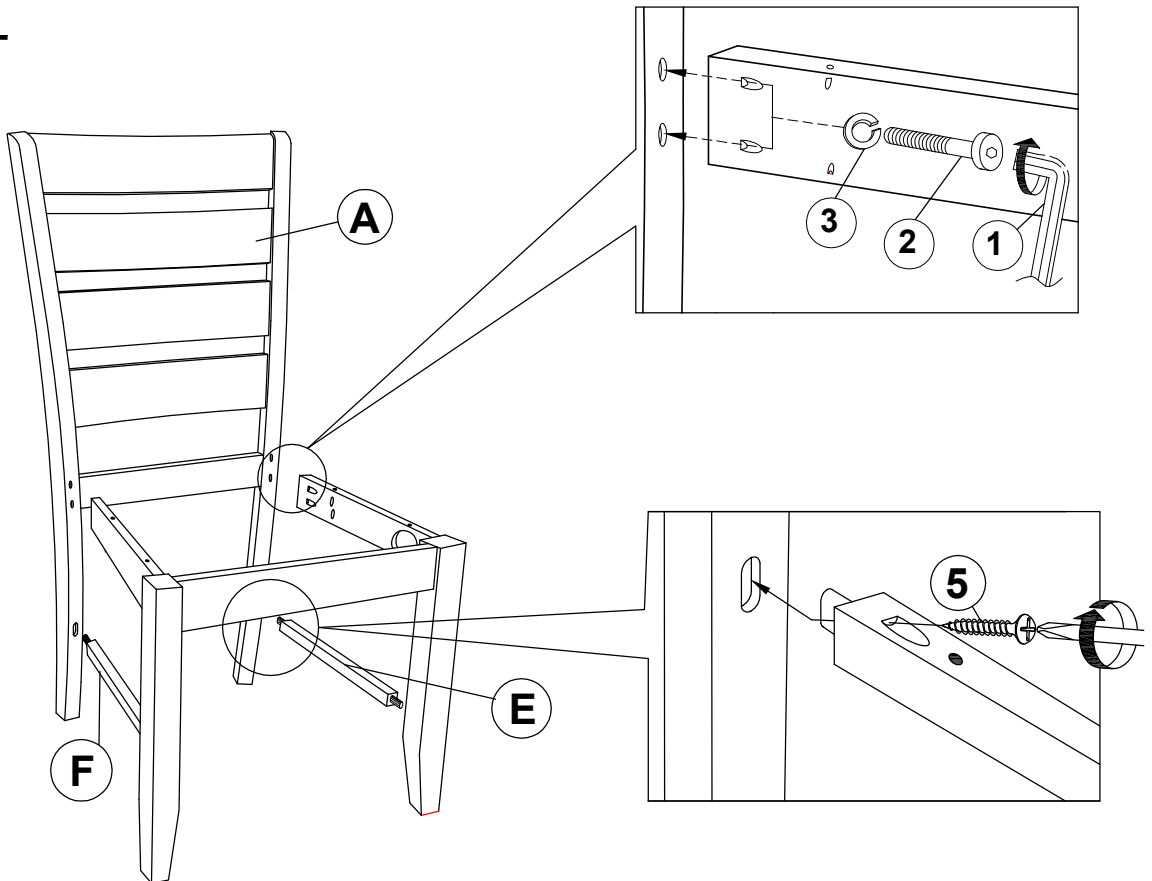
Phillips head screw driver is required in the assembly process. However, manufacturer does not provide this item. Quantities shown are for one chair.

ASSEMBLY INSTRUCTIONS

STEP 1

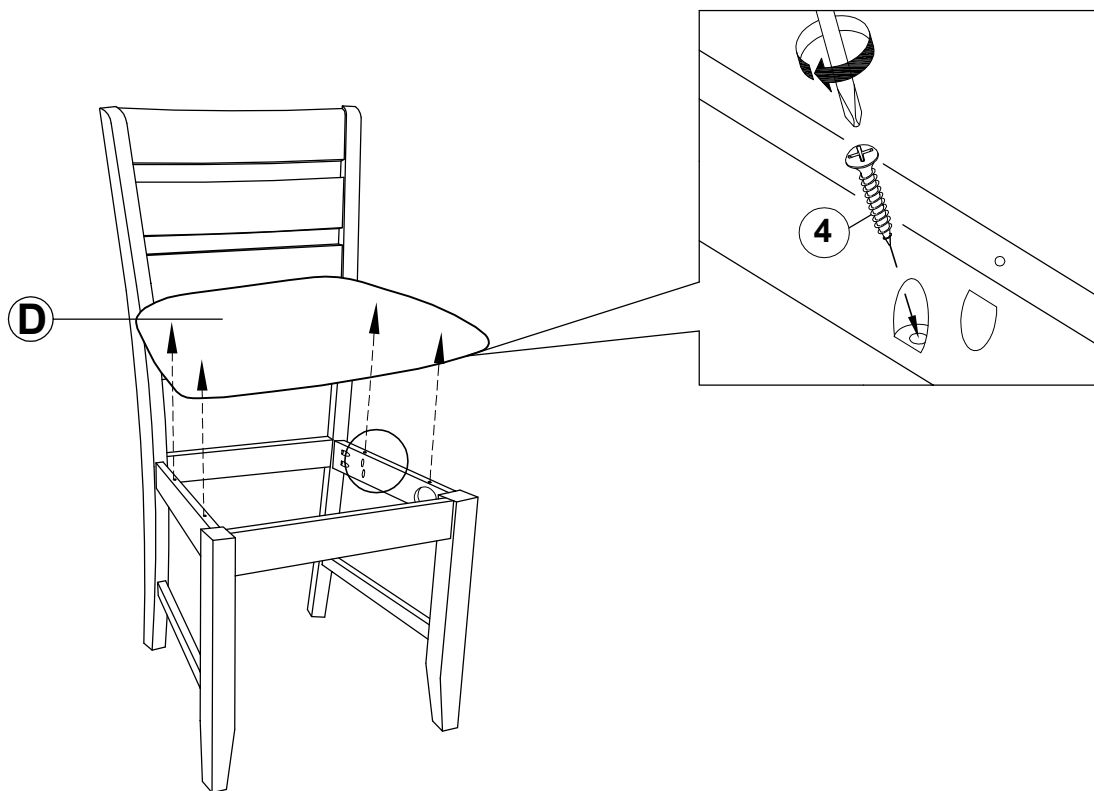


STEP 2

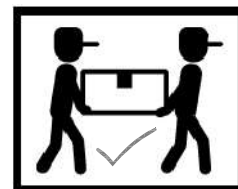
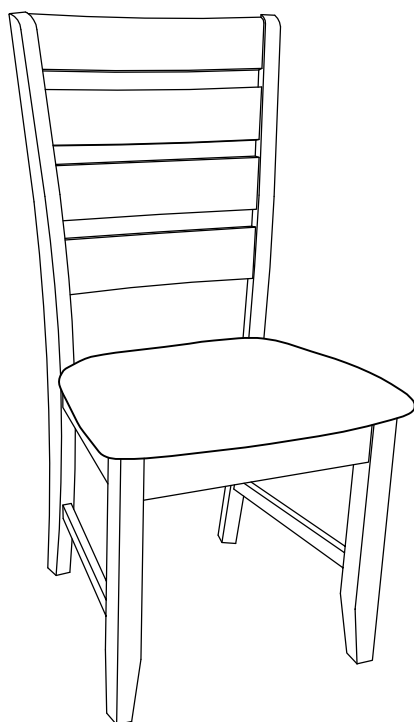


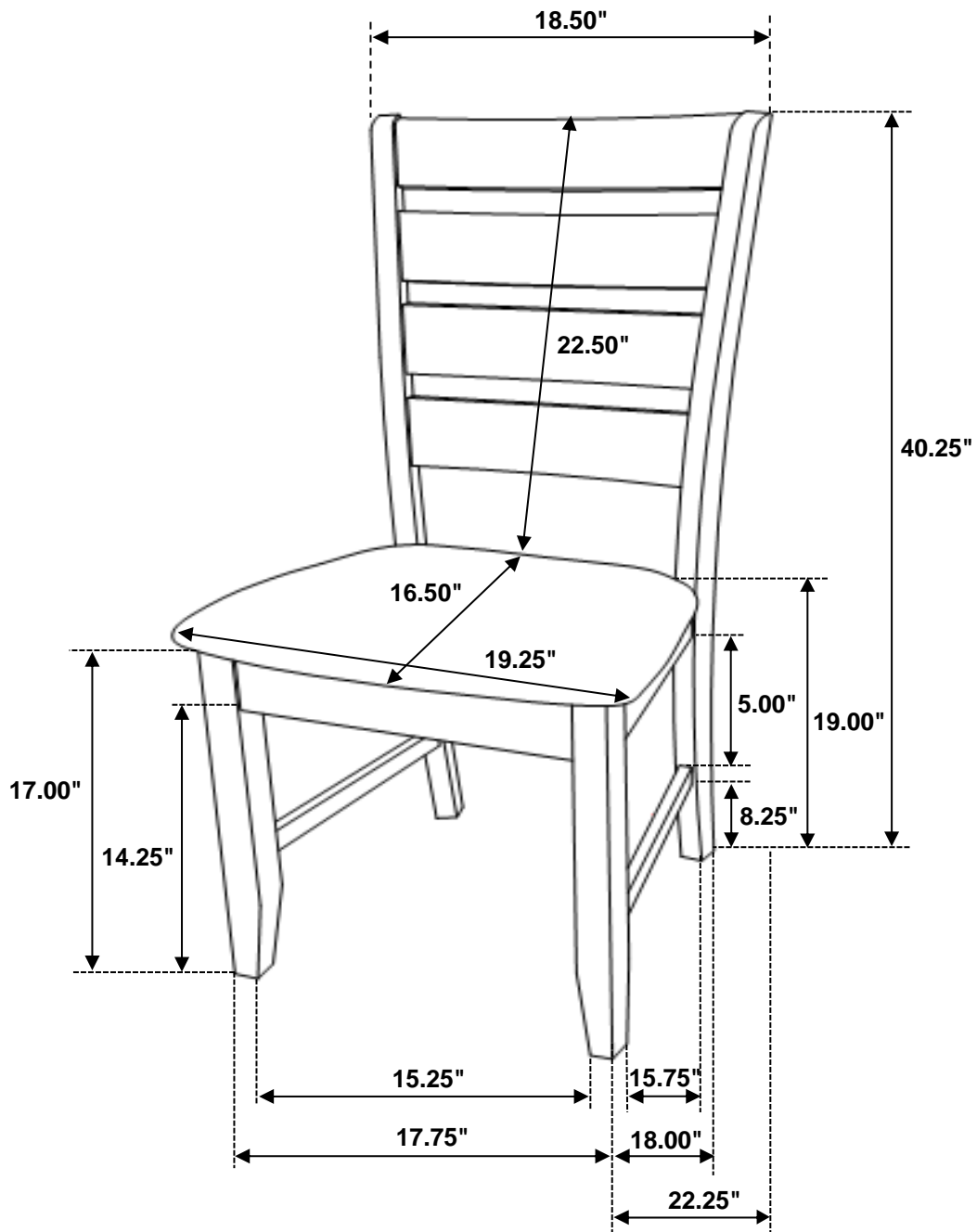
ASSEMBLY INSTRUCTIONS

STEP 3



STEP 4 COMPLETE





Note: Dimension tolerance $\pm 5\%$

ASSEMBLY INSTRUCTIONS



Fine Furniture for every stage of life

Bench

ASSEMBLY INSTRUCTIONS

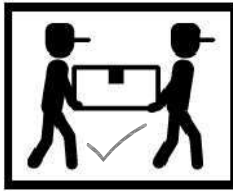
ASSEMBLY TIPS :

1. Remove hardware from box and sort by size.
2. Please check to see that all hardware and parts are present prior to start of assembly.
3. Please follow attached instructions in the same sequence as numbered to assure fast & easy assembly.



WARNING !

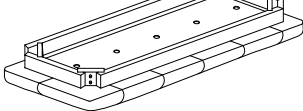

1. Don't attempt to repair or modify parts that are broken or defective. Please contact the store immediately.
2. This product is for home use only and not intended for commercial establishments.



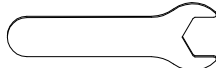
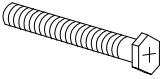


ASSEMBLY TIME

8 MINUTES

PARTS IDENTIFICATION

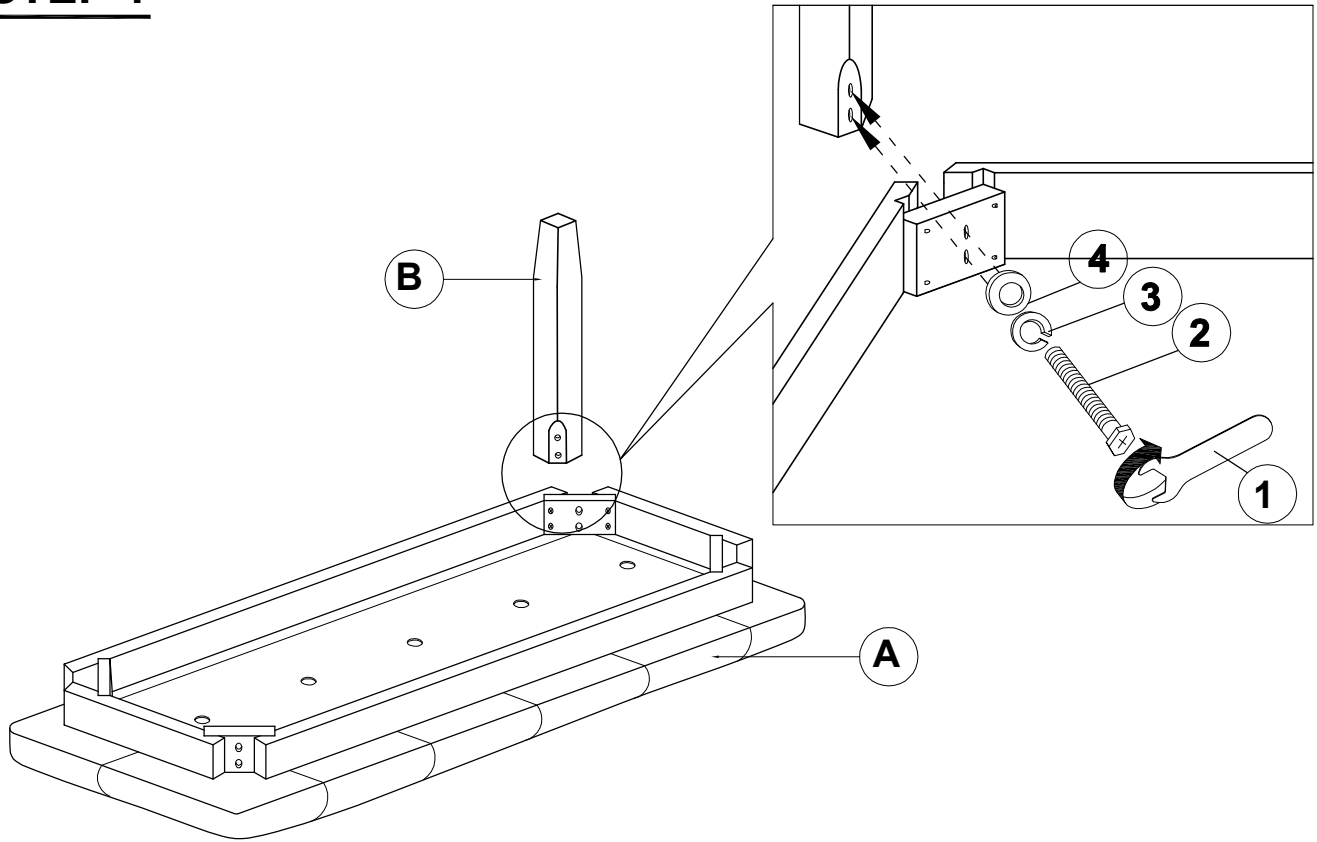
A	SEAT CUSHION WITH FRAME		1PC
B	LEG		4PCS

HARDWARE IDENTIFICATION

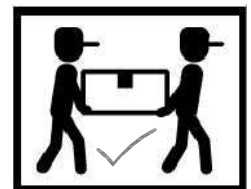
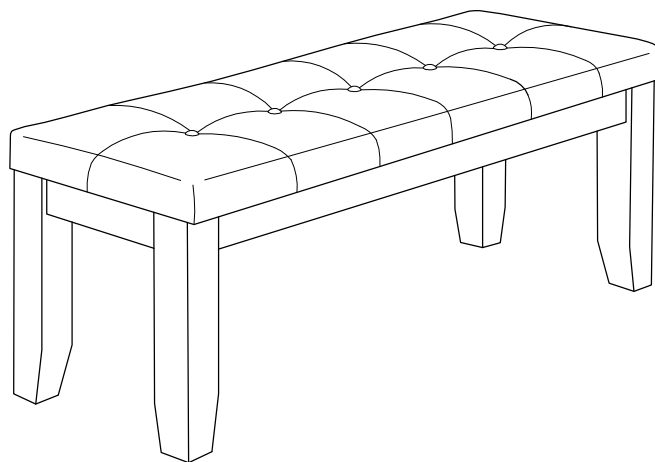
1	WRENCH (12.8mm - RBW)		1PC
2	BOLT (M8 x 60mm - SILVER)		8PCS
3	LOCK WASHER (5/16" - RBW)		8PCS
4	FLAT WASHER (5/16" - RBW)		8PCS

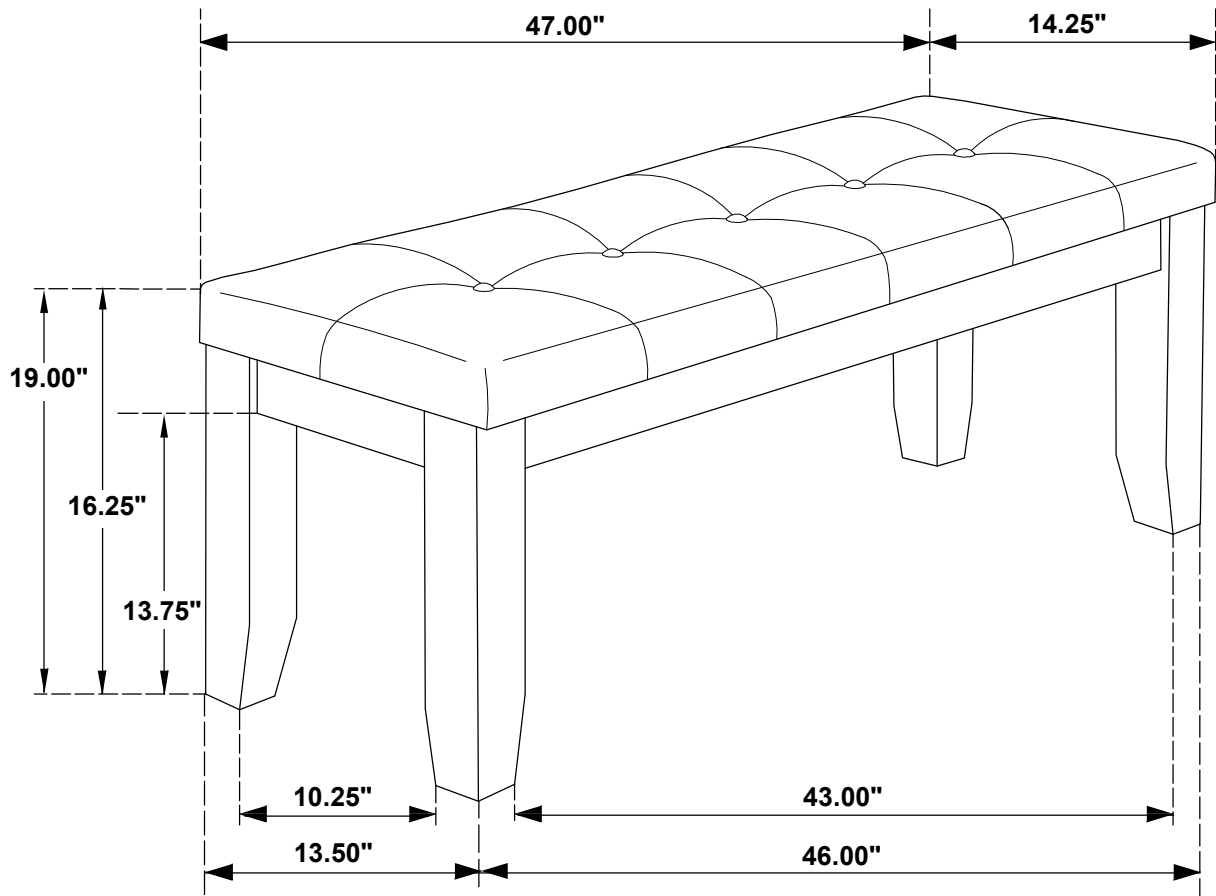
ASSEMBLY INSTRUCTIONS

STEP 1



STEP 2 COMPLETE





Note: Dimension tolerance $\pm 5\%$