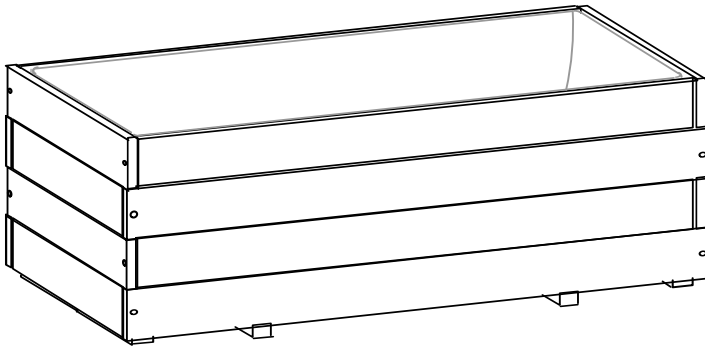


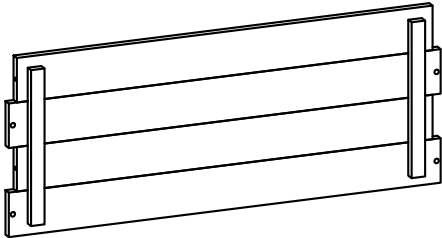
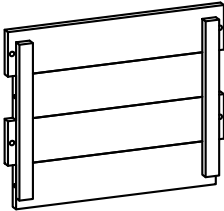





**PPT1073**

**Outdoor Wooden Planter Box**

**Installation Manual**



## Parts And Hardwares List

No.	Picture	Name	Number
A		Front and back panel	2
B		Side panel	2
C		Support wooden strip	2
D		Bottom panel	2
E		Non-woven bag	1
F		Long screw	4
G		short screw	16

## **GENERAL GUIDELINES**

1. Please read the following instructions carefully and use the product accordingly.
2. Please keep this manual and transfer it if you ever transfer the product.
3. This summary may not include every detail of all possible variation and the steps required to achieve them. Please contact us when further information and help are needed.
4. The Outdoor wooden planter box is intended exclusively for private use and is not suitable for commercial use.

## **NOTE**

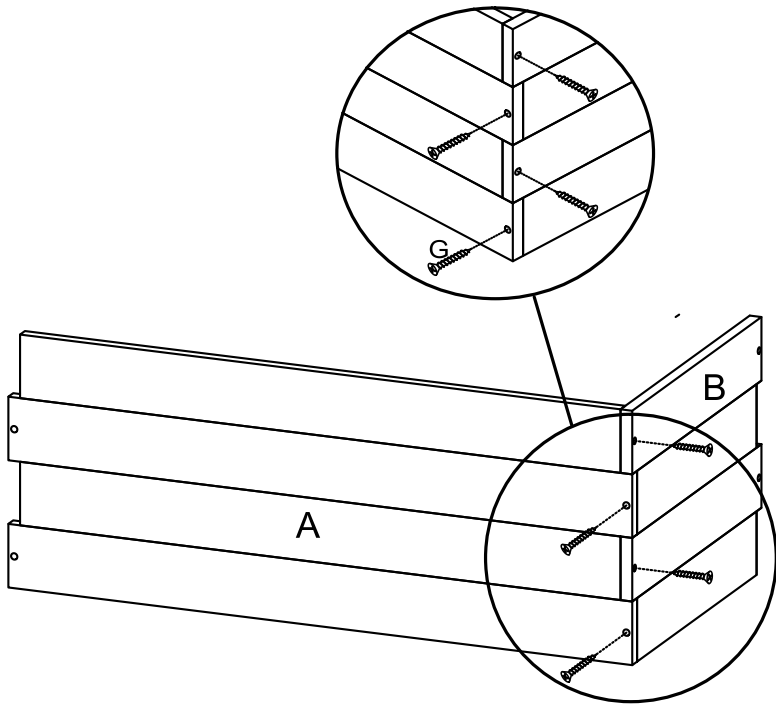
1. The product must be assembled and used in accordance with the provisions of the manual.
2. Avoid long-term exposure to humid environments to prevent mildew.
3. Keep the product away from fire sources and high temperatures. Do not expose the product to direct sunlight.
4. Do not place any hot objects on the surface of the product.
5. If there are any defective or missing parts after unpacking, please cease assembly immediately and contact us.
6. Please assemble the item on a spacious surface and do not place the unwrapped product directly on the ground to avoid product damage.
7. Please do not stand or sit on the wooden boards.
8. Please keep the product away from sharp, pointed objects and corrosive substances to prevent product damage.

## **WARNINGS**

1. Children are not allowed to assemble the product. During assembly, keep all small parts out of the reach of children as they may be fatal if swallowed or inhaled.
2. Children are forbidden to climb or play on the product to avoid serious bodily injury caused by any potential fall.

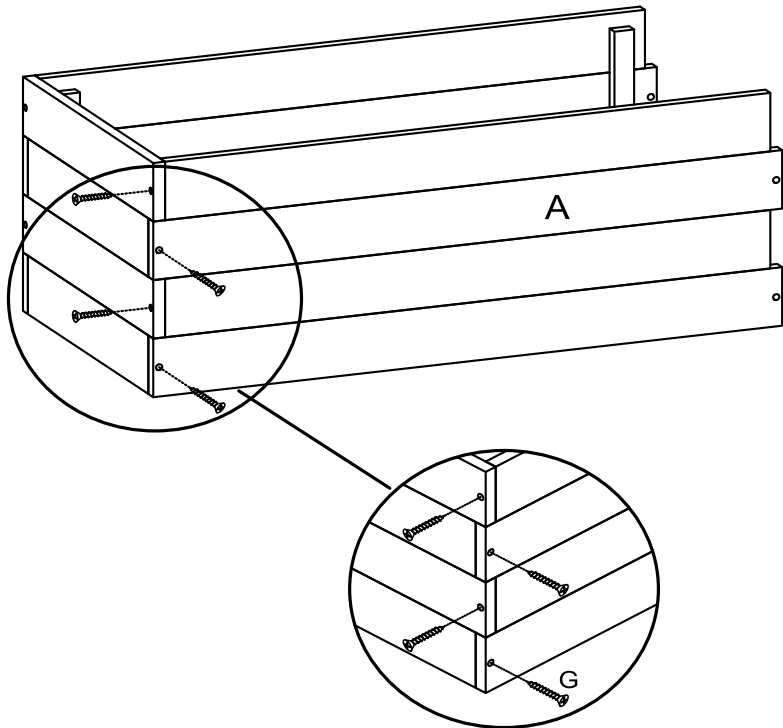
# STEP 1

Secure front panel( part A ) to side panel (part B)  
with screws G x4pcs.



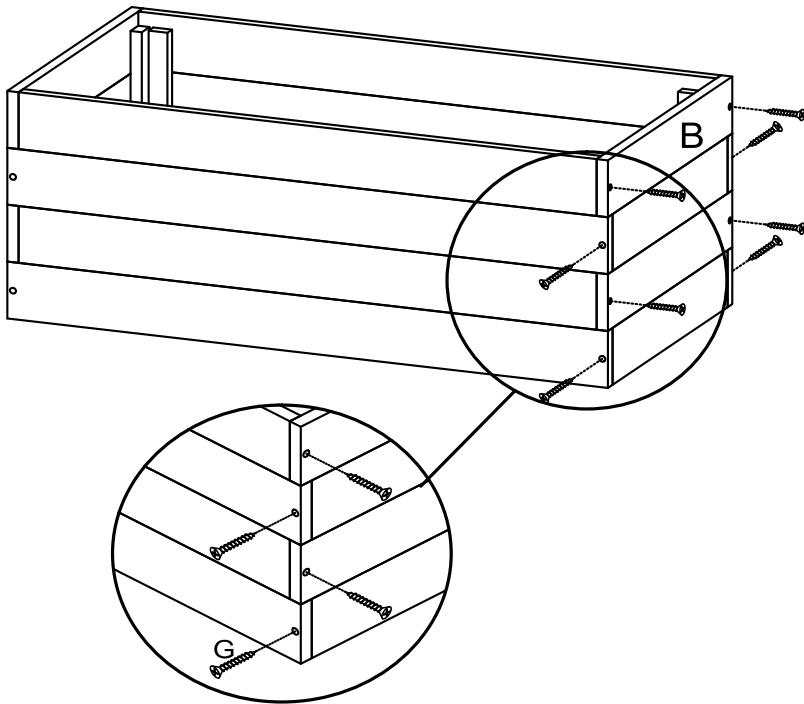
## STEP 2

Secure back panel( part A ) to side panel (part B)  
with screws G x4pcs.



## STEP 3

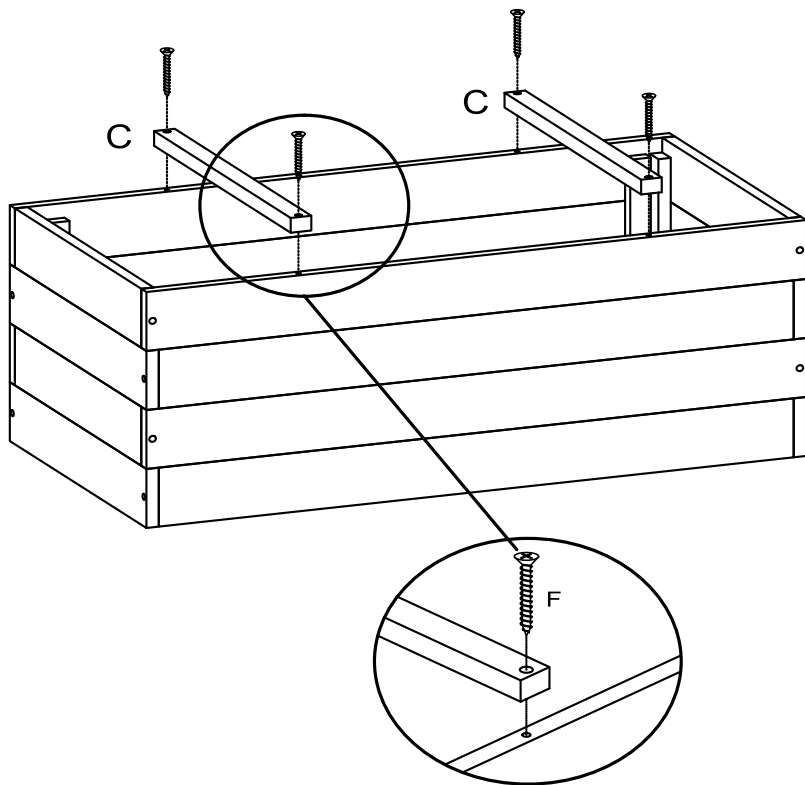
Secure side panel( part B) to front and back panel with screw Gx 8pcs.



 Gx8PCS

## STEP 4

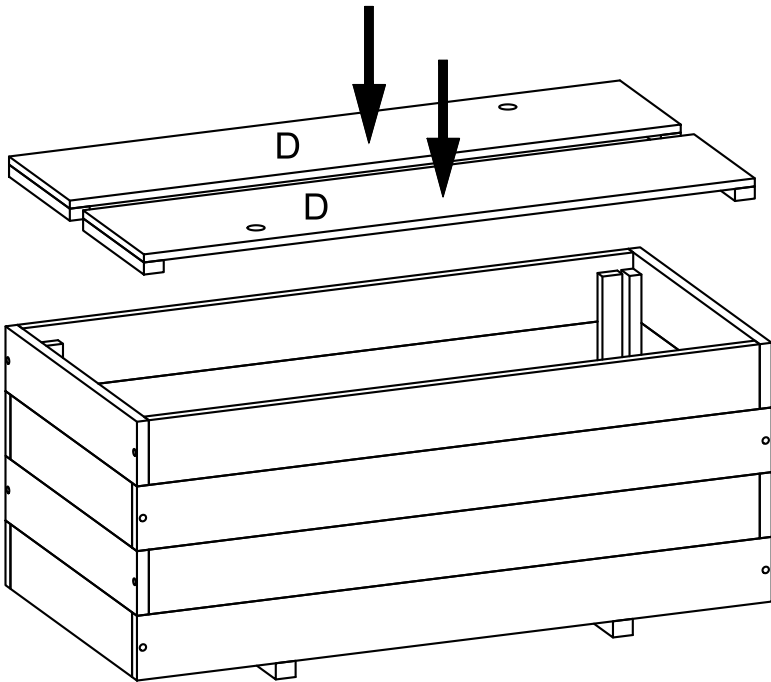
Secure support wooden strip ( part C )to the bottom of planter box with screws Fx4pcs.



 Fx4PCS

## STEP 5

Place the bottom panel (part D) to planter box.



## STEP 6

Place the non- woven bag(part E) to planter box.

