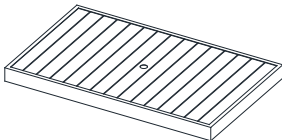



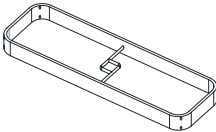







Ainsley 7 PC Dining Set - Table

Before You Begin

Please check to make sure you have the following:

Ref	Part Name	Part Image	Qty	Ref	Part Name	Part Image	Qty
A	Table Top Frame		1	E	Short Bolt (M6x15)		8
B	Table Legs		4	F	Washer (M6)		16
C	Stretcher		1	G	Hex Wrench (M6)		1
D	Long Bolt (M6x 30)		8	H	Bolt Covers		16



If you have any questions or concerns please call toll free at: 1-800-877-2290 / Fax: 1-800-733-4257, Monday through Friday, between 8:00 a.m. and 5:00 p.m., Central Standard Time.

Assembly Instructions

TO AVOID POTENTIAL SCRATCHING TO PARTS BY ROUGH GROUND SURFACE, COVER GROUND WITH SOFT SMOOTH PROTECTIVE MATERIAL ON WHICH TO PLACE PARTS DURING ASSEMBLY.

Step 1:

Remove protective wrapping and lay all parts on floor. Identify all parts packed in carton against attached parts list.

Step 2:

Lay Table Top Frame (A) upside down on ground covered with protective material, so bottom is facing up.

Step 3:

Then attach each of four legs (B) to the bottom as shown in Diagram 1, using Short Bolts (E) and Washers (F). Then attach round Stretcher (C) to each Leg (B), using Long Bolts (D) and Washers (F) as shown in Diagram 2. Loosely thread all bolts first before going back to tighten with Hex Wrench (G).

Step 4:

Make sure all Bolts (D,E) are aligned properly and tightened sufficiently. Then, place Bolt Covers (H) over Bolts (D,E). With a second person's assistance, carefully turn the table over onto its legs on a flat surface as shown in Diagram 3.

HELPFUL TIP: When attaching frame parts together, first loosely thread all bolts into their attachment points and make sure all parts and bolts fit in place properly. Then go back to fully and securely tighten all bolts accordingly. Tightening first bolt immediately without all frame parts and bolts positioned in place may cause frame parts not to fit properly and make assembly difficult.

NOTE: IT IS USER'S RESPONSIBILITY TO MAKE SURE ALL PARTS ARE ASSEMBLED PROPERLY AND PARTS TIGHTENED SECURELY BEFORE USING FURNITURE.

⚠ WARNING: TABLE IS NOT MEANT FOR SITTING. DO NOT SIT OR LEAN FULL BODY AGAINST TABLE. SUCH ACTION MAY RESULT IN DAMAGE TO TABLE AND INJURY.

Diagram 1

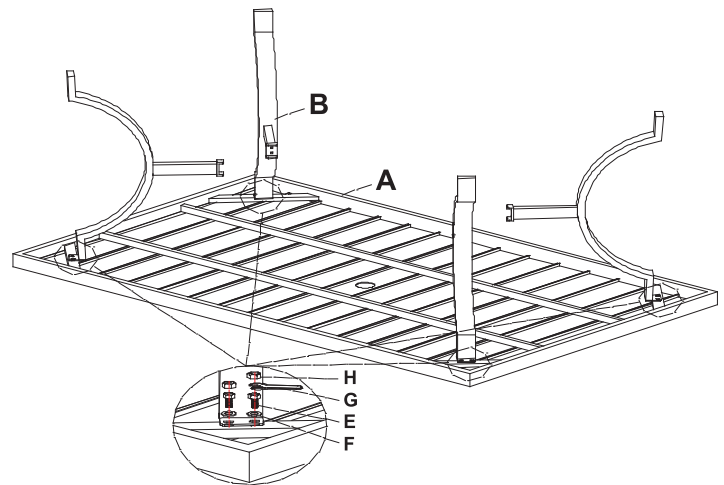


Diagram 2

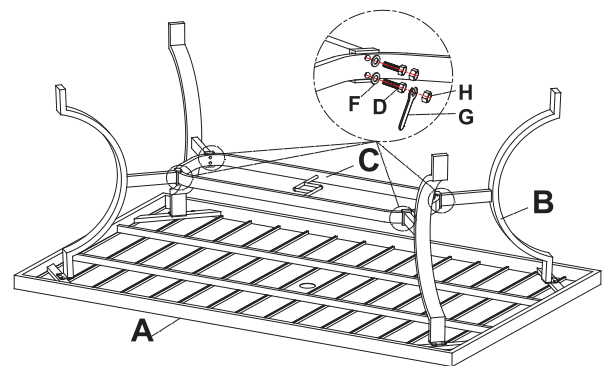
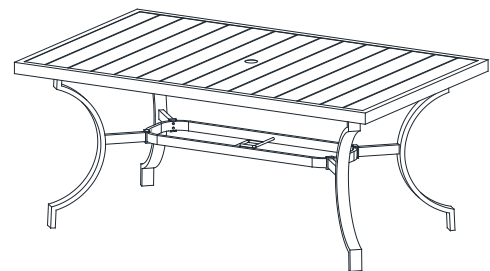


Diagram 3



Care and Maintenance Instructions:

To maintain the beauty of your Living Accents furniture, wipe with a clean, damp cloth before each use. When not in use, protect your furniture with a Living Accents outdoor furniture cover. Visit your local retailer for a wide product selection.

Limited One Year Warranty**What is covered under this warranty?**

This product is covered under the Manufacturers Limited Warranty. To ensure your complete satisfaction, this warrants to the original purchaser that this furniture is free from defects in material and workmanship as of the date of purchase and that it will, under normal use and proper care, remain so for one year after the date of purchase. Replacement of missing or initially defective parts will be sent at no charge for a period of 10 days from date of purchase. The manufacturer and retailer will not be responsible for missing parts and/or hardware after 10 days from date of purchase.

Warranty does not cover:

Freight and packaging charges to and from our customer service center remain the customer's responsibility. Labor or material charges to remove or replace parts are not covered under this warranty. Any floor sample sales or clearance sales from the store are not covered by this warranty. Furniture used for commercial purposes; failures caused by improper care; unreasonable or abusive use; damage by modification or alteration; freeze damage; acts of nature; rust; fabric stains; ripping or fading; purchased parts; or return freight and packaging charges are not covered under this warranty. Proof of purchase (dated register receipt) is required for warranty claims.

How to obtain service:

If you have any questions or concerns please call toll free at: 1-800-877-2290 / Fax: 1-800-733-4257, Monday through Friday, between 8:00 a.m. and 5:00 p.m., Central Standard Time.

Printed in China