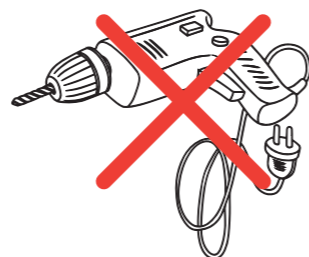
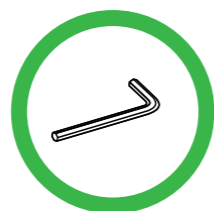


To deodorize the chair, leave it in a shaded and well-ventilated outdoor area for 1-2 days.



For long-term use, periodically retighten all bolts with the provided Allen Key. Do not use an electric screwdriver, as it may damage the chair. Always tighten the bolts manually.

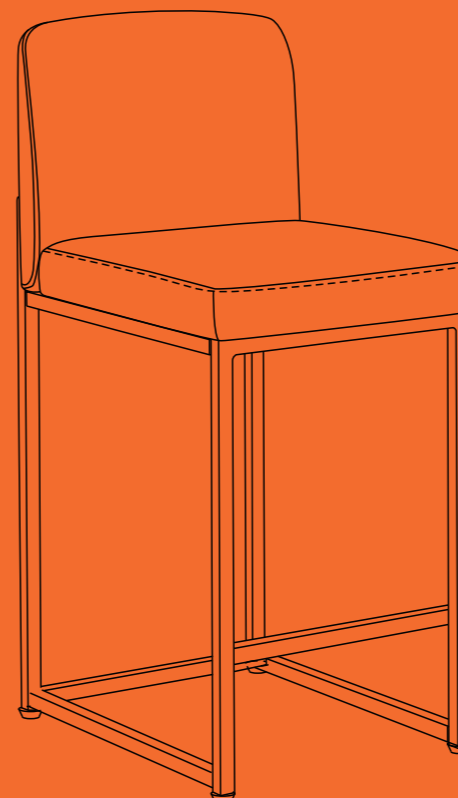


## Safety Information

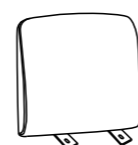


# INSTRUCTION MANUAL

# INSTRUCTION MANUAL



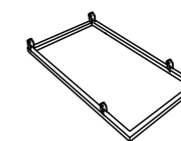
## Parts List



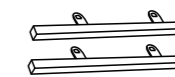
(A)\*1



(B)\*1



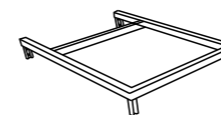
(C)\*1



(D)\*2



(E)\*2



(F)\*1



(G)\*16  
M6 x 14mm

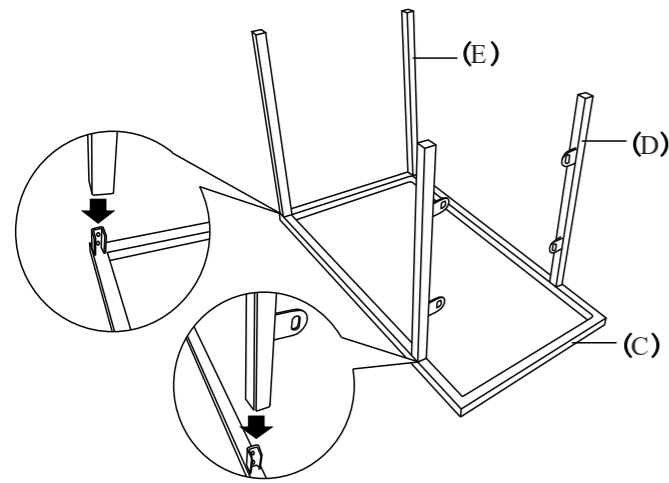


(H)\*6  
M6 x 20mm

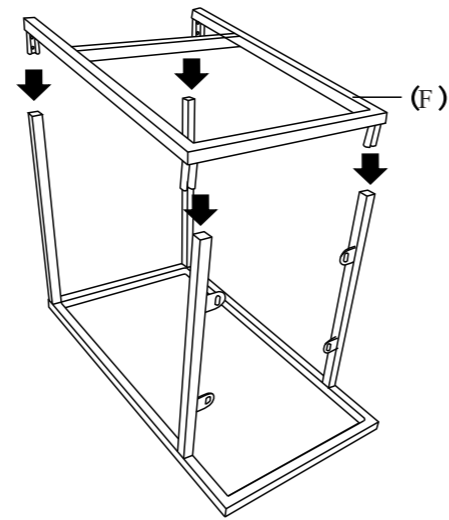


(I)\*1

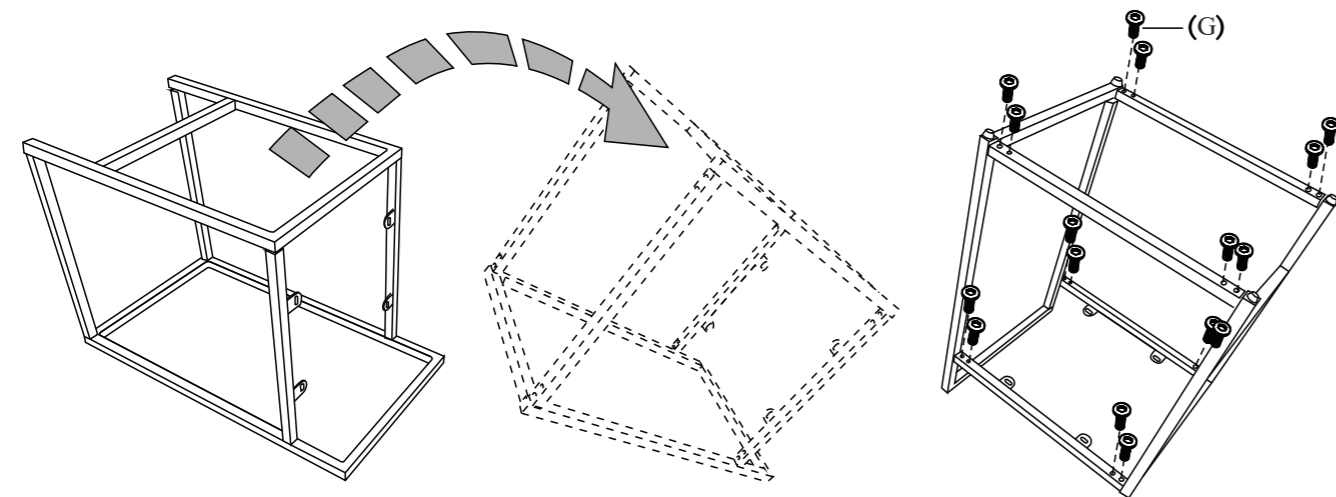
# Assembly Instruction



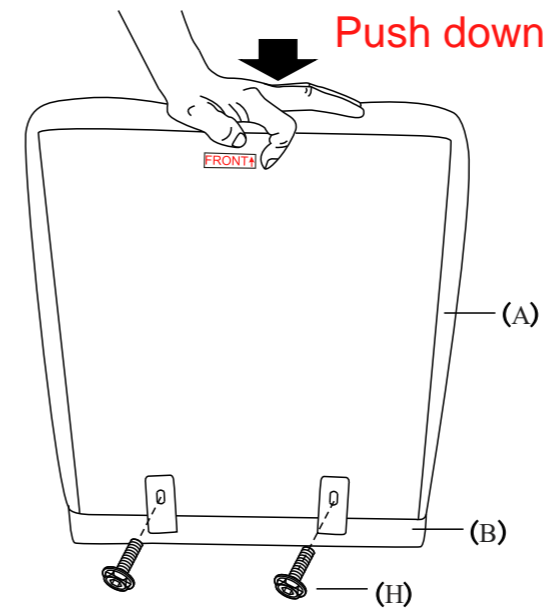
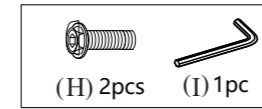
1



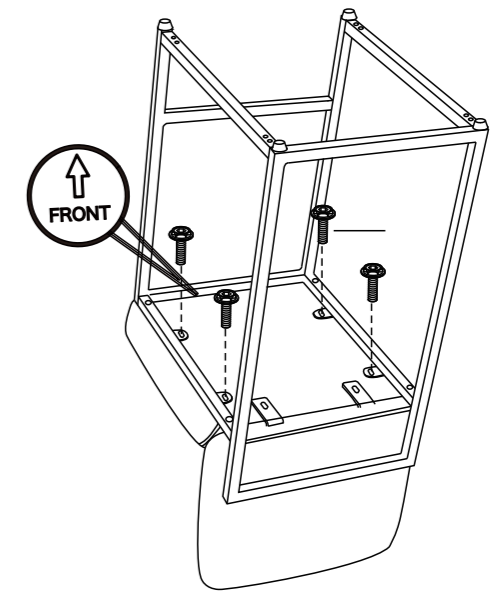
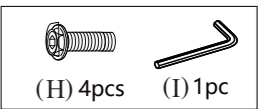
2



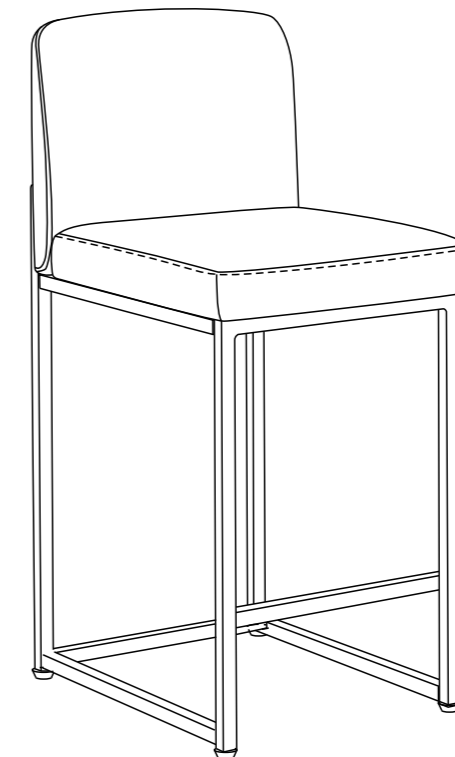
3



4



5



6

## CAUTION:

- \* Before using the chair, make sure all bolts are fully tightened.
- \* Lubricate moving parts and check all bolts every 6 months, or as needed.