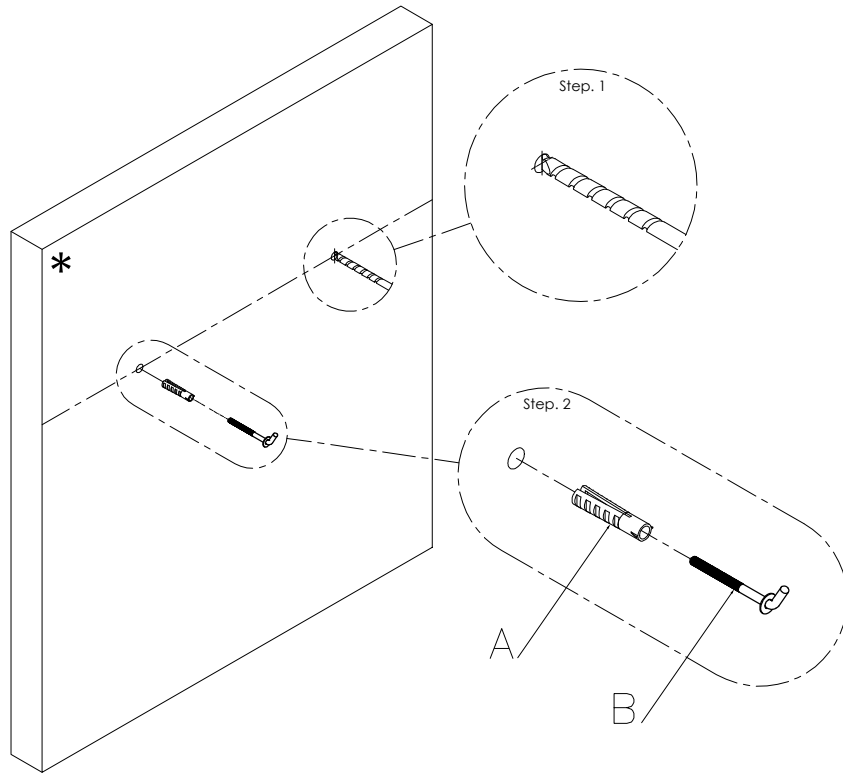
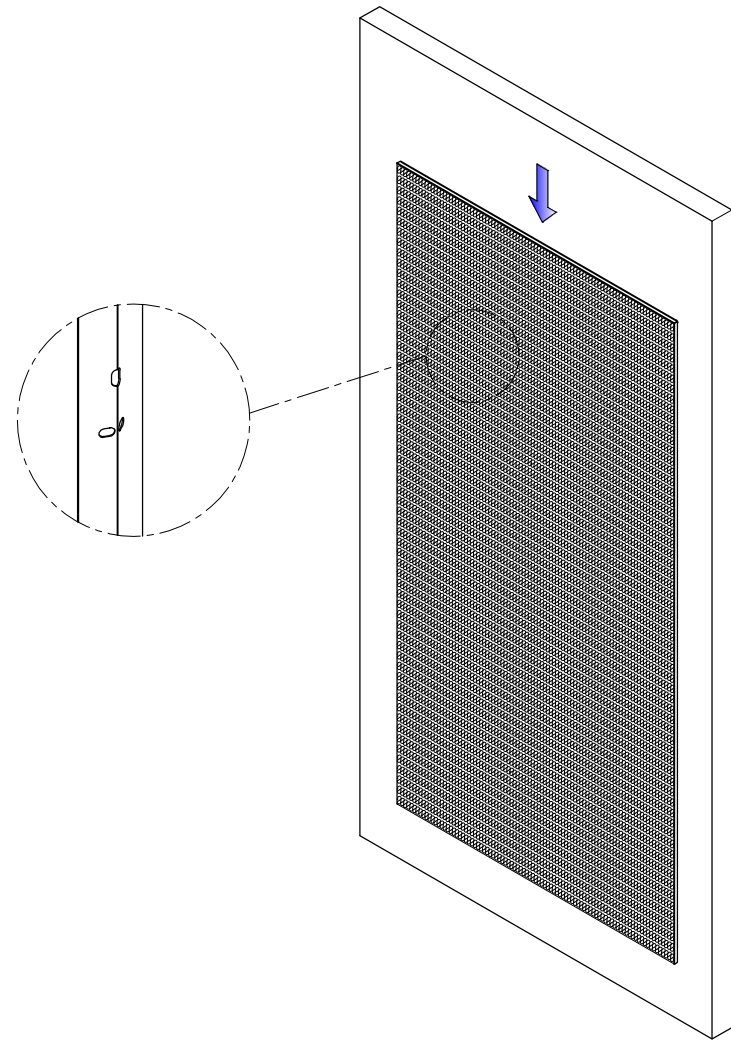




1



2



A	B
	
×2	×2

\*

ITA: Realizzare i fori sulla parete in coincidenza dei supporti.  
ENG: Drill holes on wall following the same distance between supports.