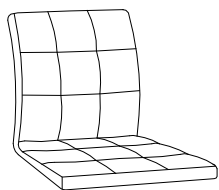


Diagram illustrating assembly instructions and safety warnings:

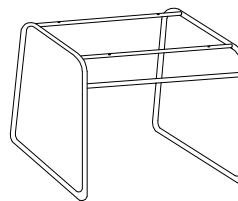
- Warning 1:** A triangle with an exclamation mark indicates a warning. The associated icons show an L-shaped bracket and a power drill with a slash through it, indicating that a power drill should not be used for this step.
- Warning 2:** A triangle with an exclamation mark indicates a warning. The associated icons show a rectangular block being placed on a surface and a diagram of a block with a hole and a slash through it, indicating that the block should not be placed on a surface with a hole.
- Time:** A clock icon indicates a duration of **15'** (15 minutes).
- Person:** A person icon indicates that **1** person is required for the assembly.

A



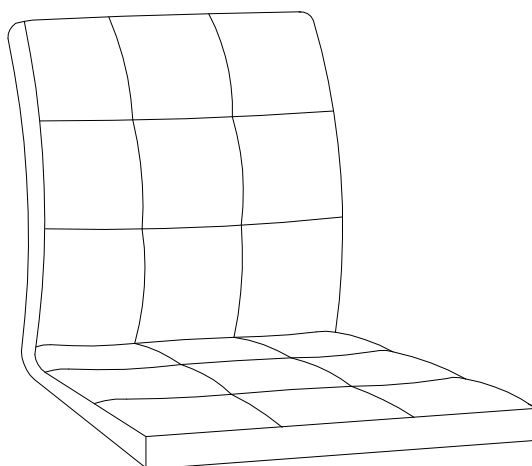
x 1

B

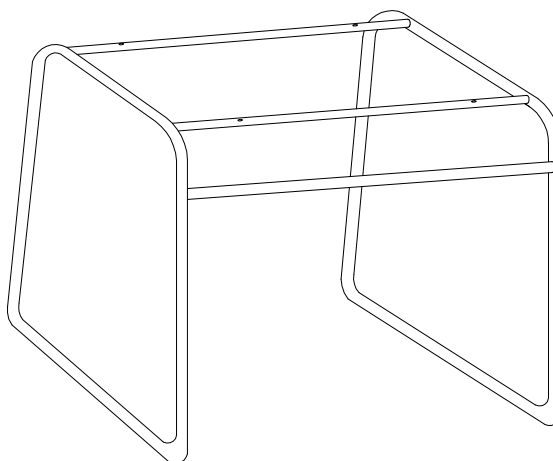


x 1

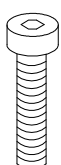
A



B



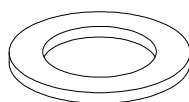
C



M6
x
25

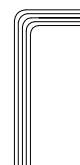
x 4

D



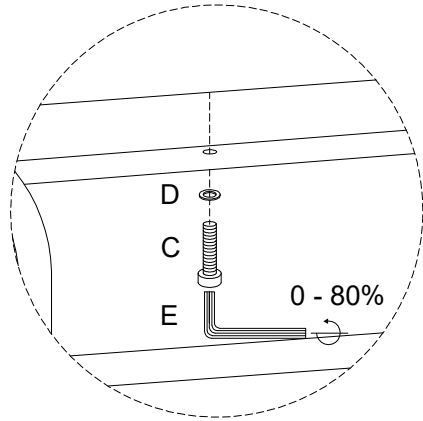
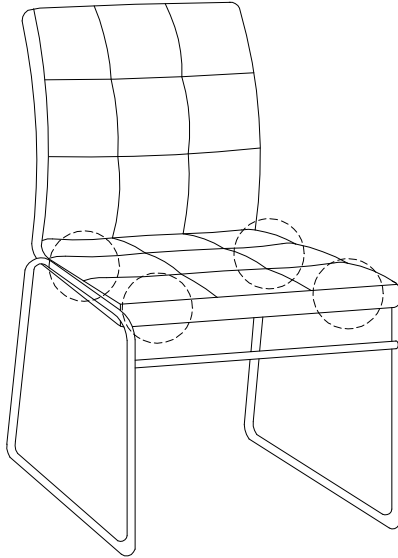
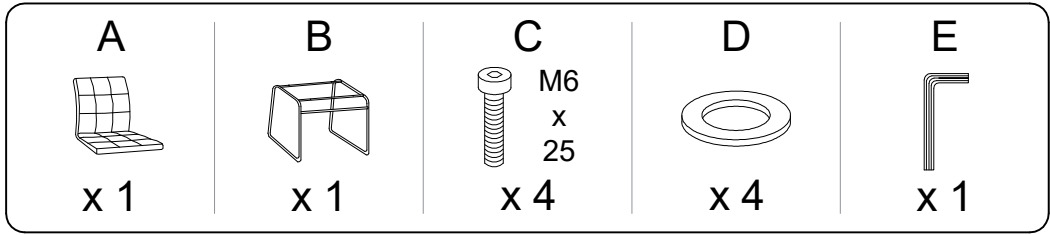
x 4

E



x 1

1



2

