

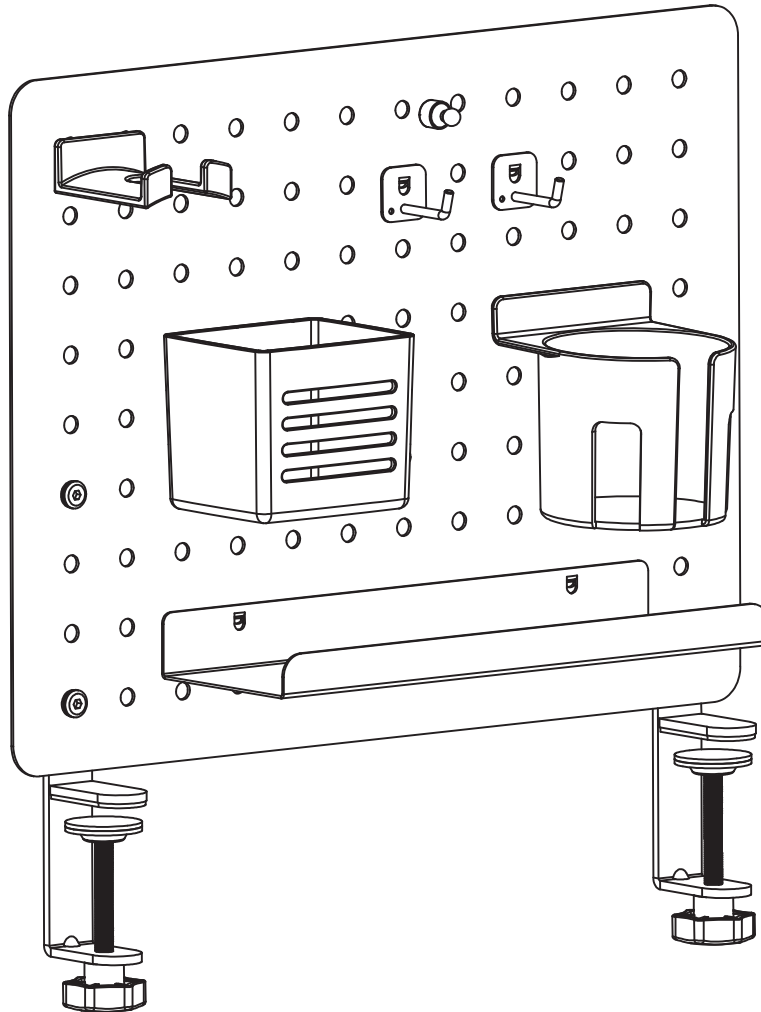
# MOUNT-IT!

Installation Manual

SKU: MI-7302BLK

SKU: MI-7302WHT

V1 12/24



Scan this QR code for product information, videos, and assembly assistance.

## DESK-MOUNTED PEGBOARD



**HAVE QUESTIONS?**

Monday - Friday from 5:00am - 5:00pm PST



[support@mount-it.com](mailto:support@mount-it.com)



(855) 925-5668



[www.mount-it.com](http://www.mount-it.com)

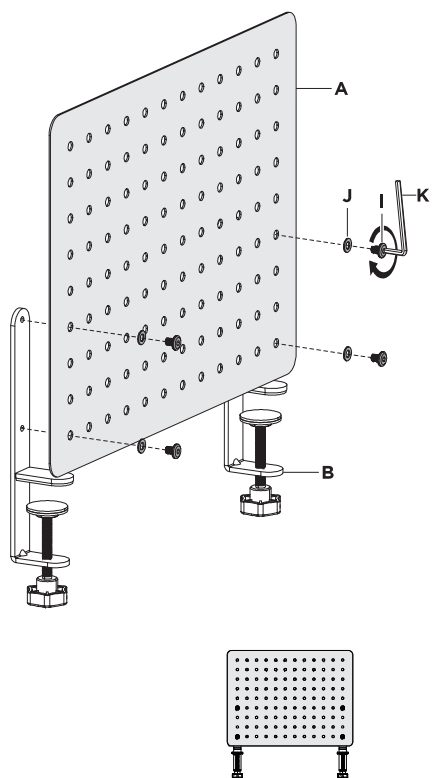


## Step 1

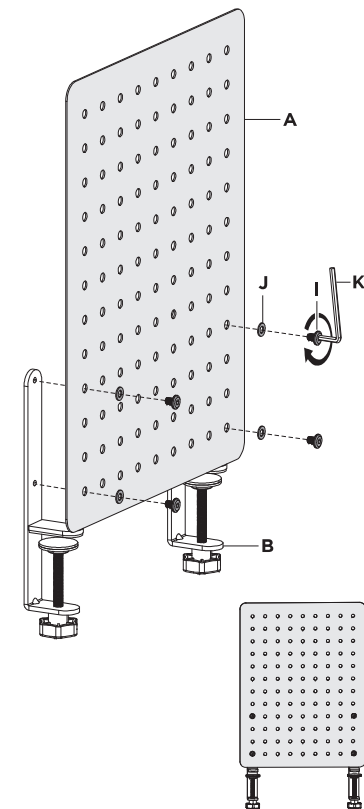
### Install the Clamps to the Pegboard

- Choose your preferred orientation for the Pegboard (#A). It may be installed in either a horizontal or vertical position.
- Position the Desk Clamps (#B) at the bottom edge of the Pegboard (#A) and attach them using the M6x8 Bolts (#I) and D6 Washers (#J). Tighten the bolts securely with the 4mm Hex Wrench (#K).

#### HORIZONTAL INSTALLATION



#### VERTICAL INSTALLATION

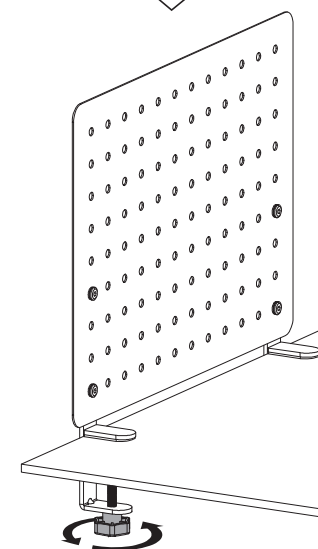
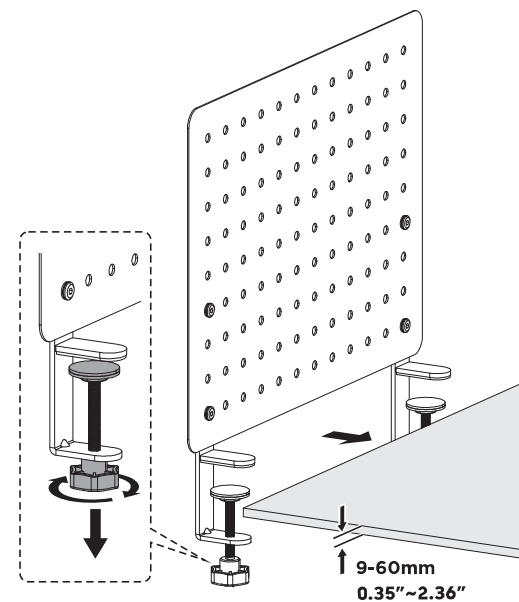


OR

## Step 2

### Attach the Pegboard to the Desk

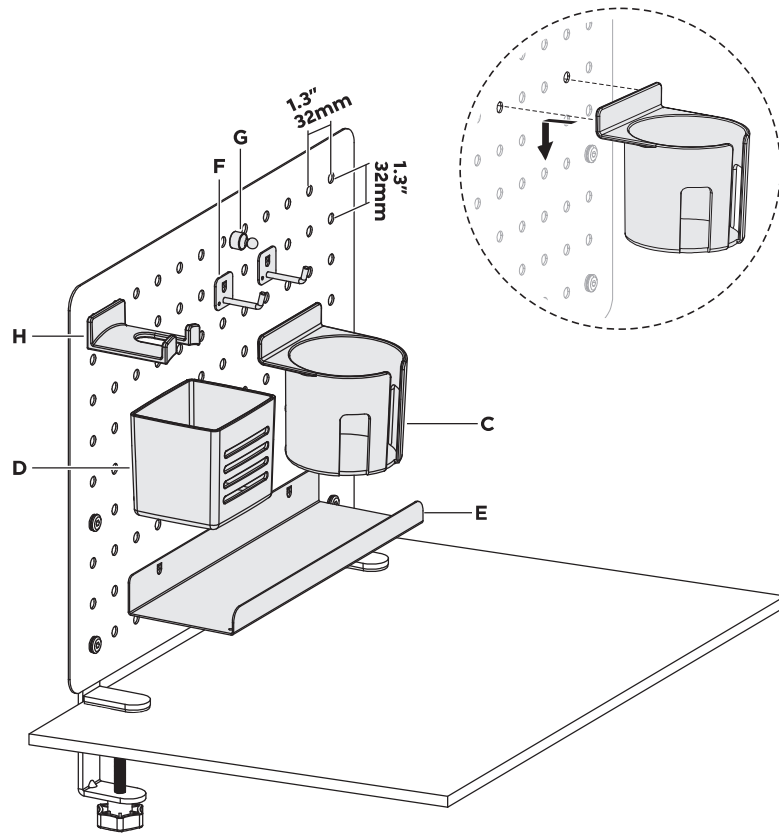
- Position the Desk Clamps (#B) so they align with the edge of the desk. Ensure the desk thickness is between 0.35"–2.36".
- Turn the handles on the Desk Clamps (#B) clockwise to tighten them securely against the underside of the desk.



## Step 3

### Arrange the Pegboard Components

- Hang the accessories on the pegboard in the arrangement that best suits your workspace.
- Insert the hooks on each component into the pegboard holes and slide them down until secure.



Visit us at [www.mount-it.com](http://www.mount-it.com) for product registration and warranty information.

---

Our US based customer service team is standing by to answer any questions you have about your Mount-It! product.



[support@mount-it.com](mailto:support@mount-it.com)

Available by phone **Monday - Friday from 5:00am to 5:00pm** PST.



(855) 925-5668

*Chat live with an agent on our website!*



[www.mount-it.com](http://www.mount-it.com)