






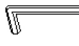


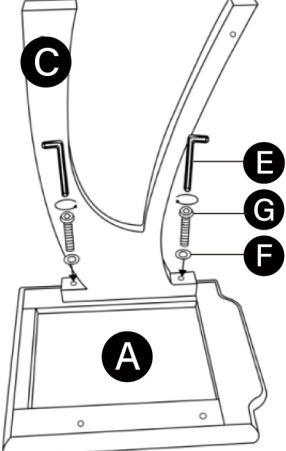
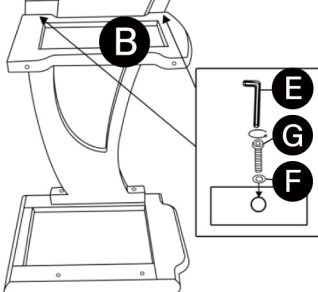
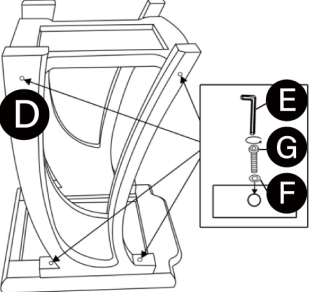
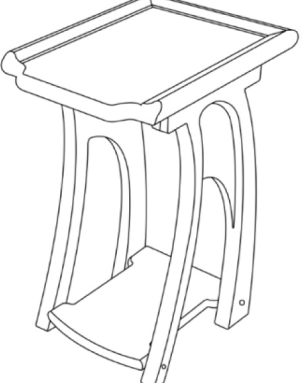
Thank You For Shopping With COZAYH HOME

We value your feedback and want to hear from you. To let us know how we can improve your shopping experience, or to ask a specific question about your order, please find our contact information below.

Customer Service Line: 1.312.600.5553 (M-F 9am-5pm Central Time)

Customer Service Email: Support@cozayh.com

Website: www.cozayhome.com

		SKU: PH03056		<h2>Assembly Instructions</h2>							
Laying out all parts and hardware and identifying each part as shown may help you assemble the table.											
ITEM	PART	DESC.	QTY	ITEM	PART	DESC.	QTY	ITEM	PART	DESC.	QTY
A		Table top	1	D		Right leg	1	G		Bolts (Ø6× 45mm)	8
B		Bottom shelf	1	E		Allen wrench	1	NOTE: Do not fully tighten the screws until all components are properly attached.			
C		Left leg	1	F		Flat washers	8				
<h3>STEP 1</h3>  <p>Flip table top A upside down. Attach leg C to the bottom of the table top A using bolts and flat washers as shown above.</p>			<h3>STEP 2</h3>  <p>Attach bottom shelf B to leg C using bolts and flat washers as shown above.</p>			<h3>STEP 3</h3>  <p>Attach leg D to bottom shelf B and table top A with bolts and flat washers.</p>			<h3>STEP 4</h3>  <p>Finish product. Please make sure all the bolts are fully tightened before using this table.</p>		



WARNING

- Do not dispose of any packaging or contents of the shipping carton until assembly is completed to avoid accidentally discarding small parts or hardware.
- Choking Hazard - Adult assembly required. It may contain small parts and sharp points.
- Do NOT use power tools.
- This product can hold a maximum load of 25 Lbs. Do NOT overload.



COZAYH HOME