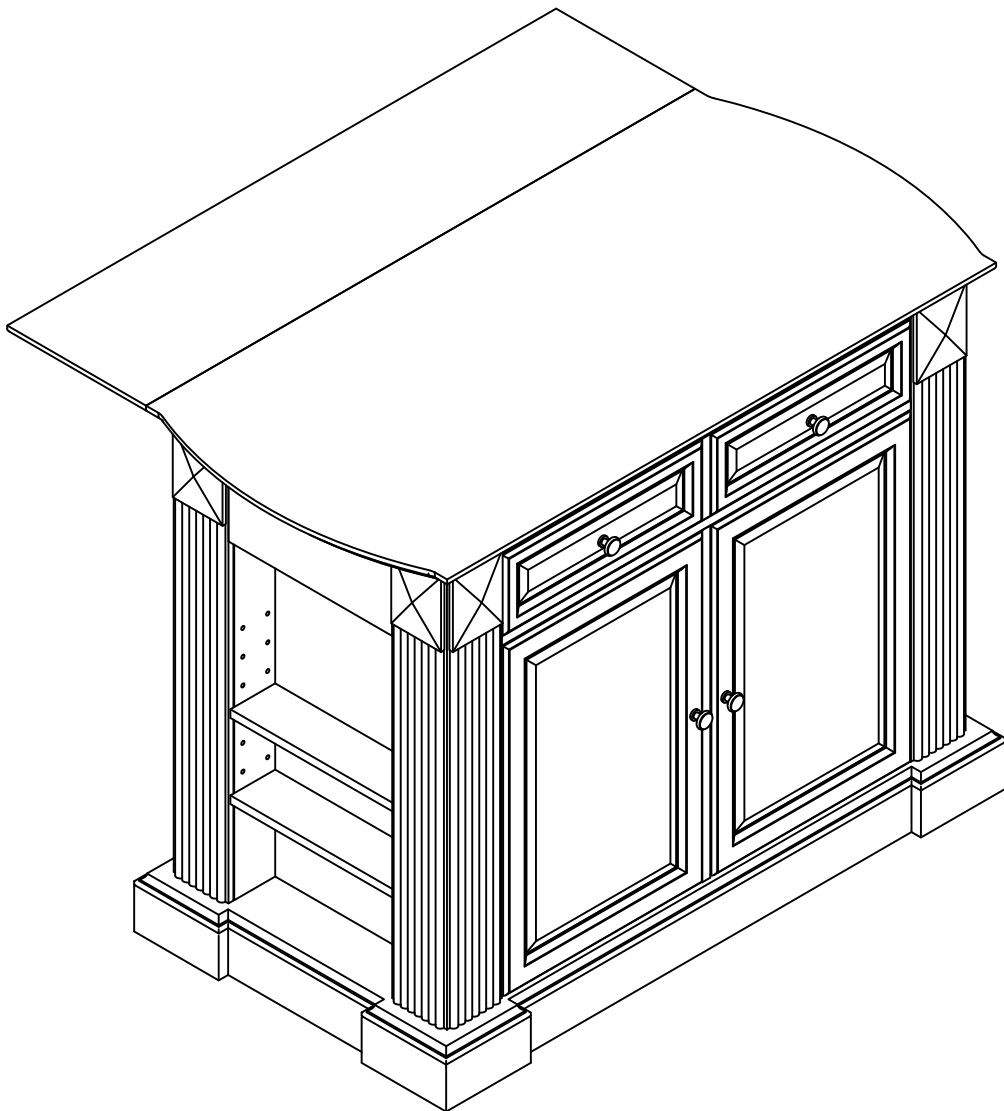


KITCHEN ISLAND WITH DROP LEAF

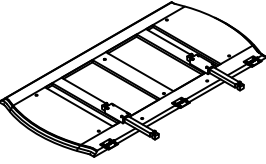
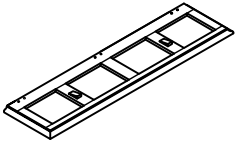
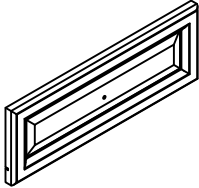
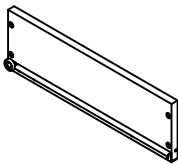
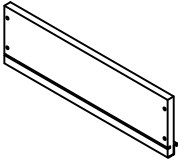
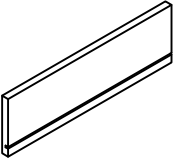
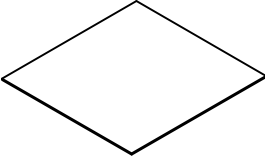
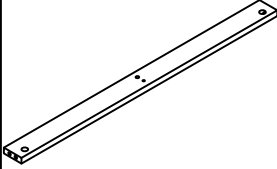
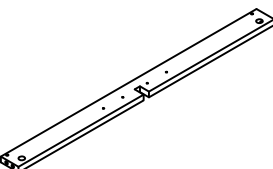
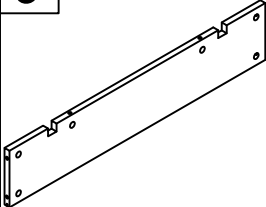
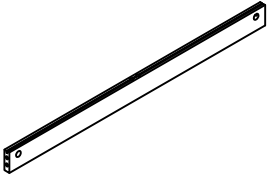

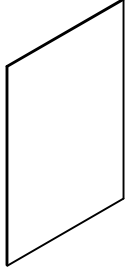
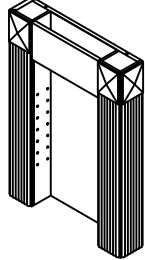
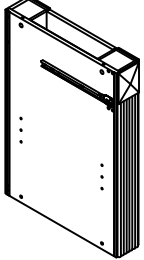
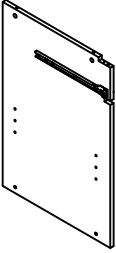
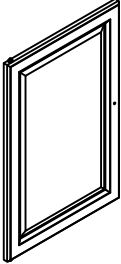
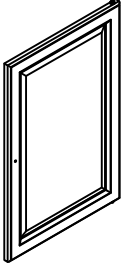
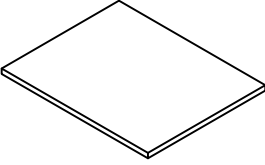
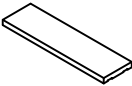
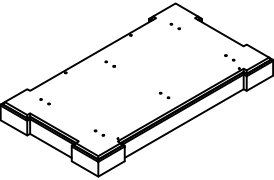


Congratulations! You have purchased a stylish piece of us, We strive to provide fine furniture products, built with quality materials and hand finished details. Please carefully follow the assembly instructions to ensure your furniture is assembled correctly to provide long lasting enjoyment.




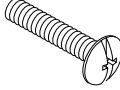
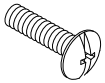




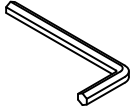
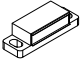


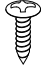


Should you experience any missing or damaged parts, **do not return to the store**, Please visit our website, or contact us

Care: Use a soft clean cloth that will not scratch the surface when dusting. Use of furniture polish is not necessary. Should you choose to use polishes, test in an inconspicuous area first. Use of solvents of any kind may damage your furniture's finish. To clean, simply use a soft clean cloth moistened with lukewarm water, then buff with a dry soft clean cloth.

PART LIST

				
<p>Top 1 PC</p>	<p>Drop Leaf 1 PC</p>	<p>Drawer Front Panel 2 PCS</p>	<p>Drawer Left Side Panel 2 PCS</p>	<p>Drawer Right Side Panel 2 PCS</p>
				
<p>Drawer Back Panel 2 PCS</p>	<p>Drawer Bottom Panel 2 PCS</p>	<p>Front Top Rail 1 PC</p>	<p>Front Middle Rail 1 PC</p>	<p>Back Top Exterior Rail 1 PC</p>
				
<p>Back Bottom Rail 1 PC</p>	<p>Partition Rail 1 PC</p>	<p>Back Panel 2 PCS</p>	<p>Left Side Frame 1 PC</p>	<p>Right Side Frame 1 PC</p>
				
<p>Partition Panel 1 PC</p>	<p>Left Door 1 PC</p>	<p>Right Door 1 PC</p>	<p>Big Adjustable Shelf 2 PCS</p>	<p>Small Adjustable Shelf 4 PCS</p>
				
<p>Base 1 PC</p>				

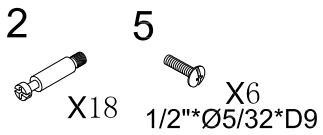
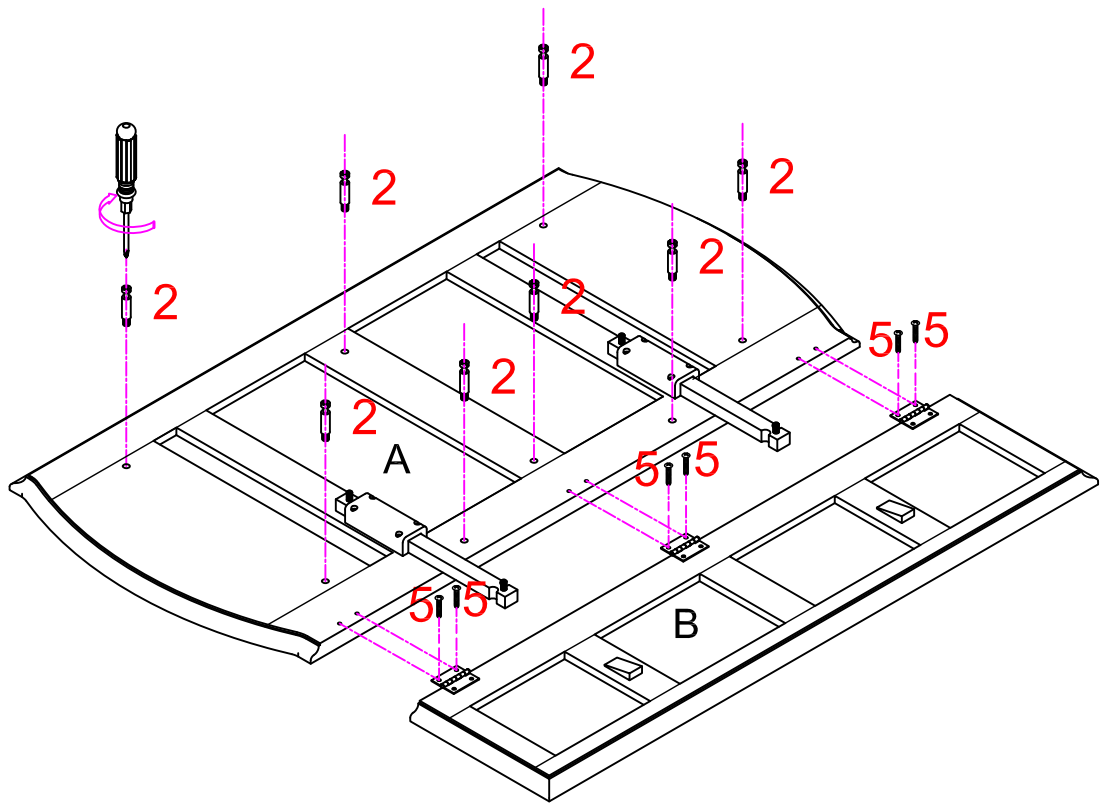
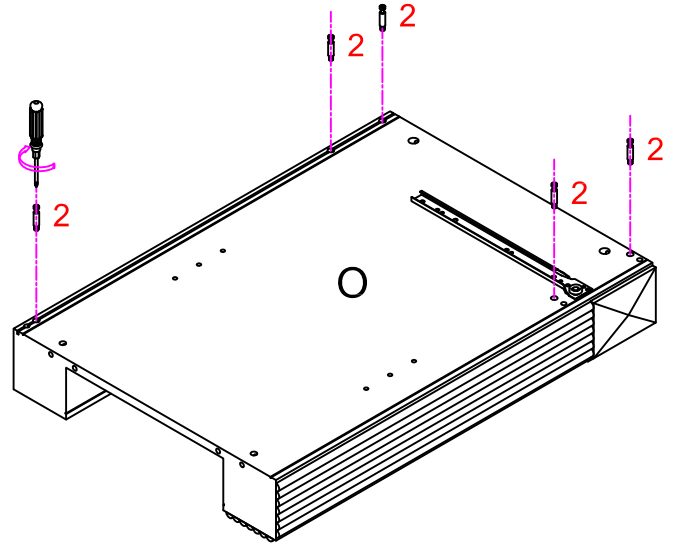
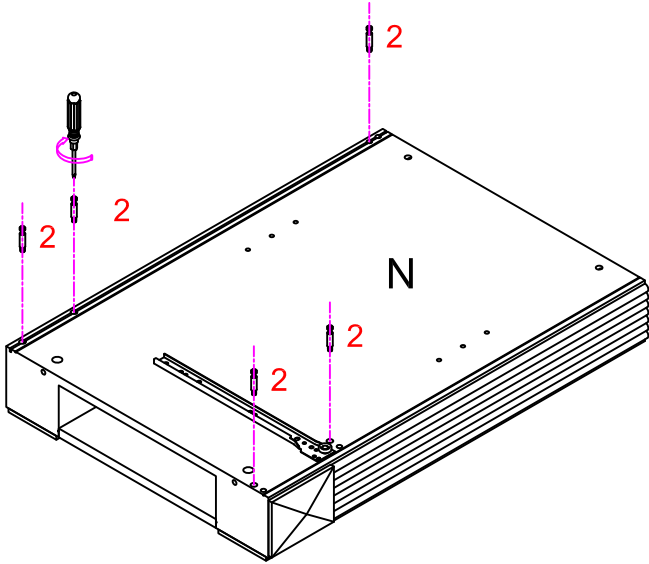
HARDWARE LIST

<p>1</p> 	<p>2</p> 	<p>3</p> 	<p>4</p>  <p>7/8"*Ø5/32*D9</p>	<p>5</p>  <p>1/2"*Ø5/32*D9</p>
<p>Wood Dowel 19 PCS</p>	<p>Cam Bolt 18 PCS</p>	<p>Cam Lock 18 PCS</p>	<p>Long Round Head Bolt 4 PCS</p>	<p>Short Round Head Bolt 6 PCS</p>
<p>6</p> 	<p>7</p> 	<p>8</p> 	<p>9</p> 	<p>10</p> 
<p>Knob 4PCS</p>	<p>Barrel Nut 6 PCS</p>	<p>Hex Socket Head Bolt 6 PCS</p>	<p>Flat Washer 6 PCS</p>	<p>Allen Key 1 PC</p>
<p>11</p> 	<p>12</p> 	<p>13</p> 	<p>14</p> 	<p>15</p>  <p>1"*Ø4*D8</p>
<p>Magnet 2 PC</p>	<p>Pin Hinge (Spare Parts) 4 PCS</p>	<p>Shelf Holder 24 PCS</p>	<p>Round Head Screw 4 PCS</p>	<p>Short Flat Head Screw 16 PCS</p>
<p>16</p>  <p>1-1/4"*Ø4*D8</p> <p>Long Flat Head Screw 1 PC</p>				

Tools needed: Allen key (part#11) (included)
Phillips Head Screw Driver (Not included)

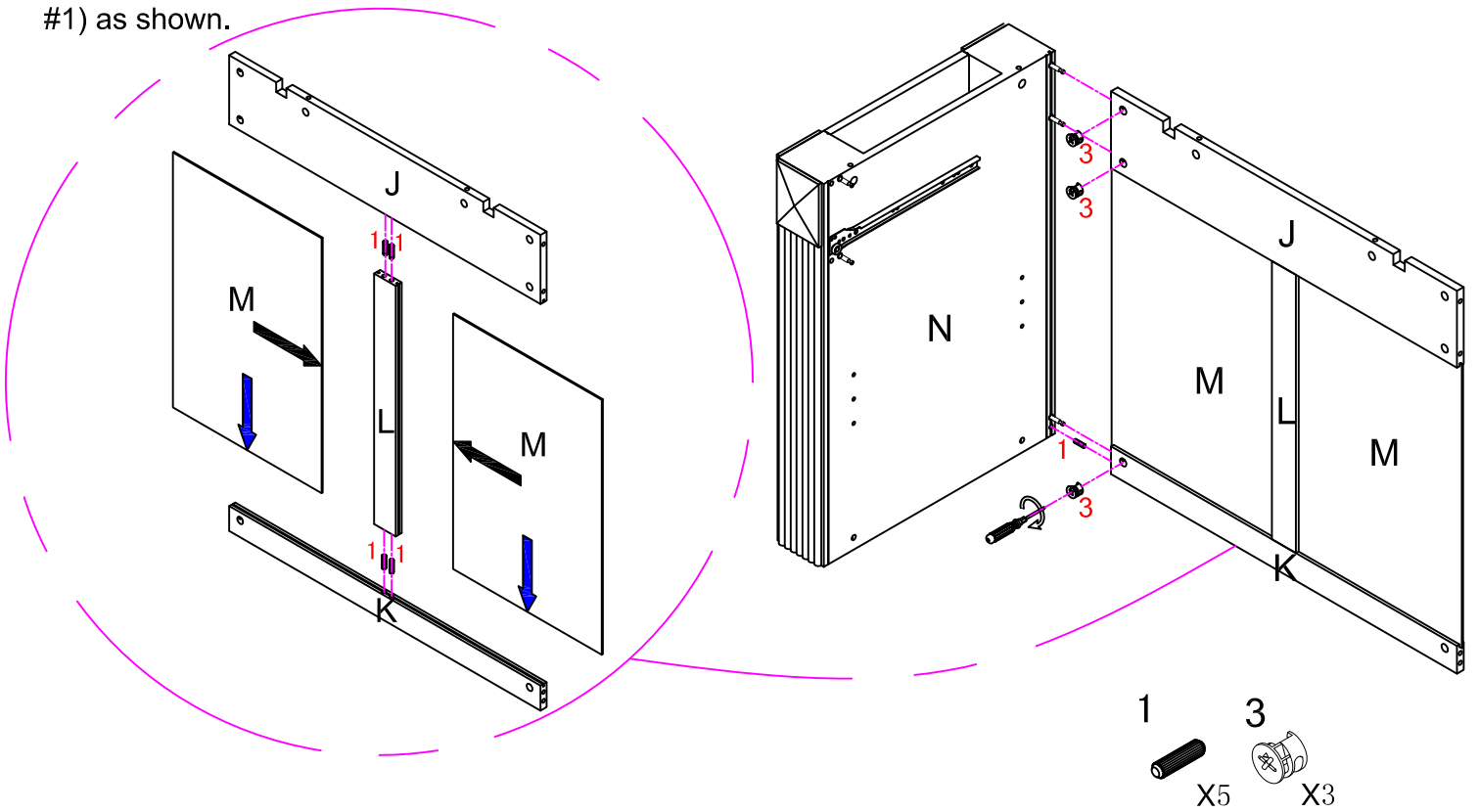
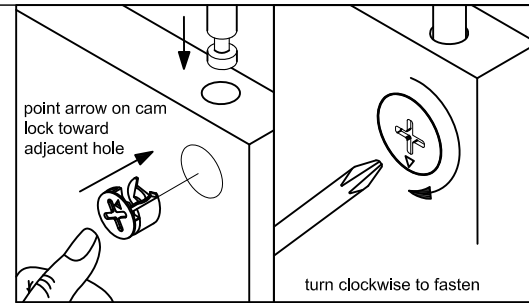
Step 1

Insert Cam Bolts (Part #2) into pre-drilled holes of parts A, O & N using a Phillips head screw driver. Attach Drop Leaf (Part B) to Top (Part A) using Short Round Head Bolts (Part #5) as shown.



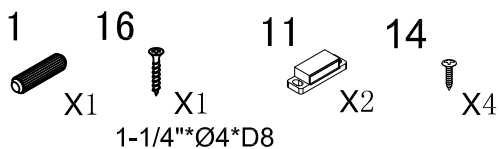
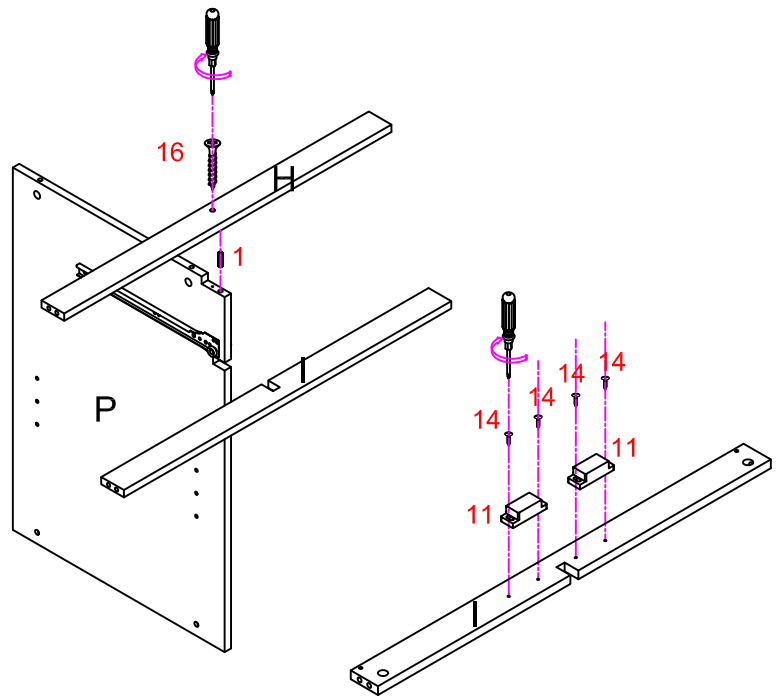
Step 2

Note - Two people are required for this step.
 Attach Back Top Exterior Rail (J) & Back Bottom Rail (K) to the Partition Rail (L) with Wood Dowels (Part #1), and insert Back Panels (M) as shown.
 One person will need to hold assembled Parts J, K, L & M up straight, while the other person attaches Side Frame N to Parts J & K using Cam Locks (Part #3) & Wood Dowels (Part #1) as shown.

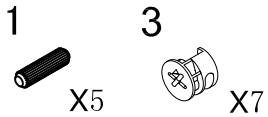
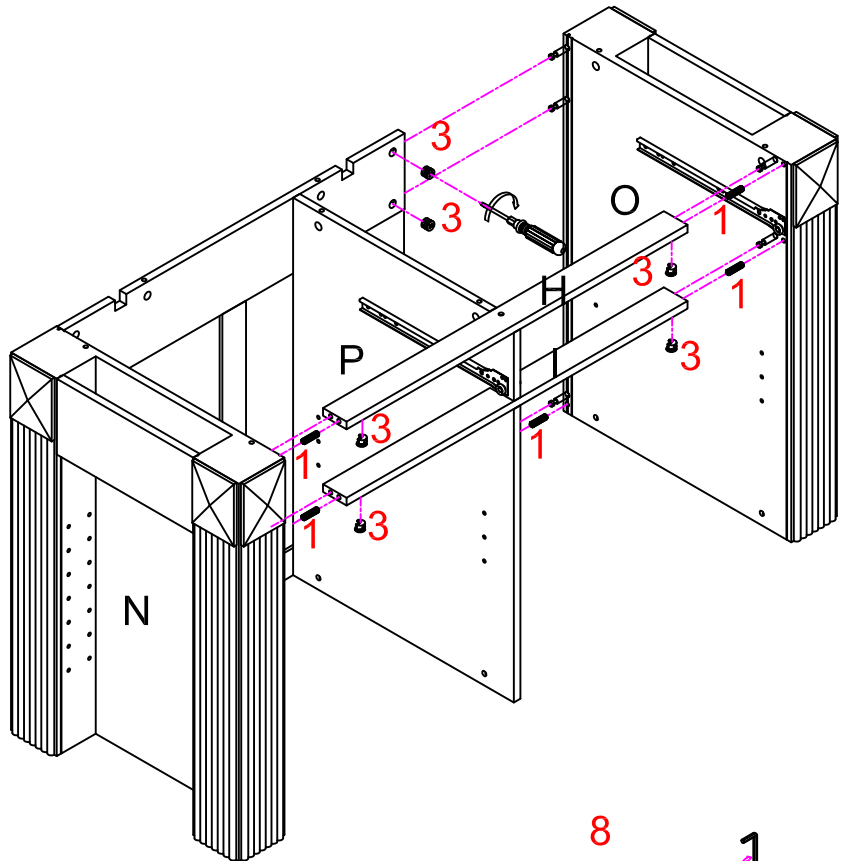


Step 3

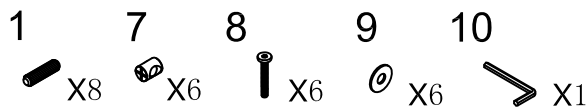
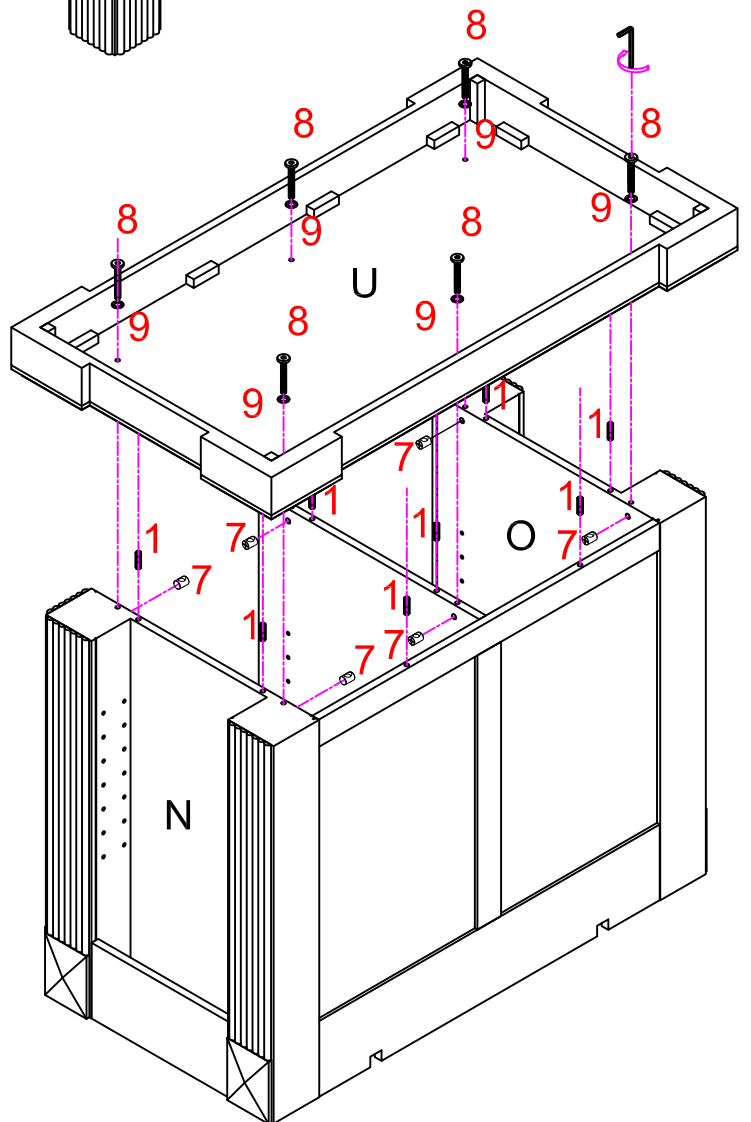
Attach the Magnets (Part #11) to the Front Middle Rail (I) using Round Head Screws (Part #14) as shown.
 Attach the Front Top Rail (H) using Wood Dowel (Part #1) and Long Flat Head Screw (Part #16) as shown. Slide Rail into place with Partition Panel (P) as shown.
 Note - Be sure that magnets are facing down.

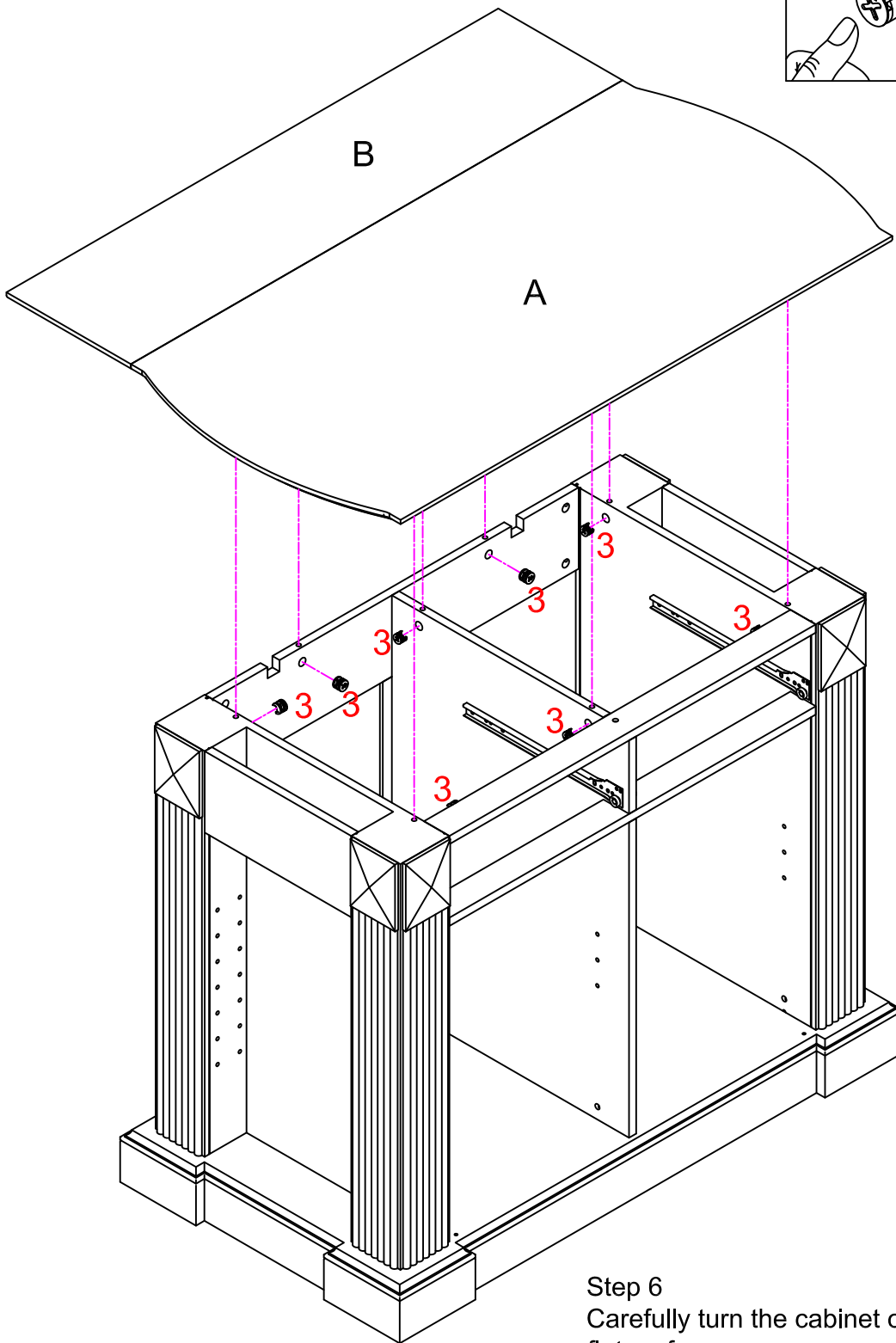
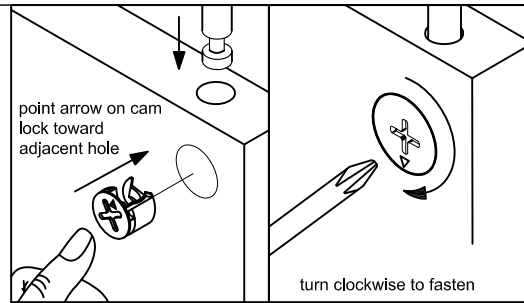


Step 4
 Attach assembled parts H, I & P to Side Frame (N) with Wood Dowels (Part #1) & Cam Locks (Part #3) as shown.
 Attach Right Side Frame (O) to Back Top Exterior Rail (J), Back Bottom Rail(K) & Rail (H & I) using Wood Dowels (Part #1) & Cam Locks (Part #3) as shown.



Step 5
 Carefully turn the cabinet over on a flat surface.
 Attach Base (U) to cabinet using Wood Dowels (Part #1), Barrel Nuts (Part #7), and Hex Socket Head Bolt (Part #8) with Flat Washer (Part #9) as shown.






Step 6

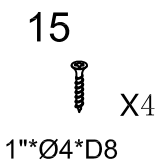
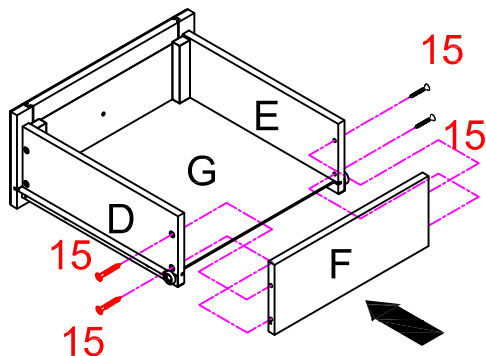
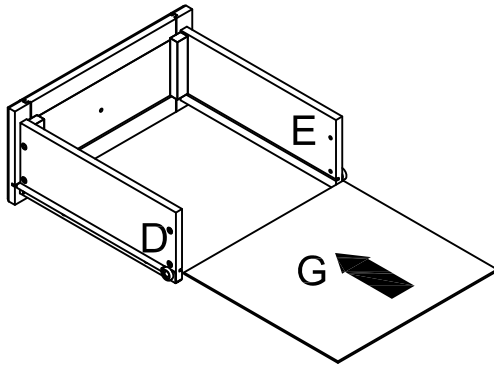
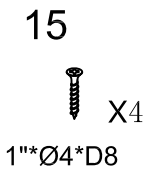
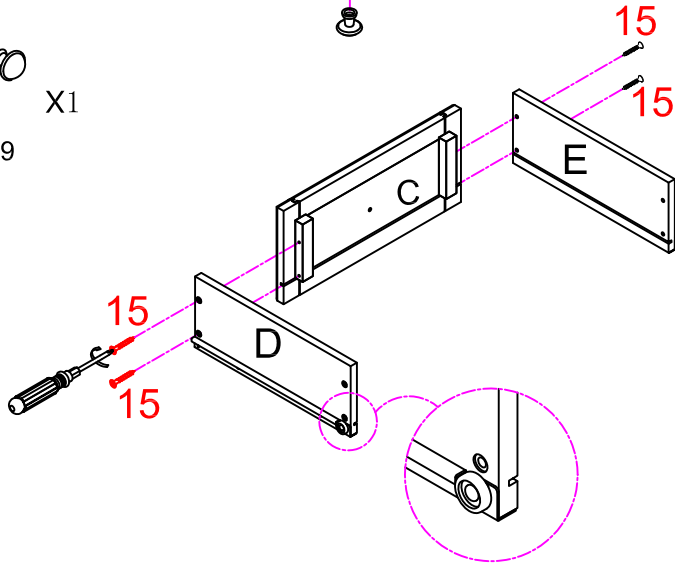
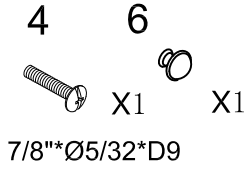
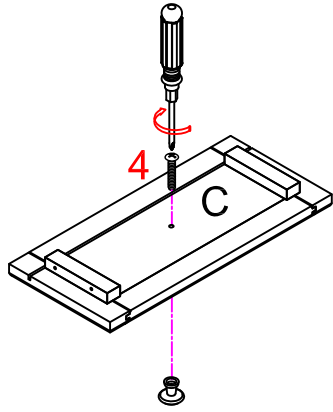
Carefully turn the cabinet over with the base on a flat surface.

Place the assembled Top (Parts A&B) onto the cabinet and attach using Cam Locks (Part #3) as shown.

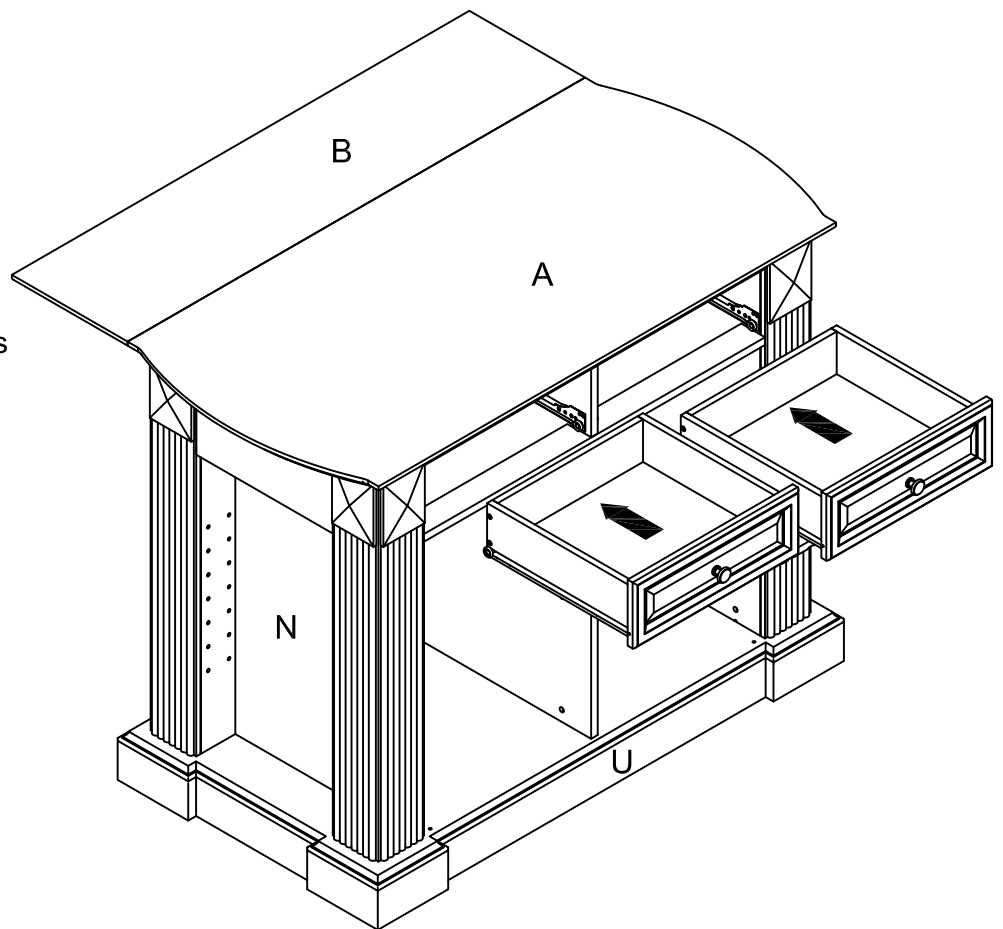
3
 X8

Step 7

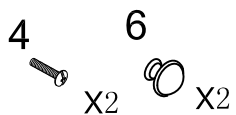
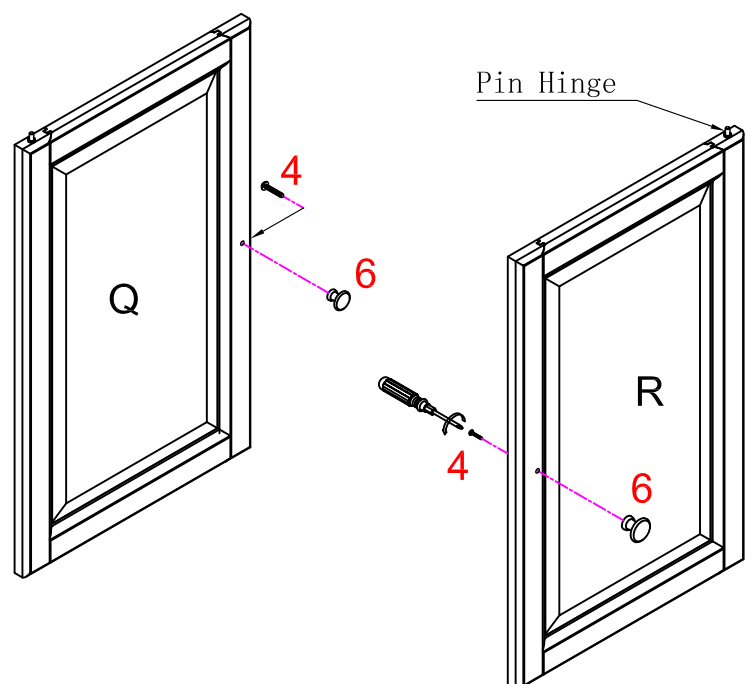
Attach Knob (Part #6) to the Drawer Front Panel (C) using Long Round Head Bolt (Part #4). Using Short Flat Head Screws (Part #15), attach the Left & Right Side Panels (D&E) to the Drawer Front Panel (C). Insert Drawer Bottom Panel (G) into the groove as shown. Using Short Flat Head Screws (Part #15), attach Drawer Back Panel (F) to Drawer Side Panels (D&E).
NOTE - Be sure that roller wheels on drawer glides are at the back side of the assembled drawer.



Step 8
Insert the assembled drawers as shown.

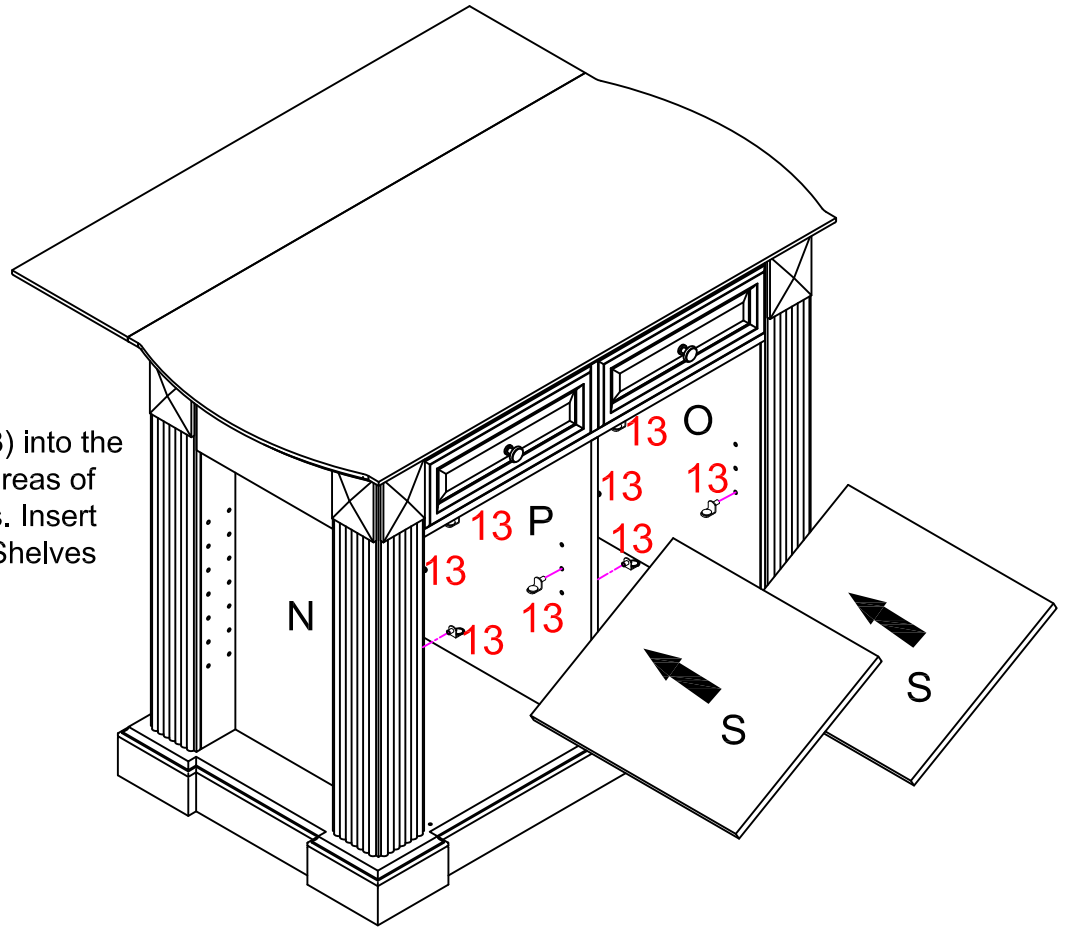


Step 9
Attach the knobs to the Left & Right Door (Q & R) using Long Round Head Bolts (Part #4).

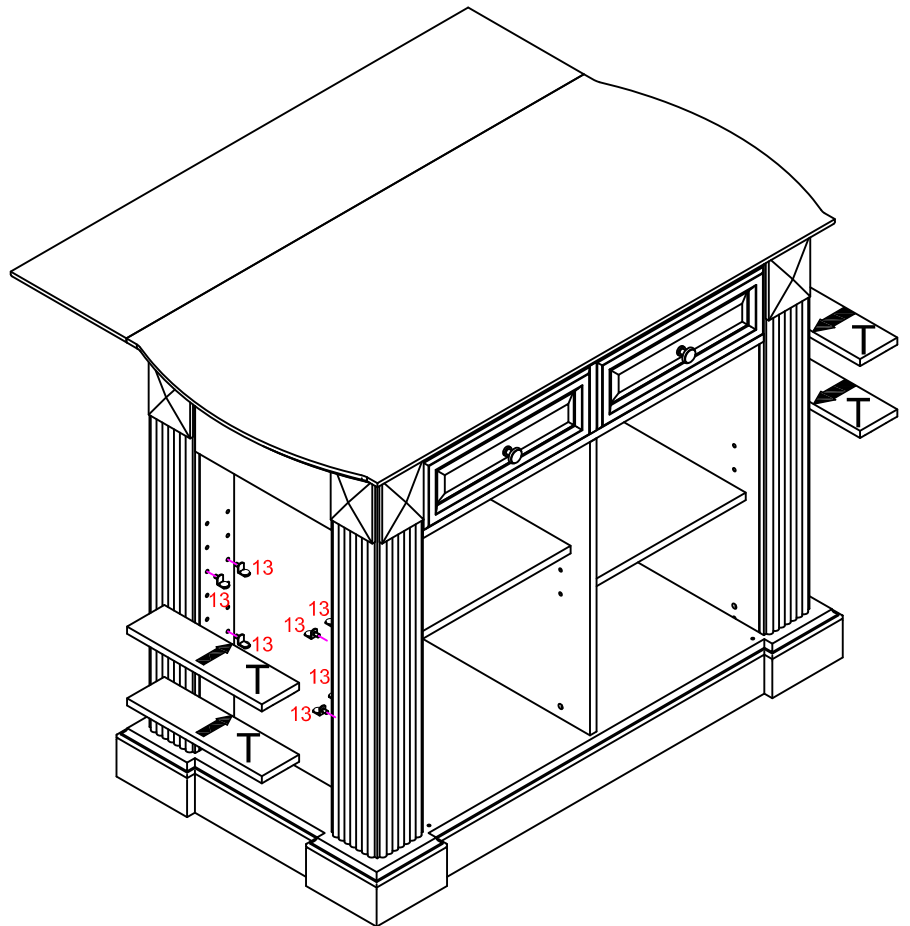
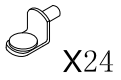


7/8" * Ø5/32 * D9

Step 10
Insert Shelf Holders (Part #13) into the interior and exterior storage areas of the cabinet at desired heights. Insert the Big Shelves (S) & Small Shelves (T) into place as shown.

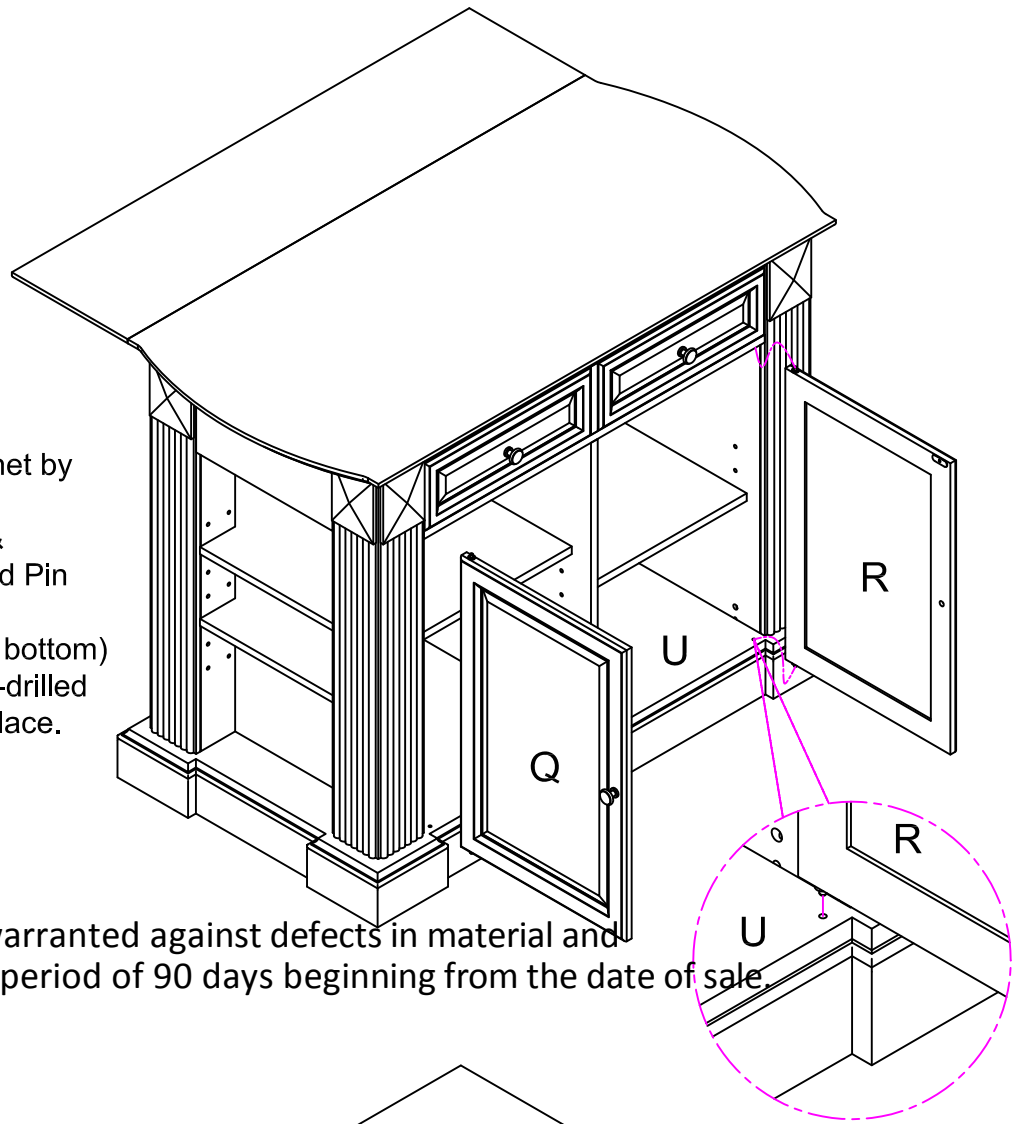


13



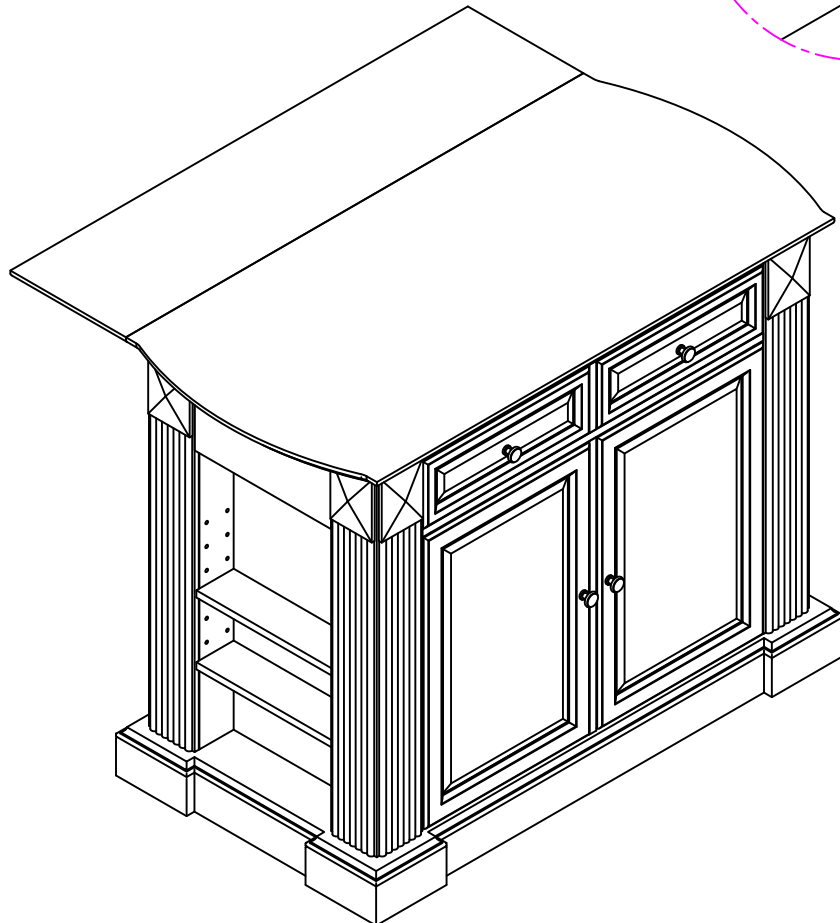
Step 11

Attach doors (Q&R) to the cabinet by placing bottom Pin Hinge into pre-drilled holes at the bottom & depressing the top spring loaded Pin Hinge to fit the doors into place.
Note: Be sure Pin Hinges (top & bottom) have fully extended into the pre-drilled holes to secure the doors into place.



Our Products are warranted against defects in material and workmanship for a period of 90 days beginning from the date of sale.

Congratulations! You are finished.



Limited Manufacturers Warranty

Our Products are warranted against defects in material and workmanship for a period of 90 days beginning from the date of sale. Should any parts be missing or defective, we will replace or repair the parts for a period of 90 days from the date of purchase.

Should you experience any missing or damaged parts, do not return to the store. Please visit our website, or contact us .