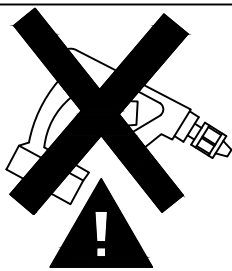
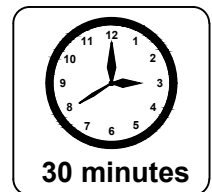
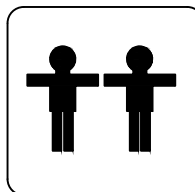


# ASSEMBLY INSTRUCTION

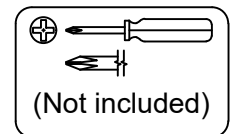
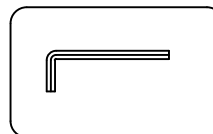
## CONSOLE TABLE WITH 4 DRAWERS



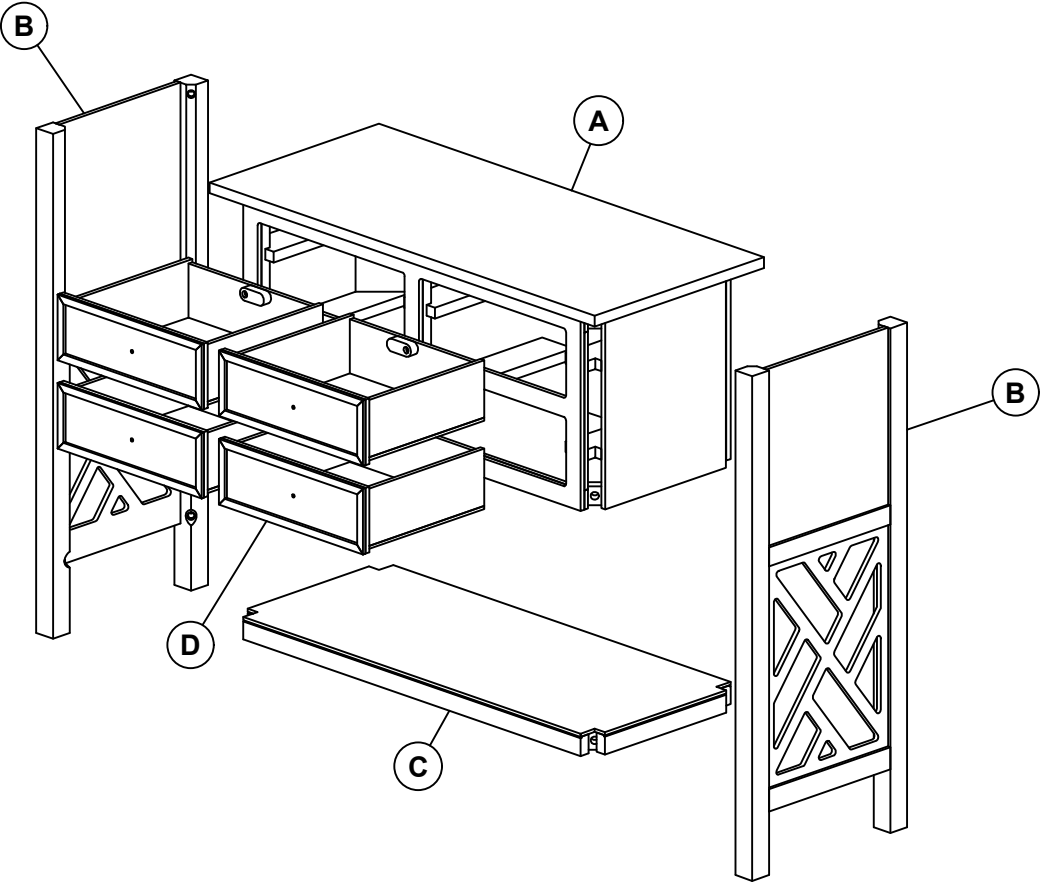
. Use of power tool to assemble this product will invalidate any claim and damage this product making it unsafe !!!  
. Please assemble on a clean soft surface to avoid damage.




### Tools Required

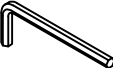



# Part list - Console Table



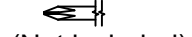
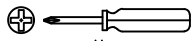
Identifying the hardware-Identify the hardware using the illustrations below

**E**  **12**  
**M6x45MM BOLT**

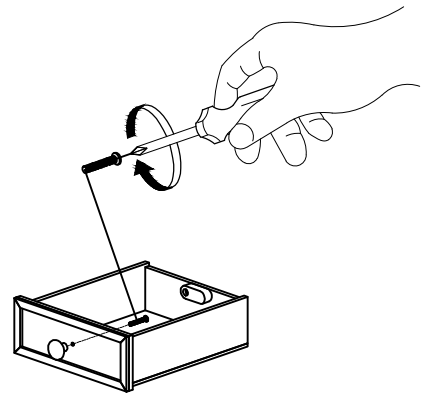
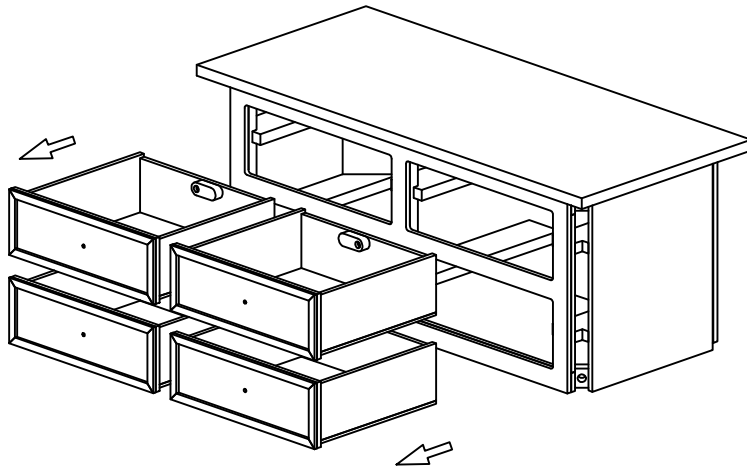
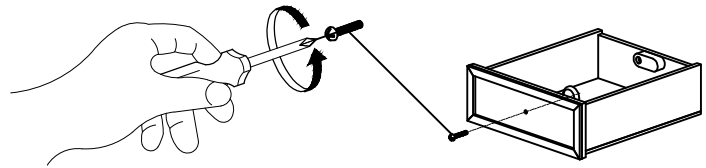
**F**  **01**

**G**  **01**  
**ANTI-TIP**

## Step 01



(Not included)



## Step 02

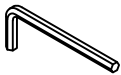
E



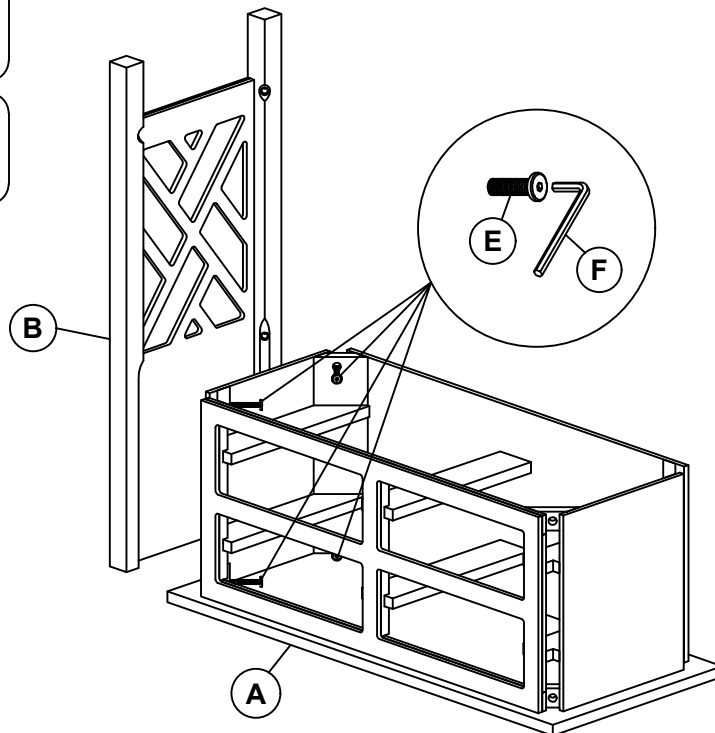
M6x45MM BOLT

08

F



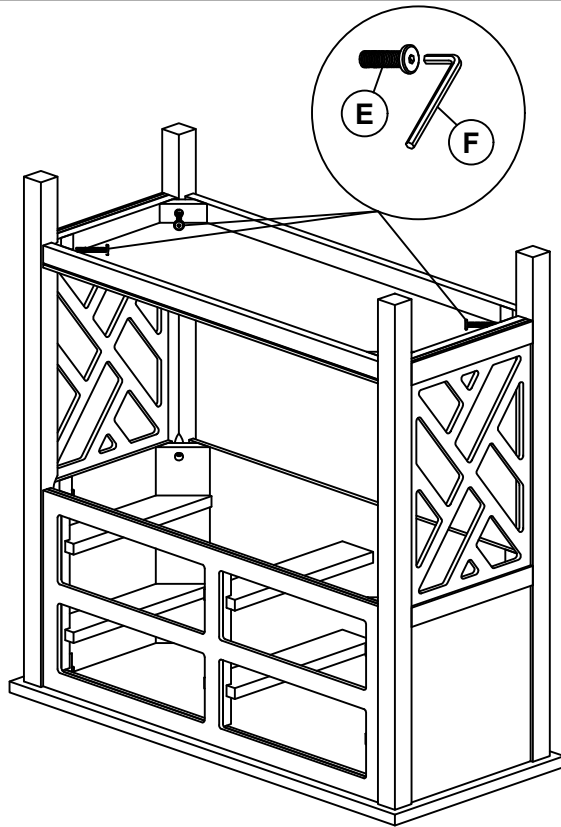
01



### Step 03

**E**  **04**  
M6x45MM BOLT

**F**  **01**



### Step 04

