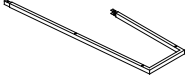

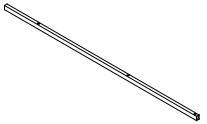
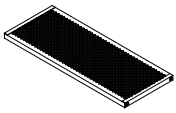
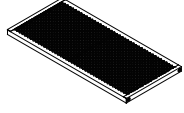
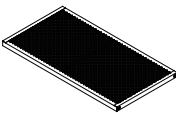
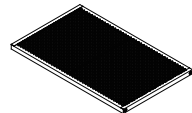

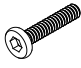
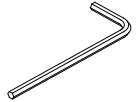


# INSTALLATION

## Carbon Steel Microwave Oven Shelf

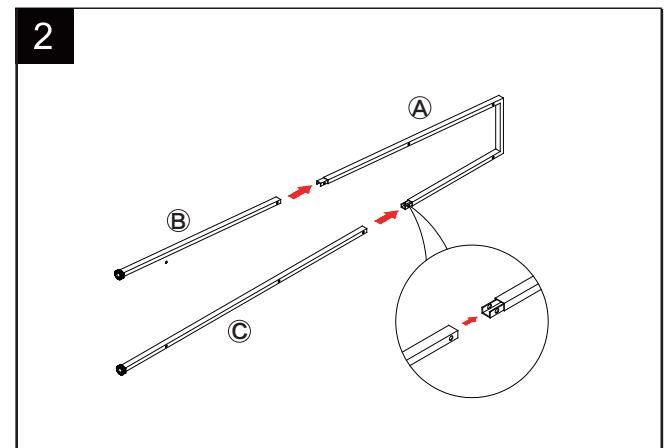
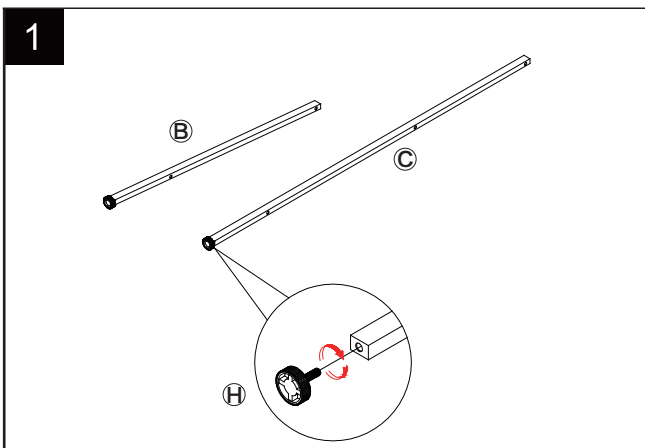
### Parts list

<b>A</b> bracket x2 	<b>B</b> front bottom tube x2 	<b>C</b> back bottom tube x2 	<b>D</b> shelf 1 x1 	<b>E</b> shelf 2 x1 
<b>F</b> shelf 3 x1 	<b>G</b> shelf 4 x1 	<b>H</b> leveling foot x4 	<b>I</b> point screw x16 	<b>J</b> wrench x1 

### ASSEMBLY INSTRUCTIONS

1. Install the wheels to the bottom tubes.

2. Put the bracket onto the tubes.



3. Put on the shelf with screws (Remark: plz do not tight up the screws in this step).

4. Stand the rack and keep it balanced, then tighten the screws.

