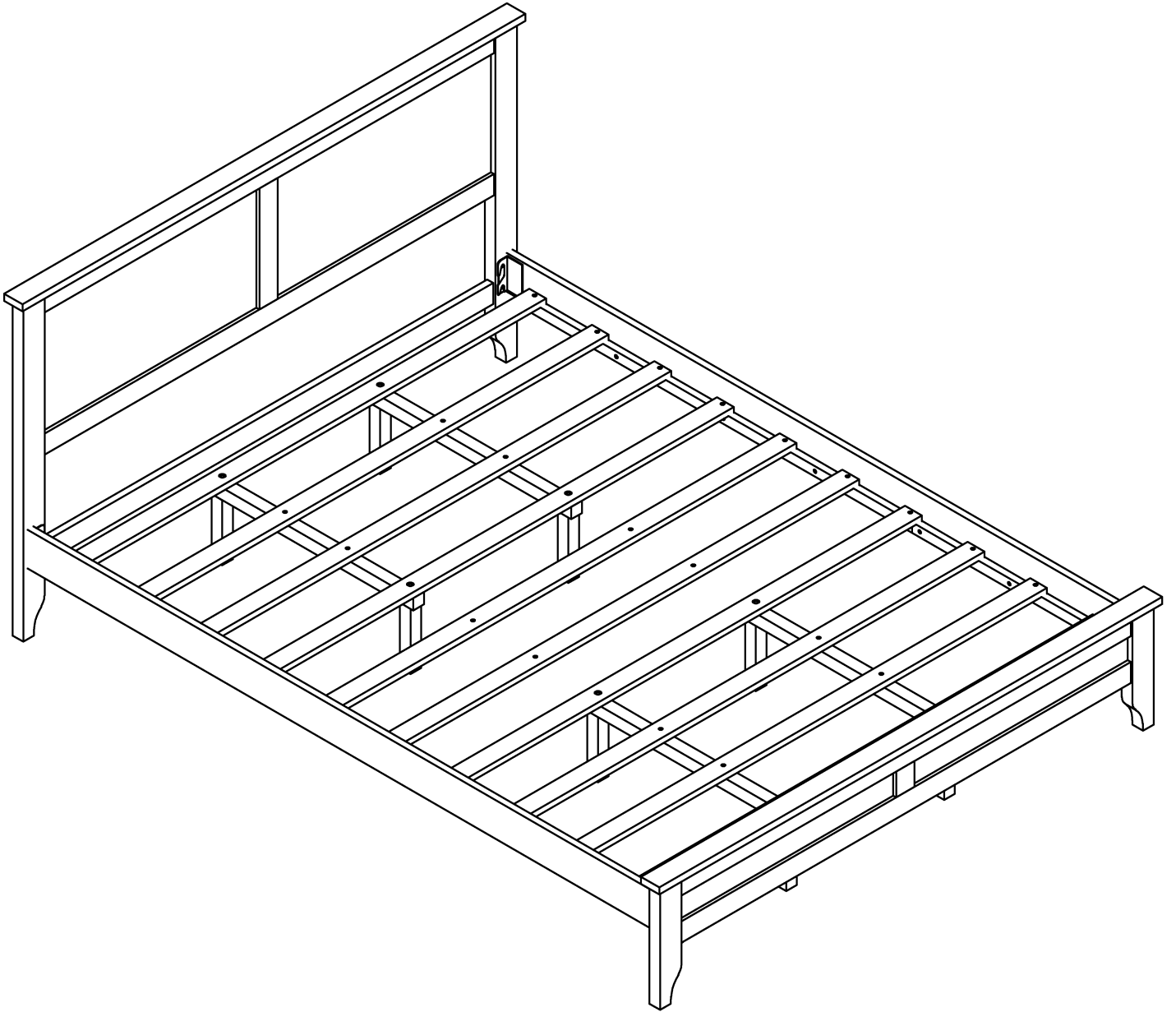
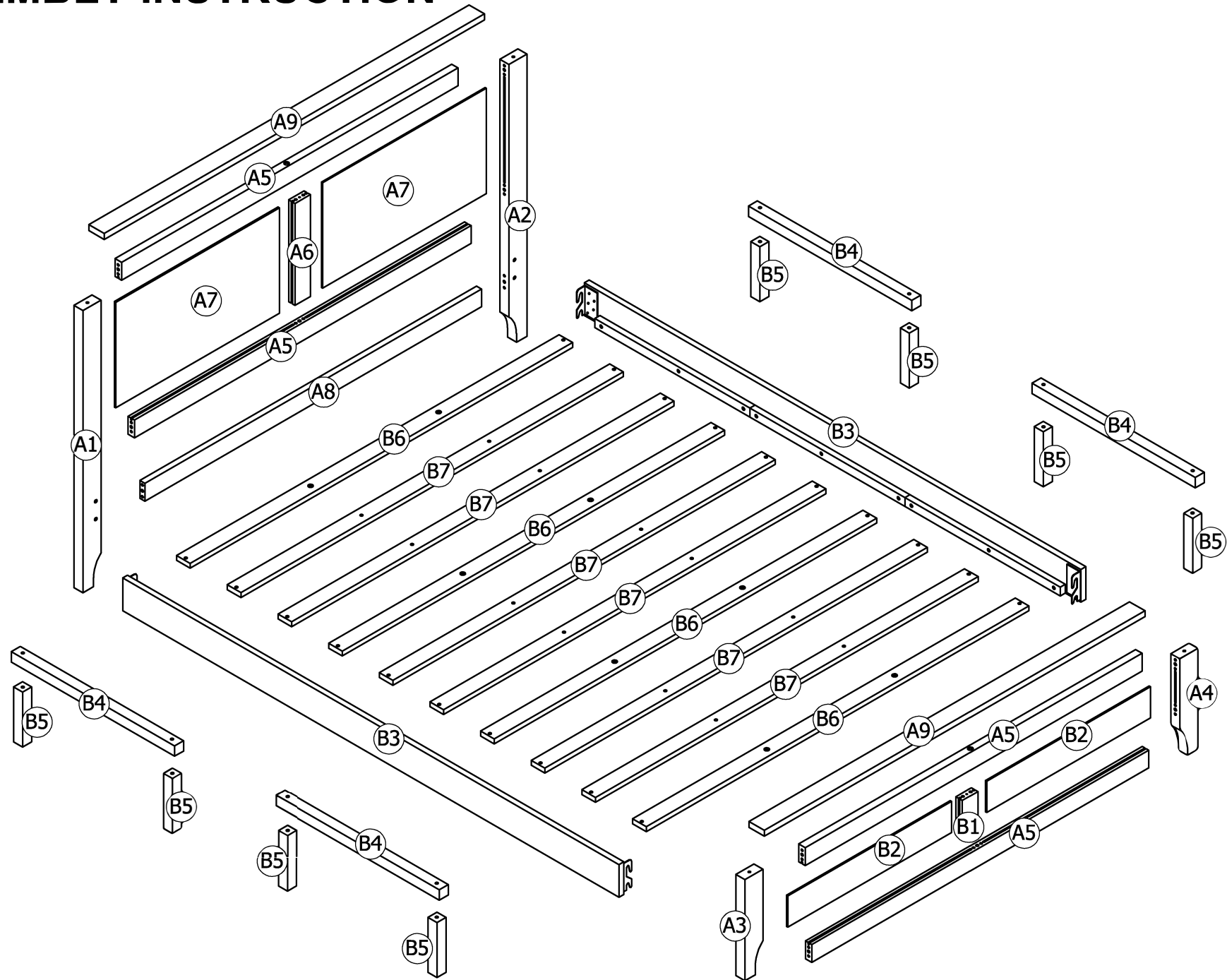




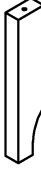



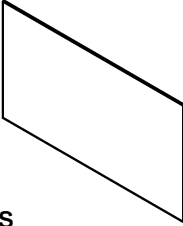
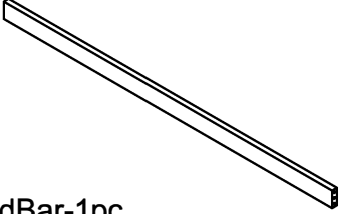
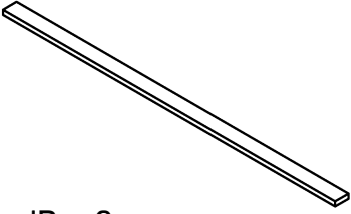
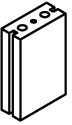
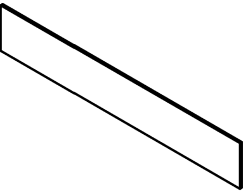
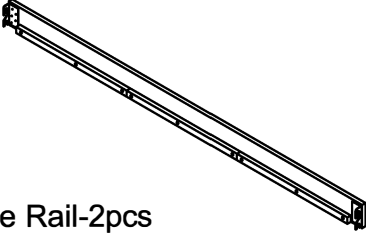
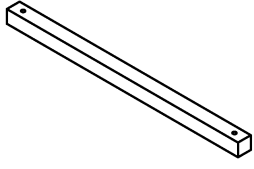
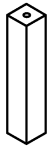
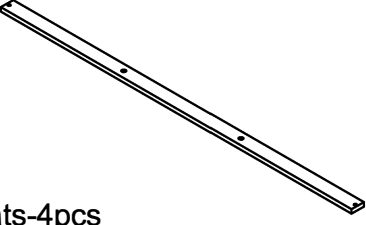
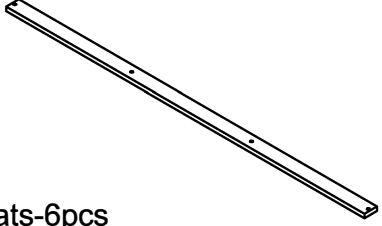
ASSEMBLY INSTRUCTION



ASSEMBLY INSTRUCTION

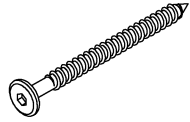


Part List & Hardware List

<p>A1</p>  <p>Leg-1pc</p>	<p>A2</p>  <p>Leg-1pc</p>	<p>A3</p>  <p>Leg-1pc</p>
<p>A4</p>  <p>Leg-1pc</p>	<p>A5</p>  <p>WoodBar-4pcs</p>	<p>A6</p>  <p>WoodBar-1pc</p>
<p>A7</p>  <p>Panel-2pcs</p>	<p>A8</p>  <p>WoodBar-1pc</p>	<p>A9</p>  <p>WoodBar-2pcs</p>
<p>B1</p>  <p>WoodBar-1pc</p>	<p>B2</p>  <p>Panel-2pcs</p>	<p>B3</p>  <p>Side Rail-2pcs</p>
<p>B4</p>  <p>WoodBar-4pcs</p>	<p>B5</p>  <p>WoodBar-8pcs</p>	<p>B6</p>  <p>Slats-4pcs</p>
<p>B7</p>  <p>Slats-6pcs</p>		

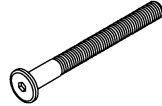
Hardware List

1



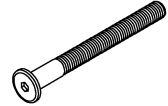
Screws 1/4" x80
4pcs

2



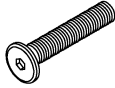
Ø1/4" x 50 mm
Hex-Head bolts 10pcs

3



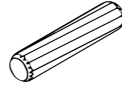
Ø1/4" x 70 mm
Hex-Head bolts 8pcs

4



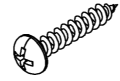
Ø1/4" x 20 mm
Hex-Head bolts 8pcs

5



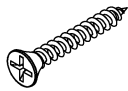
Ø8 x 30 mm
Wood dowel 32pcs

6



M3.5 x 15 mm
Wood Screws 32pcs

7



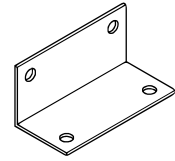
M4 x 30 mm
Wood Screws 28pcs

8



Curved washer 10pcs

9



Angle Metal 8pcs

10



Allen Key 1pc



Assembly Tools Required (Not Included)

STEP1: Following below illustration.

5

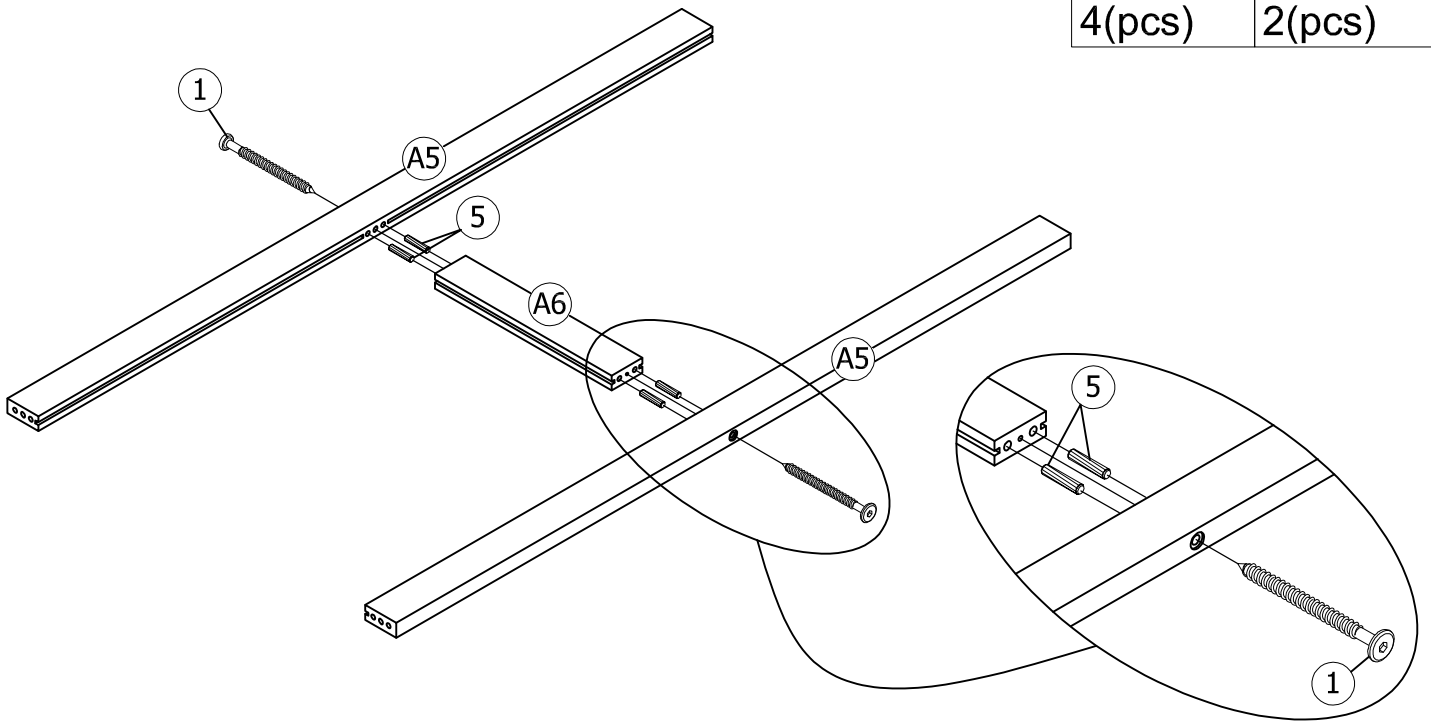


4(pcs)

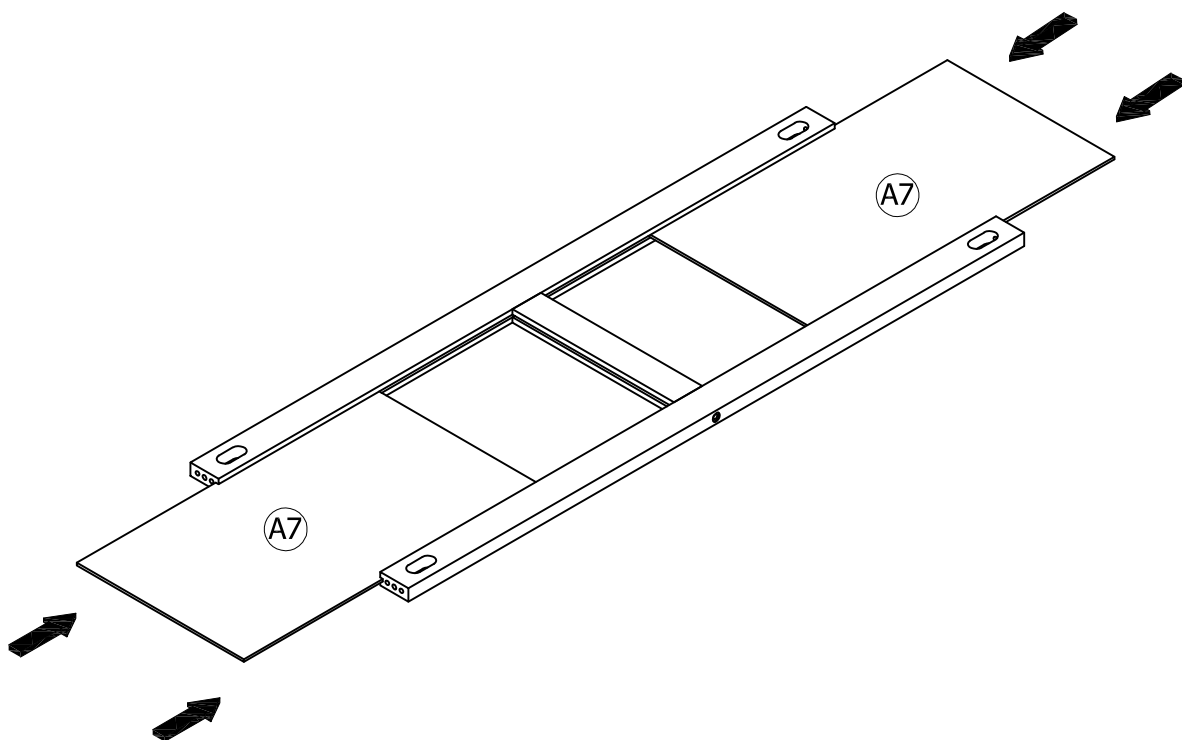
1



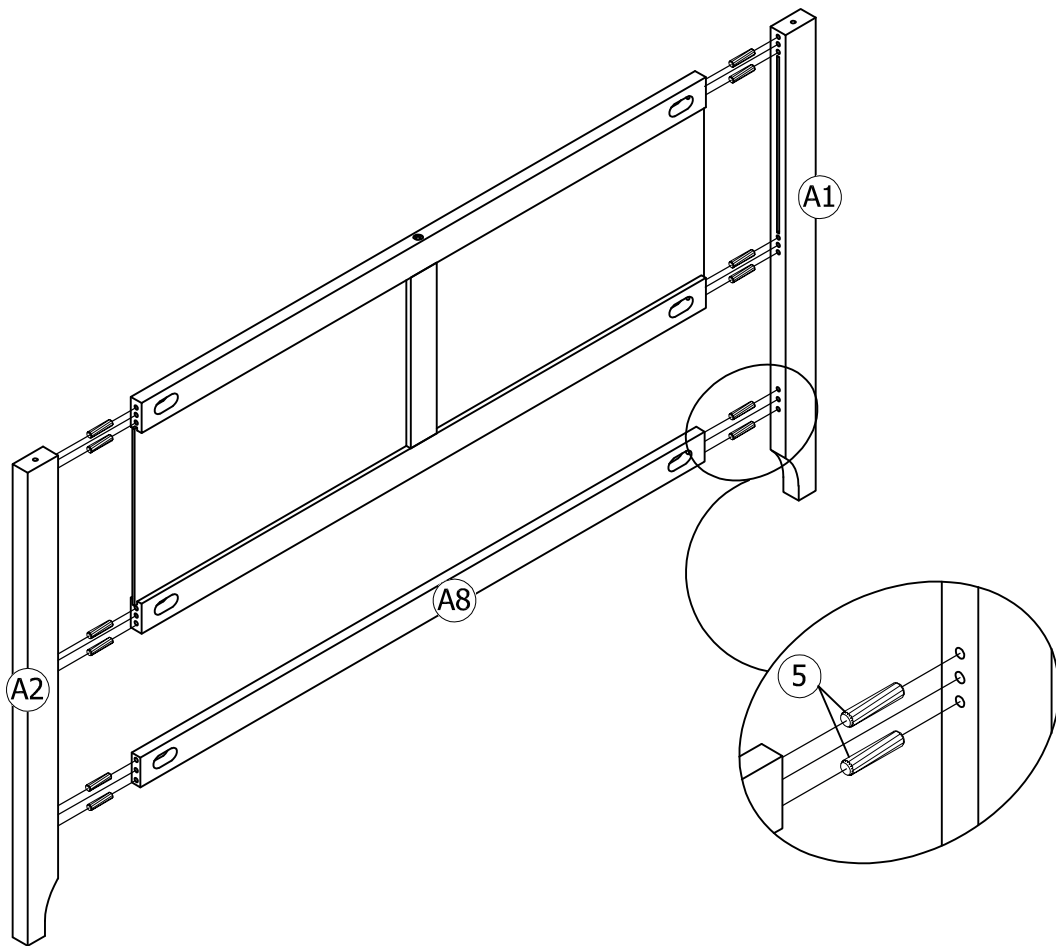
2(pcs)



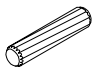
STEP2: Following below illustration.



STEP3: Following below illustration.

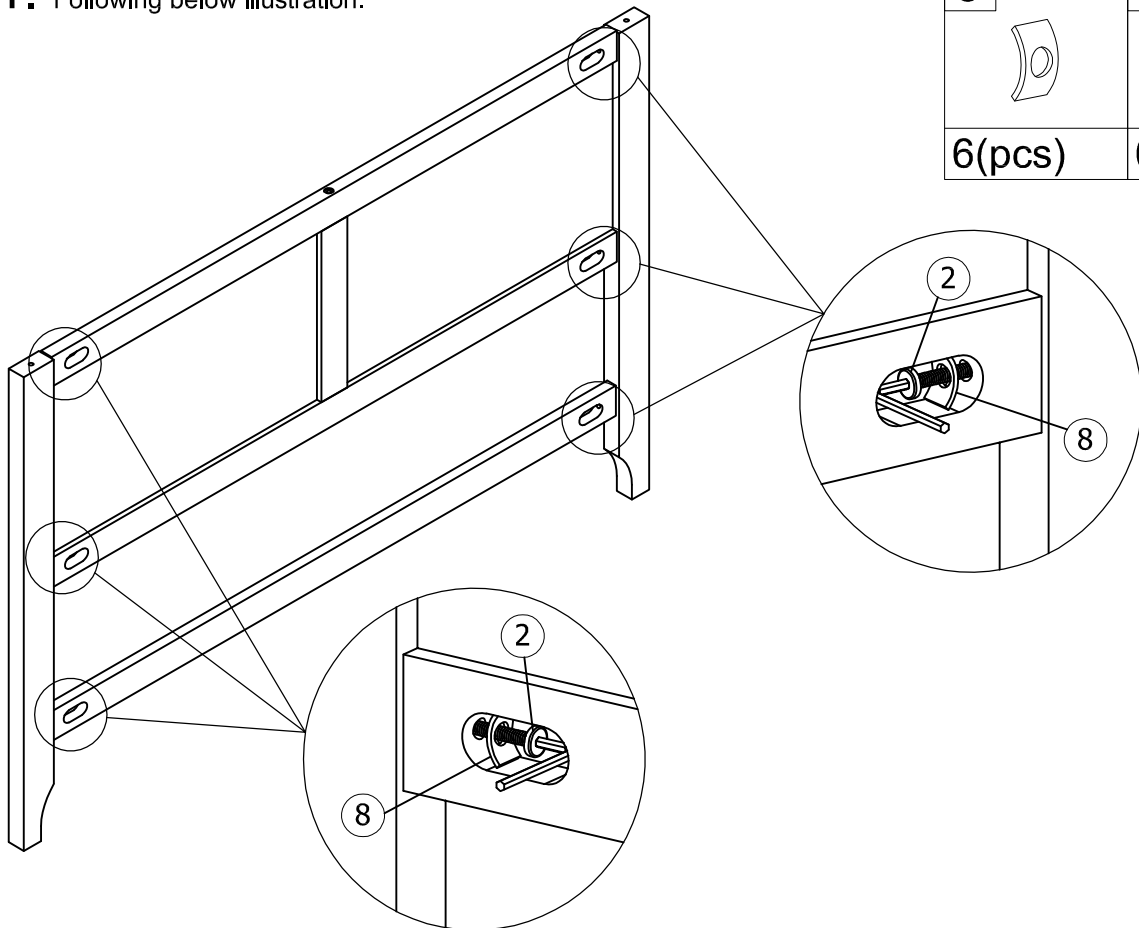


5



12(pcs)

STEP4: Following below illustration.



8



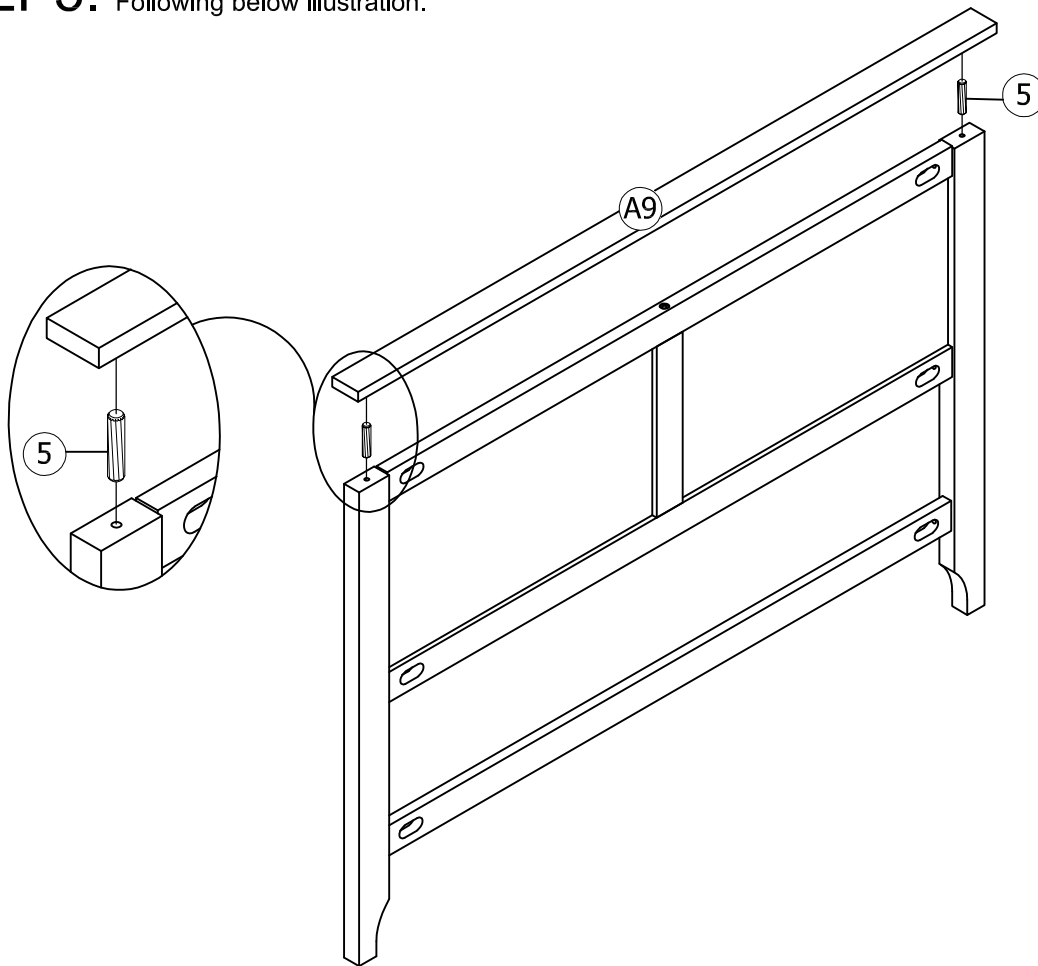
6(pcs)

2

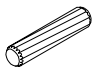


6(pcs)

STEP5: Following below illustration.

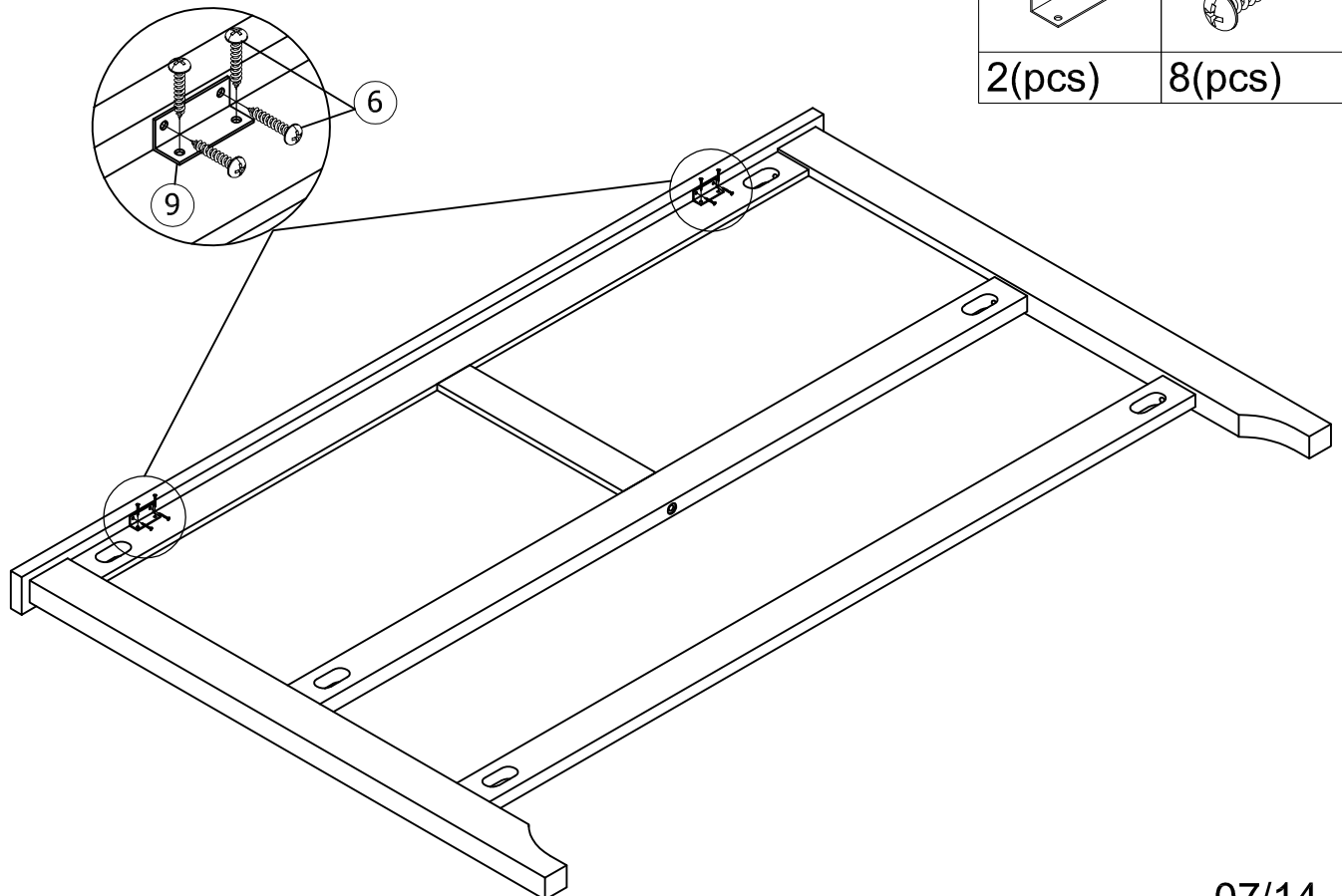


5



2(pcs)

STEP6: Following below illustration.

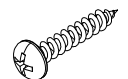


9



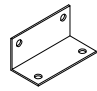
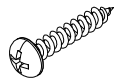
2(pcs)

6

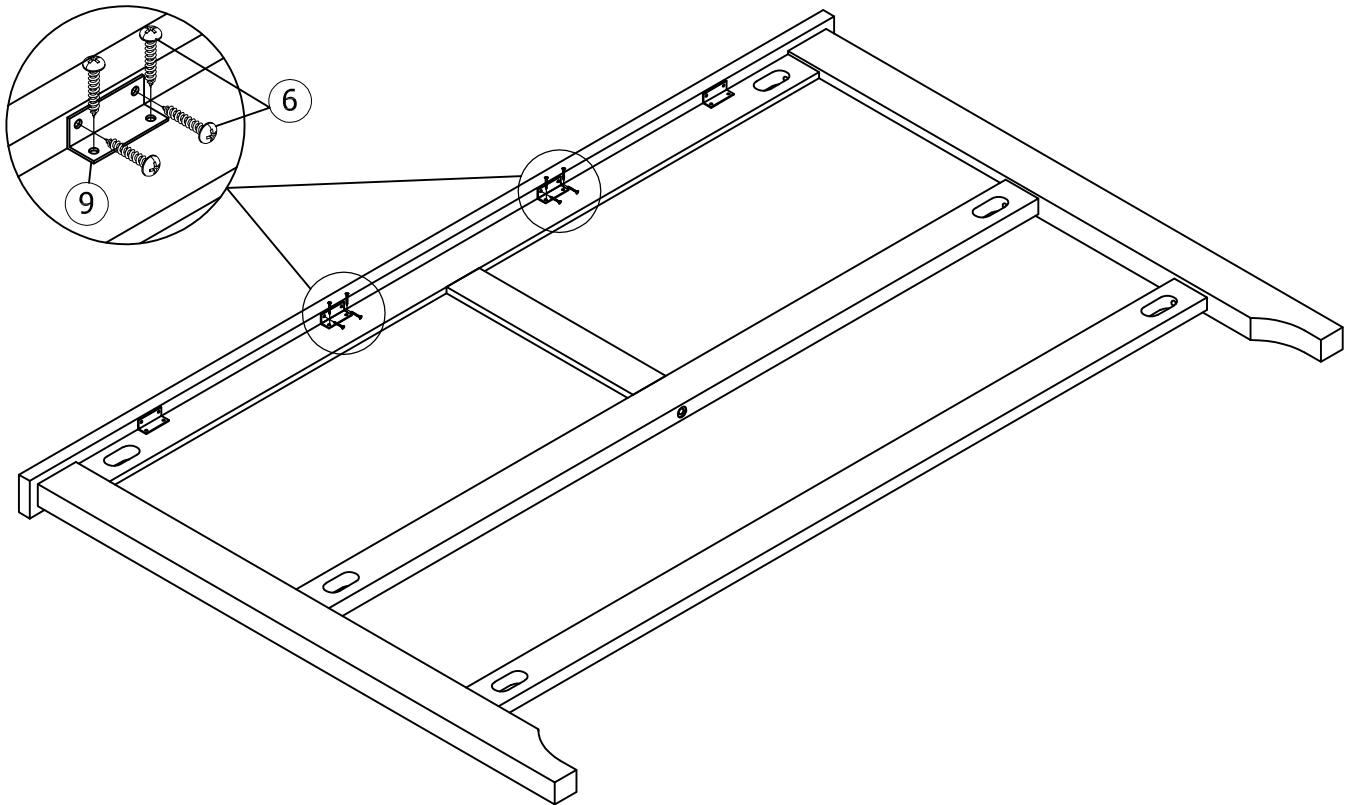


8(pcs)

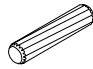

STEP7: Following below illustration.

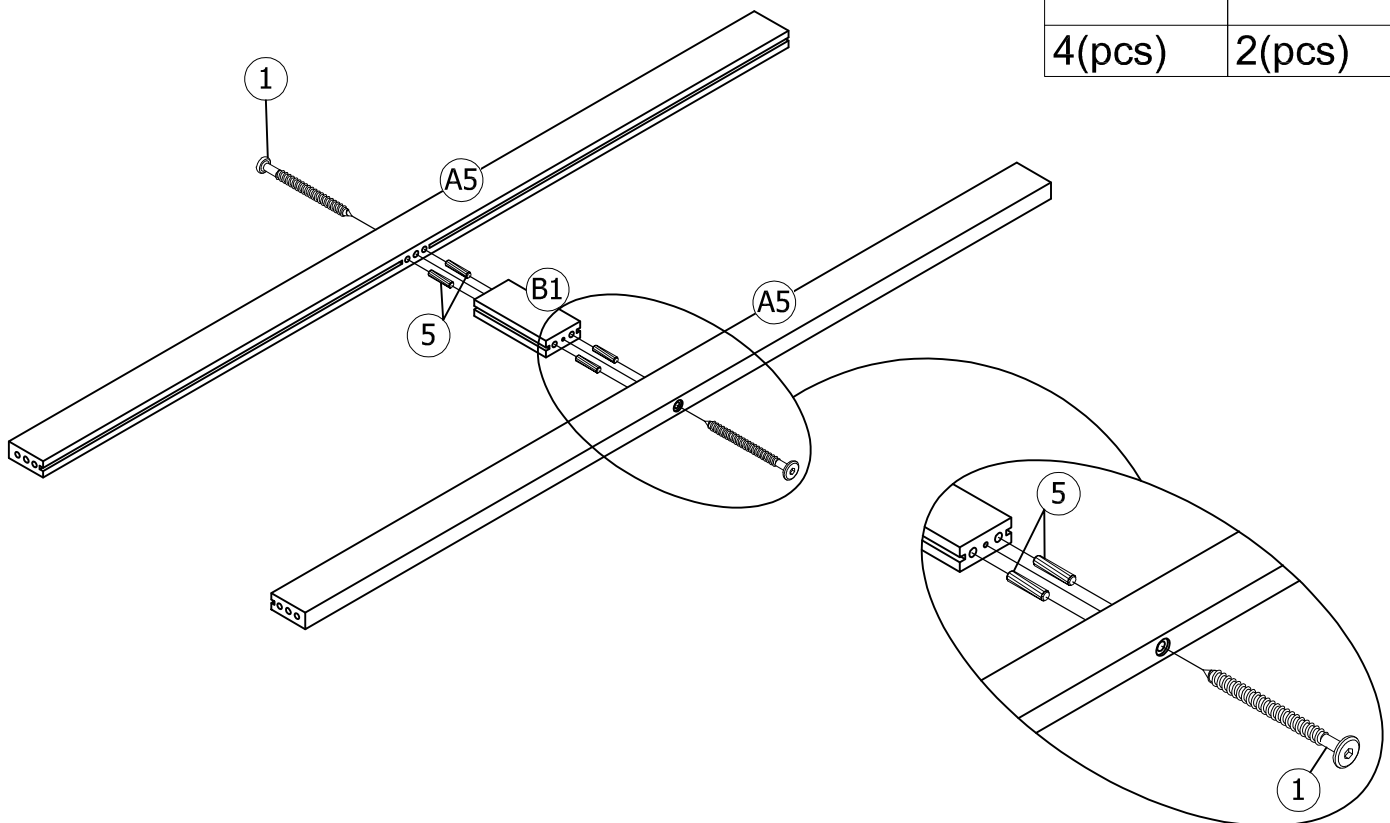
9	6
	
2(pcs)	8(pcs)

Please install at least two No. 9 parts in the footboard back, one on the left and one on the right. If you want more stability, you can install all four No. 9 parts

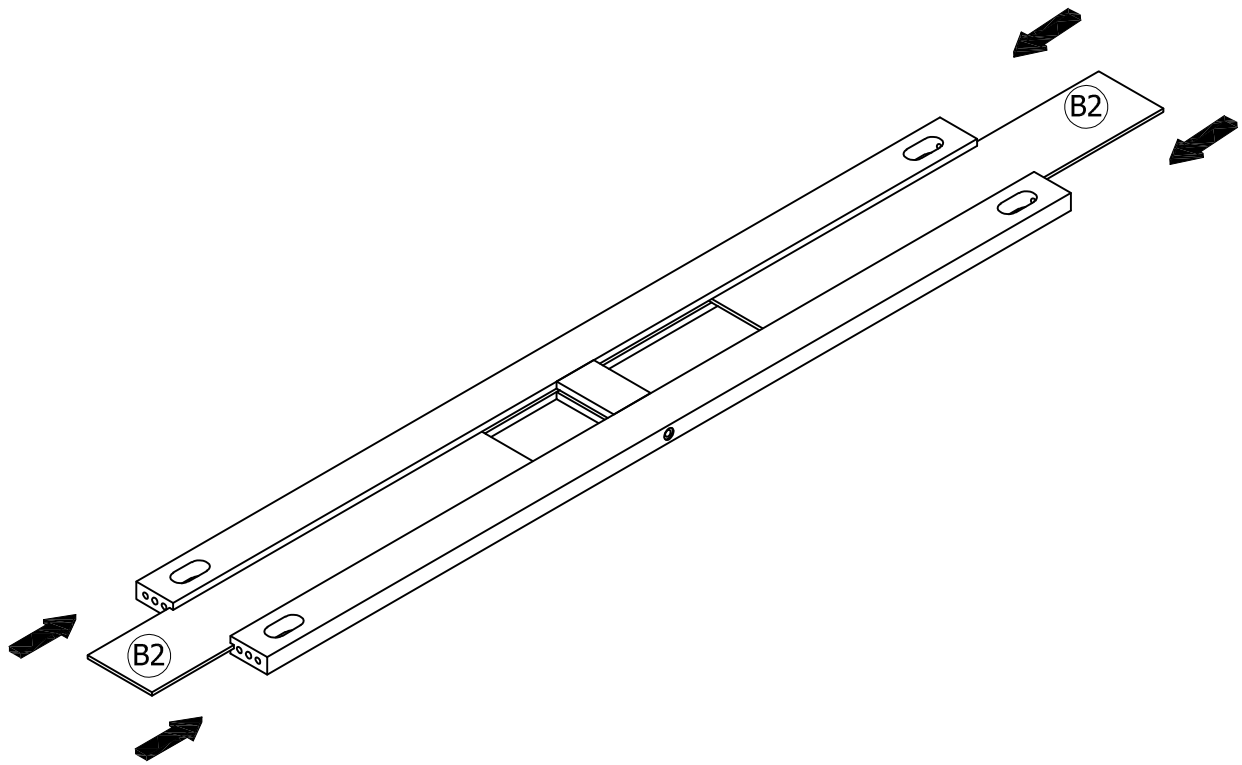


STEP8: Following below illustration.

5	1
	
4(pcs)	2(pcs)

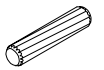


STEP9: Following below illustration.

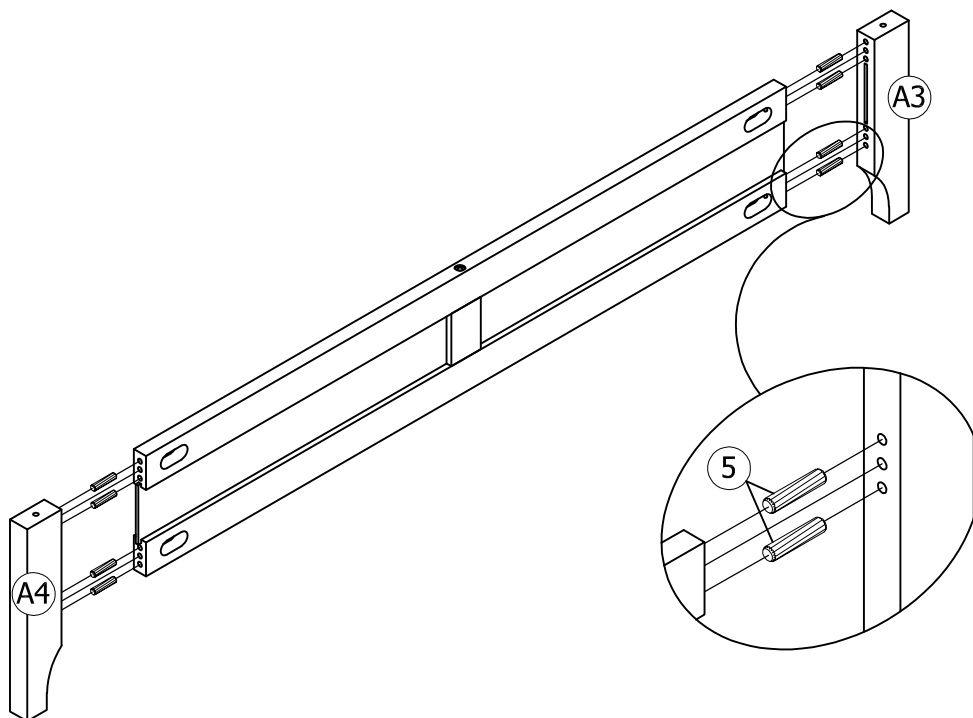


STEP10: Following below illustration.



5

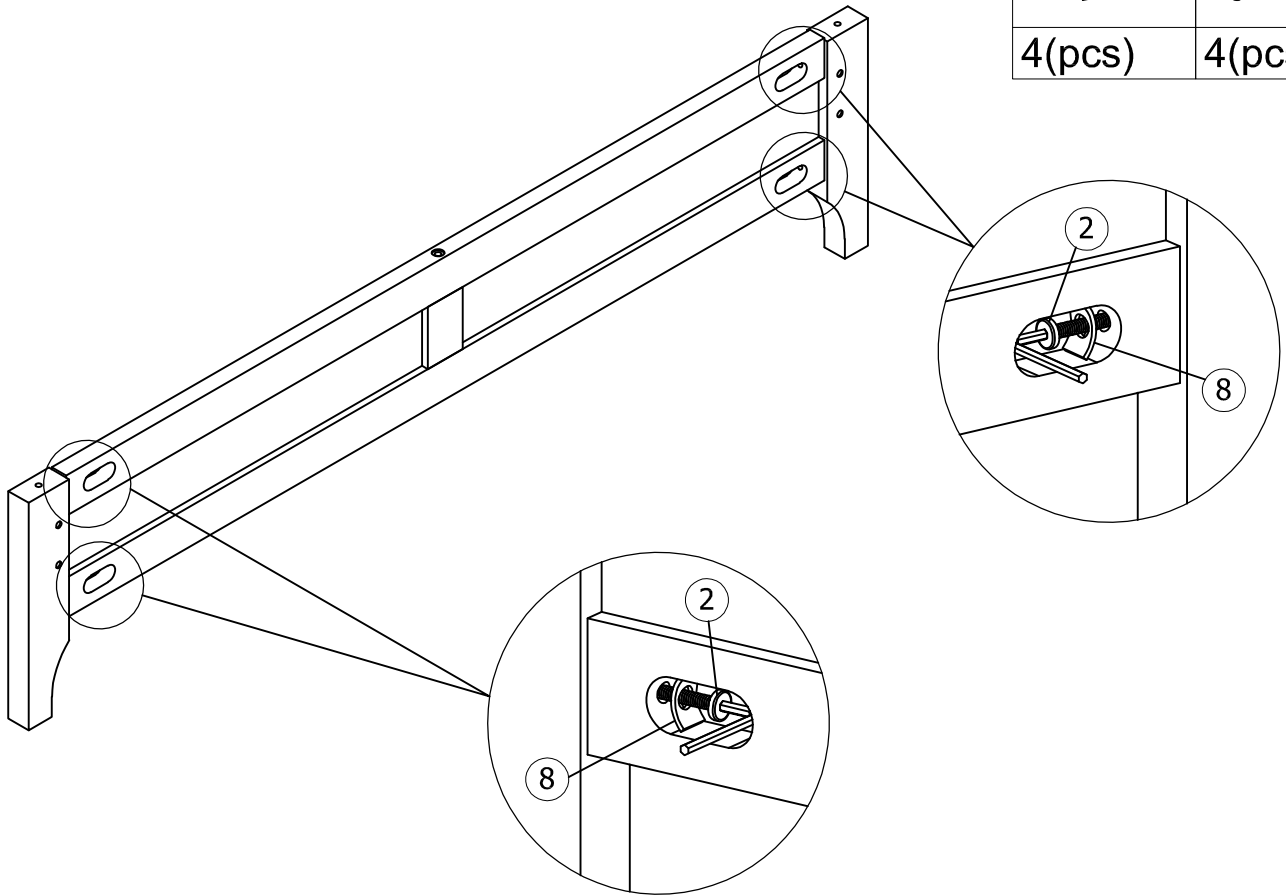


8(pcs)

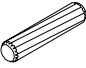


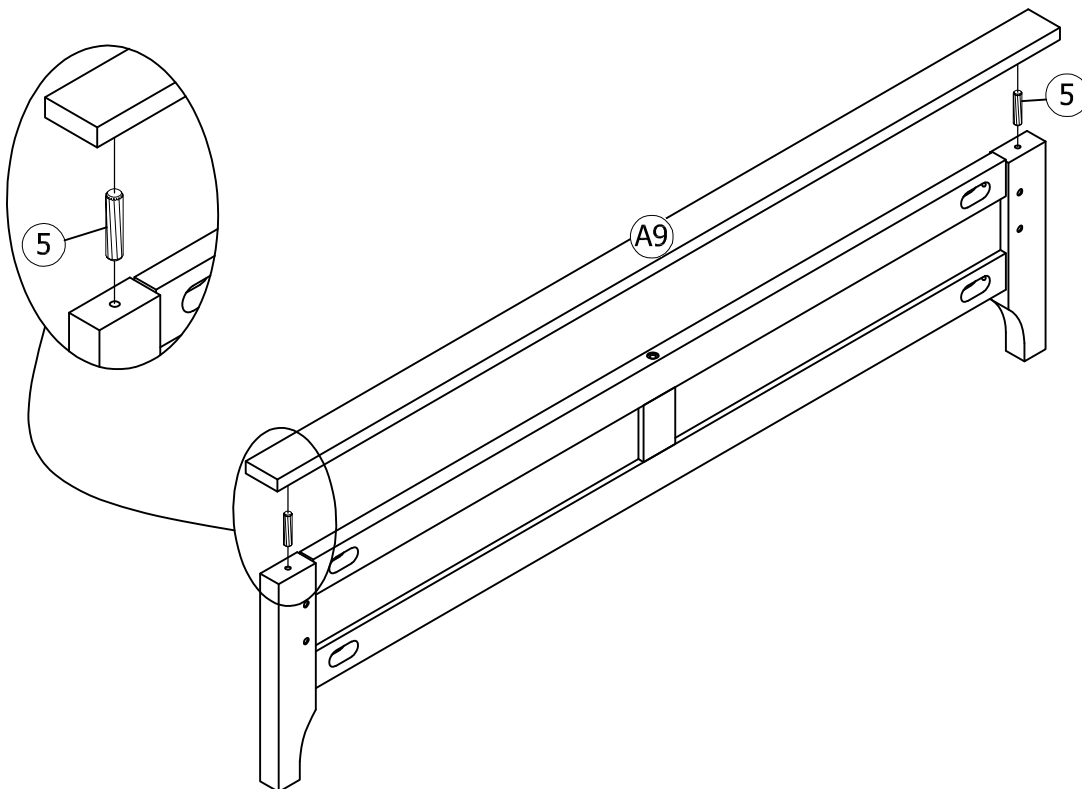
STEP11: Following below illustration.

8	2
	
4(pcs)	4(pcs)

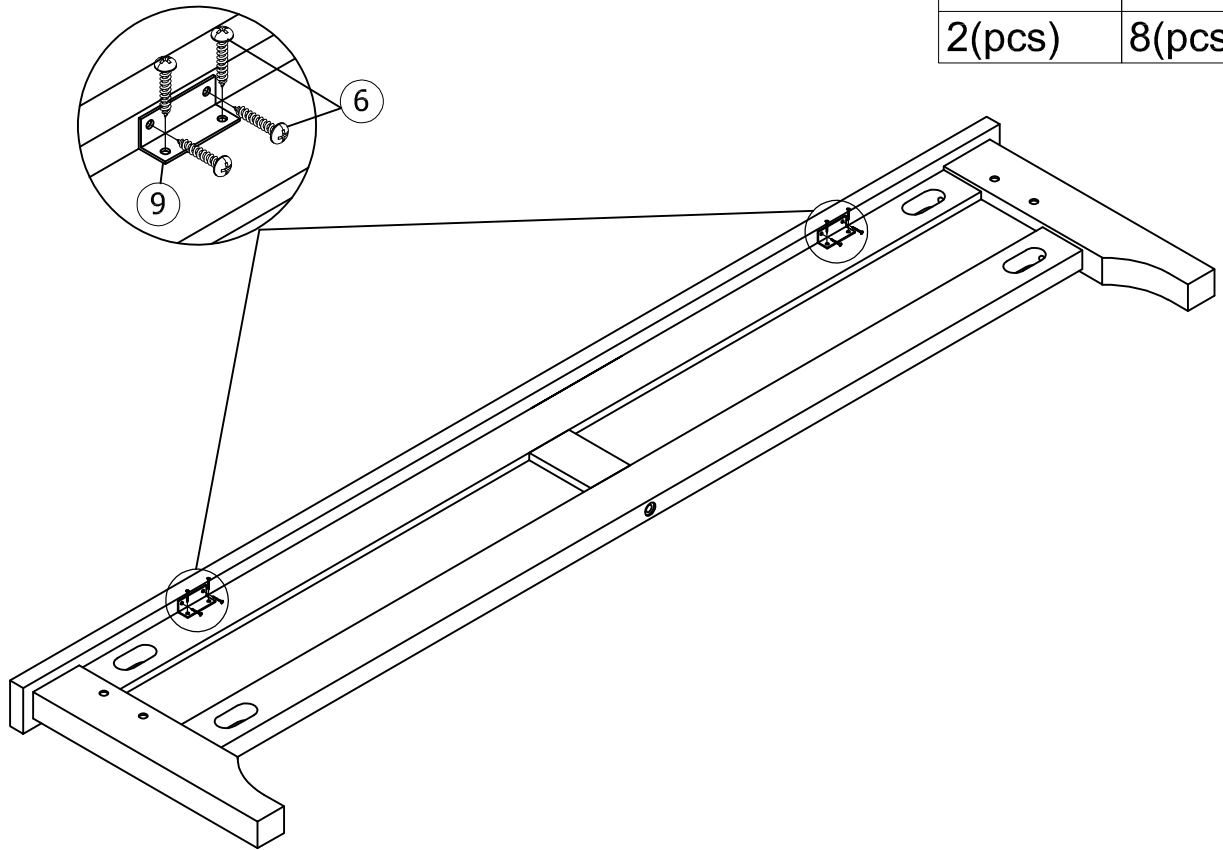


STEP12: Following below illustration.

5

2(pcs)



STEP13: Following below illustration.

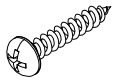


9



2(pcs)

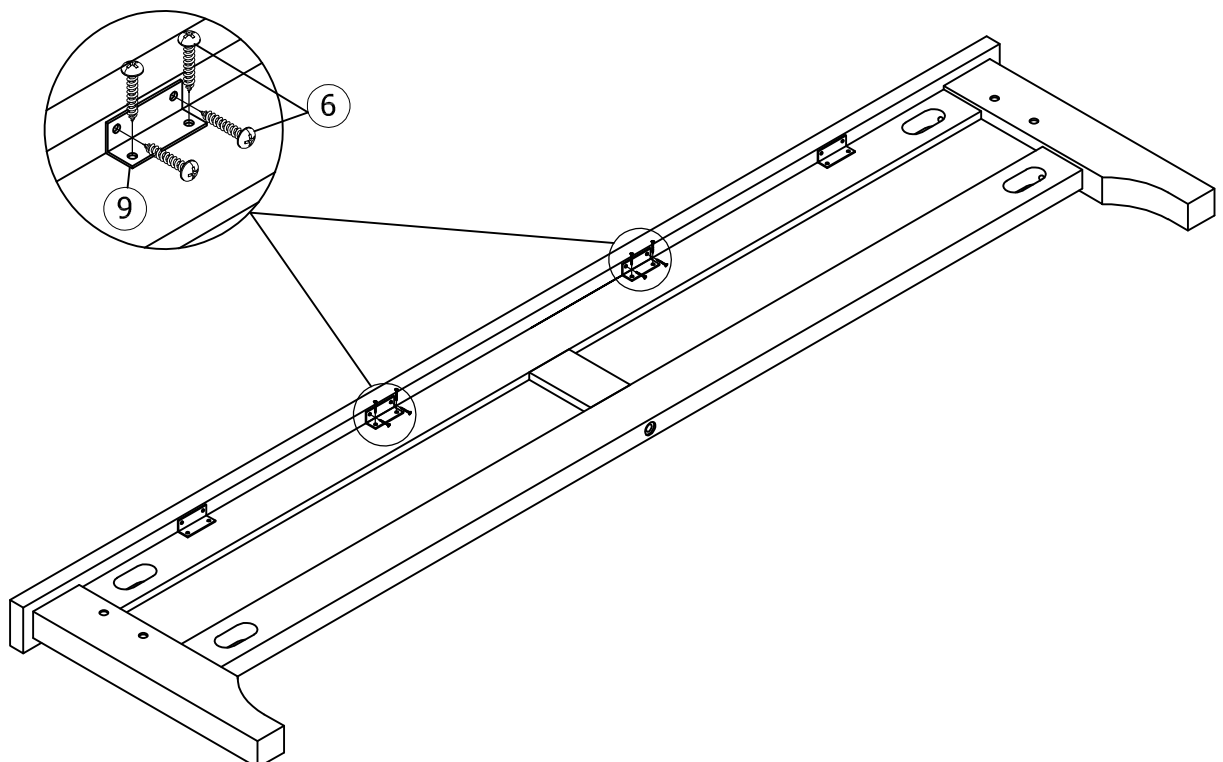
6



8(pcs)

STEP14: Following below illustration.

Please install at least two No. 9 parts in the footboard back, one on the left and one on the right. If you want more stability, you can install all four No. 9 parts

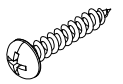


9



2(pcs)

6



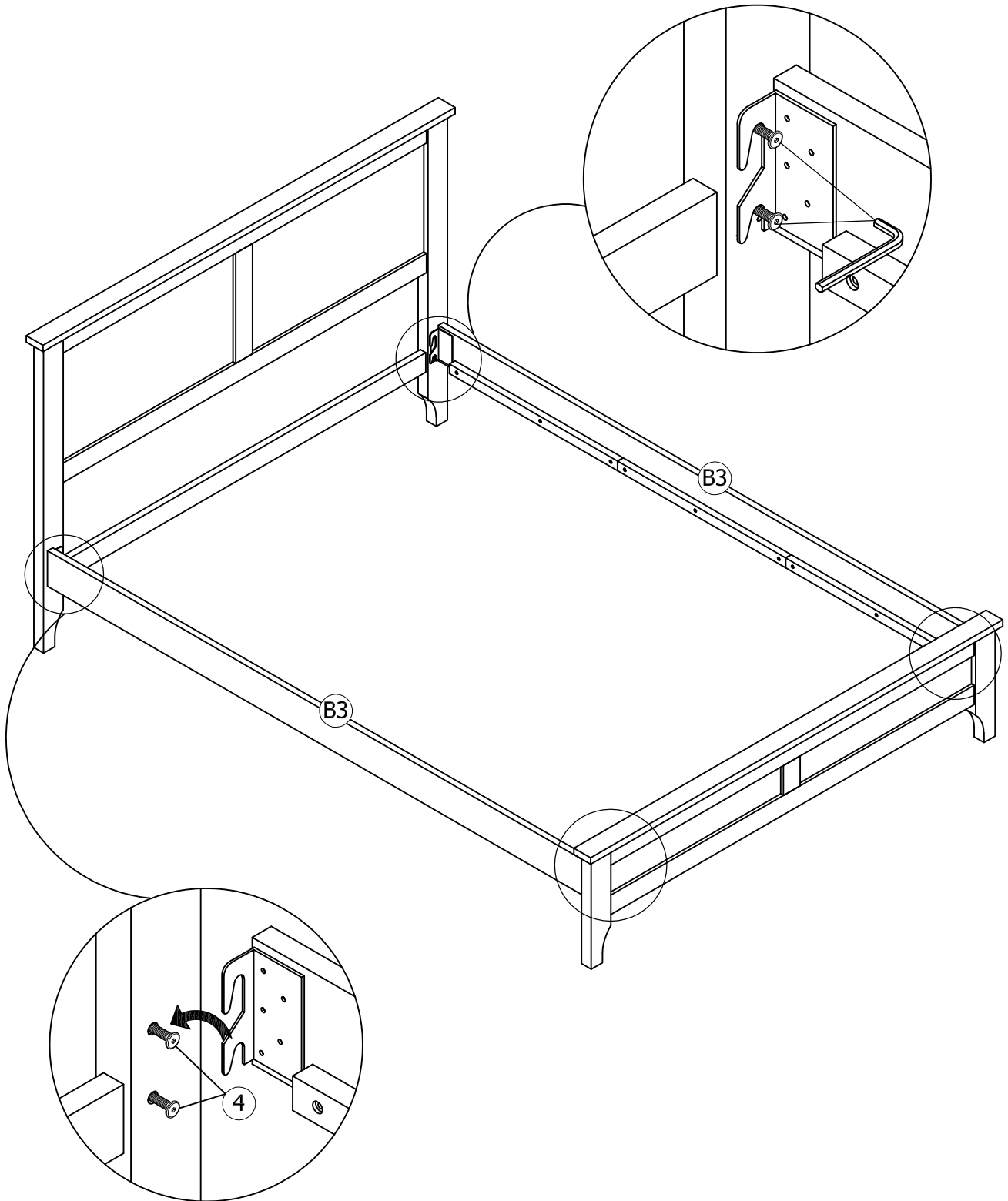
8(pcs)

STEP15: Following below illustration.

4




8(pcs)

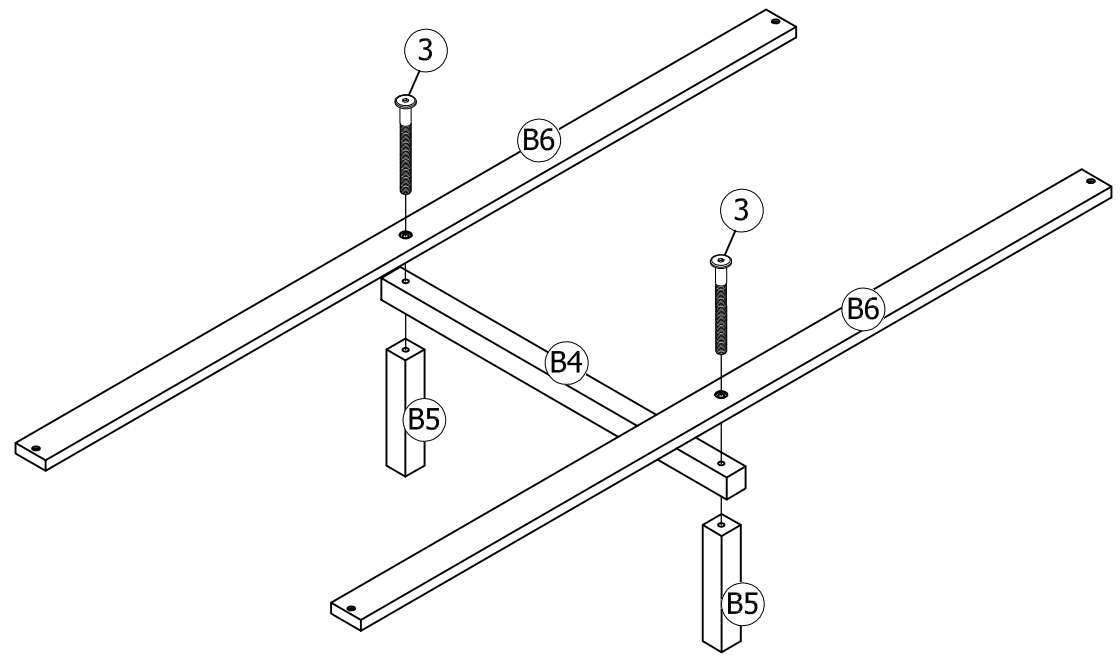


STEP16x4: Following below illustration.

3

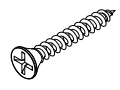


8(pcs)

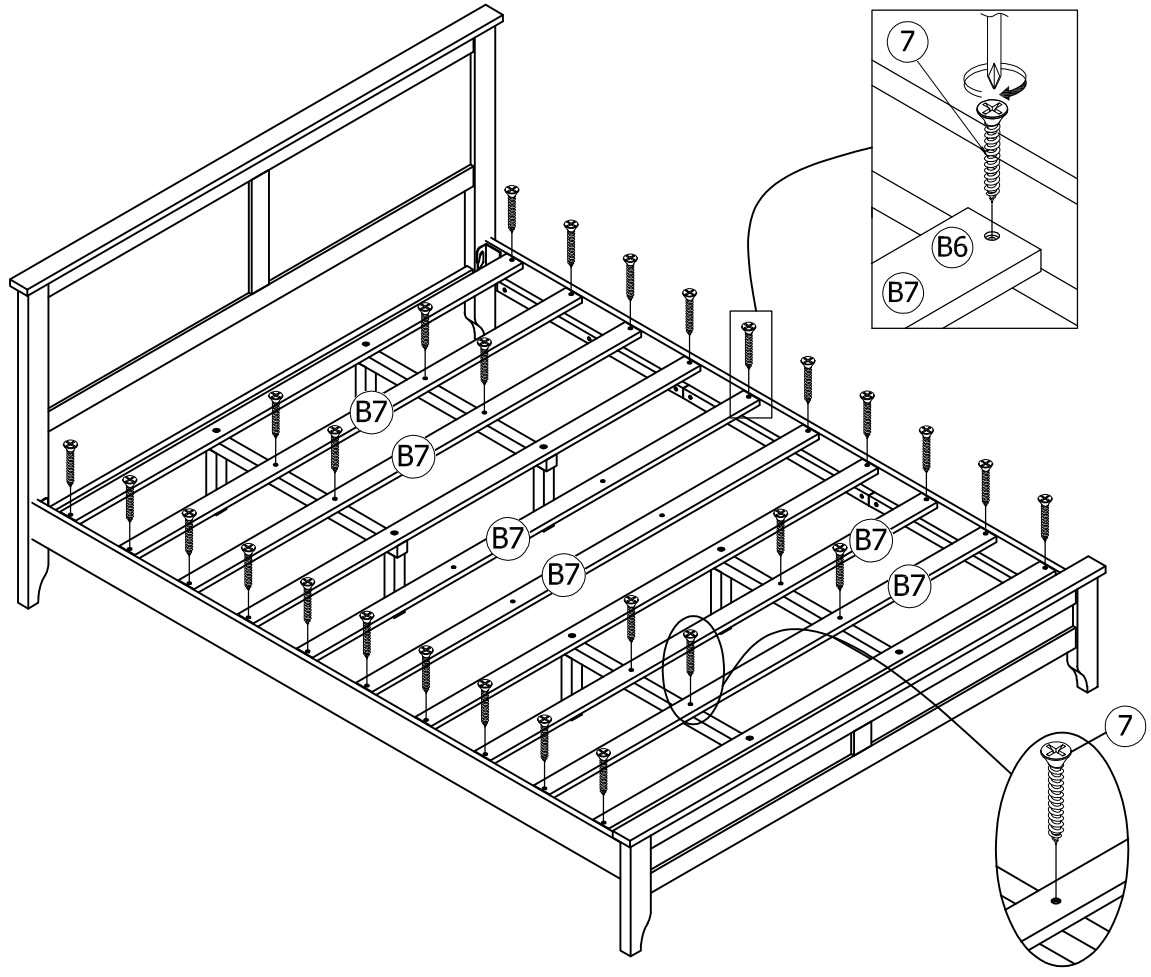


STEP17: Following below illustration.

7



28(pcs)



FINISH

