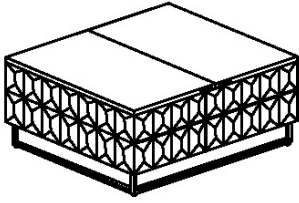
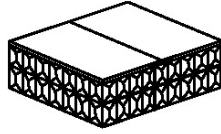


UPT-272536

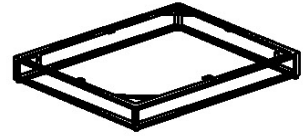


A



TOP - 1 QTY.

B



LEG - 2 QTY.

C



ALLEN BOLT-8 QTY.

D



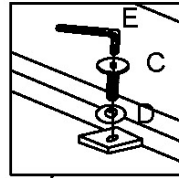
WASHER-8 QTY.

E

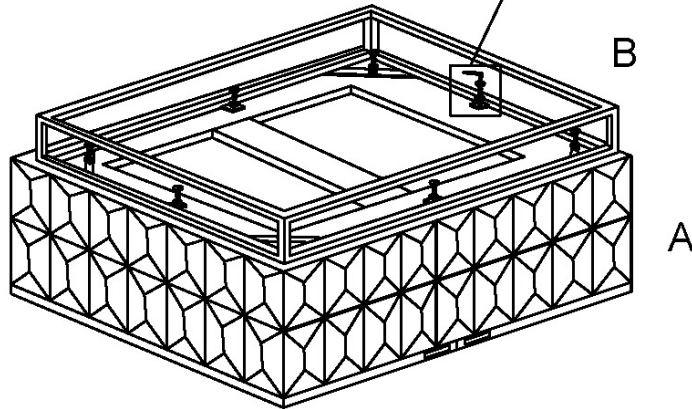


ALLEN KEY - 1 QTY.

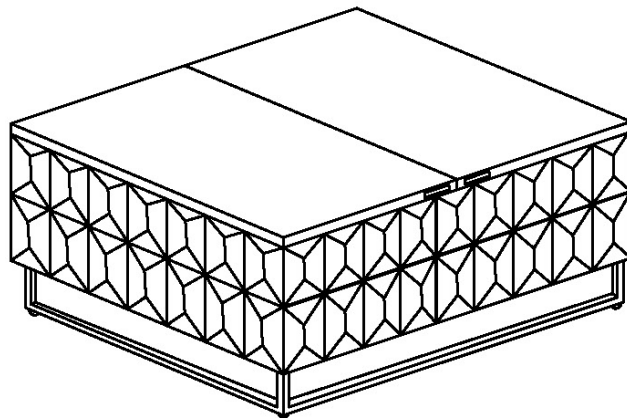
①



X8



②



FINAL PRODUCT