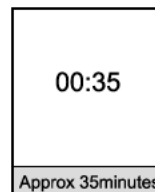
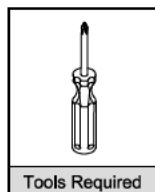
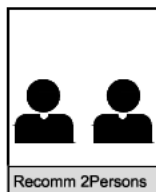
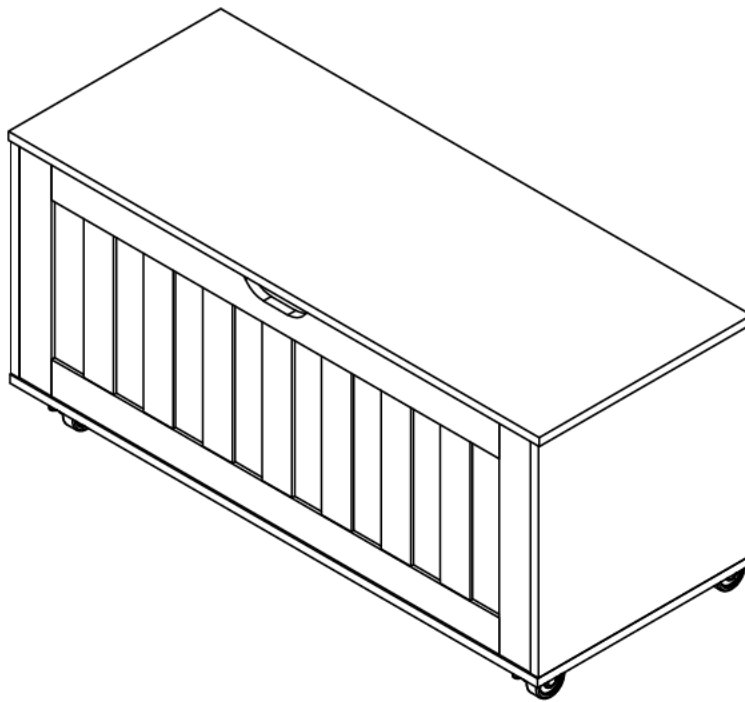


Assembly Instruction

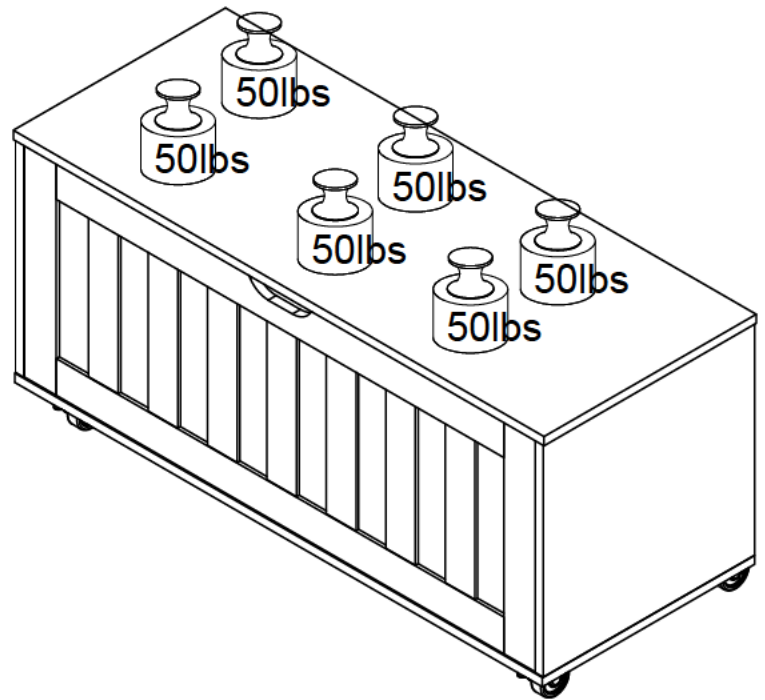
STORAGE BENCH



Recommended Maximum Weight



WARNING



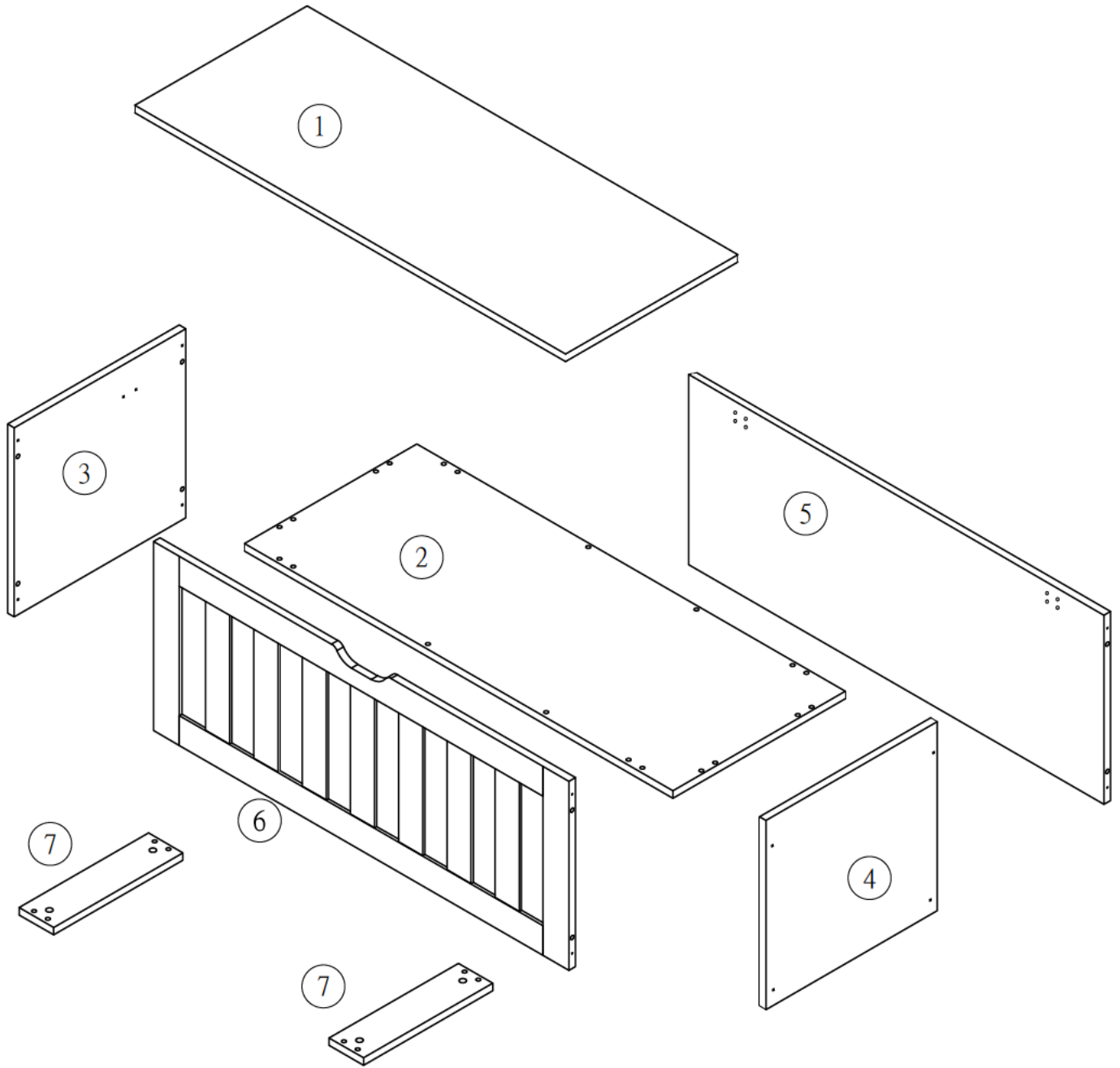
Read all instructions before using this product.

1. This unit has been designed to support the maximum loads shown. Exceeding these load limits could cause sagging, instability, product collapse, and/or serious injury.
2. Avoid sharp objects and corrosive chemicals to prevent damage to the product or bodily injury.
3. Not intended for use in humid environment to prevent mildew, such as bathrooms, laundry areas and similar indoor locations. Do not use outdoors.
4. Don't allow anybody stand or climb on the unit. Serious or fatal crushing injuries can occur from furniture tip over. To prevent tip over this furniture must be used with the wall attachment devices provided.





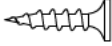

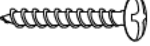





Useful Hints before you start:

1. Place soft packaging material on the floor to protect surface of product during assembly work.
2. It is important that each step is performed in correct order to avoid difficulties.
3. Align all screws with corresponding pre-drilled holes first and tighten.
4. Screws may become loose during long-term use, retighten them to ensure stability and security.
5. Using incompatible hardware might cause damage to product.

Parts Identification

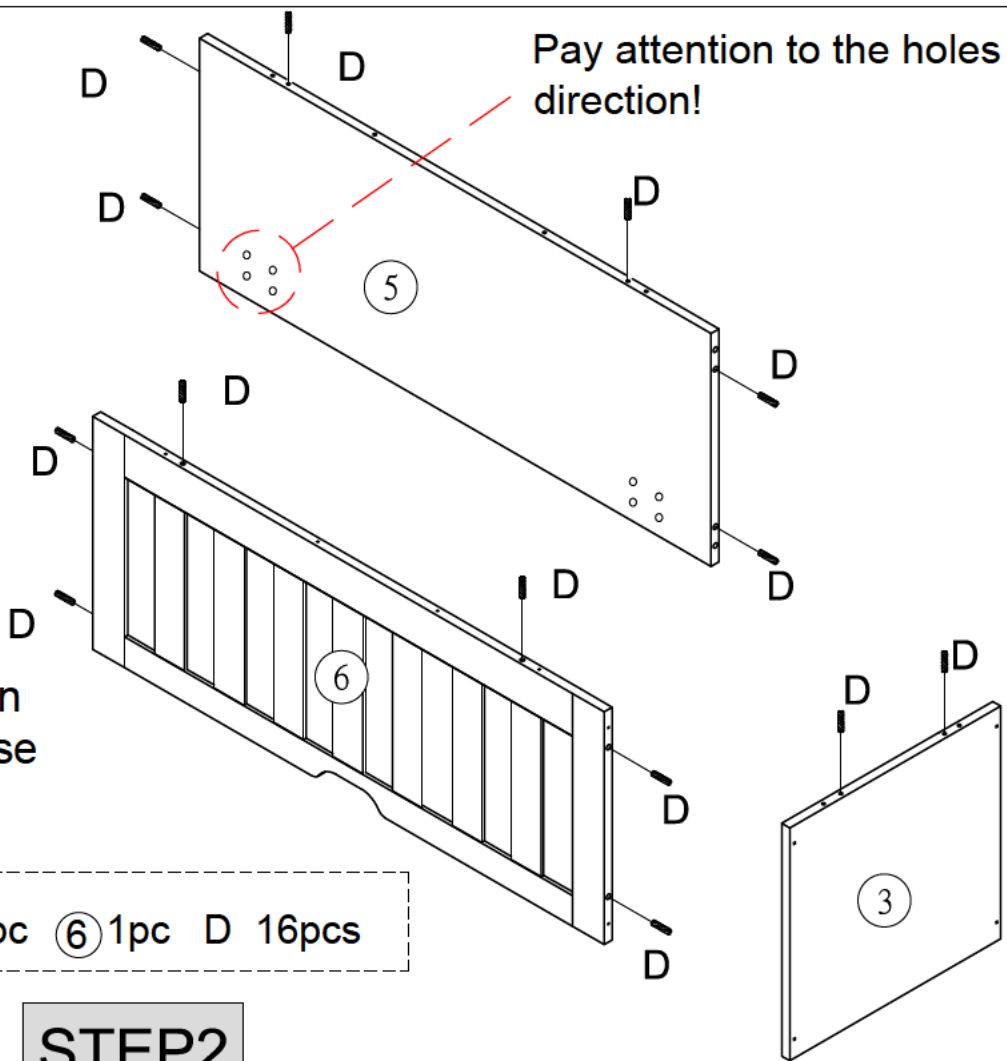
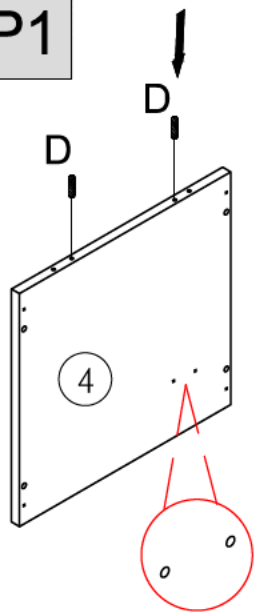


Hardware Identification

 Activity Caster A 2pcs	 Activity Caster with Brake B 2pcs	 Flat Head Screw C 20+2pcs	 Wood Dowel D 16+1pcs	 Philip's Head Screw E 24+2pcs	 Hinge F 2pcs
 Philip's Head Screw G 8+1pcs	 Crooked Hand H 1pc	 Crooked Hand I 1pc	 Spanner J 1pc	 Adhesive Pad K 4pcs	 Allen Wrench L 1pc

Extra hardware is enclosed for your convenience.

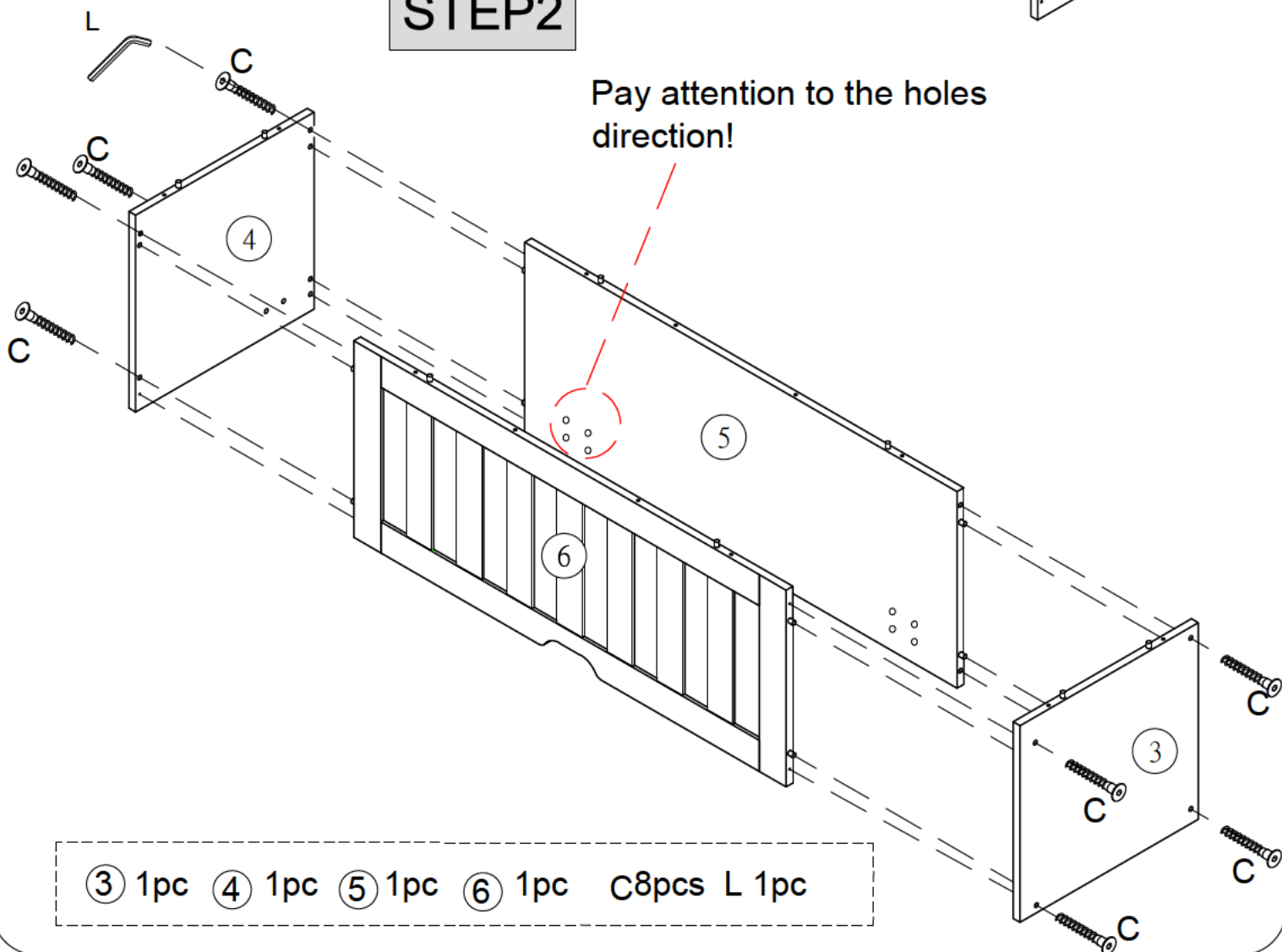
STEP1



If have any difficulty in inserting D, please use hammer to knock in.

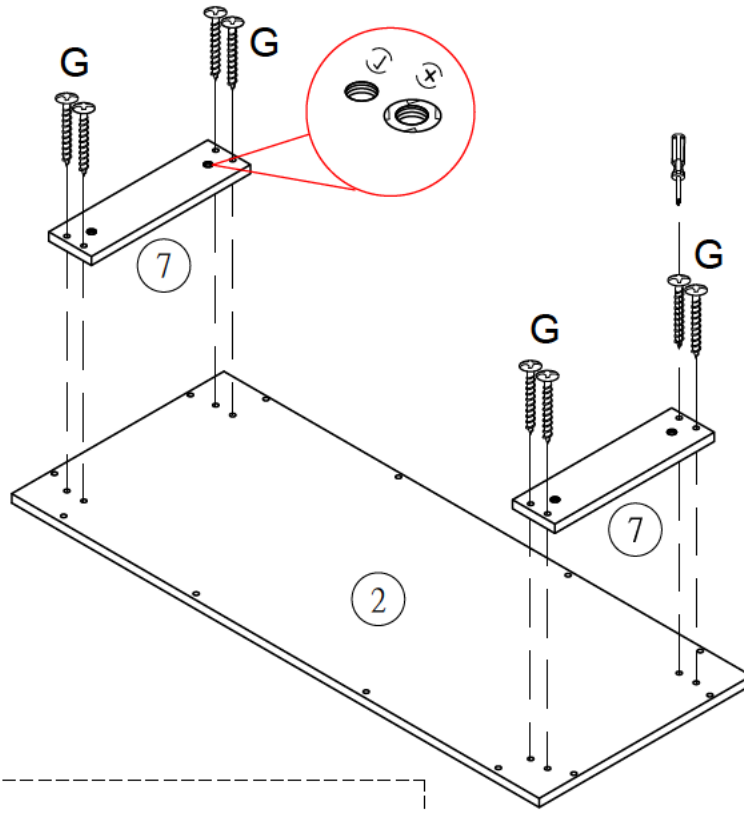
- ③ 1pc ④ 1pc ⑤ 1pc ⑥ 1pc D 16pcs

STEP2



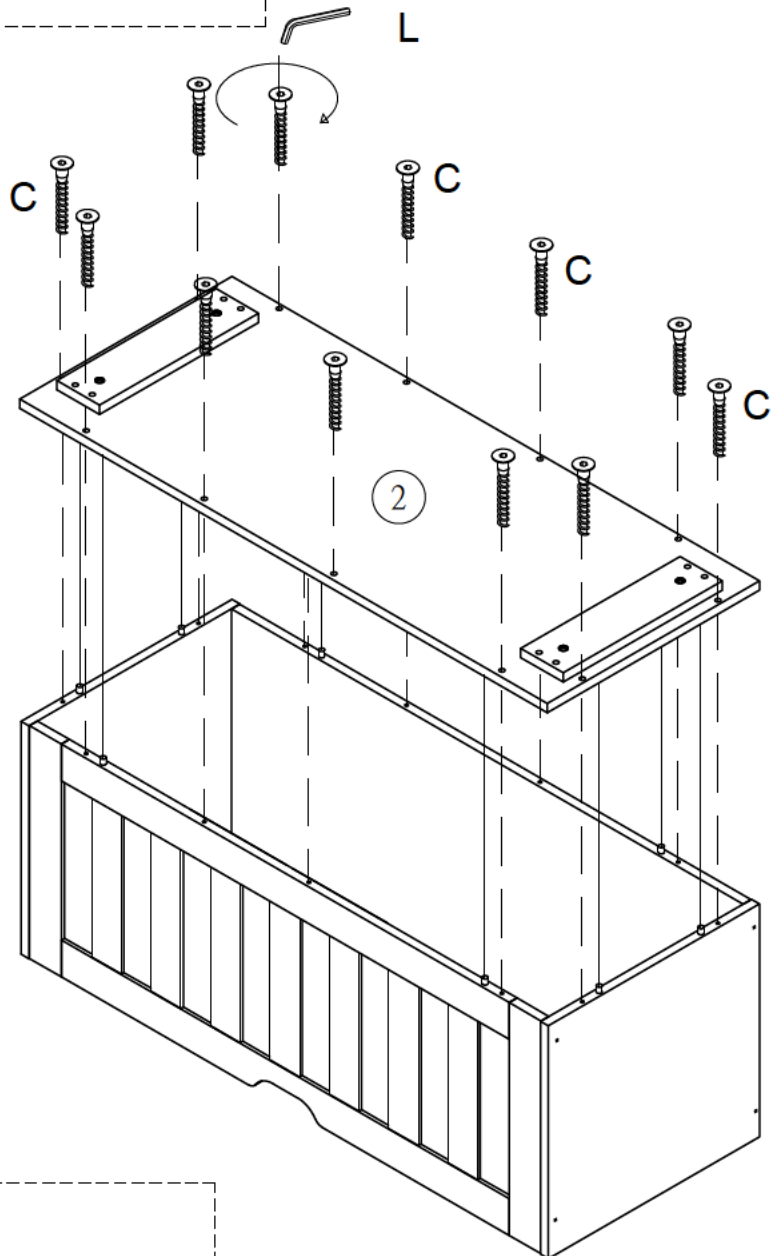
- ③ 1pc ④ 1pc ⑤ 1pc ⑥ 1pc C8pcs L 1pc

STEP3



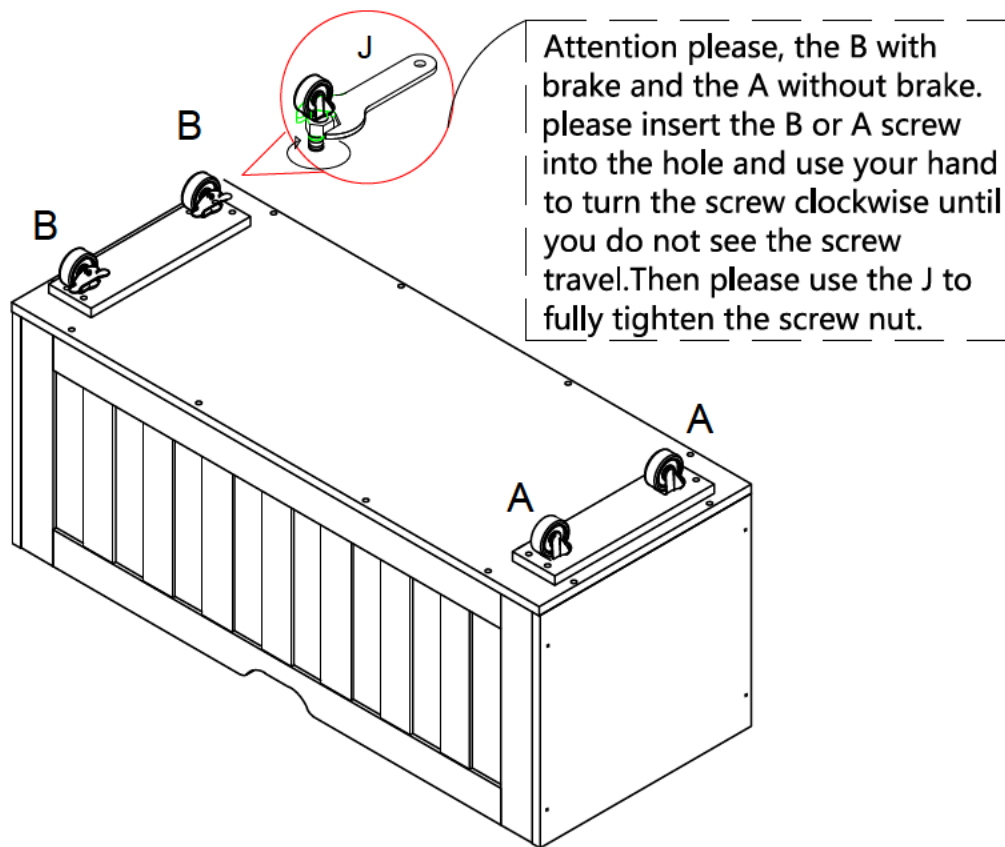
② 1pc ⑦ 2pcs G 8pcs

STEP4



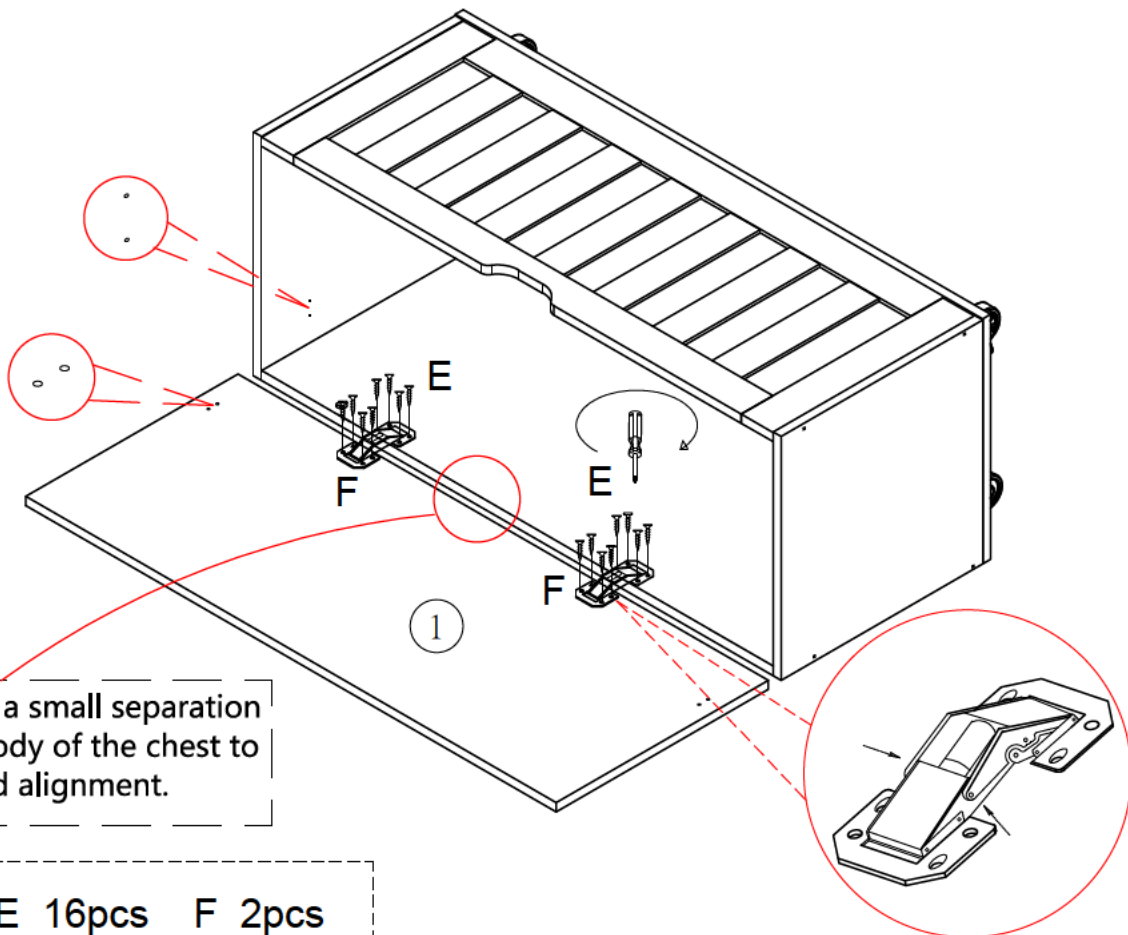
② 1pc C 12pcs L 1pc

STEP5

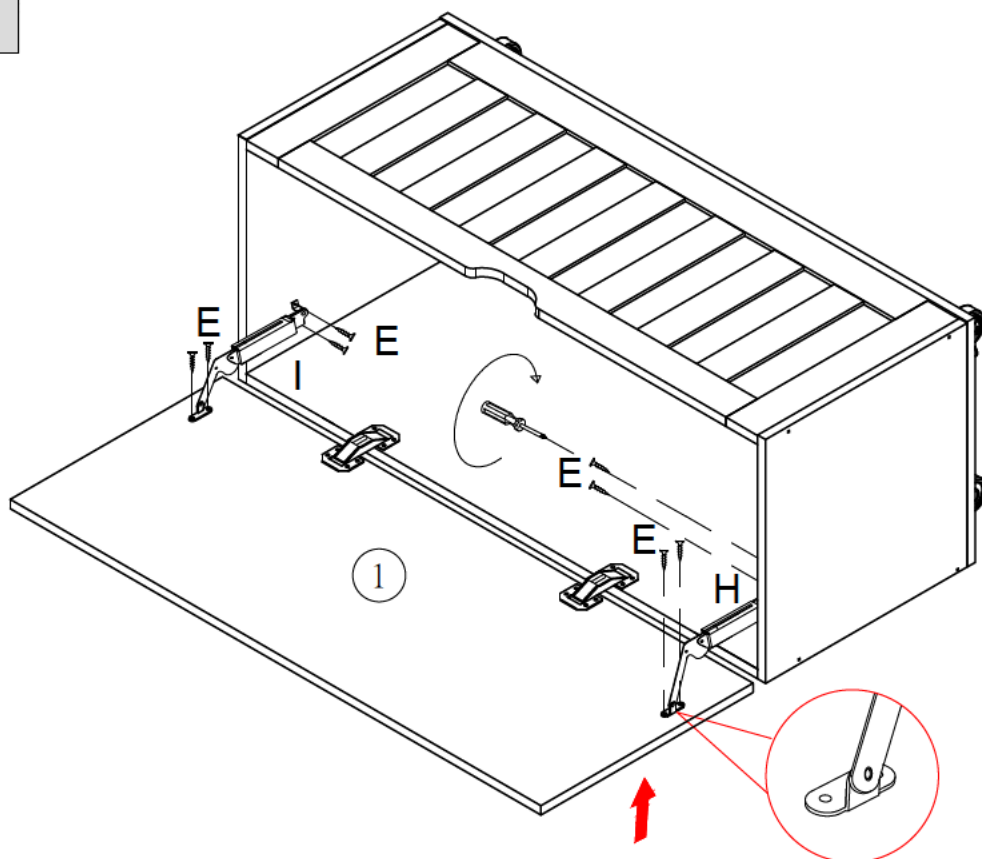


A 2pcs B 2pcs J 1pc

STEP6



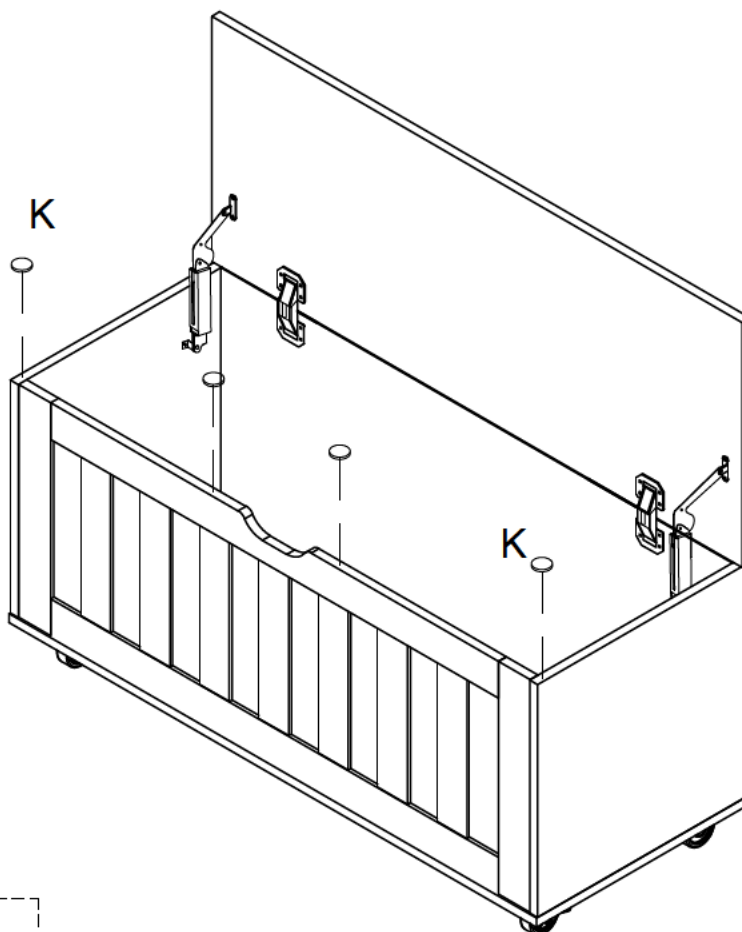
STEP7



E 8pcs H 1pc I 1pc

While assembling, please lift part 1 a little to match the holes.

STEP8



K 4pcs

