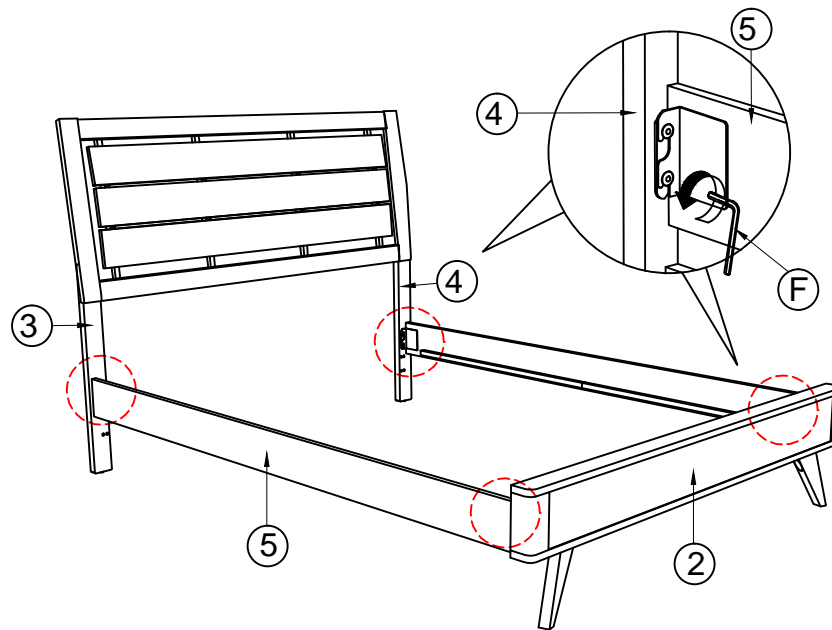


# How to assemble:

Step 3:



Step 4:  
COMPLETE

