

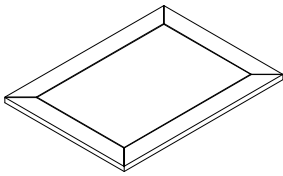
PARTS LIST

Your 18" Pet Crate End Table should include the following parts. Please inspect box contents to ensure you have received all components.

If you are missing any parts, need assistance with assembly or have questions, please contact us.

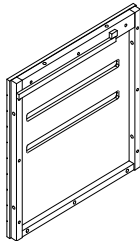
For assembly you will need a Phillips screwdriver. A drill with Phillips bit is recommended.

A



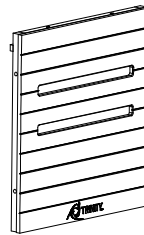
WOOD TOP (1)

B



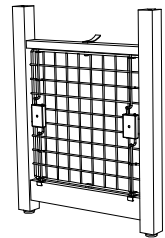
**LEFT
SIDE FRAME (1)
w/o logo**

C



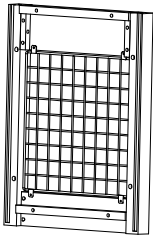
**RIGHT
SIDE FRAME (1)
w/ logo**

D



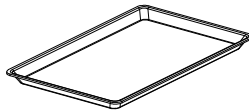
FRONT FRAME (1)

E



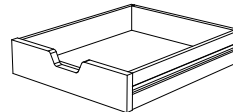
BACK FRAME (1)

F



TRAY (1)

G



DRAWER (1)

H



DOWEL (4)

I



**SHORT SCREW
(8) + (1) extra**

J



**LONG SCREW
(4) + (1) extra**

K



**WASHER
(12) + (2) extra**

Note: To protect product from any scratches or possible damage, please make sure all wood parts are laid on a clean and soft cloth lined surface during assembly process.

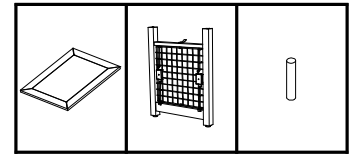
ASSEMBLY INSTRUCTIONS

STEP 1

Lay WOOD TOP (A) on a clean surface with holes facing up.

Orient FRONT FRAME (D) with foot facing up and drawer stopper facing inward.

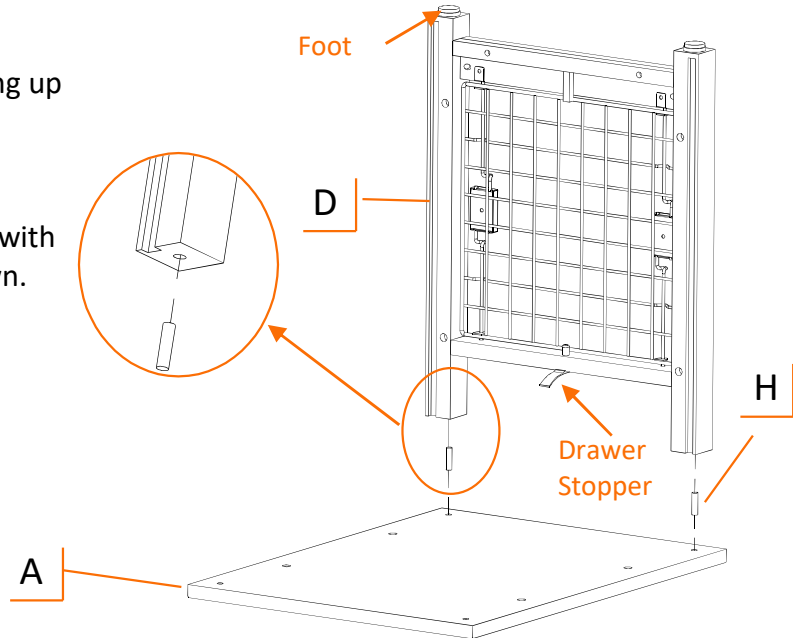
Insert DOWELS (H) into holes on FRONT FRAME (D). Connect FRONT FRAME (D) with WOOD TOP (A) via DOWELS (H) as shown.



A (1)

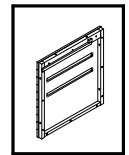
D (1)

H (2)



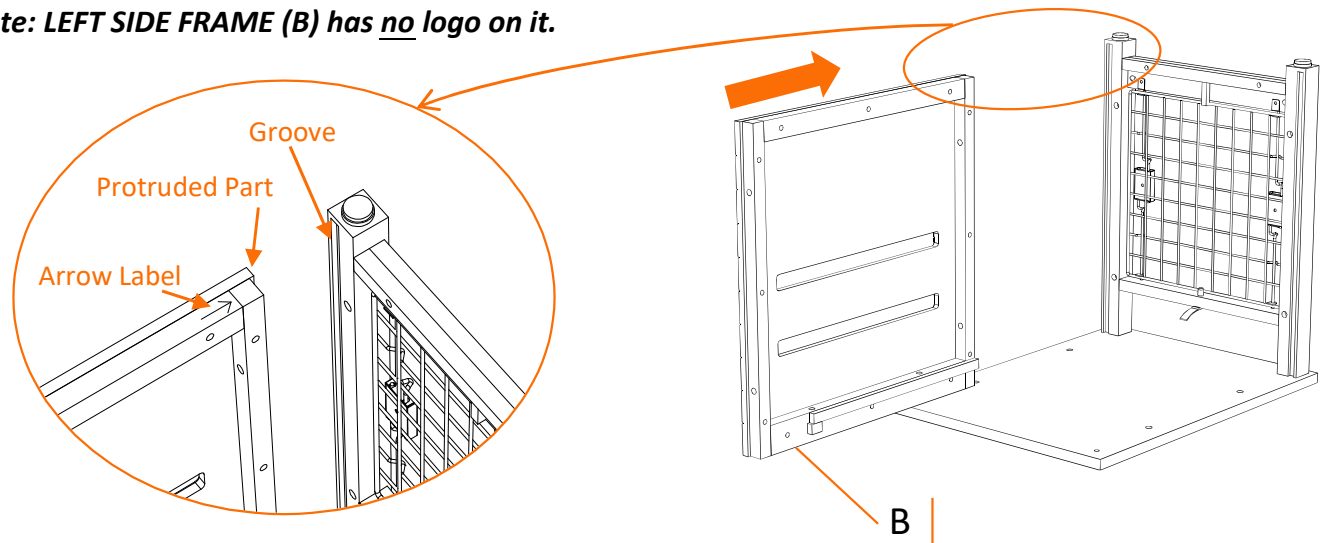
STEP 2

Orient LEFT SIDE FRAME (B) with arrow label pointing toward FRONT FRAME (D). Connect LEFT SIDE FRAME (B) with FRONT FRAME (D) by inserting protruded part of LEFT SIDE FRAME (B) into groove on FRONT FRAME (D).



B (1)

Note: LEFT SIDE FRAME (B) has no logo on it.

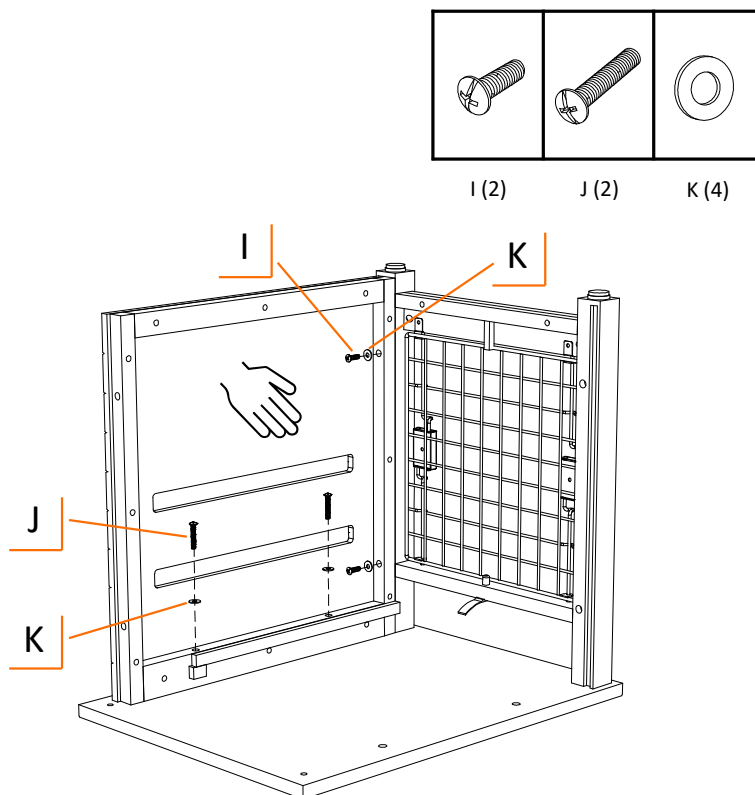


ASSEMBLY INSTRUCTIONS

STEP 3

Insert LONG SCREWS (J) through WASHERS (K) and LEFT SIDE FRAME (B) and hand tighten onto WOOD TOP (A).

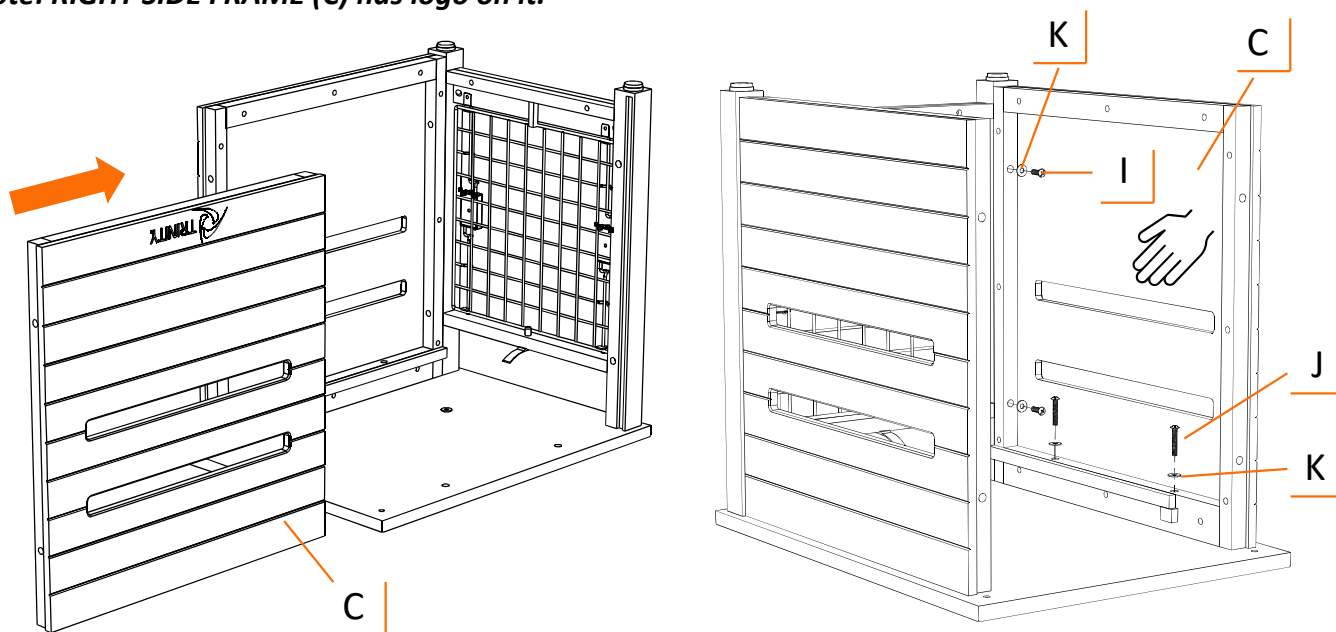
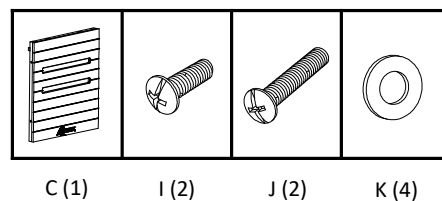
Insert SHORT SCREWS (I) through WASHERS (K) and LEFT SIDE FRAME (B) and hand tighten onto FRONT FRAME (D).



STEP 4

Repeat STEP 2 and STEP 3 for RIGHT SIDE FRAME (C).

Note: RIGHT SIDE FRAME (C) has logo on it.



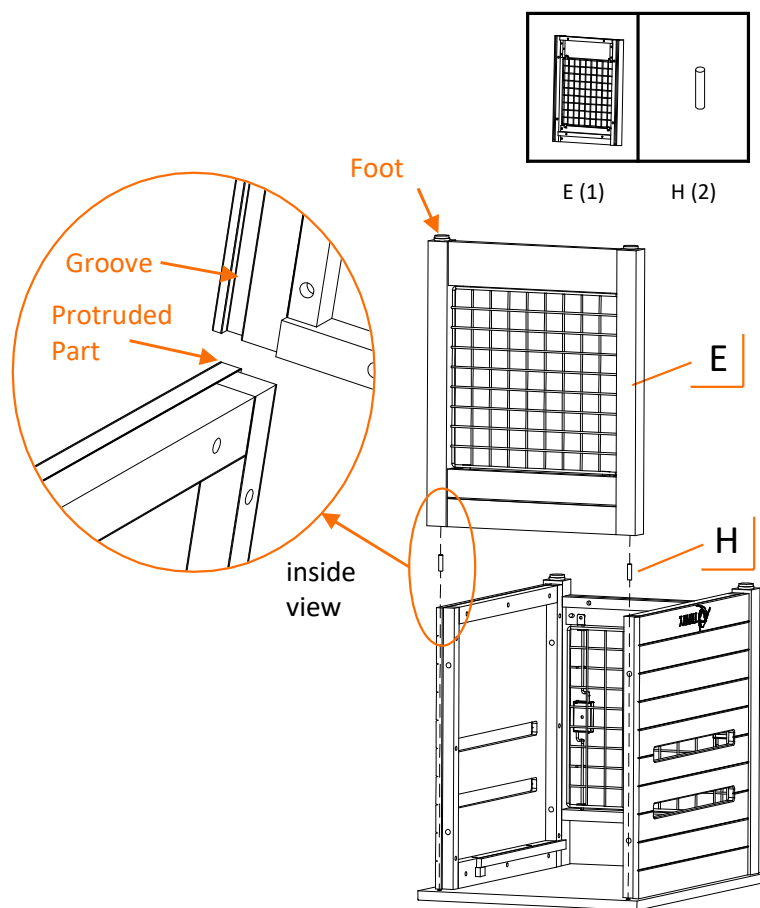
ASSEMBLY INSTRUCTIONS

STEP 5

Orient BACK FRAME (E) with foot facing up and grooves on BACK FRAME (E) facing inward.

Insert DOWELS (H) into holes on BACK FRAME (E). Connect BACK FRAME (E) with WOOD TOP (A) via DOWELS (H) as shown.

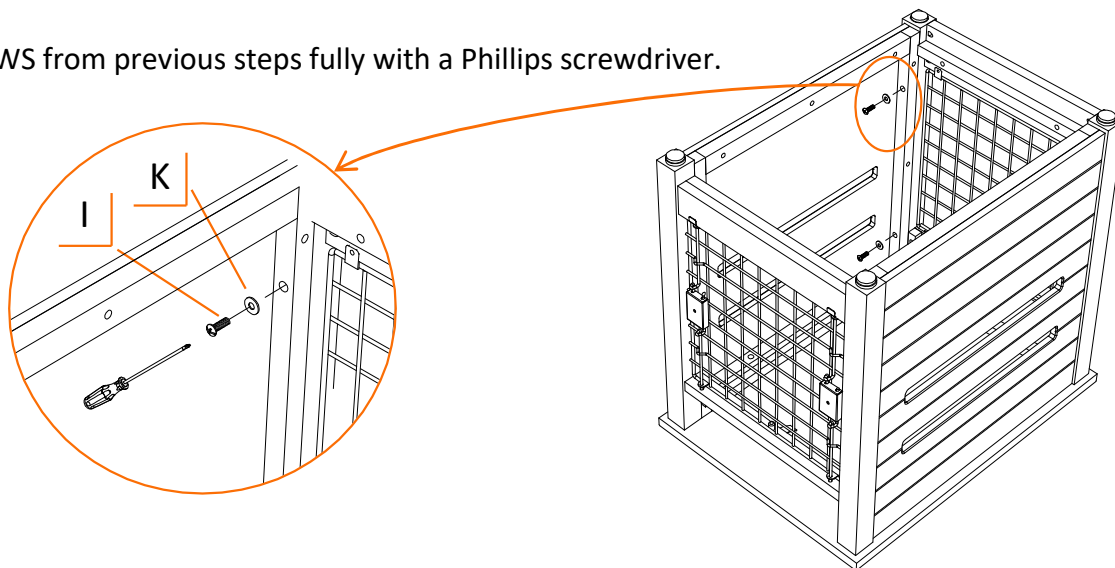
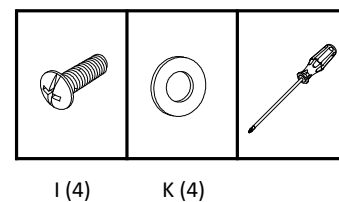
Make sure protruded parts of LEFT SIDE FRAME (B) and RIGHT SIDE FRAME (C) are inserted into grooves on BACK FRAME (E).



STEP 6

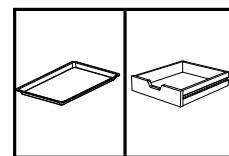
Insert SHORT SCREW (I) through WASHERS (K) and LEFT SIDE FRAME (B) and fully fasten with a Phillips screwdriver onto BACK FRAME (E). Repeat with RIGHT SIDE FRAME (C).

Tighten all SCREWS from previous steps fully with a Phillips screwdriver.



ASSEMBLY INSTRUCTIONS

STEP 7

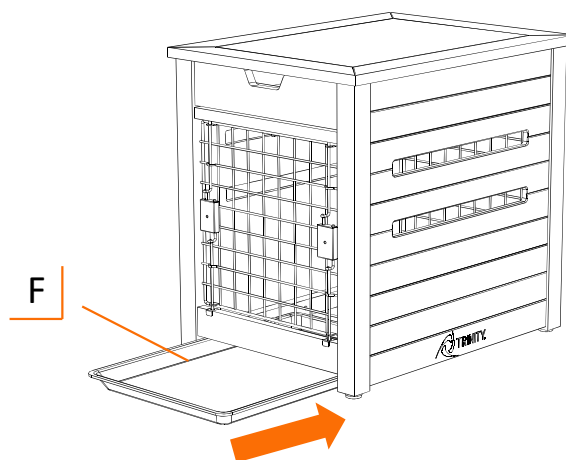
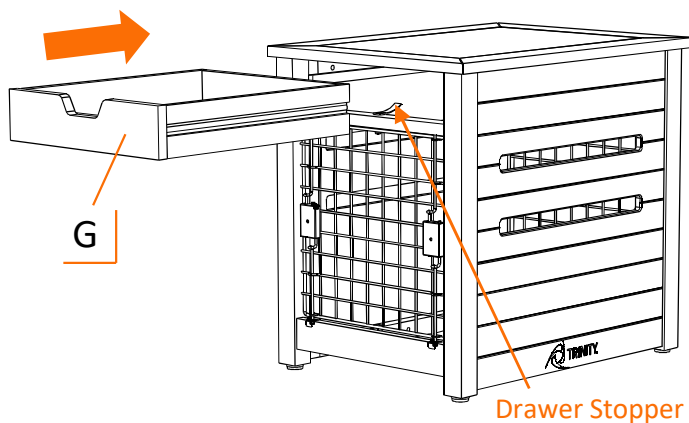


F (1)

G (1)

Flip over completed STEP 6 assembly and push DRAWER (G) fully into assembly as shown. Slide TRAY (F) under pet crate as shown.

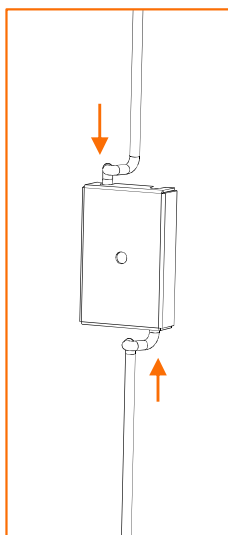
To remove drawer, pull plastic drawer stopper down to disengage drawer.



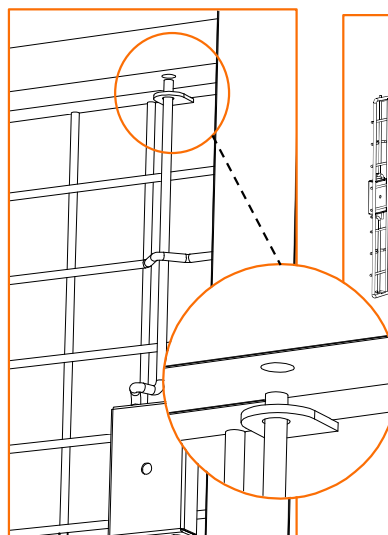
DOOR USAGE INSTRUCTIONS

1. Squeeze wire ends on door latch as shown to open door.
2. Make sure wires disengage from holes on top and bottom before pulling door open.
3. You can open door to left or right as desired.
4. To close door, squeeze latch and make sure wire ends re-engage into holes.

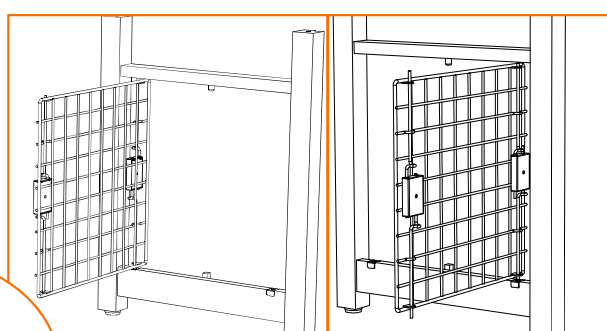
1



2



3



open door left

open door right