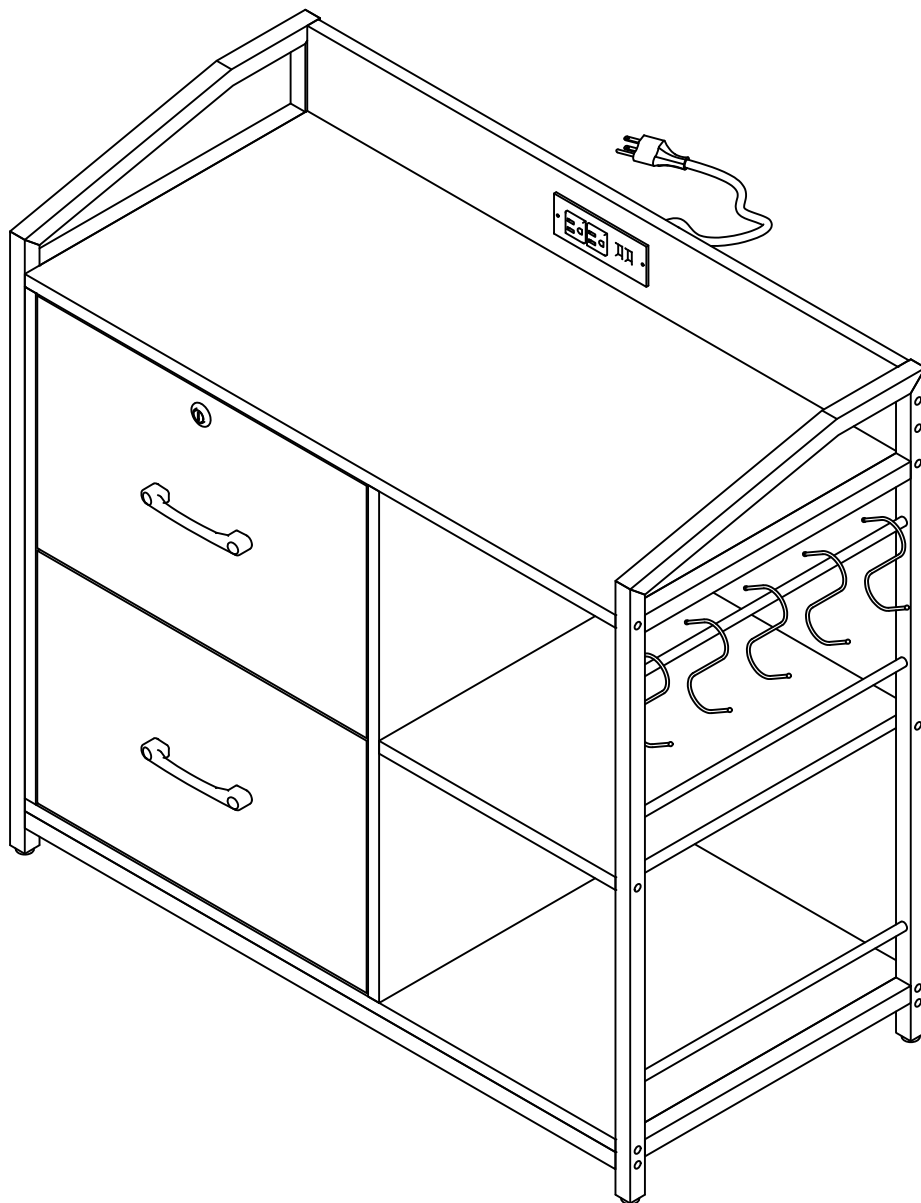


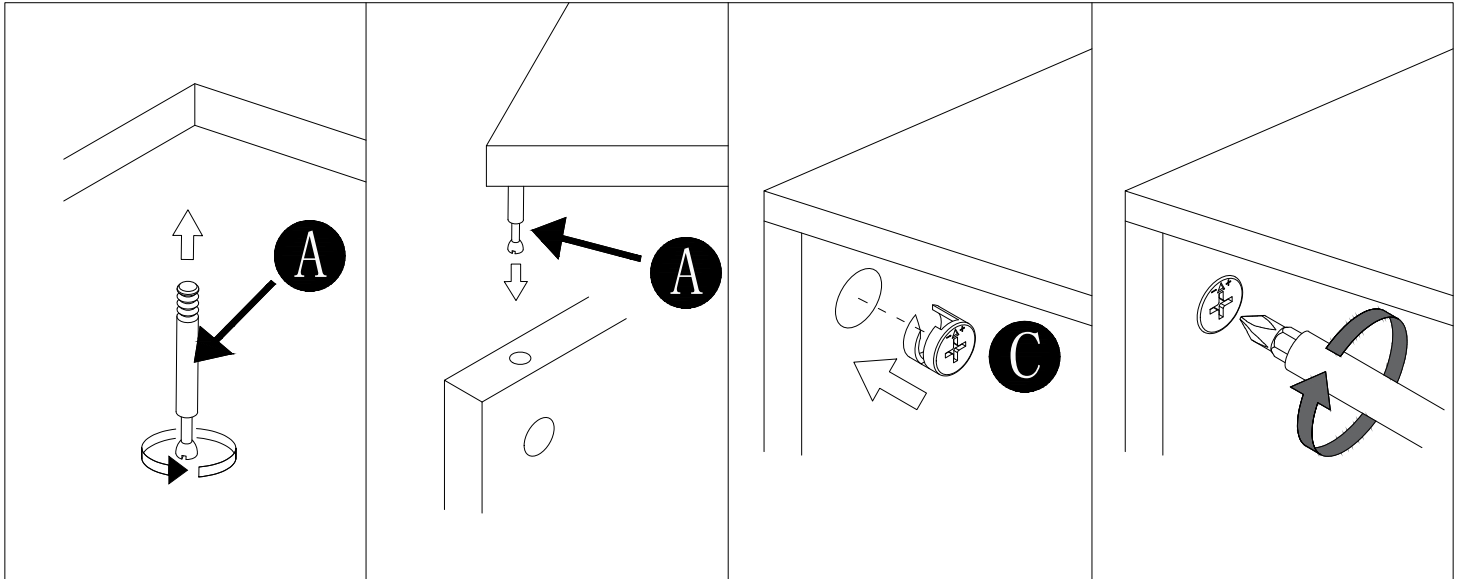
Assembly Instructions



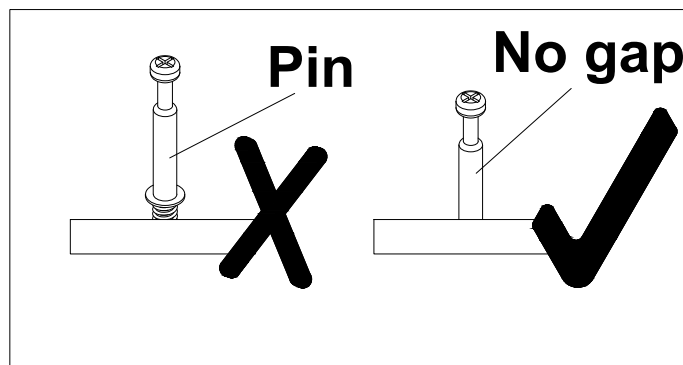
WF-05

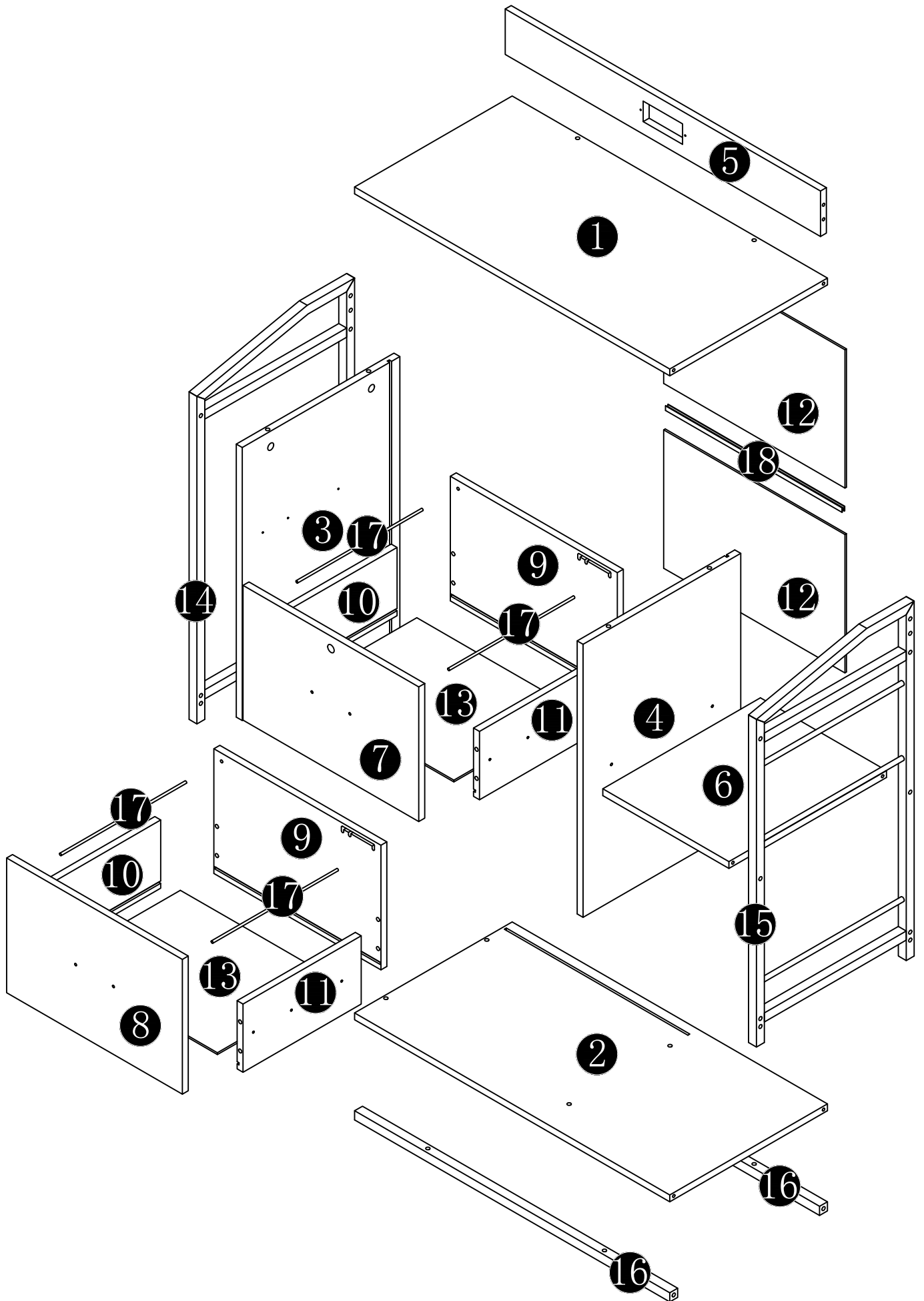
Installation of Cams and Pins

Screw the pin into the hole. To set the cams correctly, ensure that the arrow on the cam is opening to the hole of the pin it is locking. Lock the cam by turning the cam head with a screwdriver until it is tightened. Please do not use an electric screwdriver to assemble the unit.

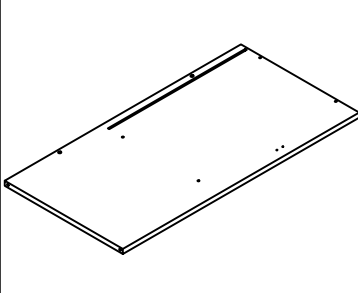
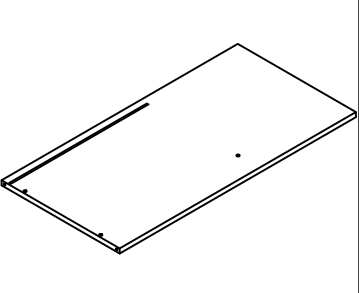
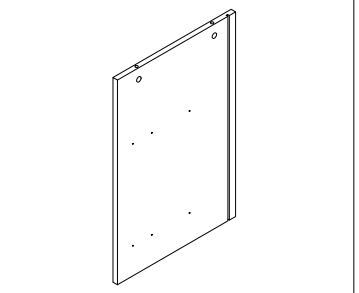
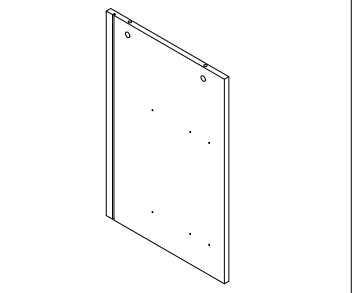
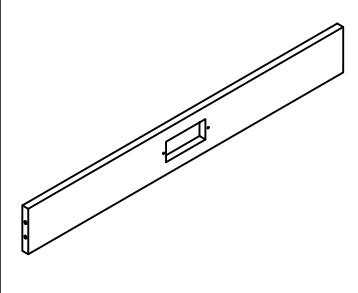
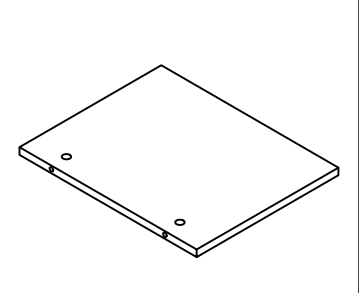
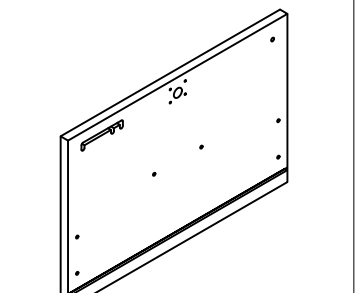
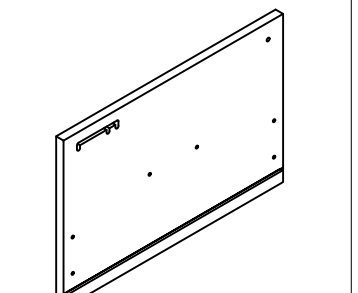
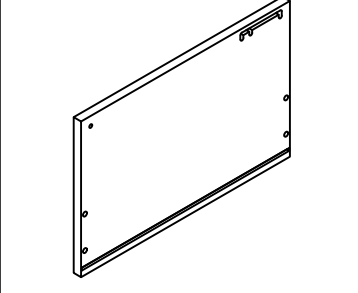
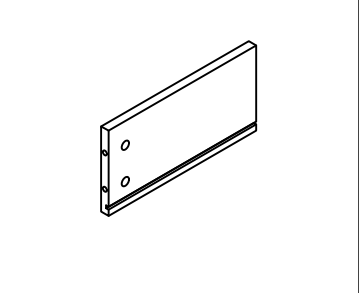
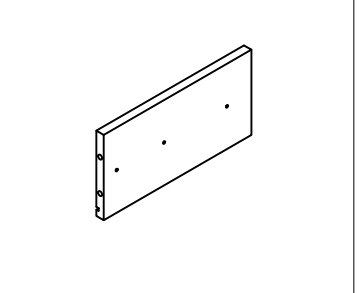
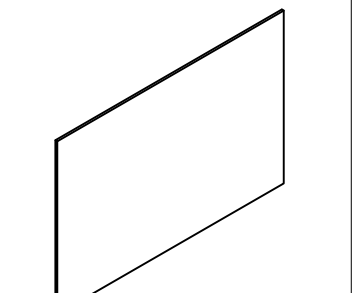
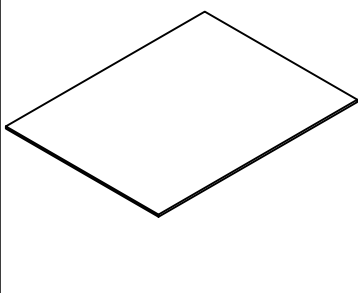
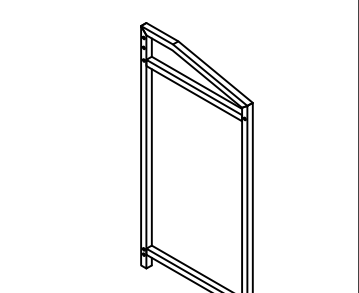
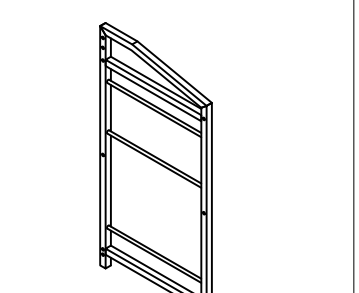
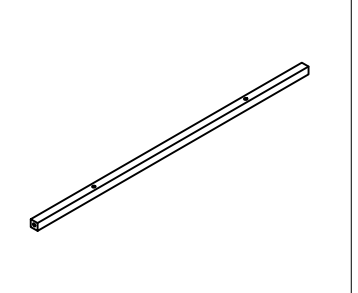
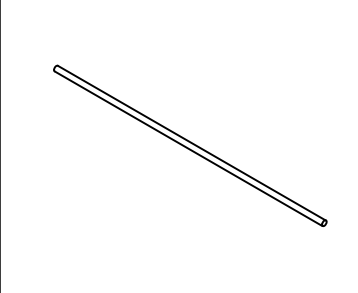
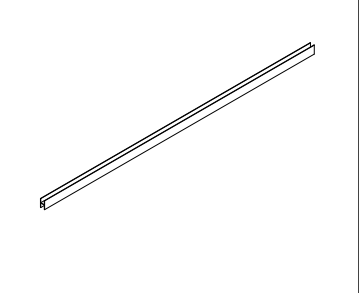


Read each step carefully before starting. It is very important that each step of instruction is performed in the correct order. If these steps are not followed in sequence, assembly difficulties will occur.





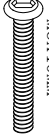



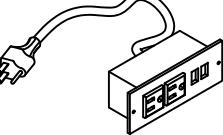
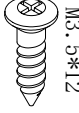
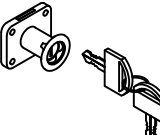



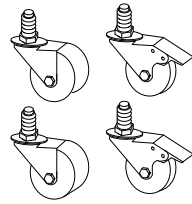
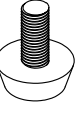

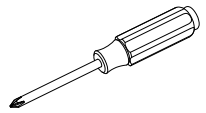
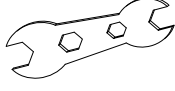




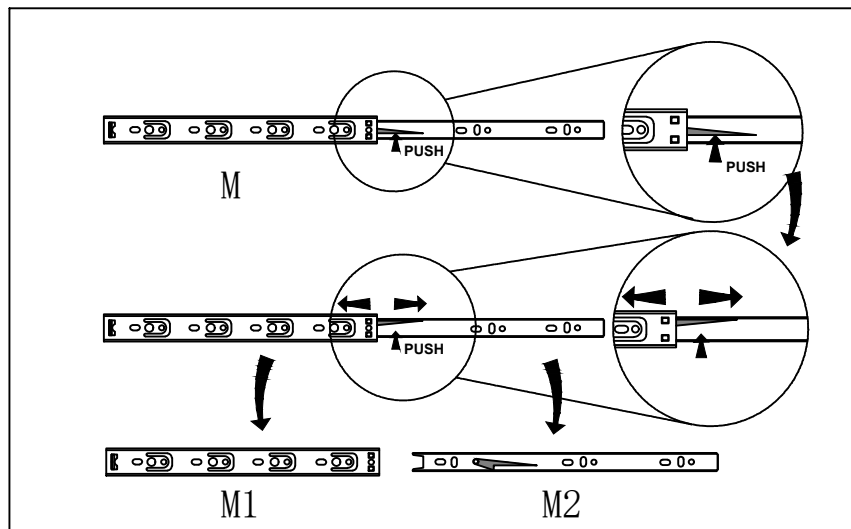
Parts & Hardware List

 <p>1 1pc</p>	 <p>2 1pc</p>	 <p>3 1pc</p>	 <p>4 1pc</p>
 <p>5 1pc</p>	 <p>6 1pcs</p>	 <p>7 1pc</p>	 <p>8 1pc</p>
 <p>9 2pcs</p>	 <p>10 2pcs</p>	 <p>11 2pcs</p>	 <p>12 2pcs</p>
 <p>13 2pcs</p>	 <p>14 1pc</p>	 <p>15 1pc</p>	 <p>16 2pcs</p>
 <p>17 4pcs</p>	 <p>18 1pc</p>		

Parts & Hardware List

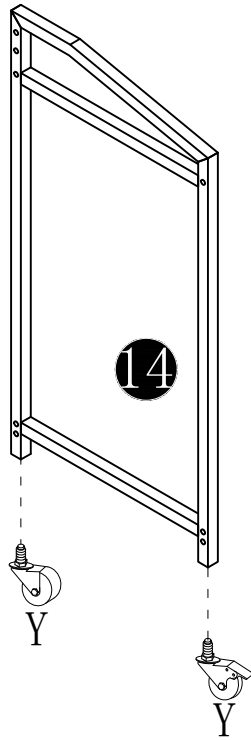
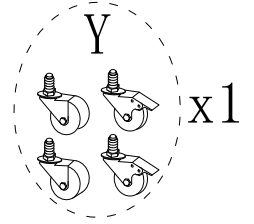
 <p>A 14pcs</p>	 <p>M7X50mm B 28pcs</p>	 <p>C 14pcs</p>	 <p>M6X30MM F 4pcs</p>	 <p>M6X40MM H 4pcs</p>	 <p>96 J 2pcs</p>
 <p>M4X18MM K 4pcs</p>	 <p>300MMX12" Drawer Slide Kit M 4pcs</p>	 <p>P 1pc</p>	 <p>M3.5*12 Q 28pcs</p>	 <p>R 1pc</p>	 <p>S 5pcs</p>
 <p>T 1pc</p>	 <p>M3.5*14 U 4pcs</p>	 <p>Y 1set</p>	 <p>Z 4pcs</p>		
					

Before starting assembly, please separate the Drawer Slide Kit (Part M) into two Parts — M1 and M2, as indicated.



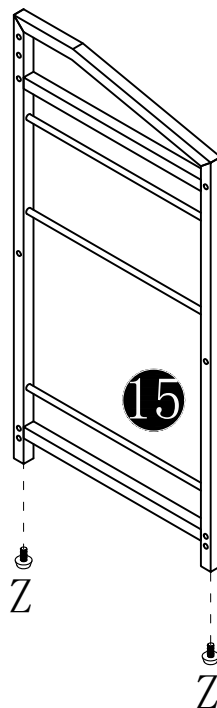
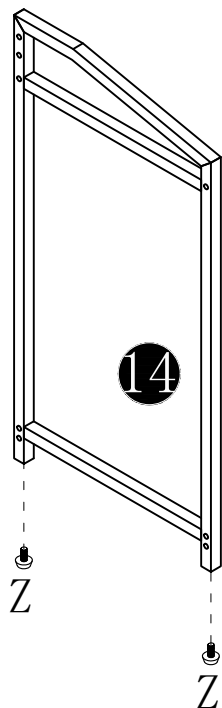
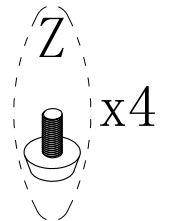
1

You can customize your setup based on your needs.
For mobility, install the wheels (Y) as shown in Step 1.

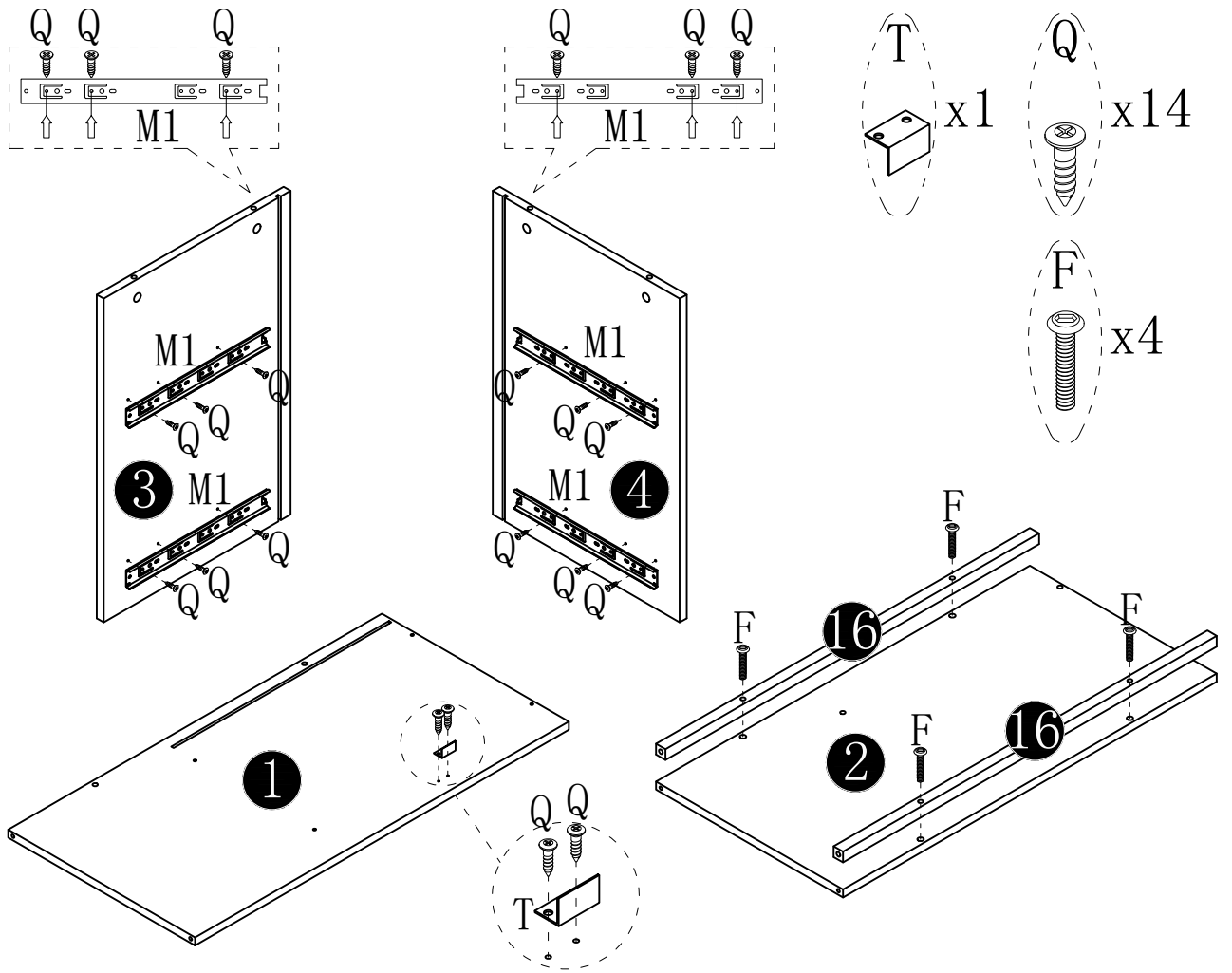


2

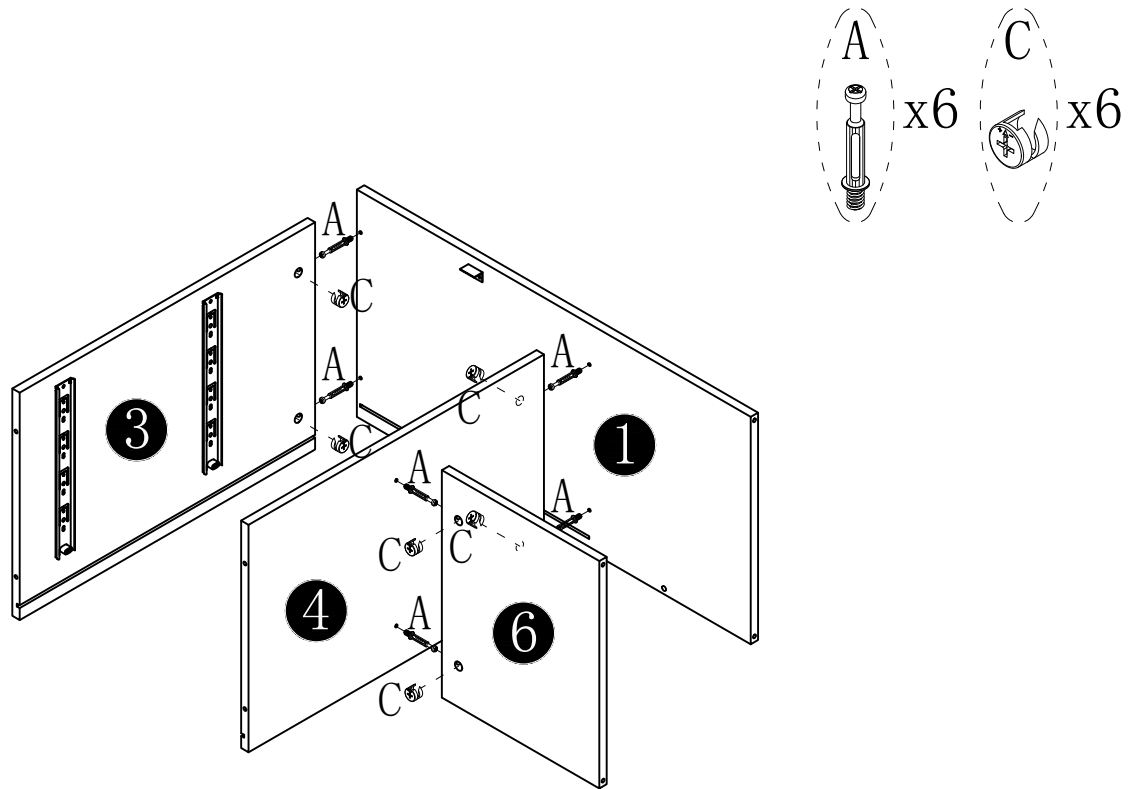
For a stationary setup, skip Step 1 and install the
fixed feet (Z) in Step 2.



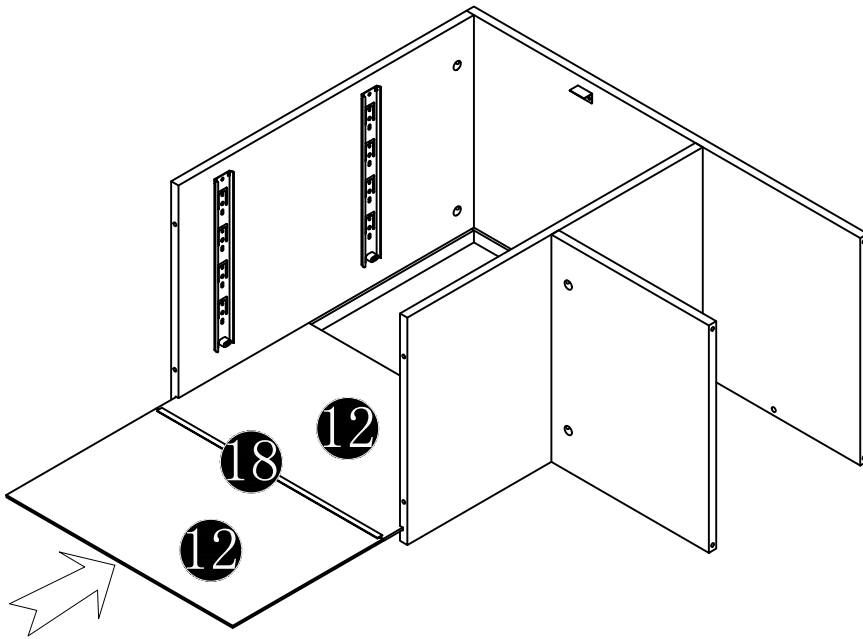
3



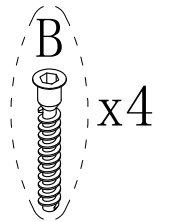
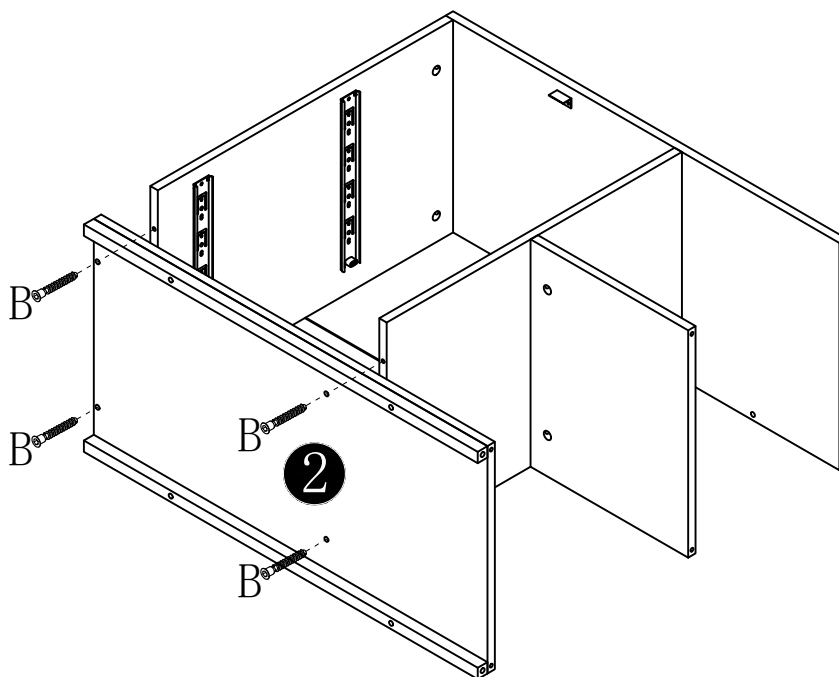
4



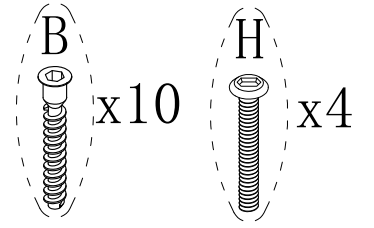
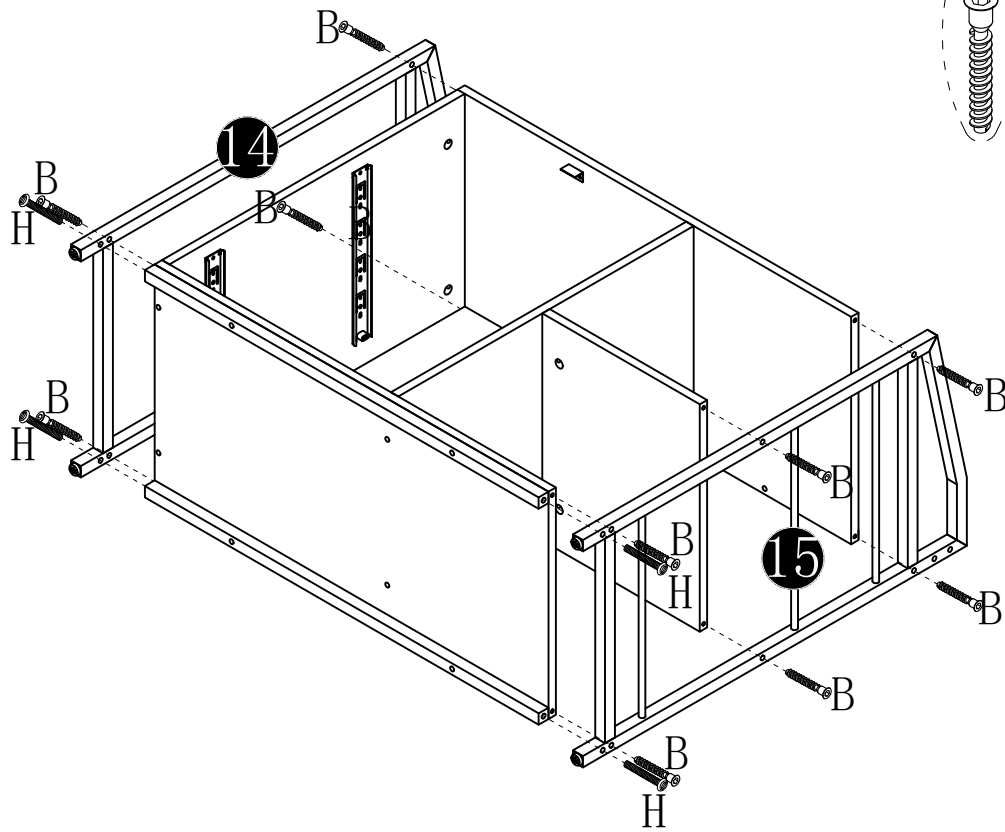
5



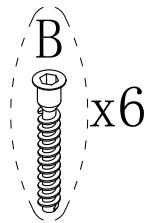
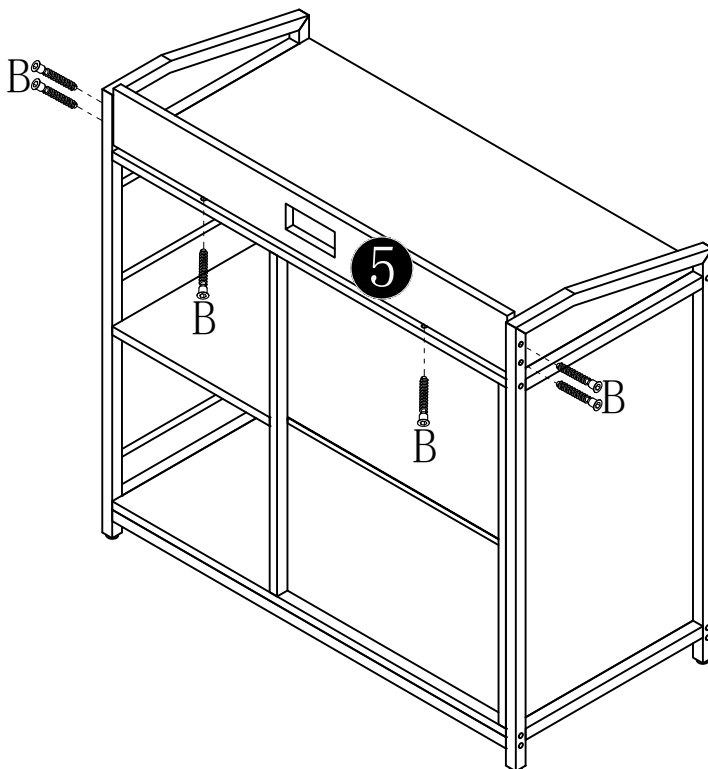
6



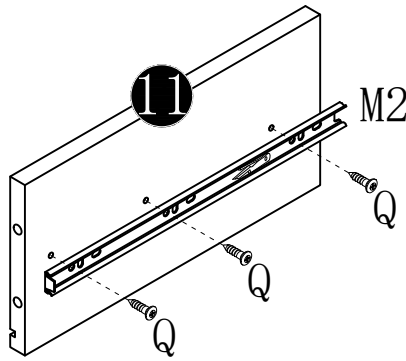
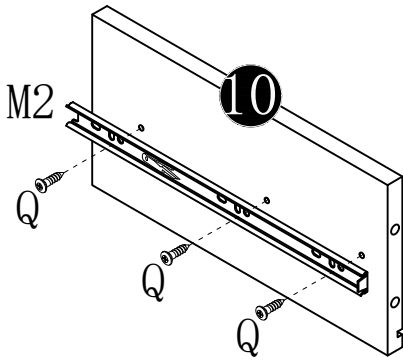
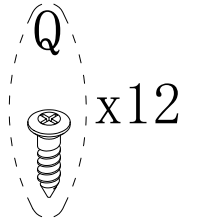
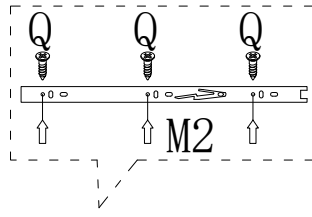
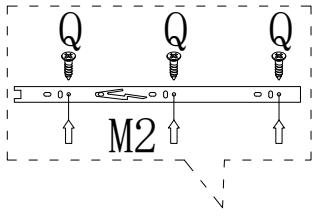
7



8

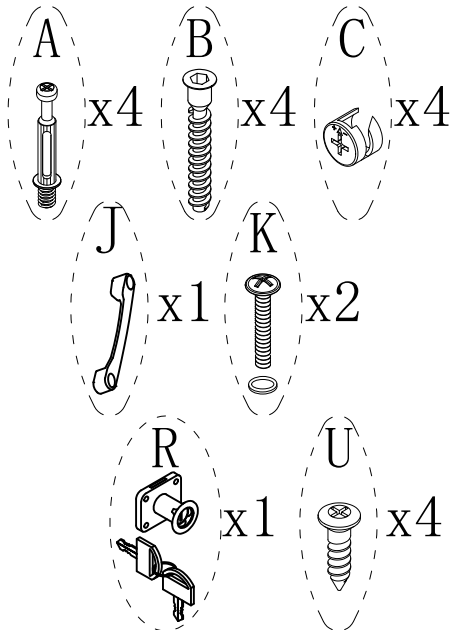
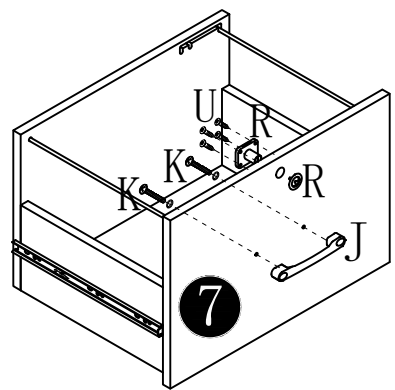
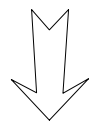
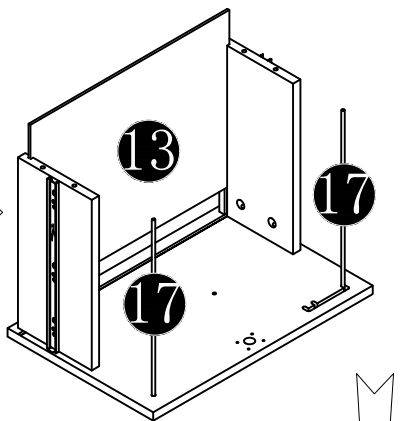
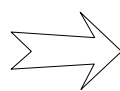
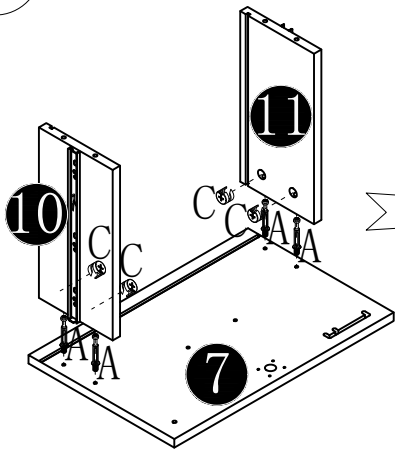


9

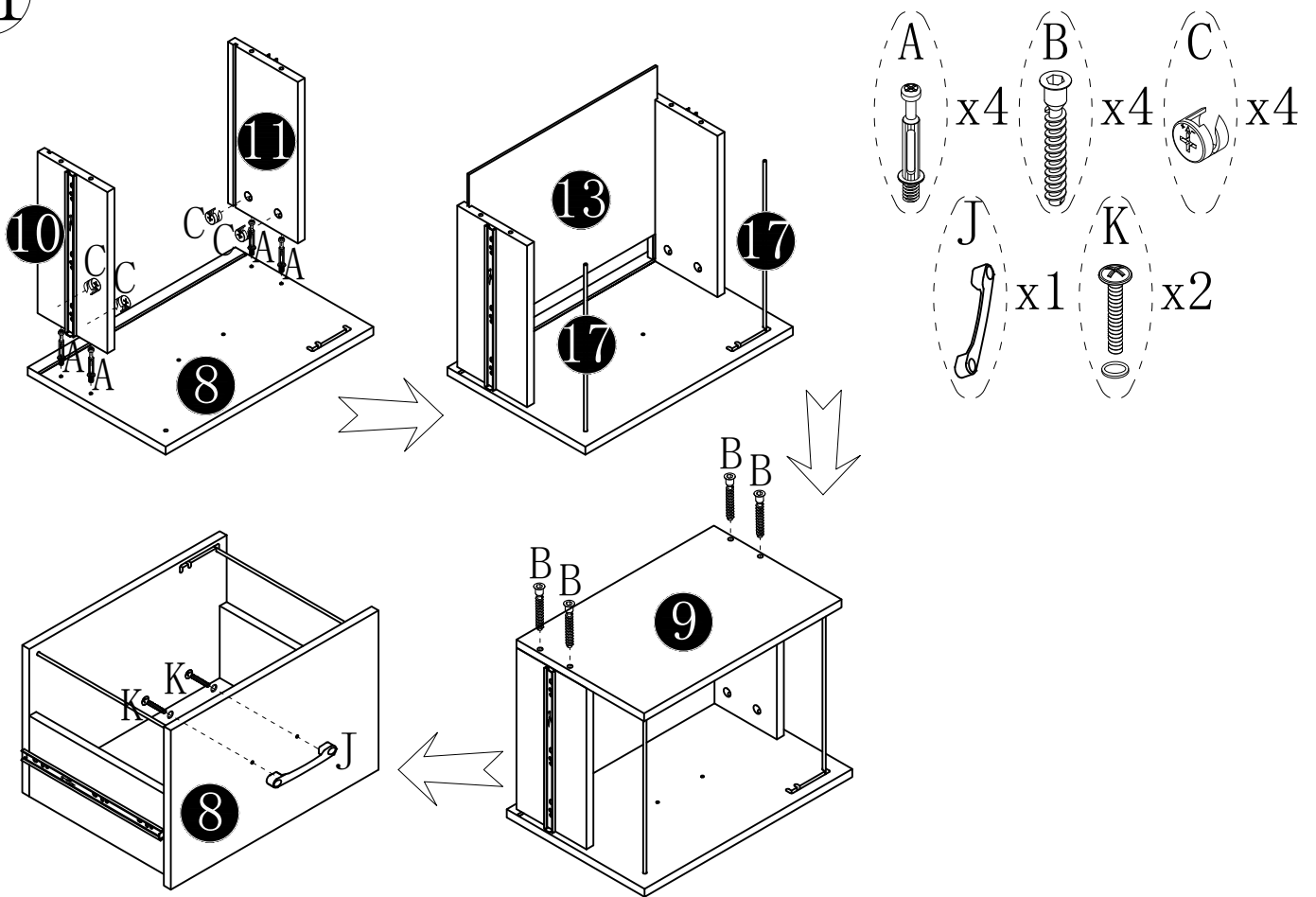


x2

10

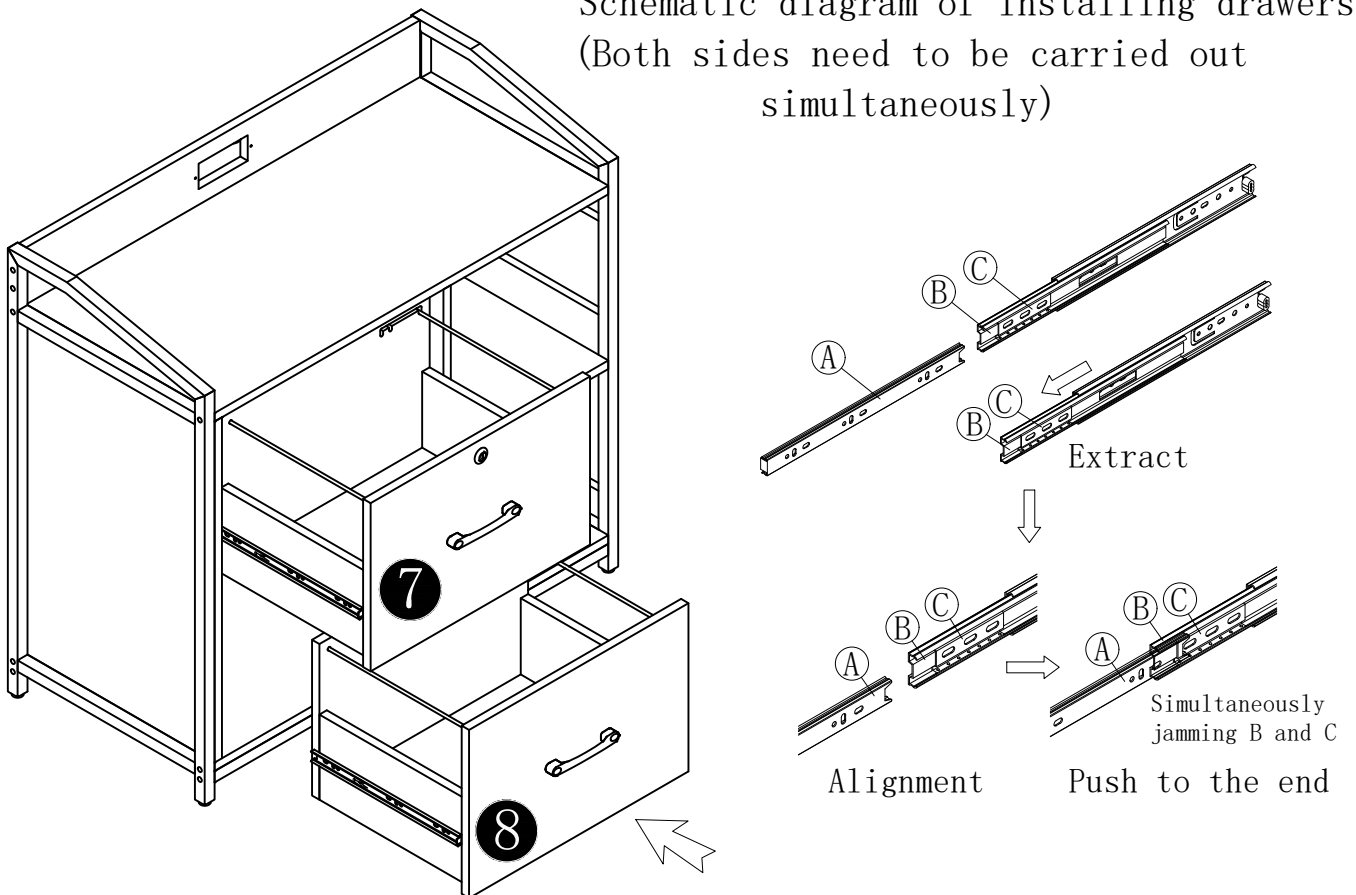


11

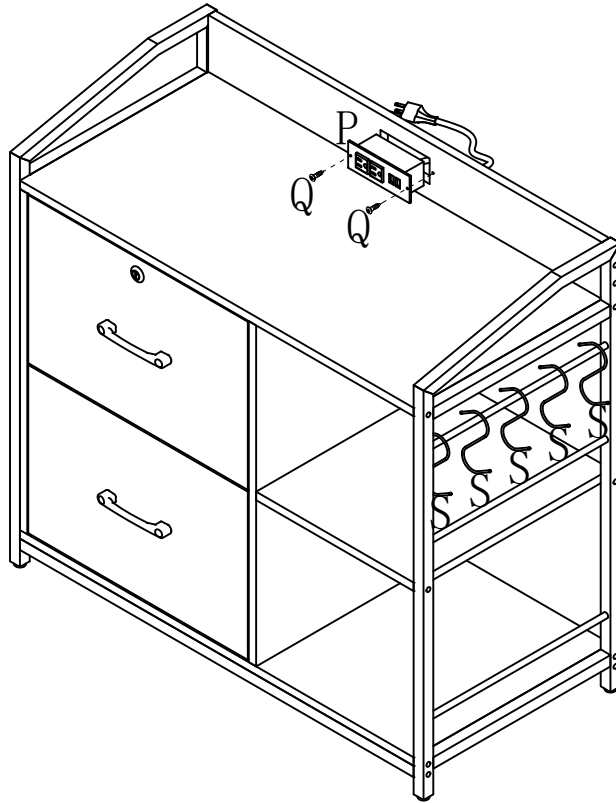
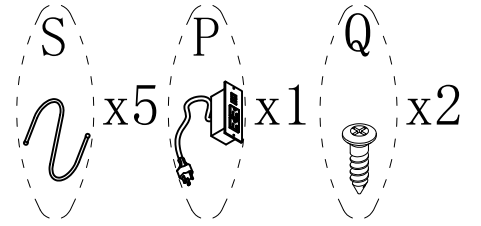


12

Schematic diagram of installing drawers
(Both sides need to be carried out simultaneously)



13



14

