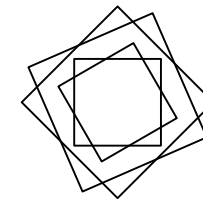
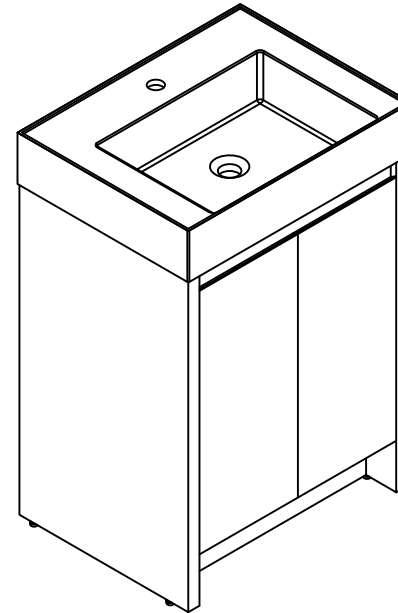


**Installation Manual- BV B03624
BV B03630**

THANKS FOR WATCHING

Your feedback is invaluable to us and we would love to hear about your experience. Please take the time to leave us a review.


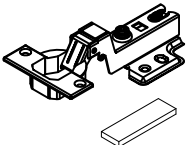
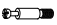







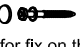




Thank you for shopping with us!

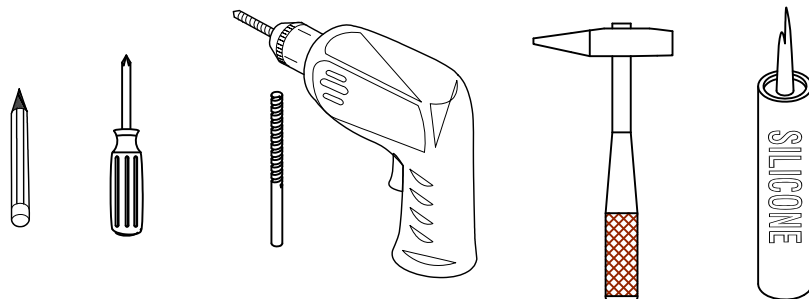
We encourage you to take a few minutes to go through this booklet. It contains important information on installation and care tips to keep your furniture looking as good as new.

Item NO.:BV B03624 / BV B03630

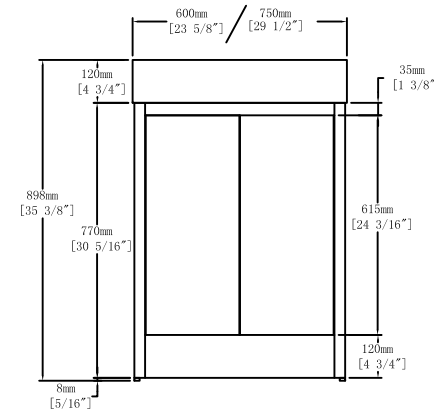
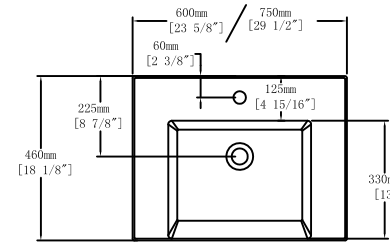
Hardware

| NO. | Draw | QTY | NO. | Draw | QTY |
|-----|---|-----|-----|---|-----|
| A |  Screws Ø4x14mm | 44 | I |  Hinges | 4 |
| B |  Two-in-one connector | 24 | J |  Anti-collision gasket | 4 |
| C |  Two-in-one connector | 24 | K |  Movable laminate support | 4 |
| D |  Wood plug | 4 | L |  Adjustable feet | 4 |
| E |  Plastic anchor(Ø10mm) | 2 | M |  Screwdriver | 1 |
| F |  Screws for fix on the wall | 2 | | | |
| G |  Bracket (53x70x44mm) | 2 | | | |
| H |  Bracket (19x19x35mm) | 2 | | | |

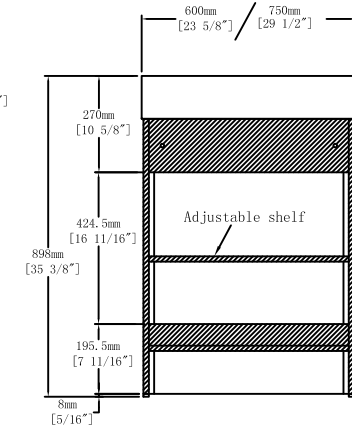
Recommended tools



Dimensions



Front View



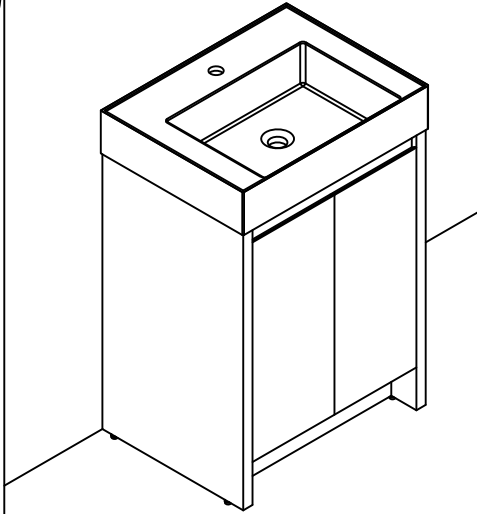
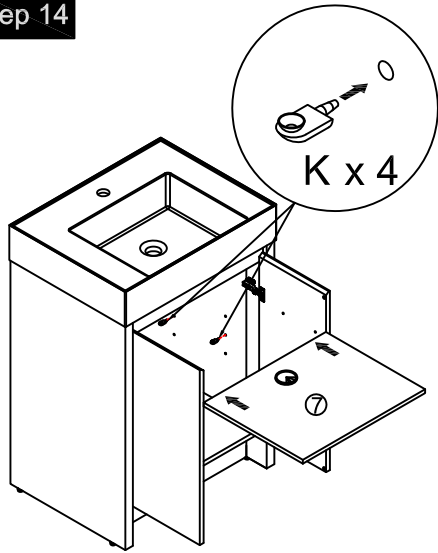
Back View

CARE CLEANING AND MAINTENANCE

1. Dust regularly with a soft , dry cloth.
2. Avoid the use of all chemicals household cleaners, abrasives, or cleaners that contain lemon, vinegar, or other acids that may damage the finish.
3. Excessive exposure to sunlight and extreme changes in temperature and moisture can damage wood furniture.
4. The sink top is resilient, but care needs to be taken to preserve its appearance.
5. Do not place hot appliances, such as curling irons and hot hair dryers directly on the countertop. Wipe spills immediately.

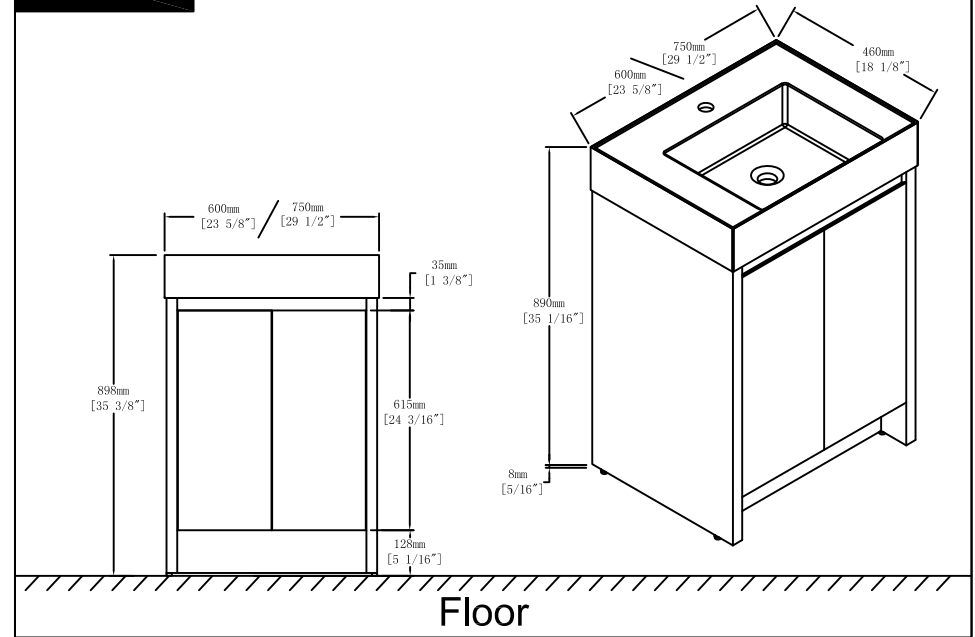
Step 14

Finished

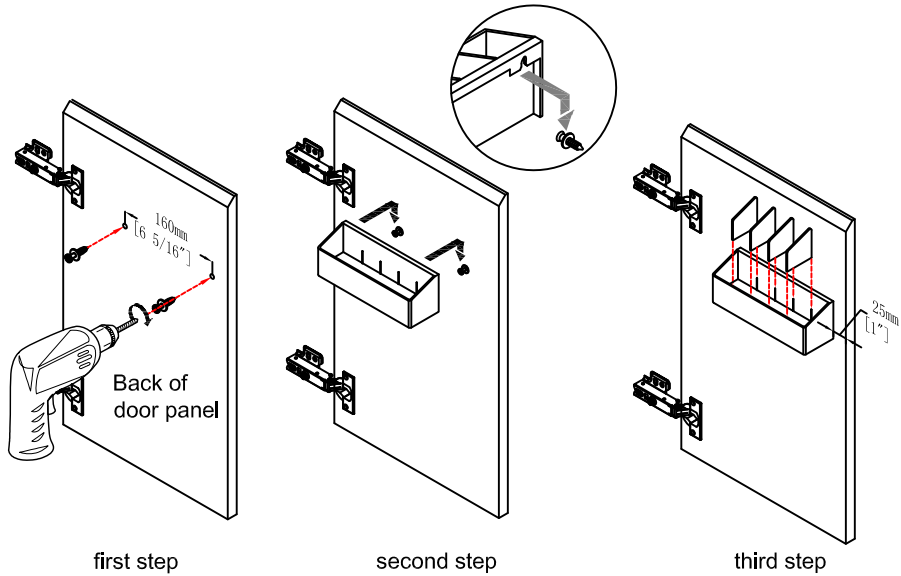


Notes:
The installation position can be selected according to the required height.

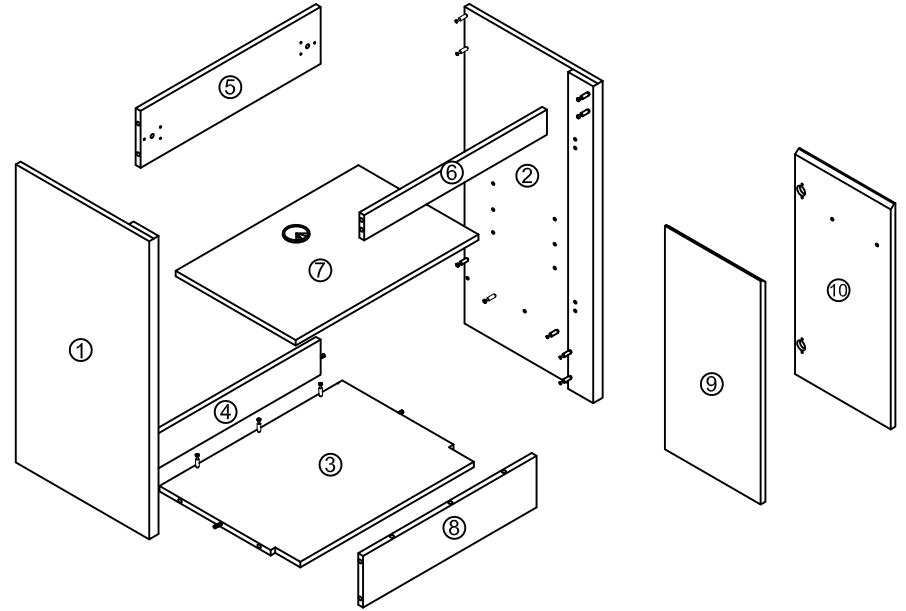
Dimensions



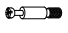

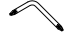
Procedure for installing the plastic box

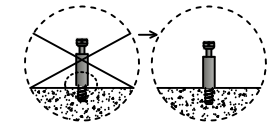
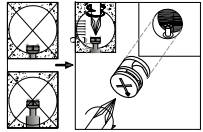
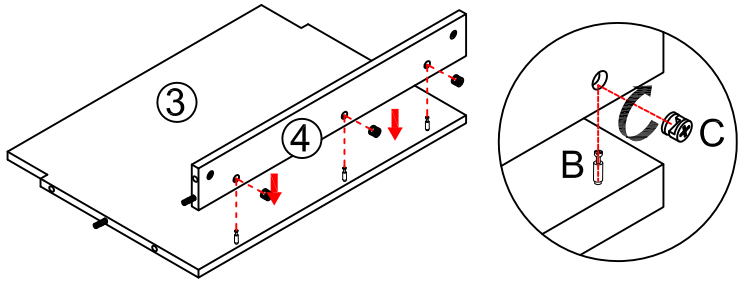


Components

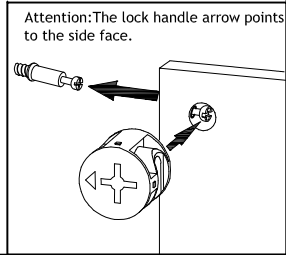


Step 1

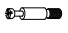


-  x3
-  x3
-  x1

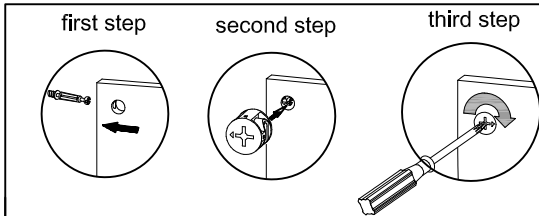
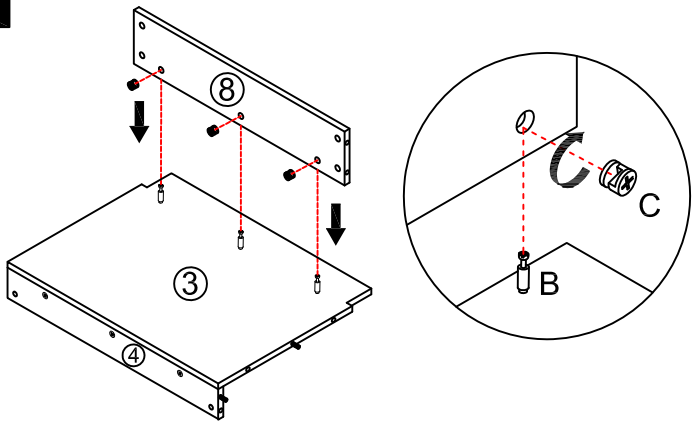


Notes: Screw installation depth as shown

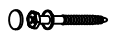



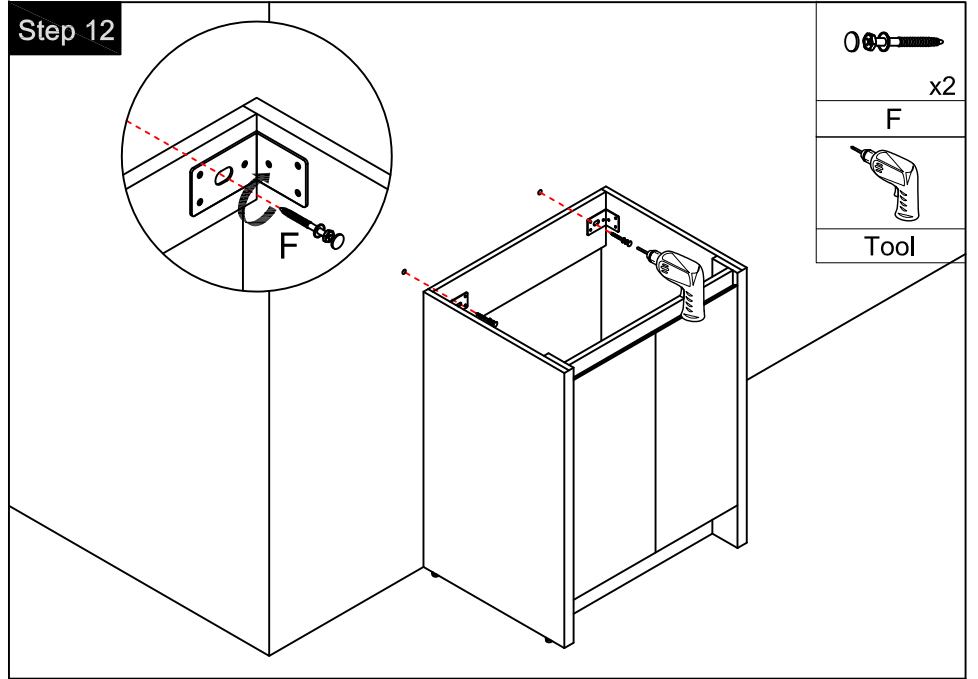
Step 2

-  x3
-  x3
-  x1

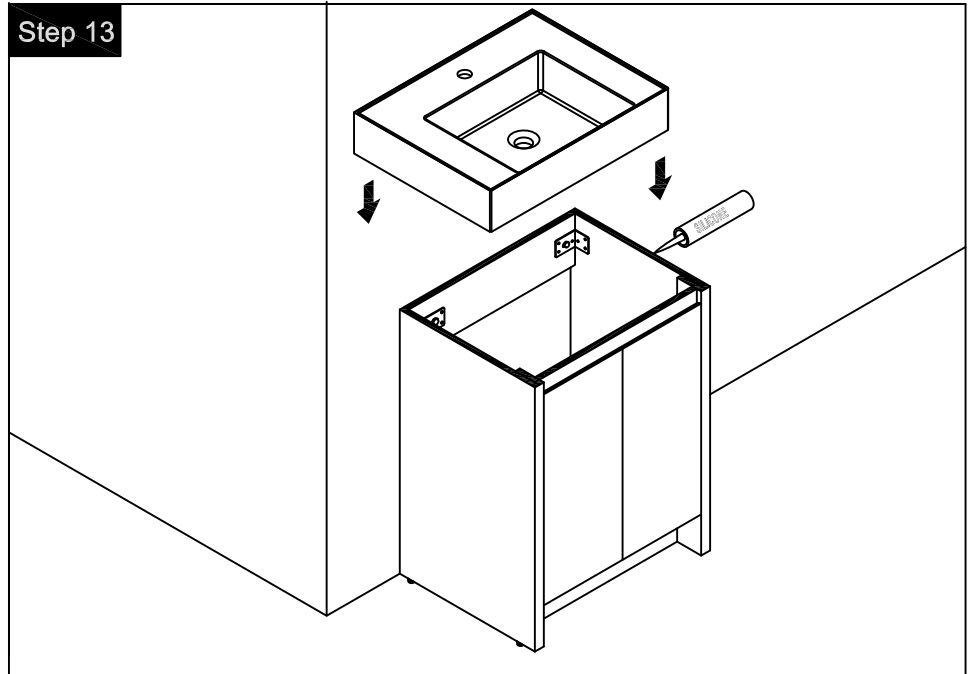


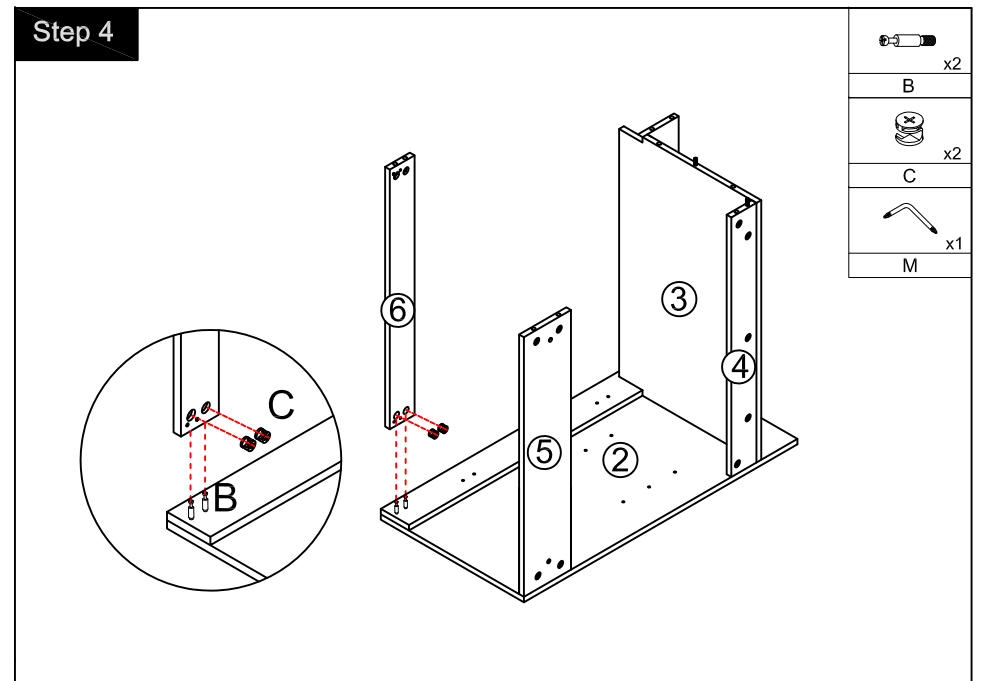
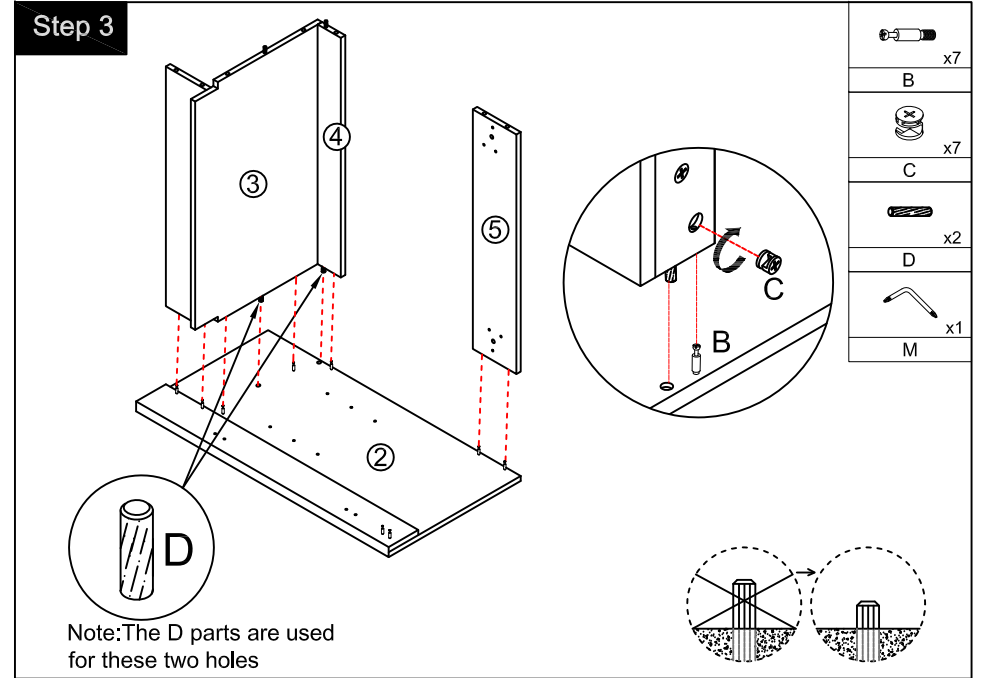
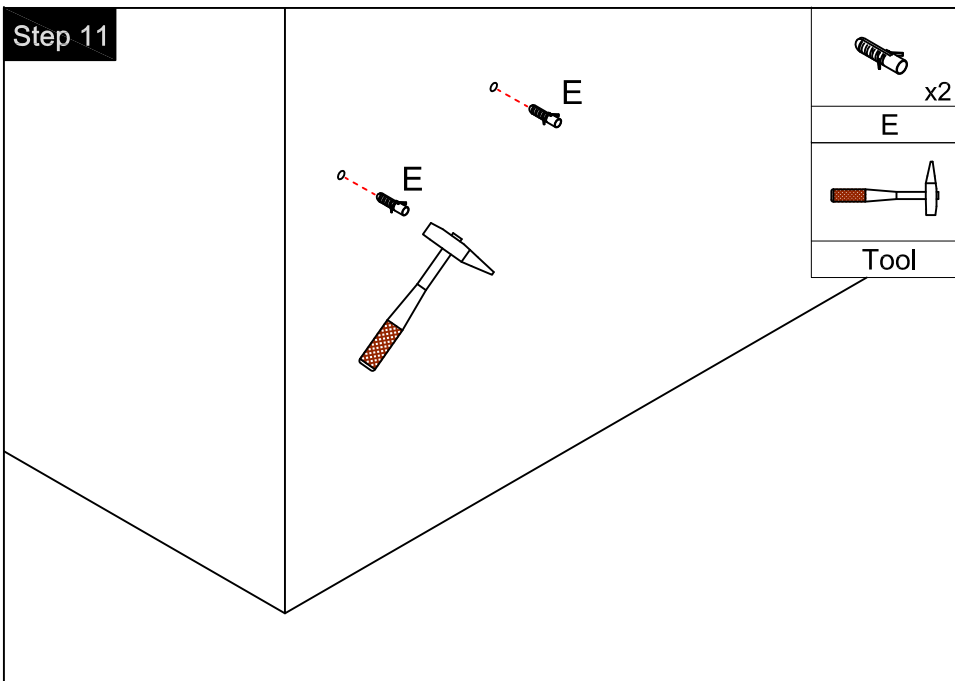
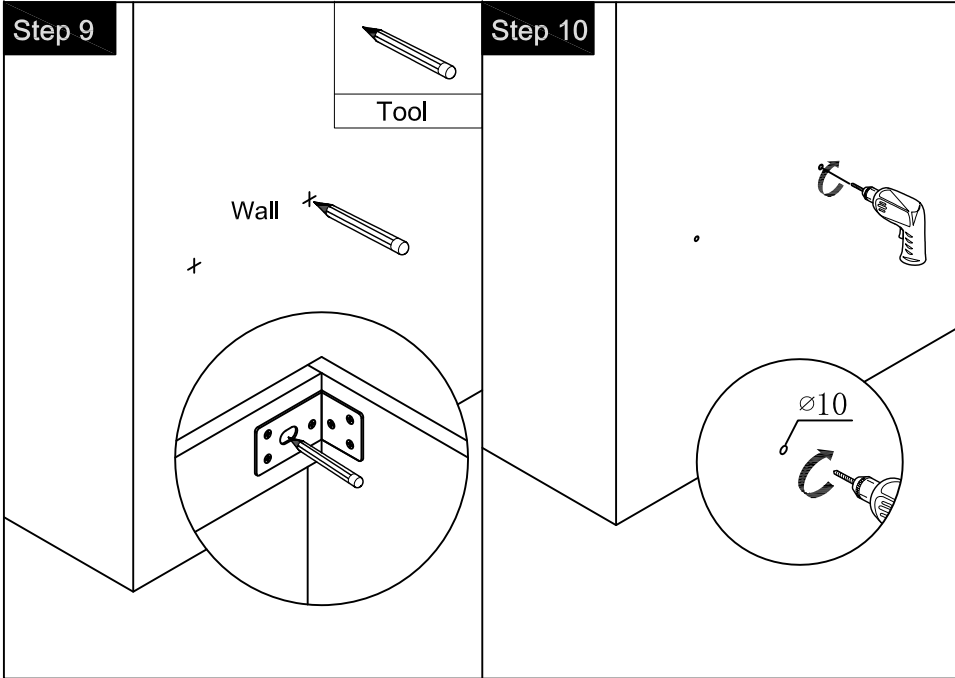
Step 12

-  x2
-  Tool

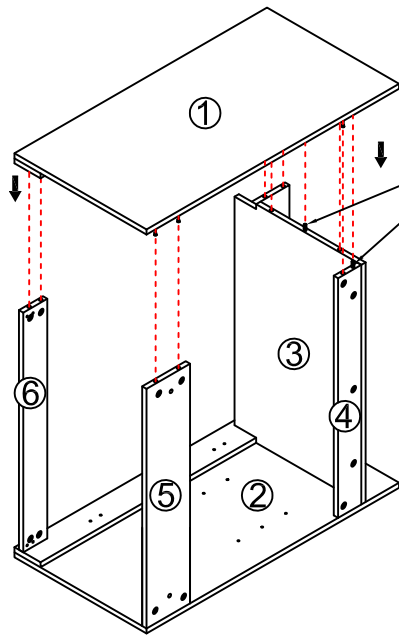


Step 13

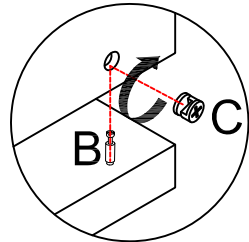




Step 5

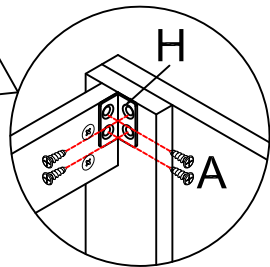
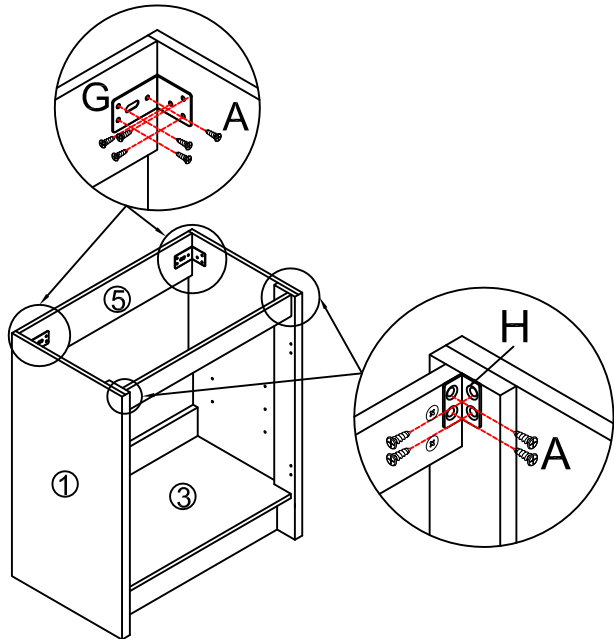


Note: The D parts are used for these two holes



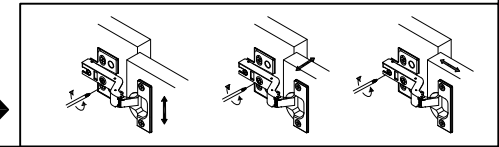
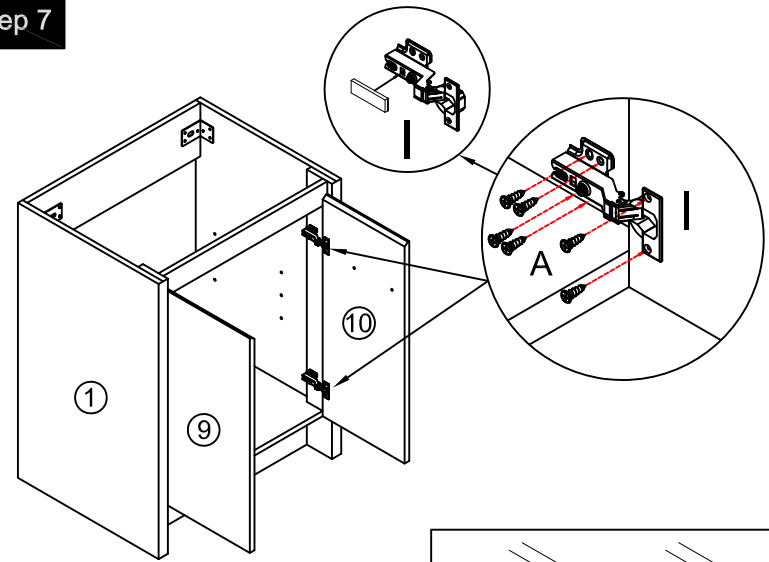
| | |
|---|----|
| | x9 |
| B | |
| | x9 |
| C | |
| | x2 |
| D | |
| | x1 |
| M | |

Step 6



| | |
|--|------|
| | x2 |
| G | |
| | x2 |
| H | |
| ($\varnothing 4 \times 14\text{mm}$) | |
| | x20 |
| A | |
| | Tool |

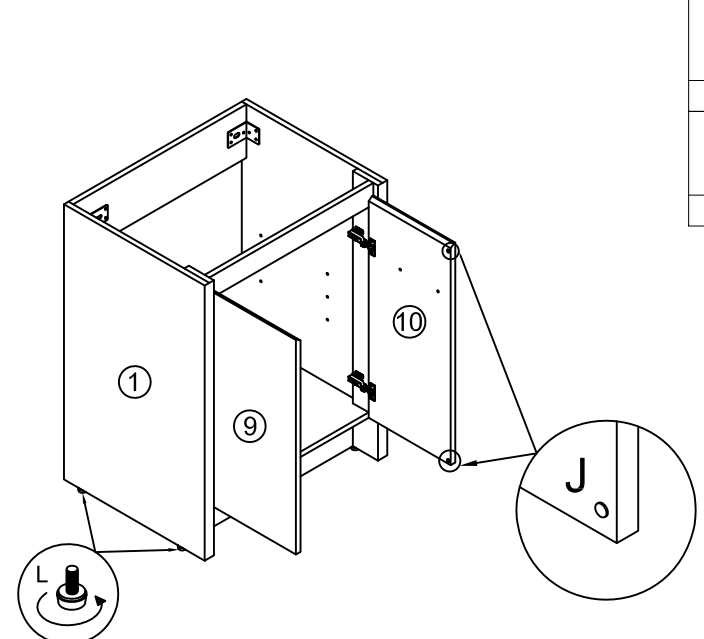
Step 7



You can adjust the doors by tightening or loosening the screws on the hinge. →

| | |
|--|------|
| | x4 |
| I | |
| ($\varnothing 4 \times 14\text{mm}$) | |
| | x24 |
| A | |
| | Tool |

Step 8



Note: Install and adjust the level screws

| | |
|---|----|
| | x4 |
| J | |
| | x4 |
| L | |