

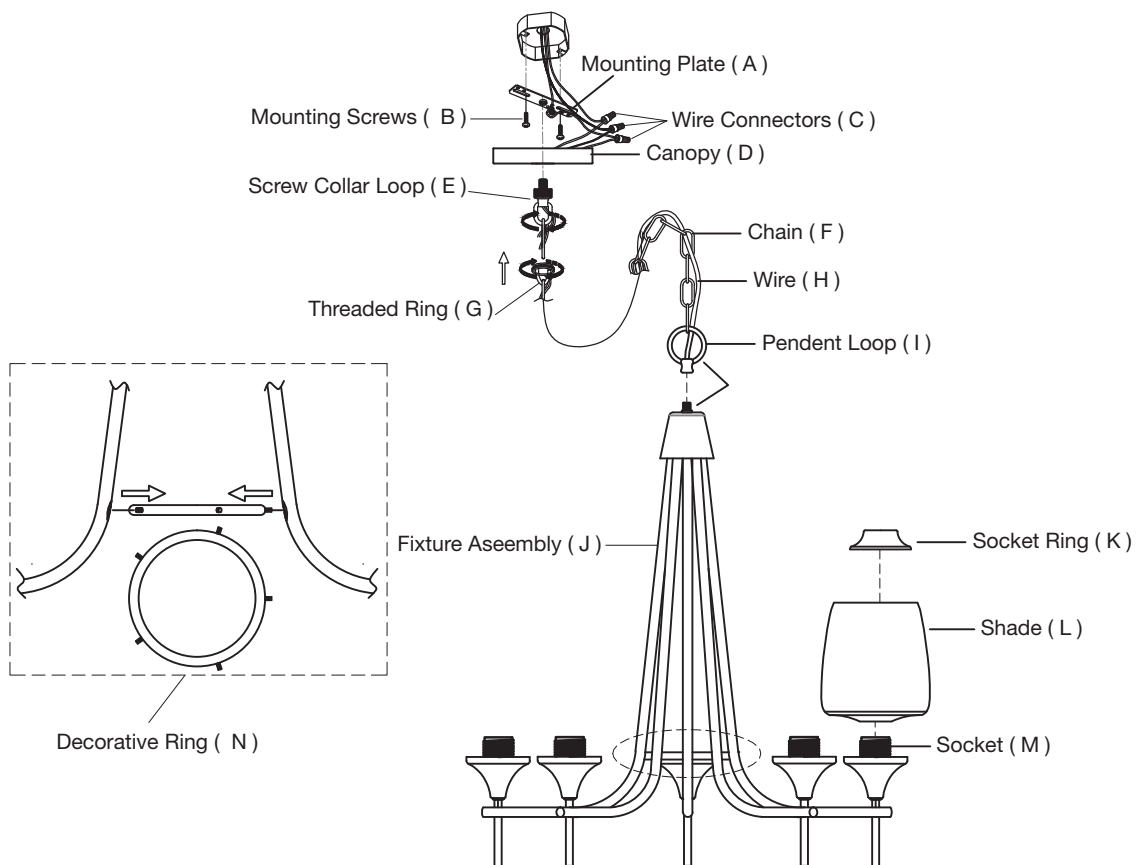
IMPORTANT SAFETY INSTRUCTIONS

- To avoid injury or damage, mount only on a surface that is sturdy.
- To avoid electric shock, make sure electricity is turned off at the main circuit breaker panel. If you are replacing an existing fixture, turn off the following in order: fixture, wall switch, and main fuse or breaker box. Note: Some types of fuses must be unscrewed to shut the power off.

* **Connect the ground wire (bare copper or green) from your fixture to the ground wire (copper or green) or ground screw in the electrical outlet box.**

* **Unpack the Fixture:** Check the contents of the box. Box should contain all items below.

* **We highly recommend that this chandelier is installed by two people.**

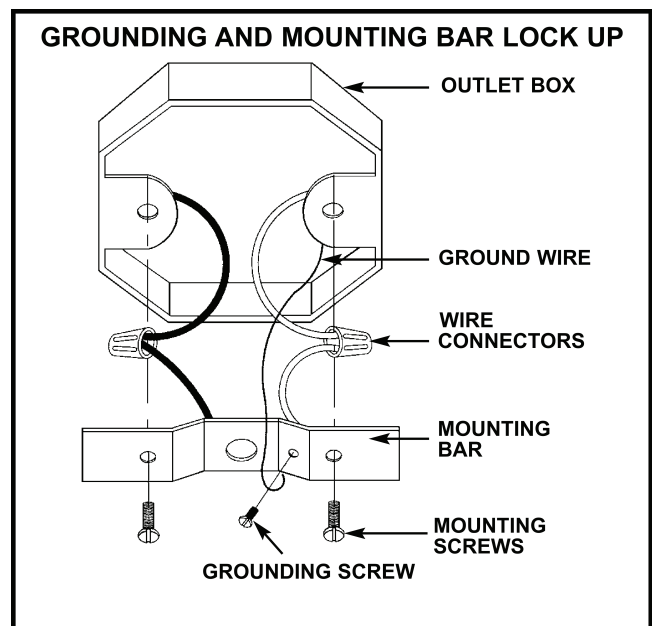
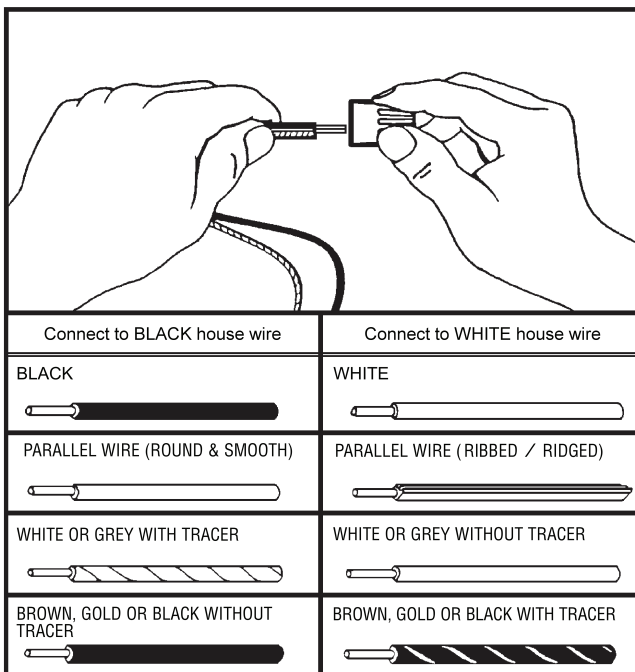


Assembly:

- 1 Attach Pendant Loop (I) to top of Fixture Assembly (J).
- 2 Spread out arms evenly on Fixture Assembly (J) and secure in place with Decorative Ring (N) by securing notches into holes in each arm.

Installation:

- 1 Fasten Mounting Plate (A) to the junction box using Mounting Screws (B) provided.
- 2 Remove Threaded Ring (G) from Screw Collar Loop (E).
- 3 Place Canopy (D) against the ceiling and adjust the Screw Collar Loop (E) along with the hex nut above it, until 3/8" of the threaded portion is visible. Remove Canopy (D) after Screw Collar Loop (E) has been properly adjusted.
- 4 Attach Pendant Loop (I) to top of Fixture Assembly (J).
- 5 Assemble one end of Chain (F) to Pendant Loop (I) by opening the chain link and closing it around Pendant Loop (I) with pliers.
- 6 Cut Chain (F) and Wire (H) to desired hanging length, leaving an additional 10" of Wire (H) beyond Chain (F).
- 7 Weave Wire (H) through every 5 links on Chain (F). Slide Threaded Ring (G) down Chain (F) ensuring the flange (raised end) is facing up. Slide Canopy (D) down Chain (F).
- 8 Attach top end of Chain (F) to Screw Collar Loop (E) by lifting Fixture Assembly (J), opening the chain link, and closing it around Screw Collar Loop (E) with pliers.
- 9 Insert Wire (H) through the hole in Screw Collar Loop (E) and nipple into the junction box.
- 10 Using the wire graph below, connect the appropriate fixture wires with Wire Connectors (C) provided. Place all wires and connectors back into the junction box.



- 11 Slide Canopy (D) up Chain (F) and place it against the ceiling. Slide Threaded Ring (G) up Chain (F) and screw it onto Screw Collar Loop (E), holding Canopy (D) in place.

12 Place Shade (L) on Socket (M) and secure in place with Socket Ring (K).

13 Attach light bulbs (not included).

Enjoy your new fixture!