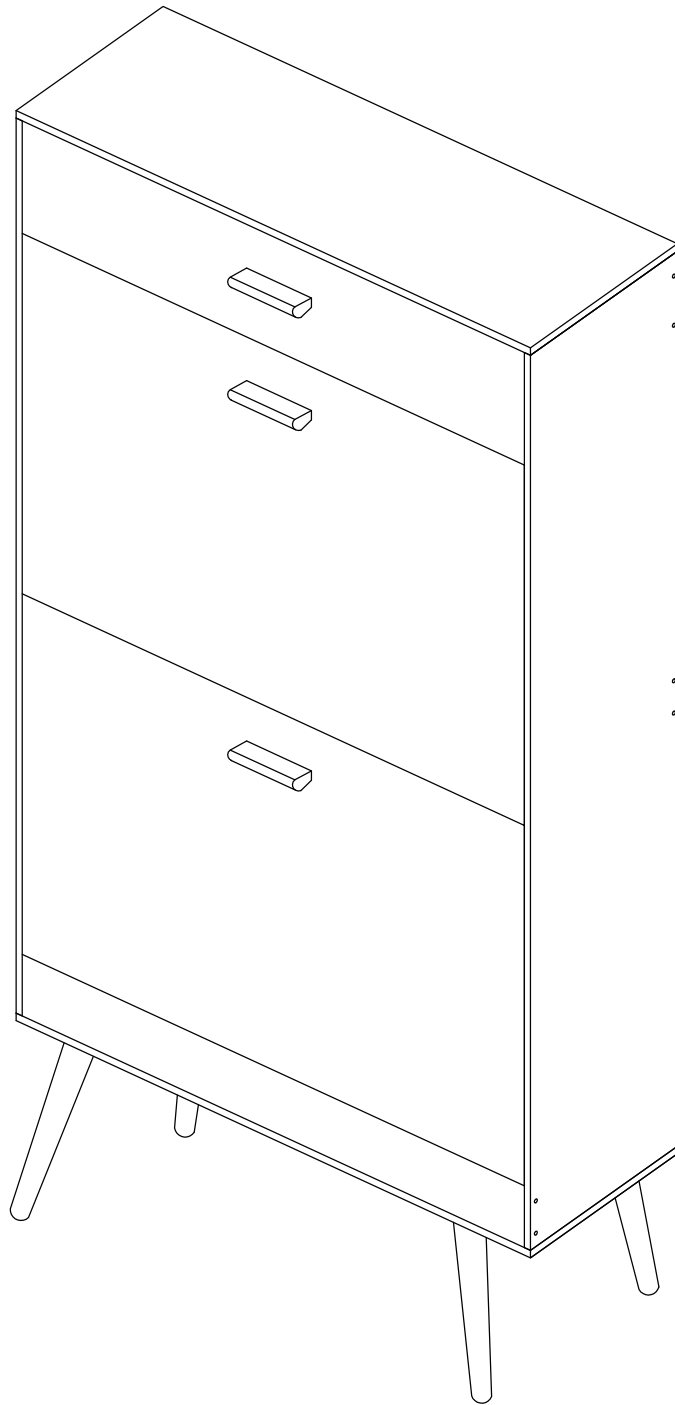
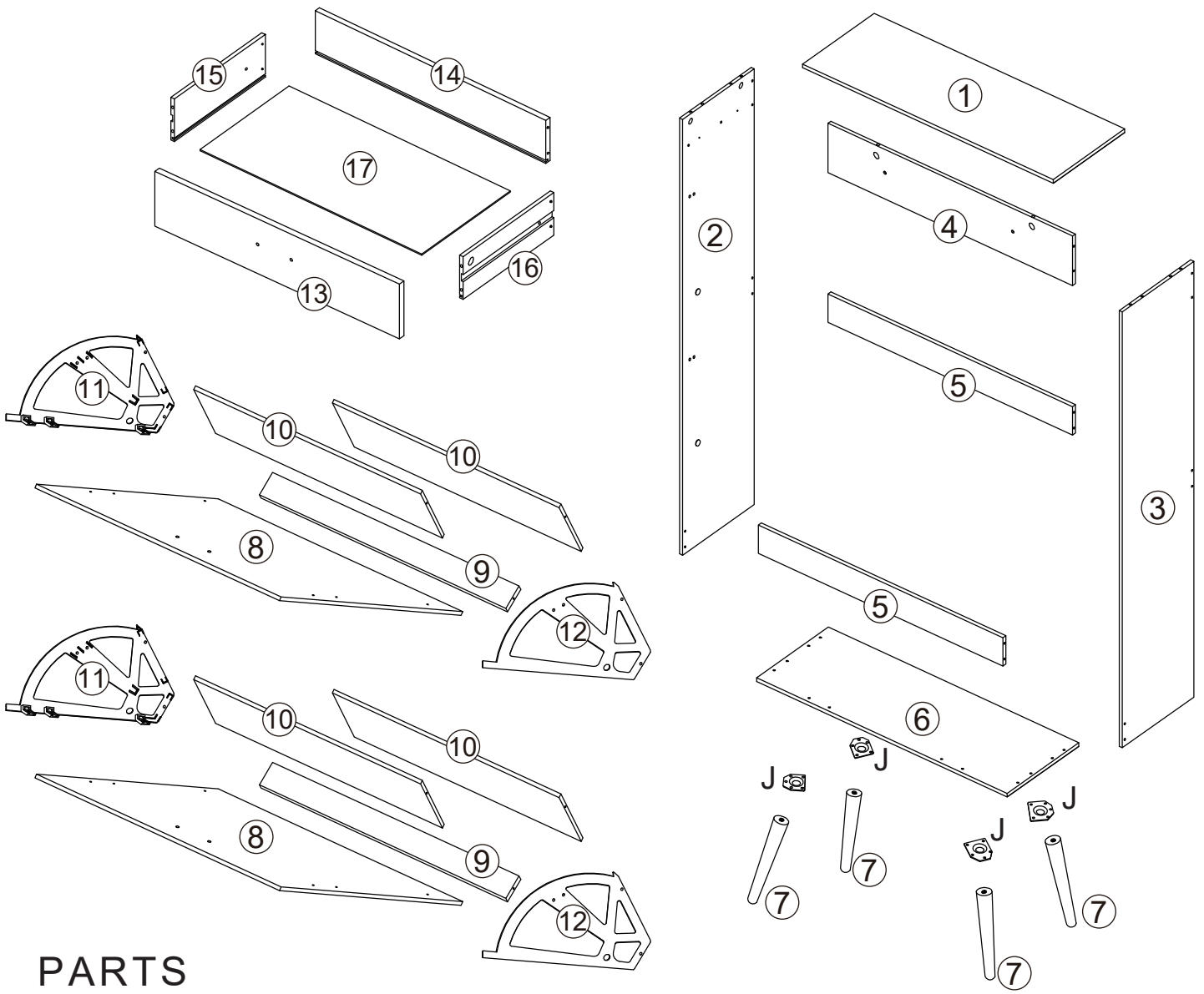
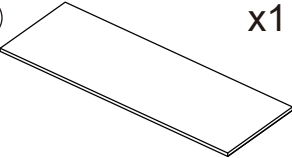
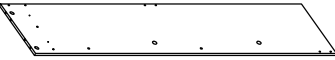
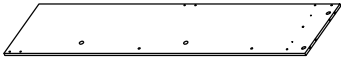
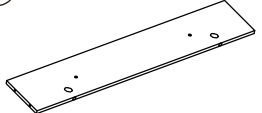
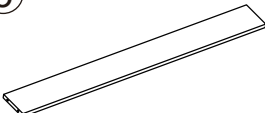
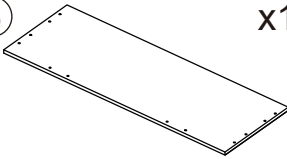


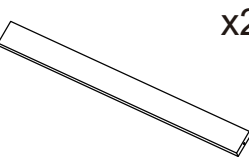
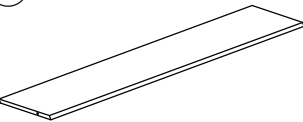
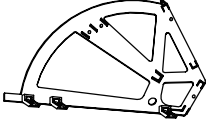
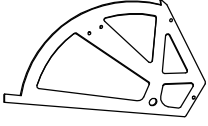
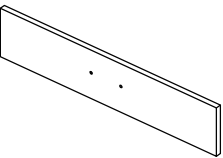
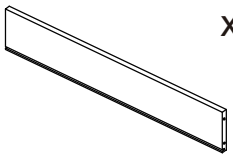
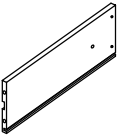
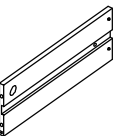
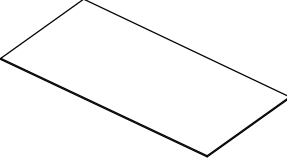


ASSEMBLY INSTRUCTION

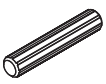
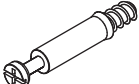

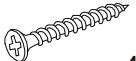
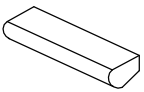




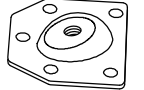



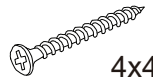







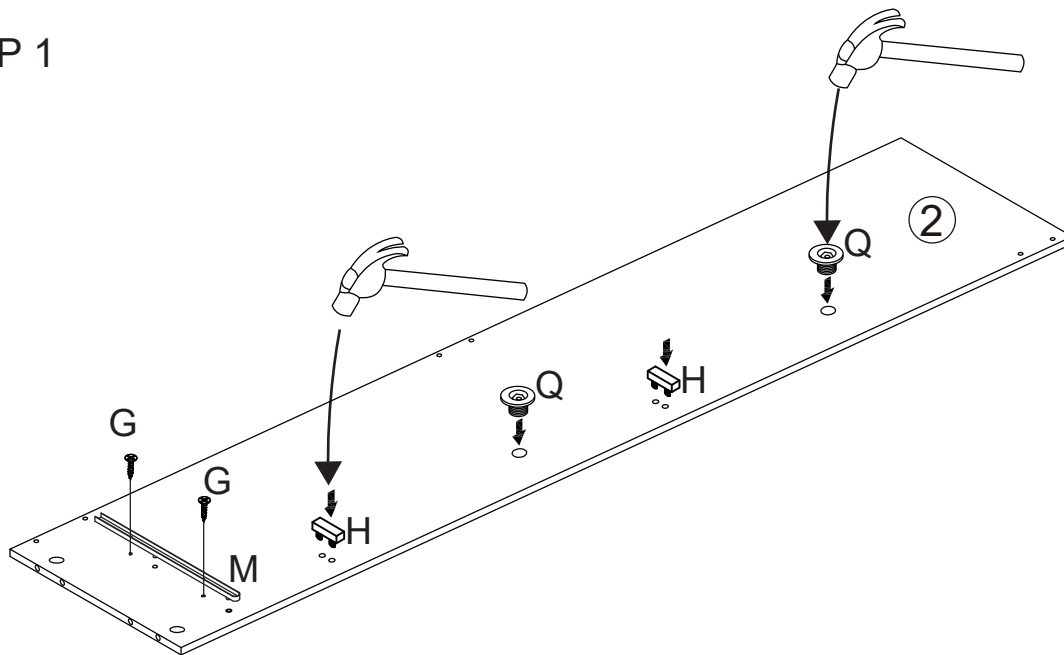
PARTS





①  x1	②  x1	③  x1	④  x1
⑤  x2	⑥  x1	⑦  x4	⑧  x2
⑨  x2	⑩  x4	⑪  x2	⑫  x2
⑬  x1	⑭  x1	⑮  x1	⑯  x1
⑰  x1			

HARDWARE

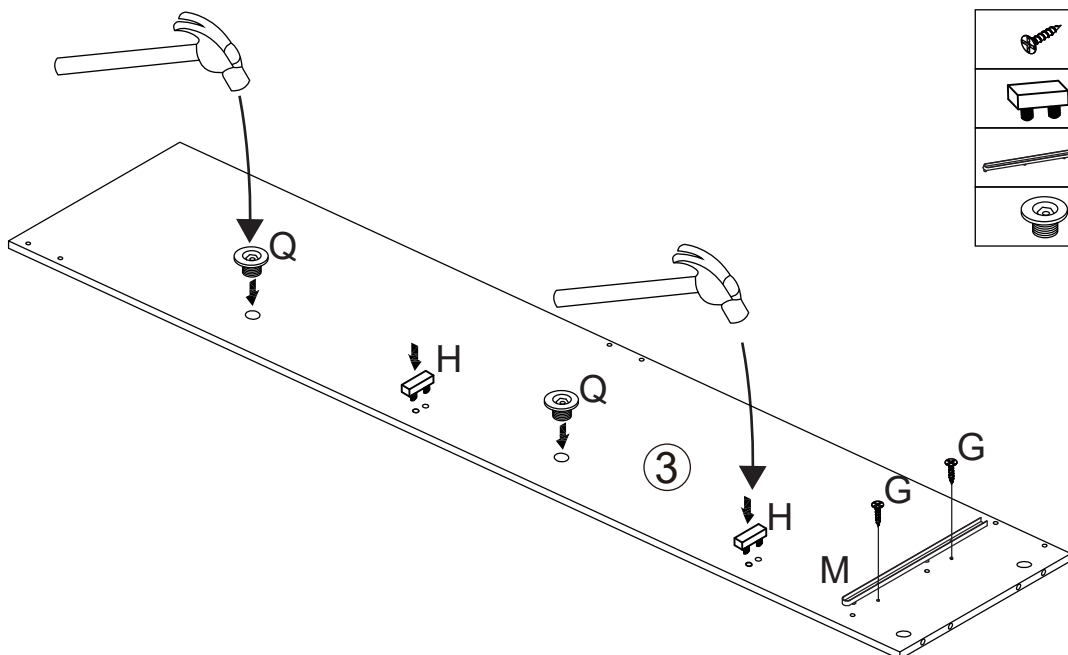
(A)  x12 +1(spare)	(B)  x 8 +1(spare)	(C)  x 8 +1(spare)	(D)  x22 +2(spare) 4x35mm
(E)  x3	(F)  x 6 4x25mm	(G)  x28 +2(spare) 3.5x14mm	(H)  x 4
(I)  x 4	(J)  x 4	(K)  x20 +2(spare) 4x12mm	(L)  x 2
(M)  x 2	(N)  x 2 4x40mm	(O)  x 2	(P)  x 4 4x10mm
			(Q)  x 4





STEP 1



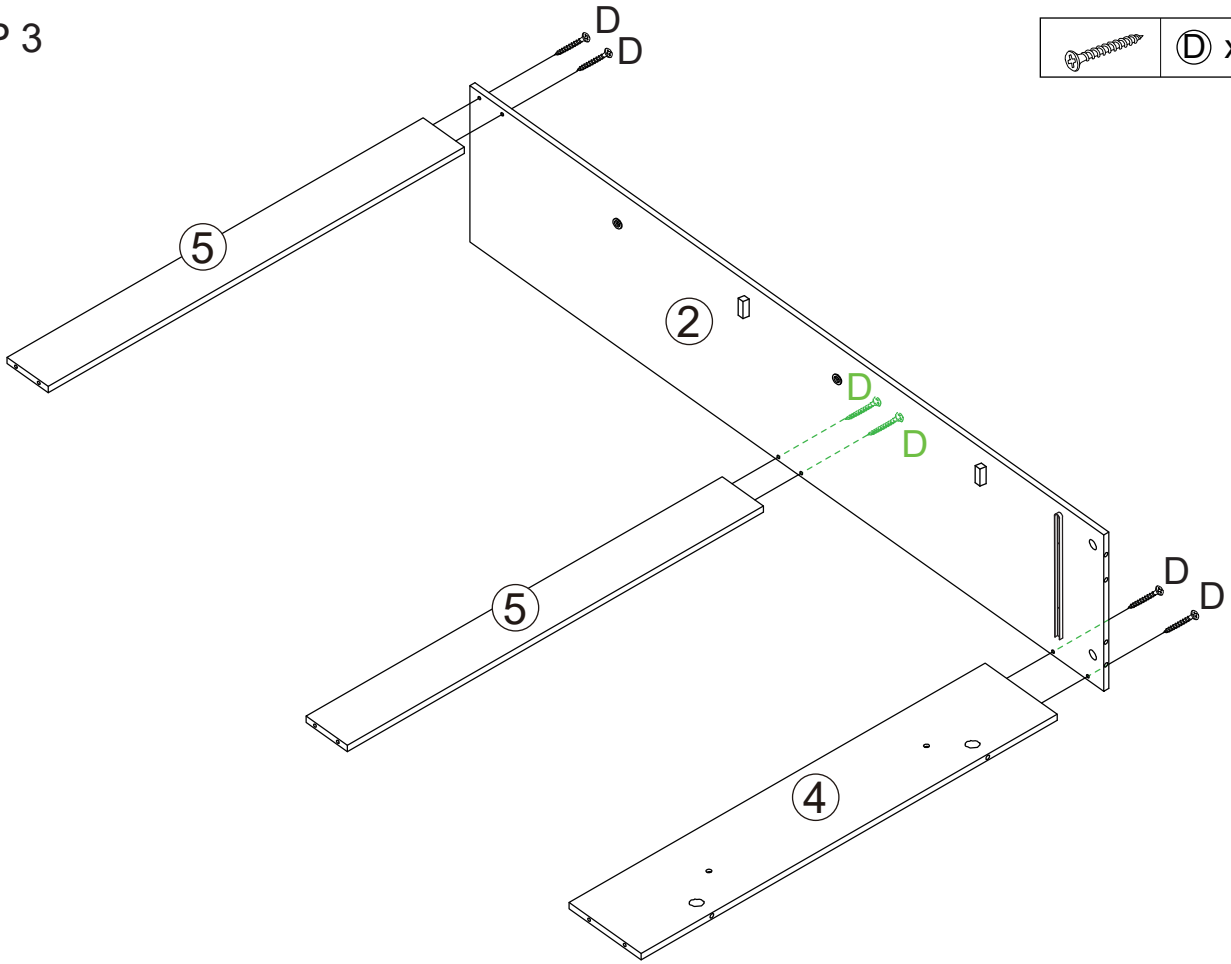
	(G) x 2
	(H) x 2
	(M) x 1
	(Q) x 2

STEP 2

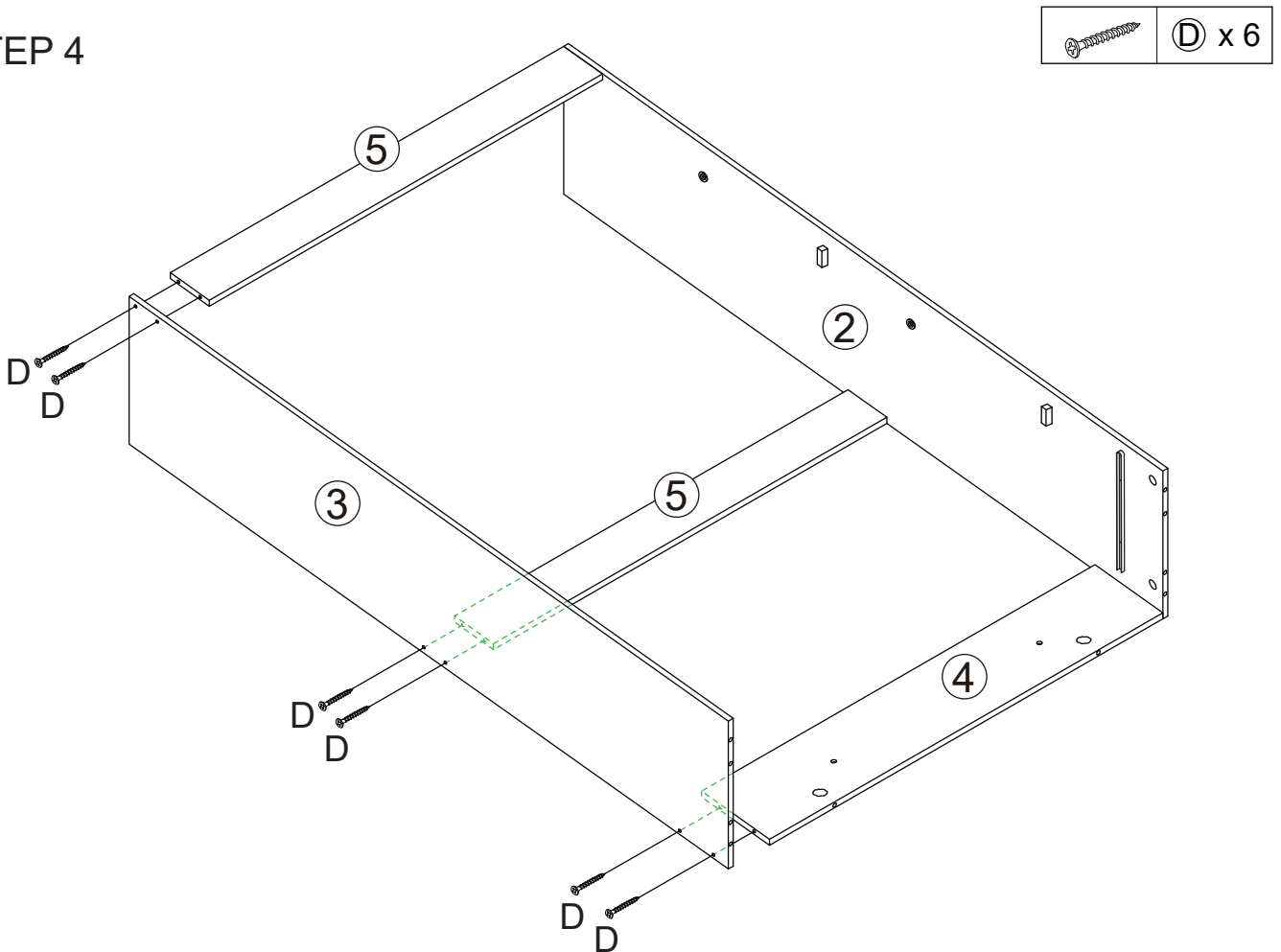


	(G) x 2
	(H) x 2
	(M) x 1
	(Q) x 2

STEP 3

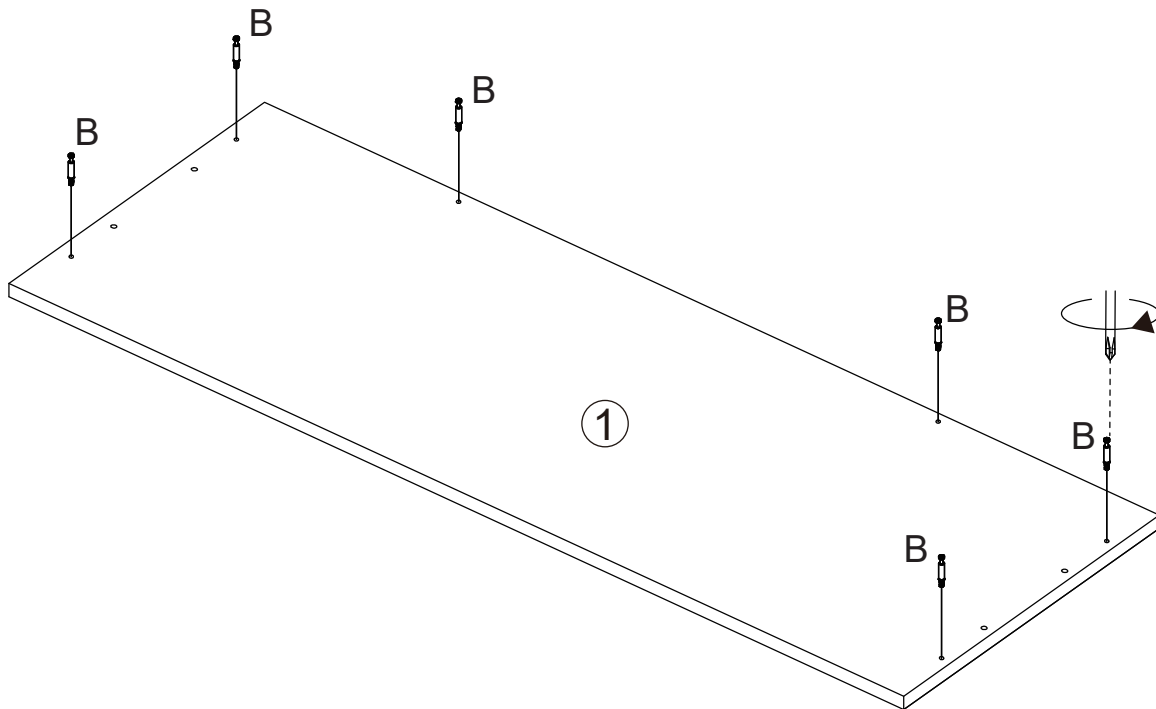


STEP 4





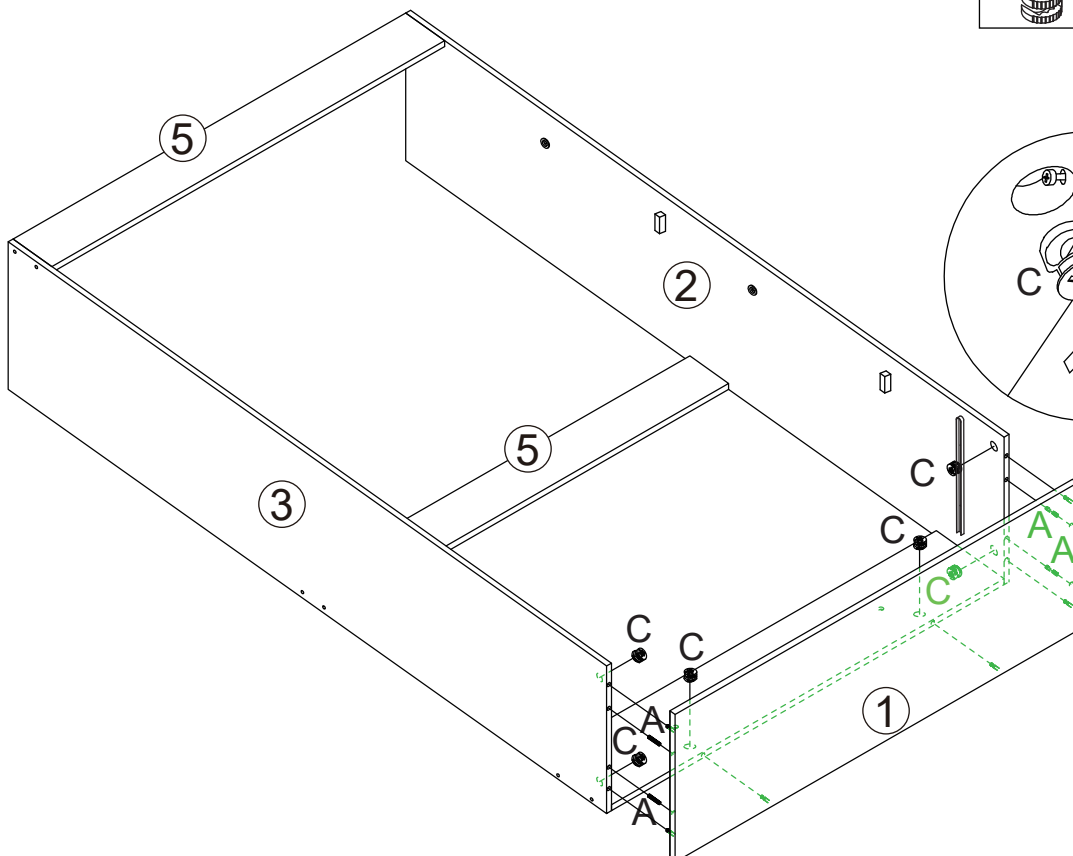
STEP 5

	(B) x 6
-------------------------------------------------------------------------------------	---------






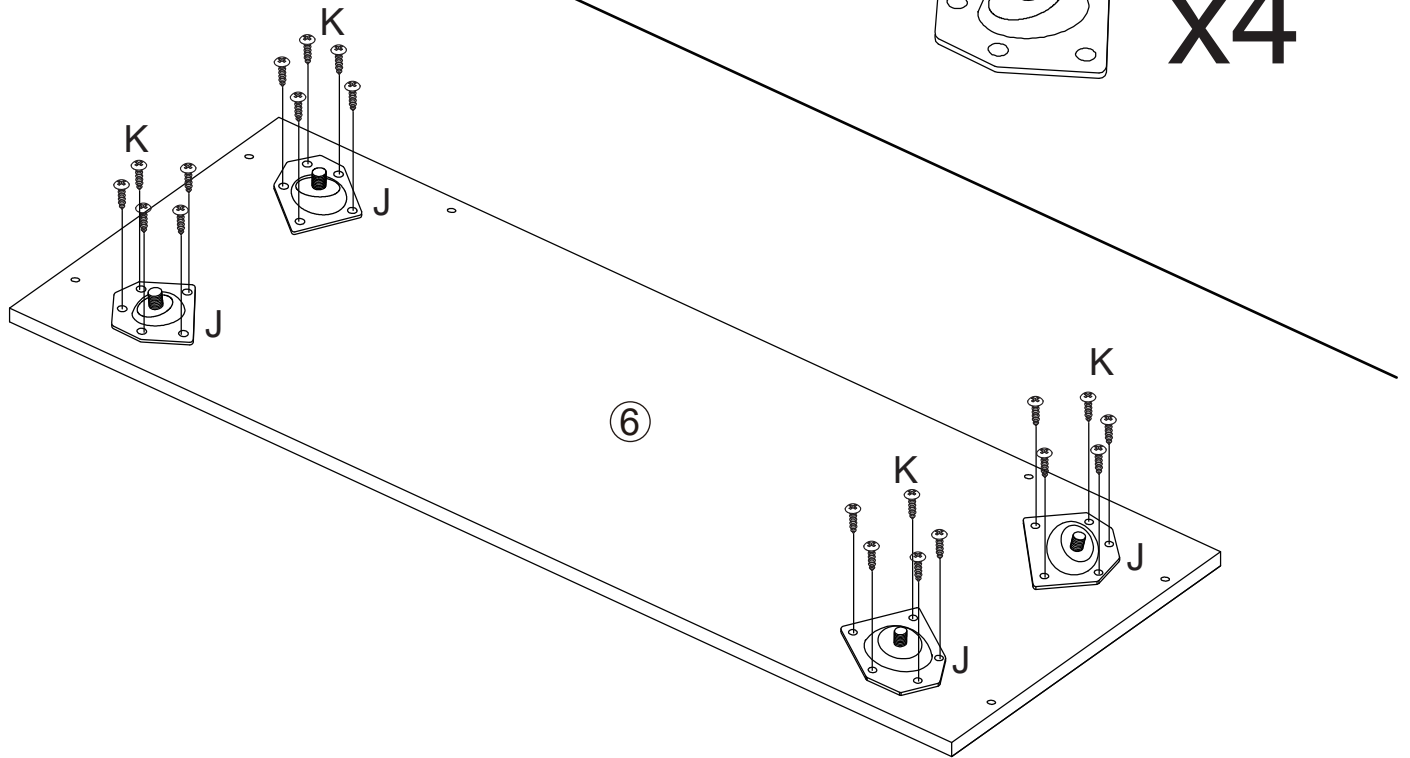
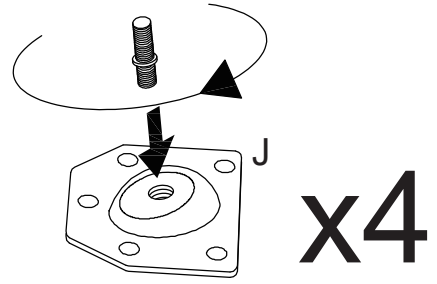
STEP 6

	(A) x 4
	(C) x 6

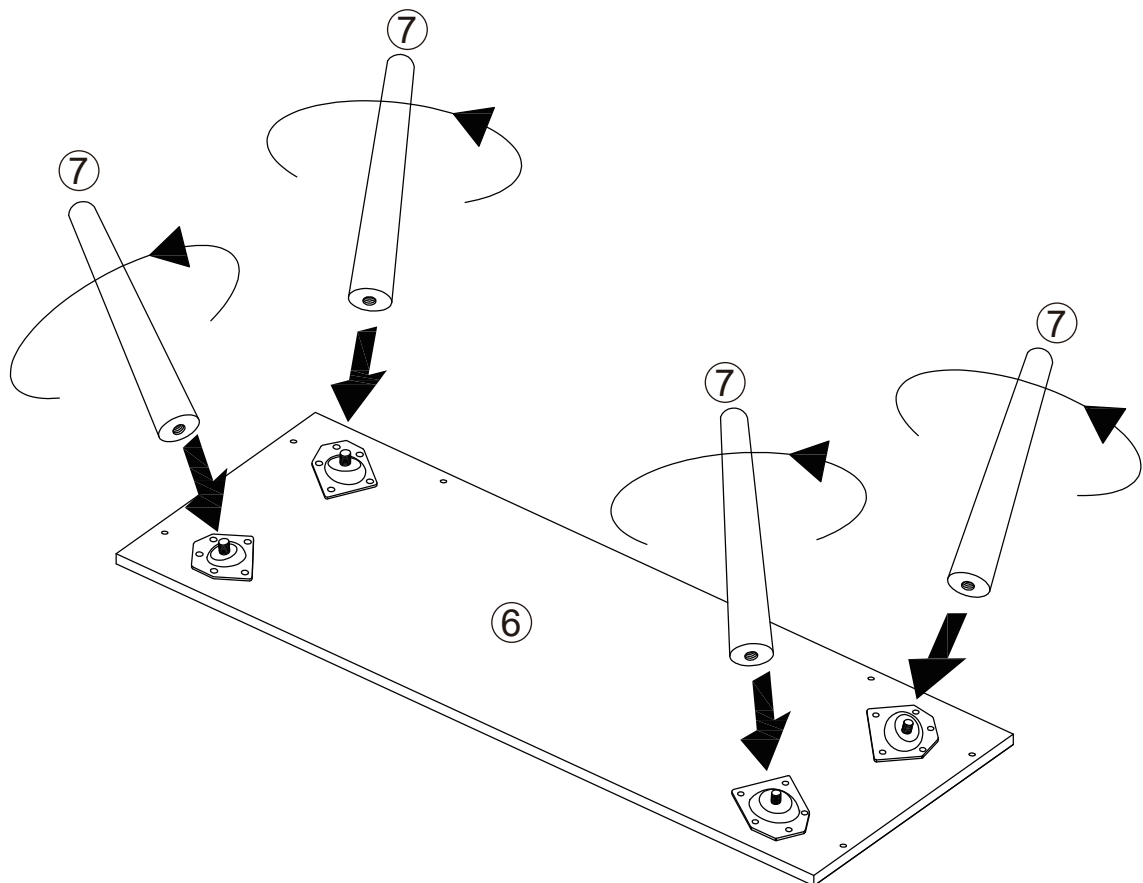


STEP 7

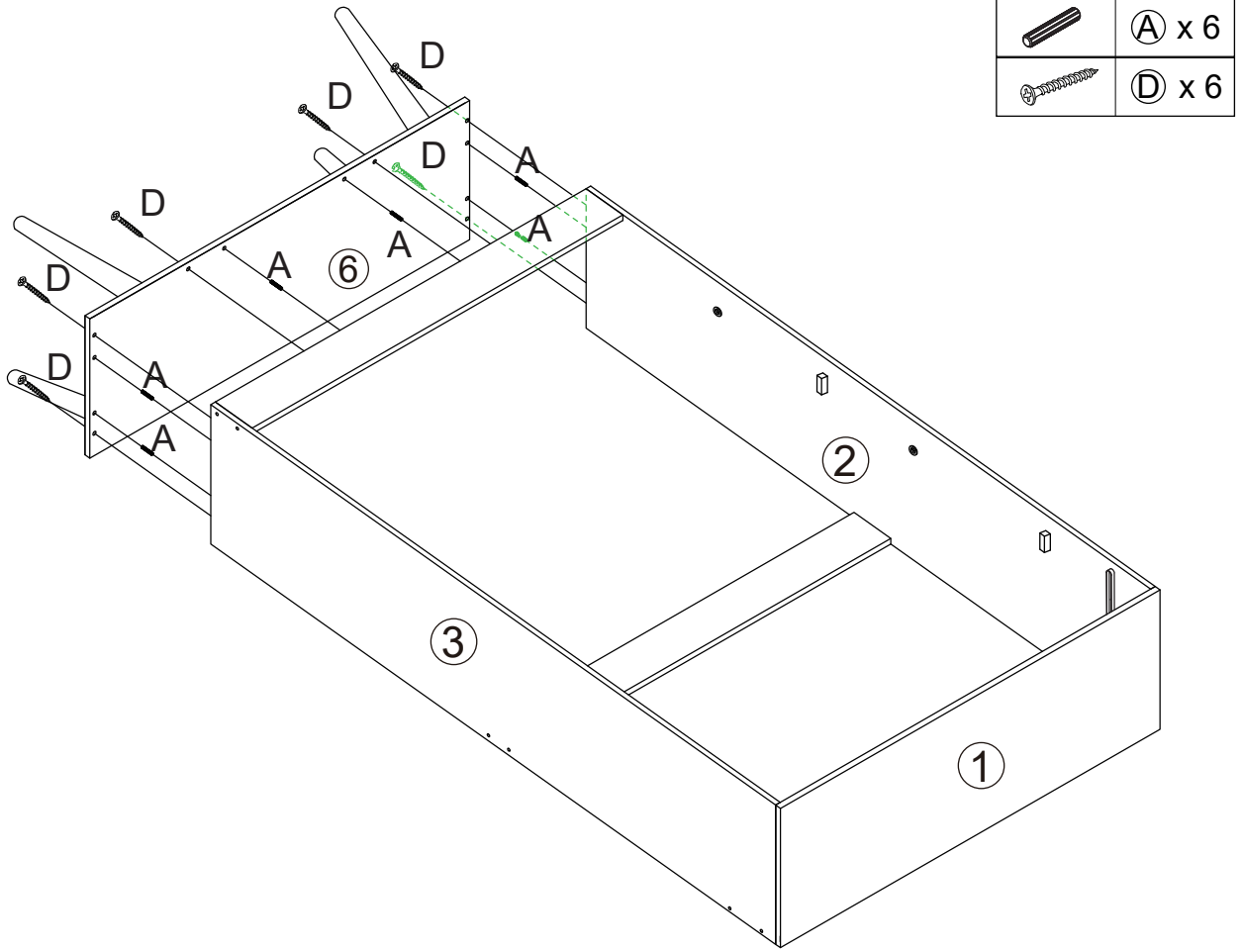
		J x 4
		K x 20



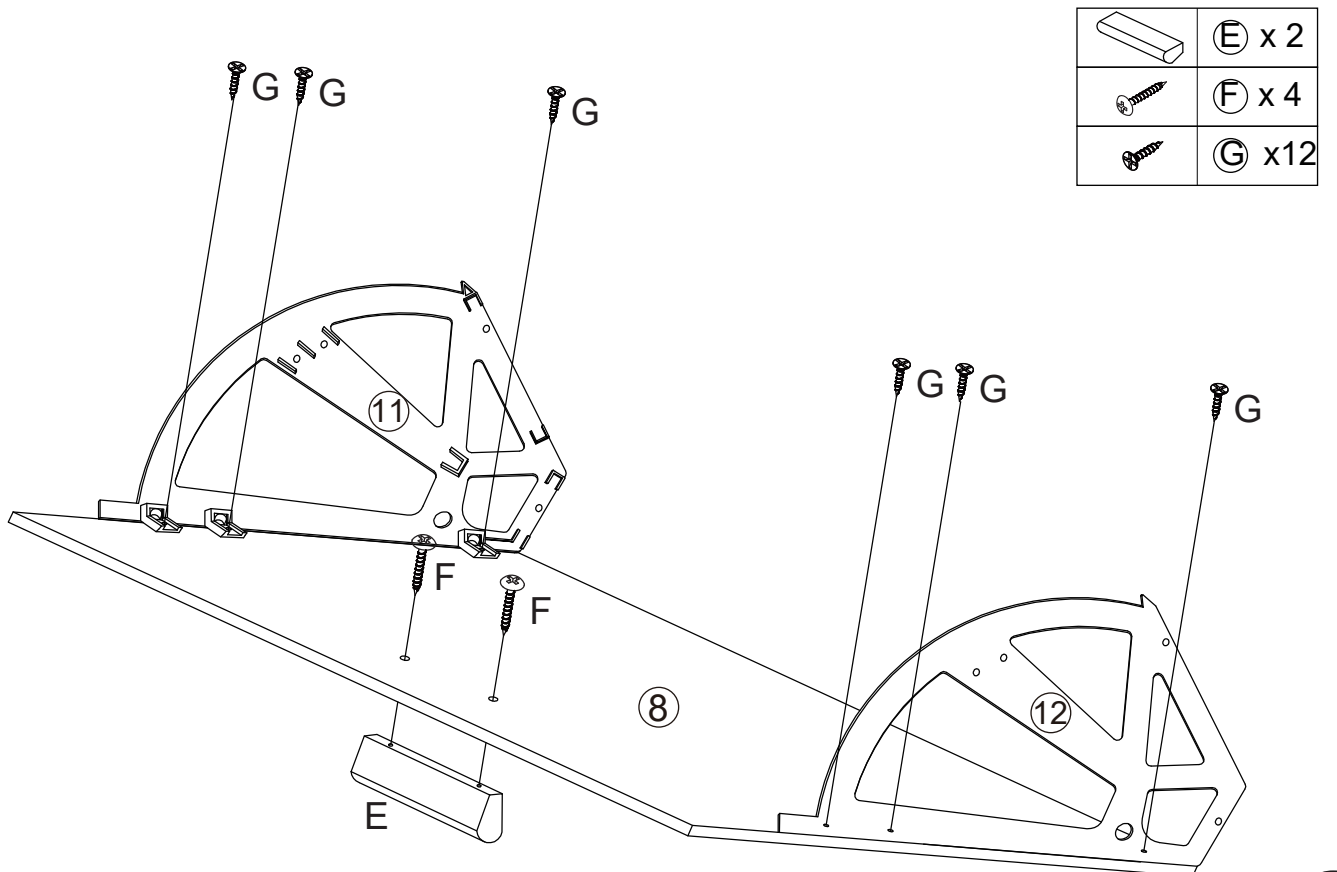
STEP 8



STEP 9

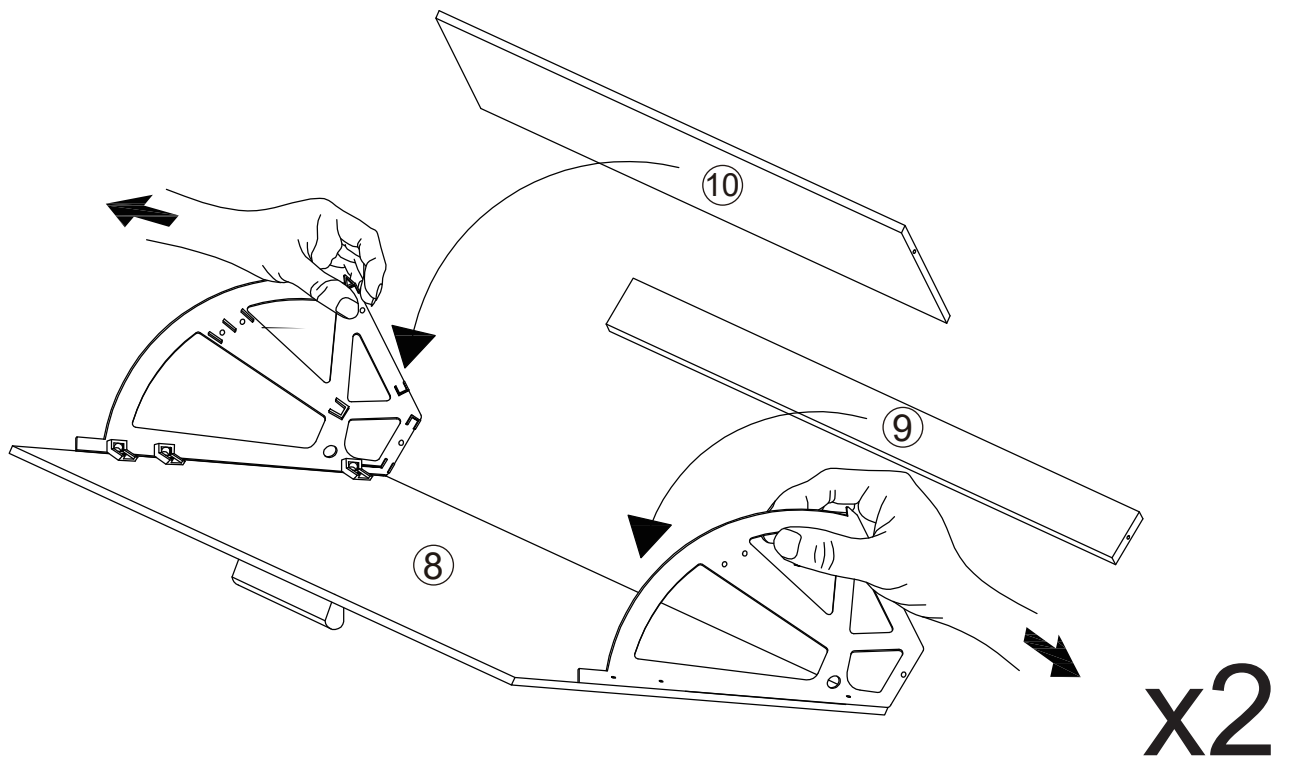


STEP 10

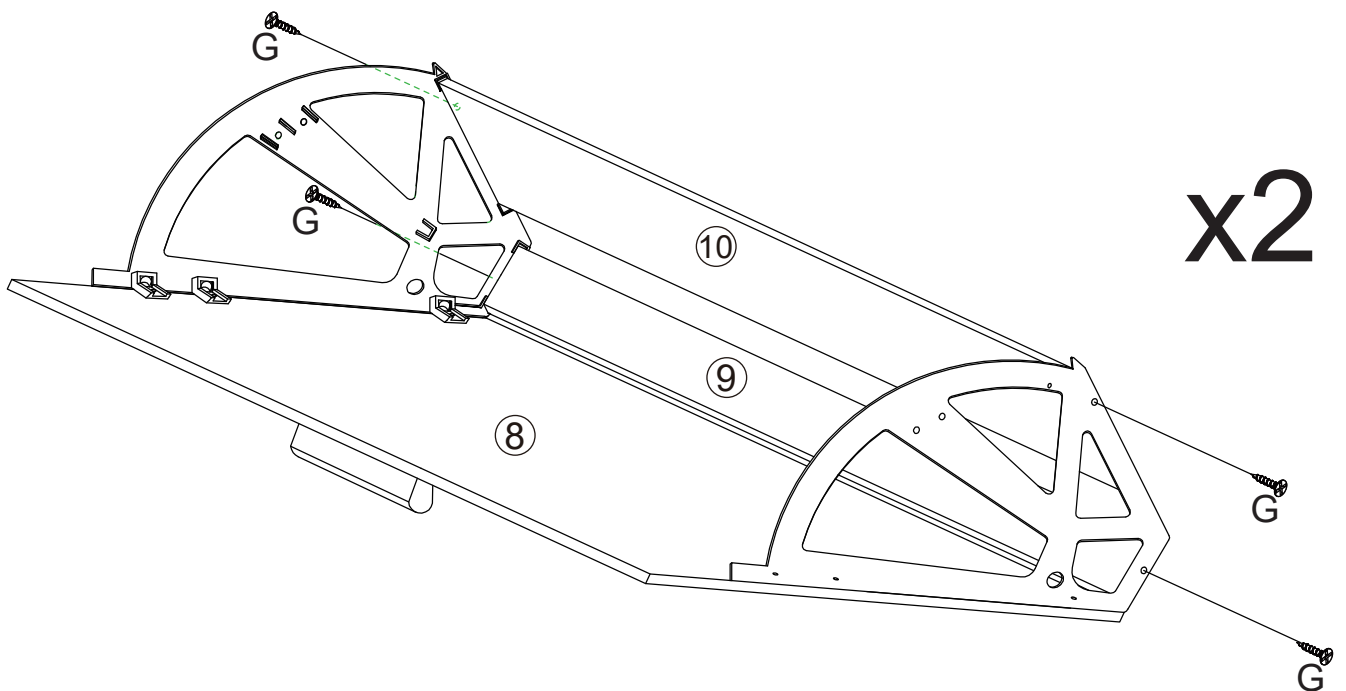
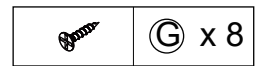


x2


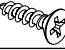
STEP 11

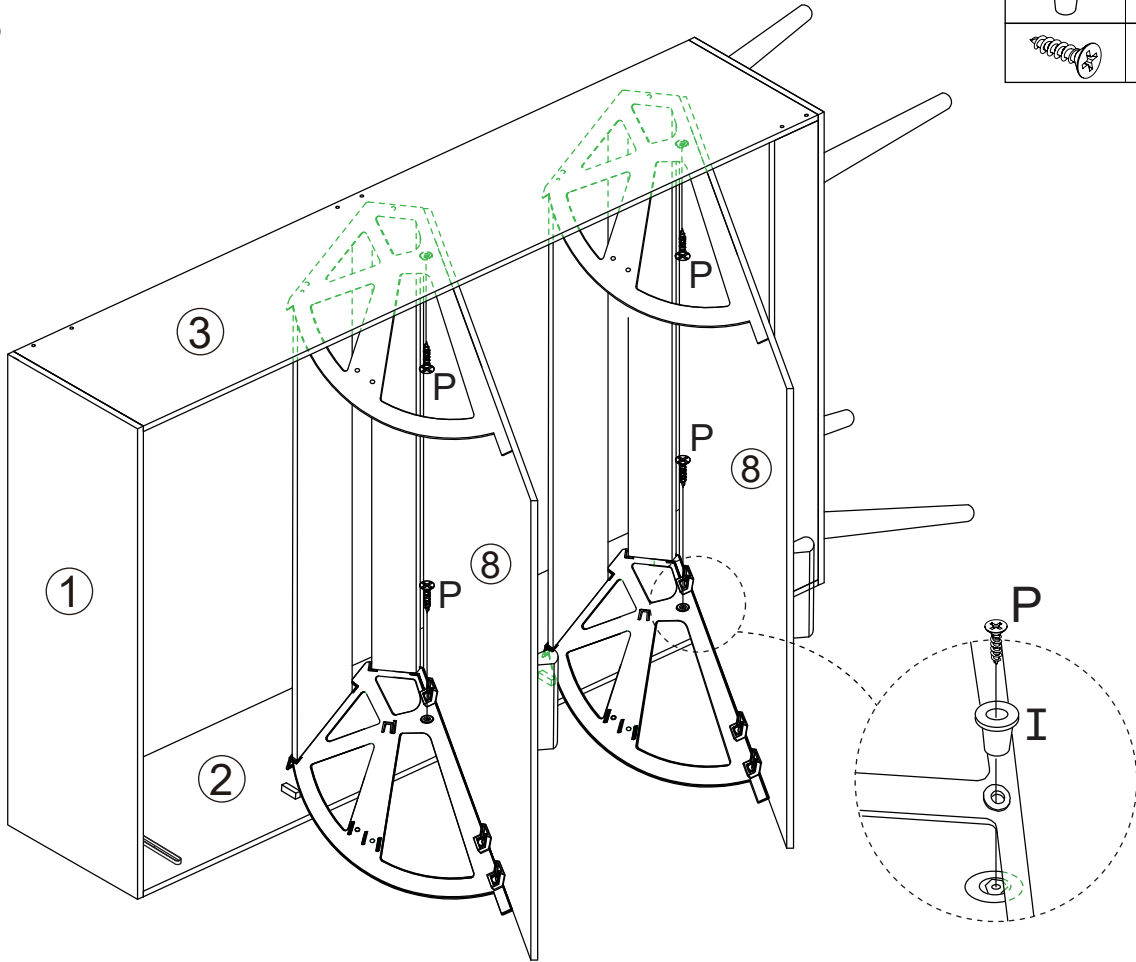


STEP 12

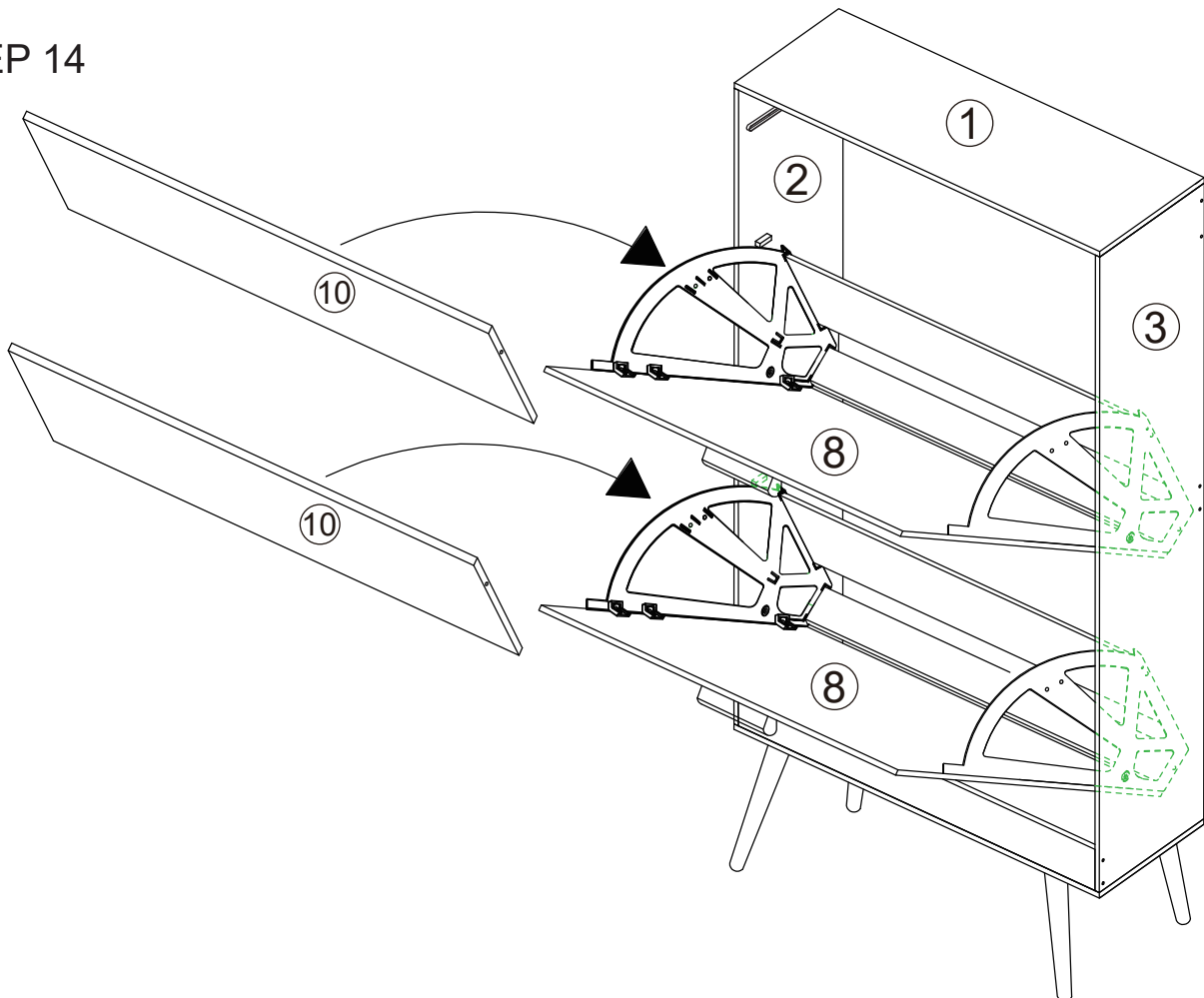


STEP 13

	I x 4
	P x 4

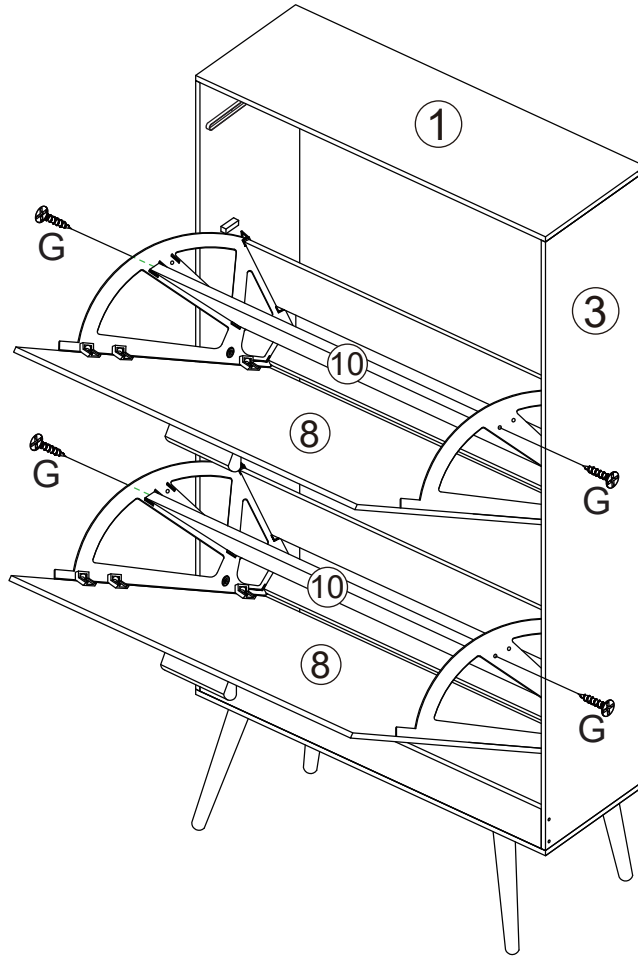


STEP 14





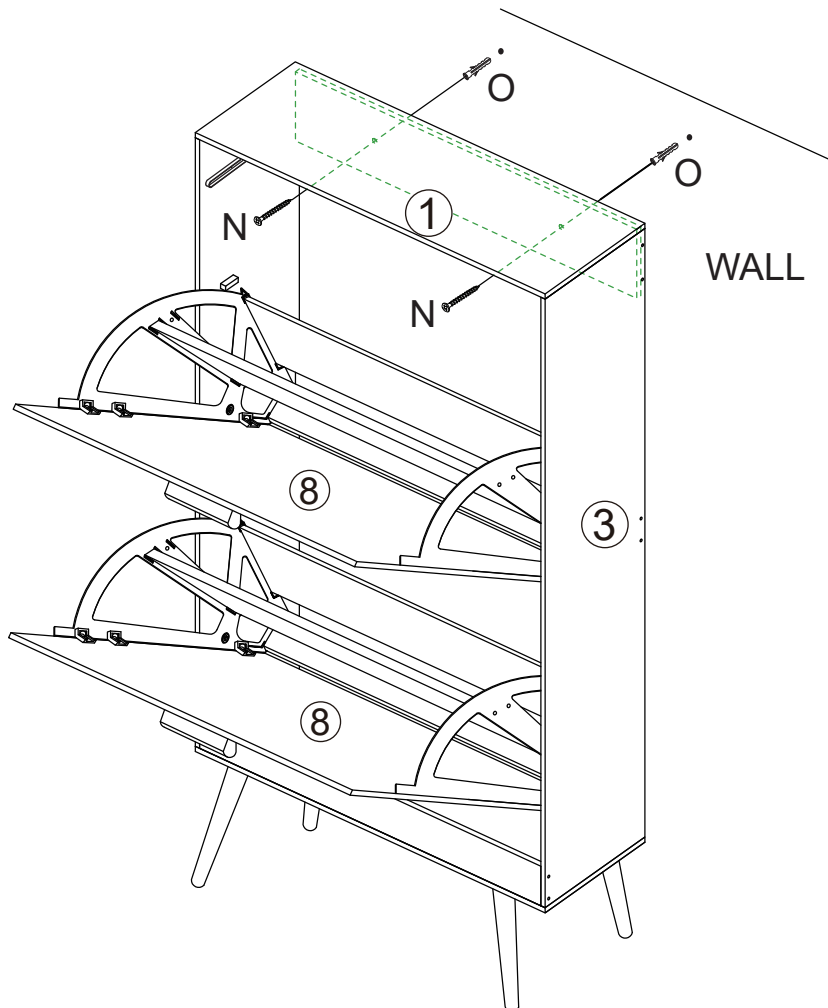
STEP 15

	G x 4
-------------------------------------------------------------------------------------	-------




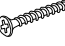




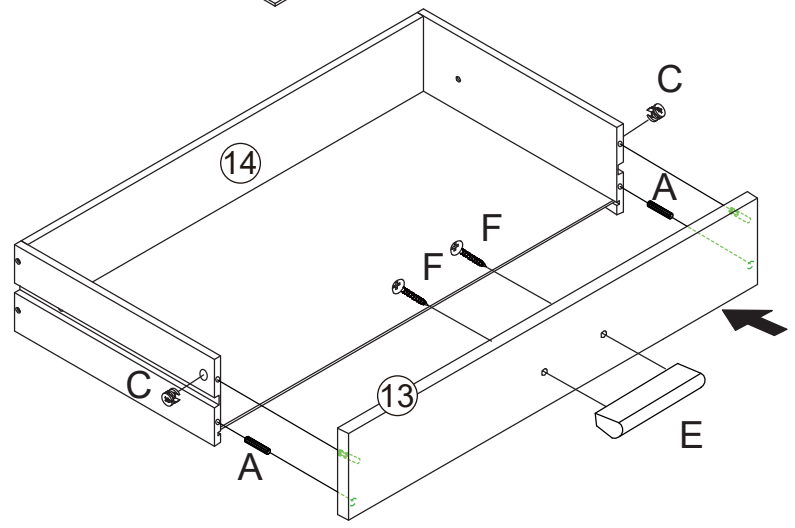
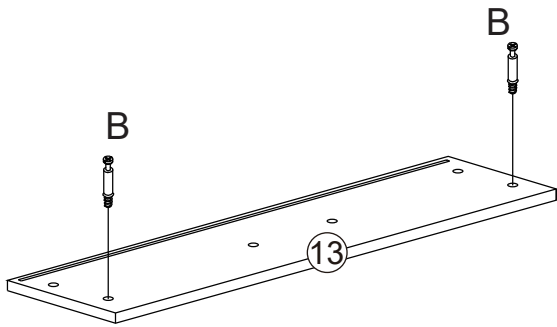
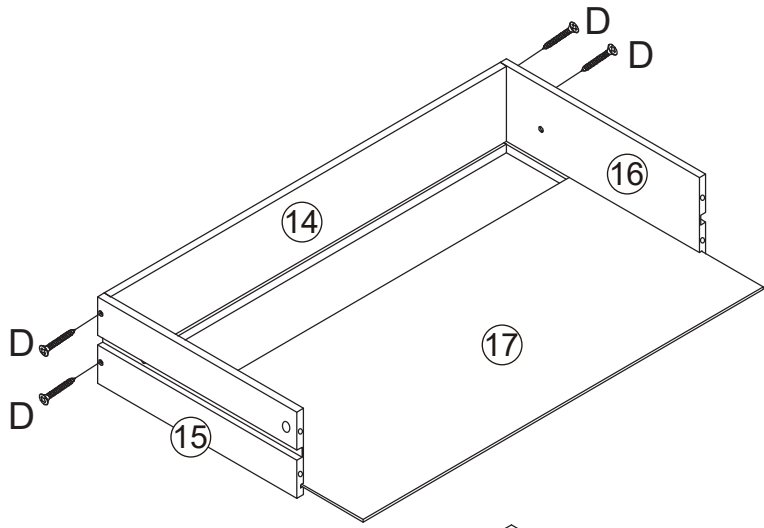
STEP 16


	N x 2
	O x 2

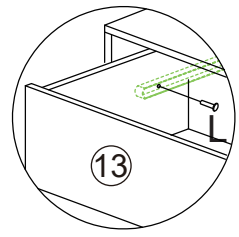
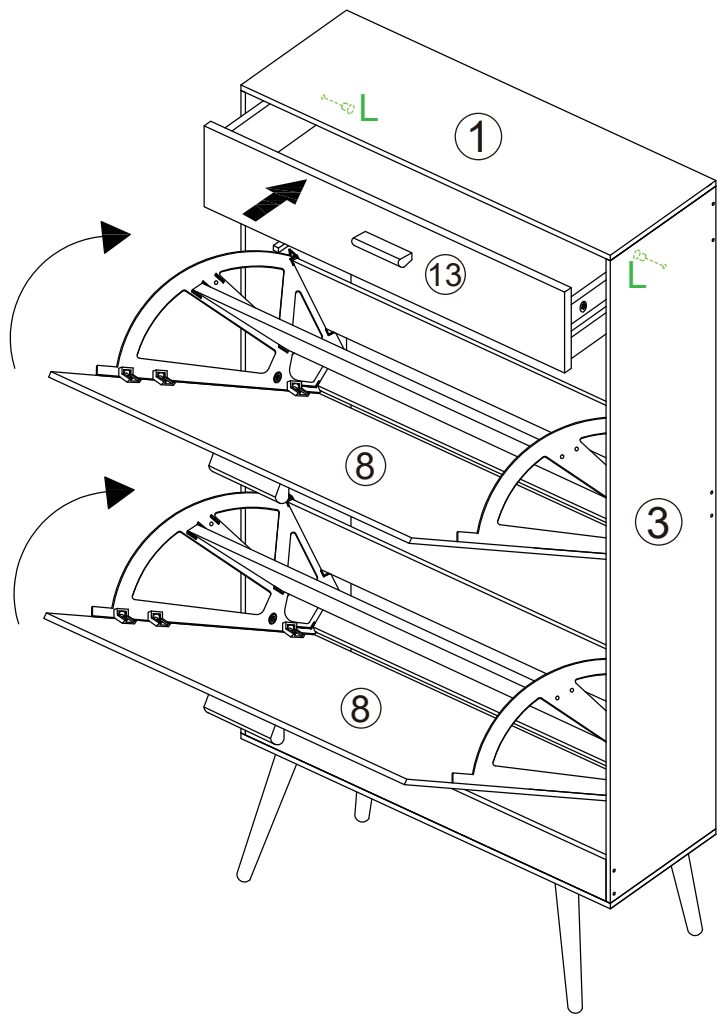


STEP 17

	Ⓐ x 2
	Ⓑ x 2
	Ⓒ x 2
	Ⓓ x 4
	Ⓔ x 1
	Ⓕ x 2



	Ⓛ x 2
---------------------------------------------------------------------------------------	-------



STEP 17

