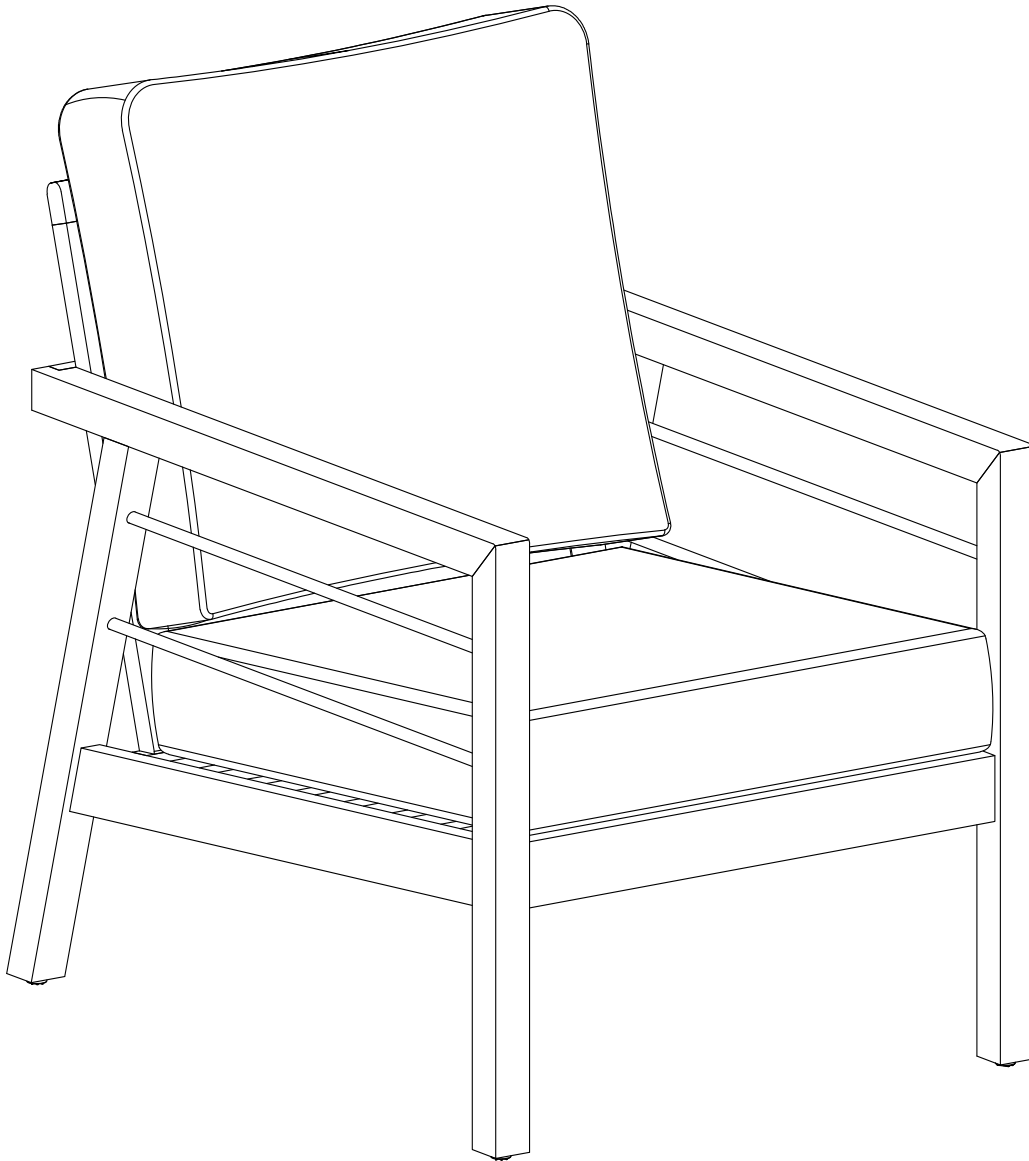


Assembly Instructions

CAUTION: You must read this Assembly Instructions before you proceed.

Please look under the Seat Panel for hardware pack.

CHAIR



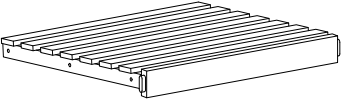
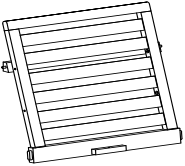
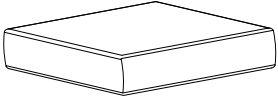
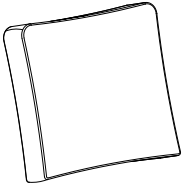


CAUTION : This Chair is NOT a TOY.

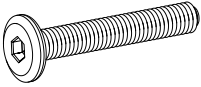
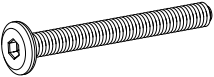



Keep your child / children at bay in the process of assembly.

For turning the Chair and to prevent damage to the Chair, 02 persons may be needed to execute this action.

Parts List

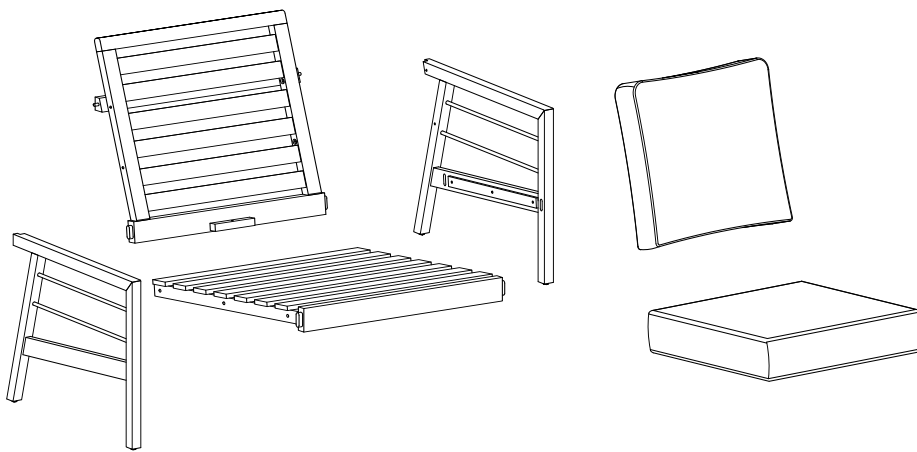
Label	Picture	Description	QTY
A		Left Side Panel	1
B		Right Side Panel	1
C		Seat Panel	1
D		Backrest Panel	1
E		Seat Cushion	1
F		Back Cushion	1

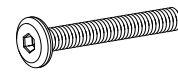
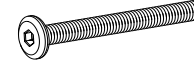
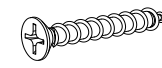

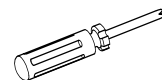
Hardware

Label	Picture	Description	QTY
①		Short Bolt (M6x40x15mm)	7
②		Long Bolt (M6x55x15mm)	5
③		Self Tapping Screws (M4x 35mm)	2
④		Allen Wrench (K4)	2
⑤		Screwdriver (not provided)	1

Assembly Preparation

Before Beginning Assembly:



-  x7
-  x5
-  x2
-  x2
-  x not provided



- Read instructions, cover to cover-



- Have 2 adults on hand for assembly-



- Do not assemble on flooring or carpet-



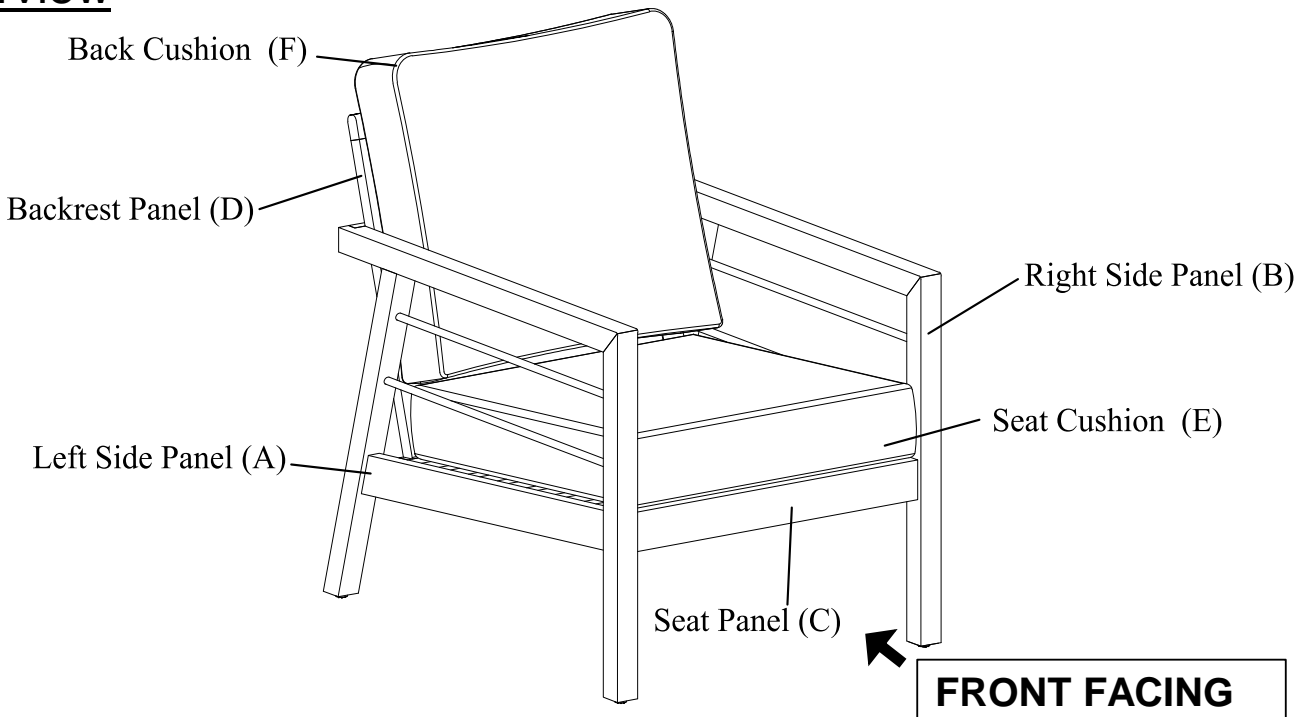
- Assemble on a clean non-marring surface (packing foam)-



- Save all packaging until finished-

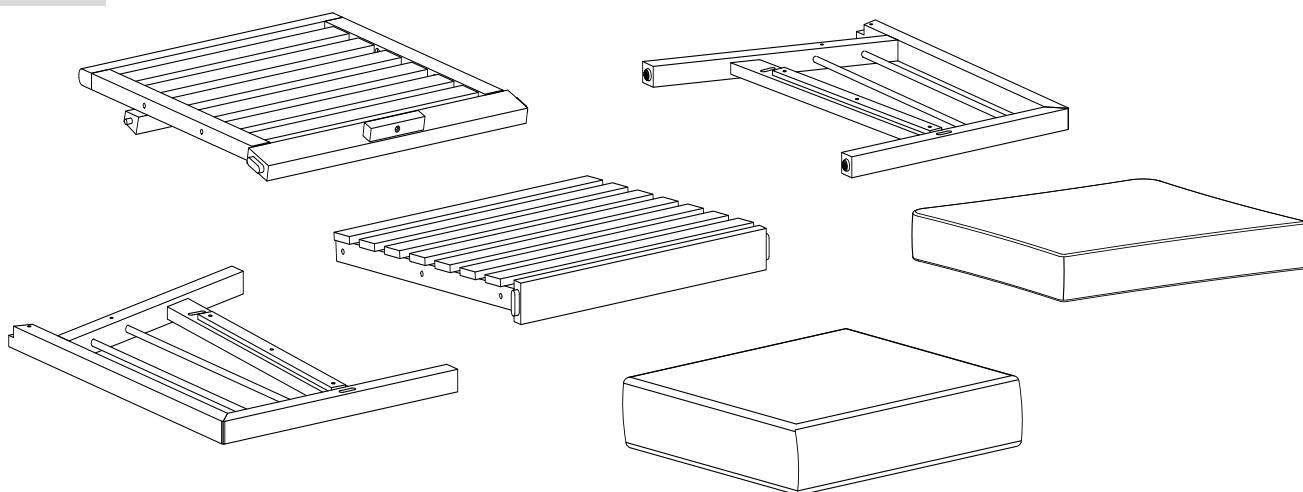
Assembly steps

Overview



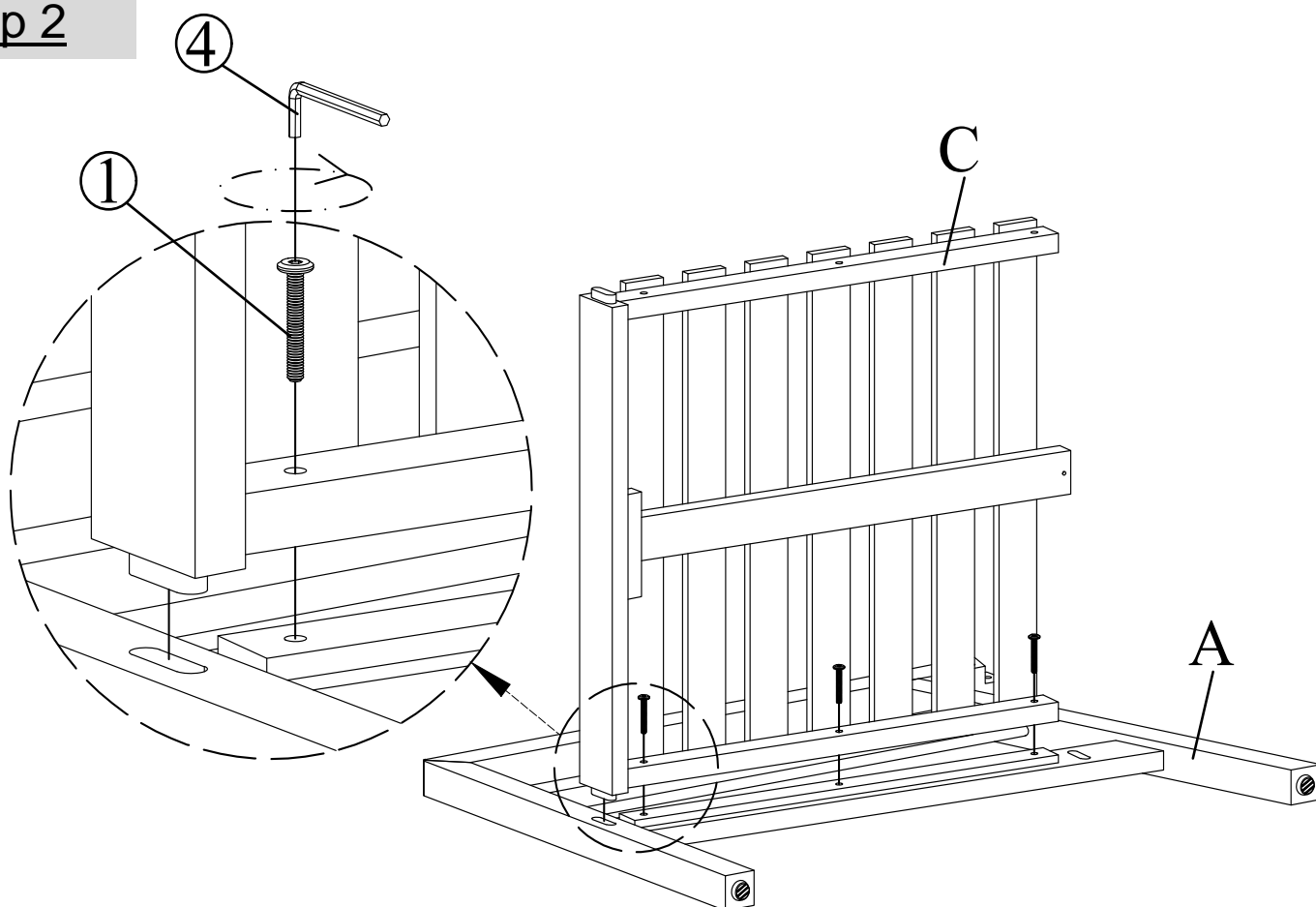
This Chair has multiple parts and may require up to some 30 minutes to assemble. To give you an overview of the Chair parts, the above picture is to help you put the various parts into perspective. Please read through the instructions below to familiarise yourself with the parts and steps before assembly.

Step 1



Unpack and place all parts on a clean, non-marring surface.

Step 2

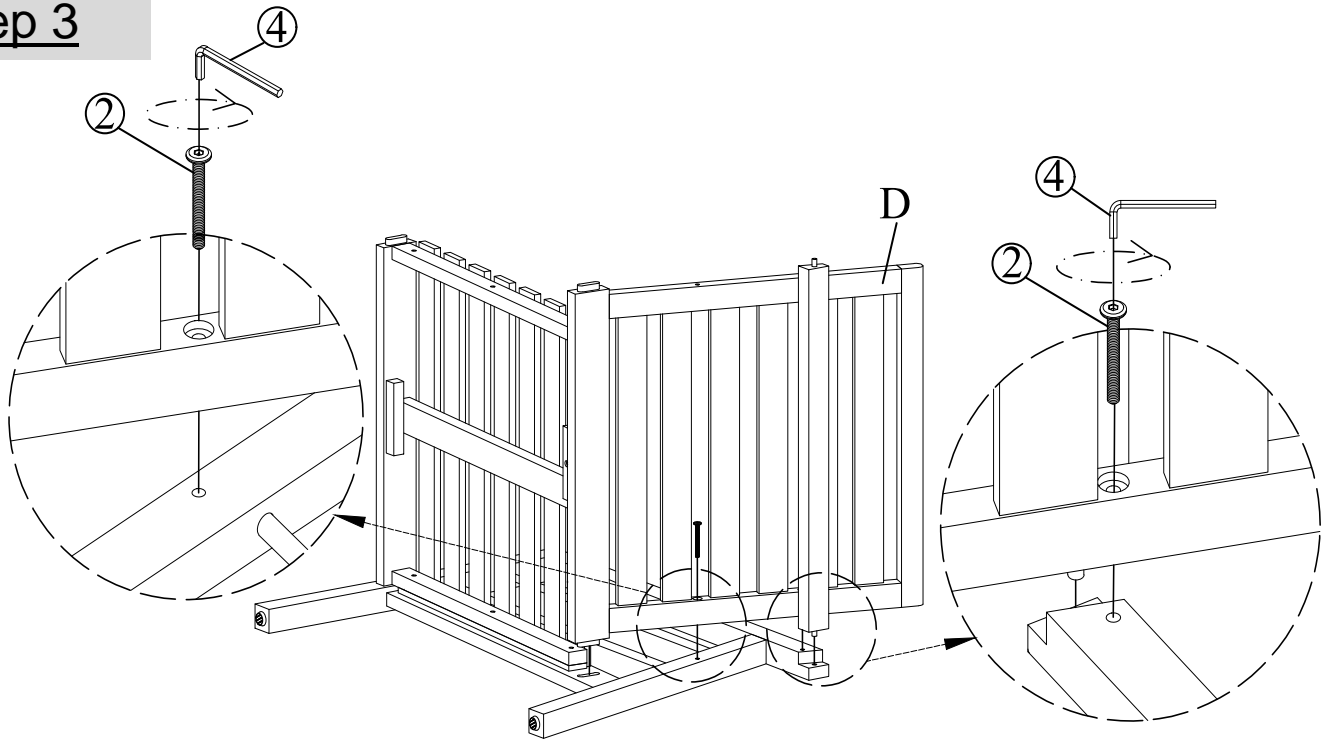


Place the Left Side Panel (A) facedown on a clean, non-marring surface as shown above.

With assistance from your adult partner, align the mounting on the Seat Panel (C) to the opening on the Left Side Panel (A), then secure them together using Bolts (1) and the Allen Wrench (4) as shown above.

Do not fully tighten the Bolts at this time.

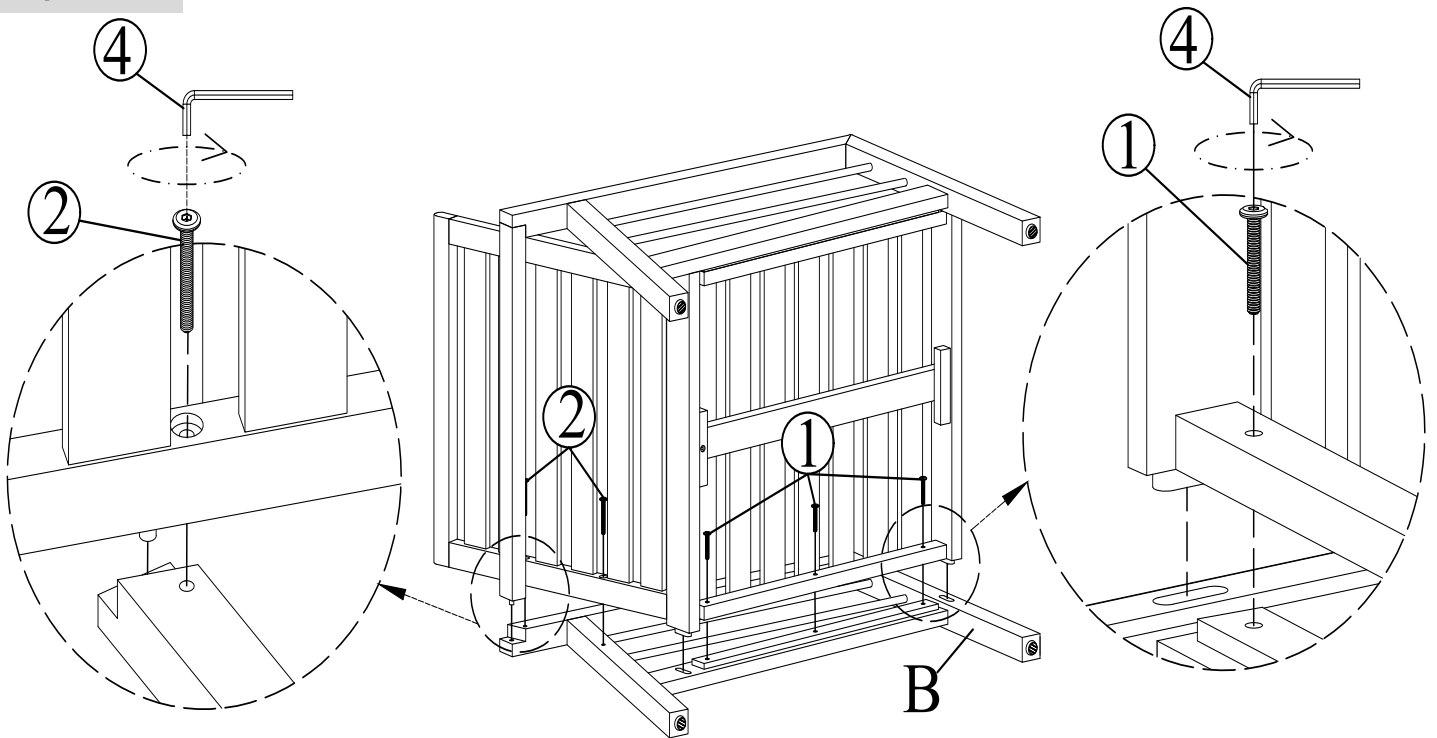
Step 3



With assistance from your adult partner, align the mounting of the Backrest Panel (D) to the opening on the Left Side Panel (A), then secure them using Bolts (2) and the Allen Wrench (4) as shown above.

Do not fully tighten the Bolts at this time.

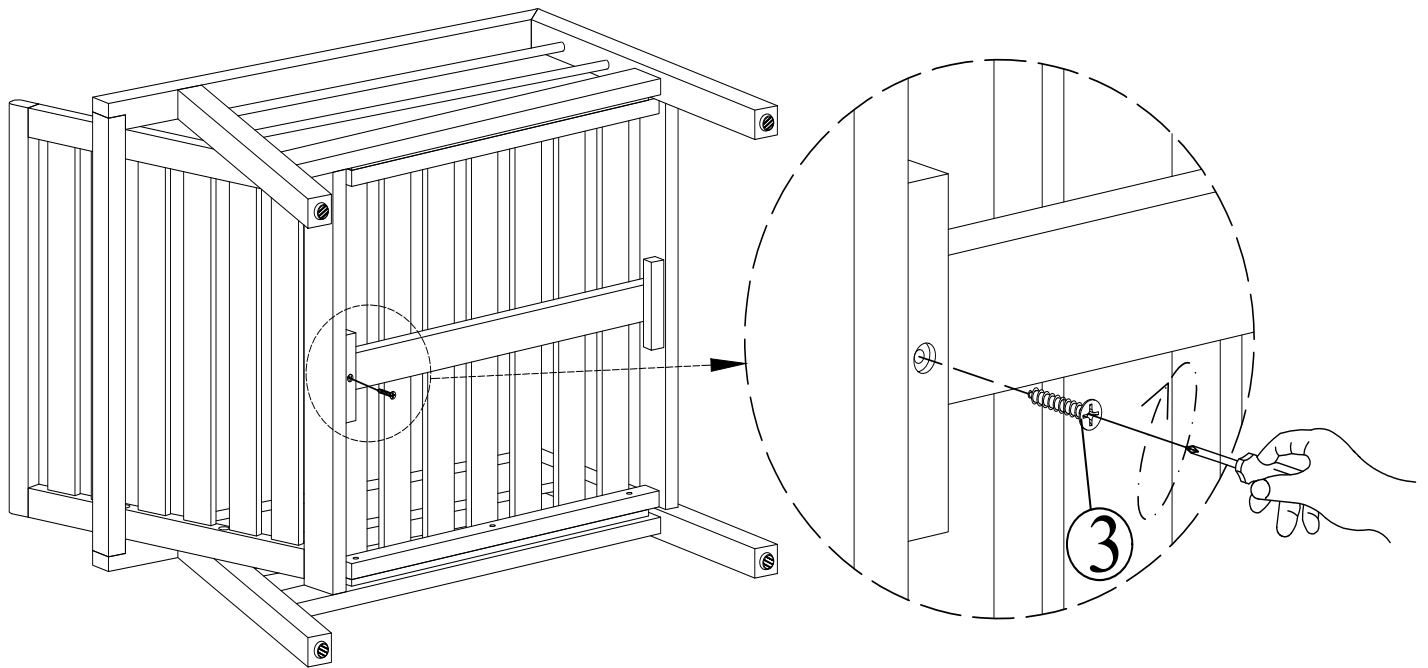
Step 4



With assistance from your adult partner, attach the assembled part from step 3 to the Right Side Panel (B) using Bolts (1), Bolts (2) and the Allen Wrench (4) as shown in the picture above.

Do not fully tighten the Bolts at this time.

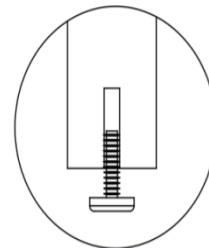
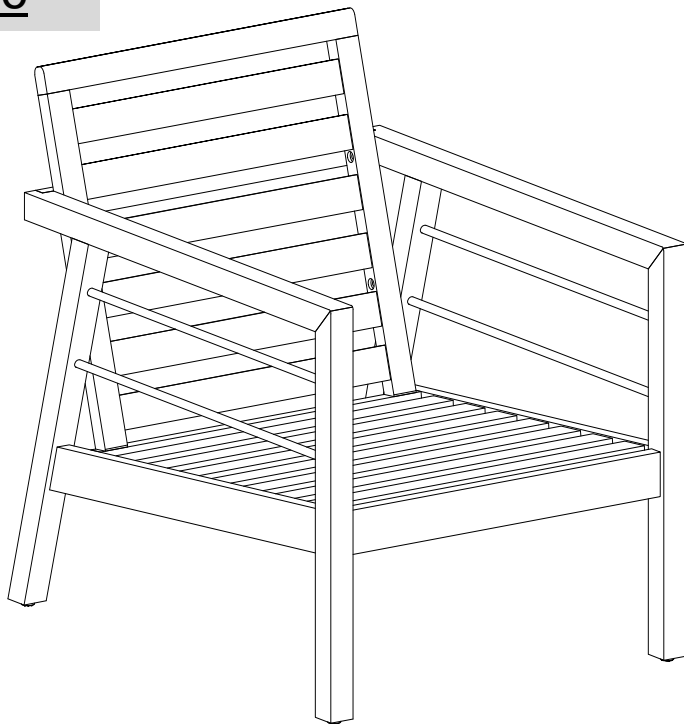
Step 5



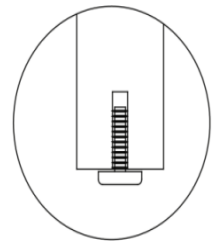
Then align the Seat Panel (C) and the Backrest Panel (D) using the Self Tapping Screws (③) as shown in the picture above.

Do not fully tighten the Screws at this time.

Step 6



Adjust high
for balance



Adjust low for
balance

Adjust Pre-installed Levelers
height for balance

Turn the Chair right side up.

EXERT pressure, floorwards, onto the Chair with both hands.

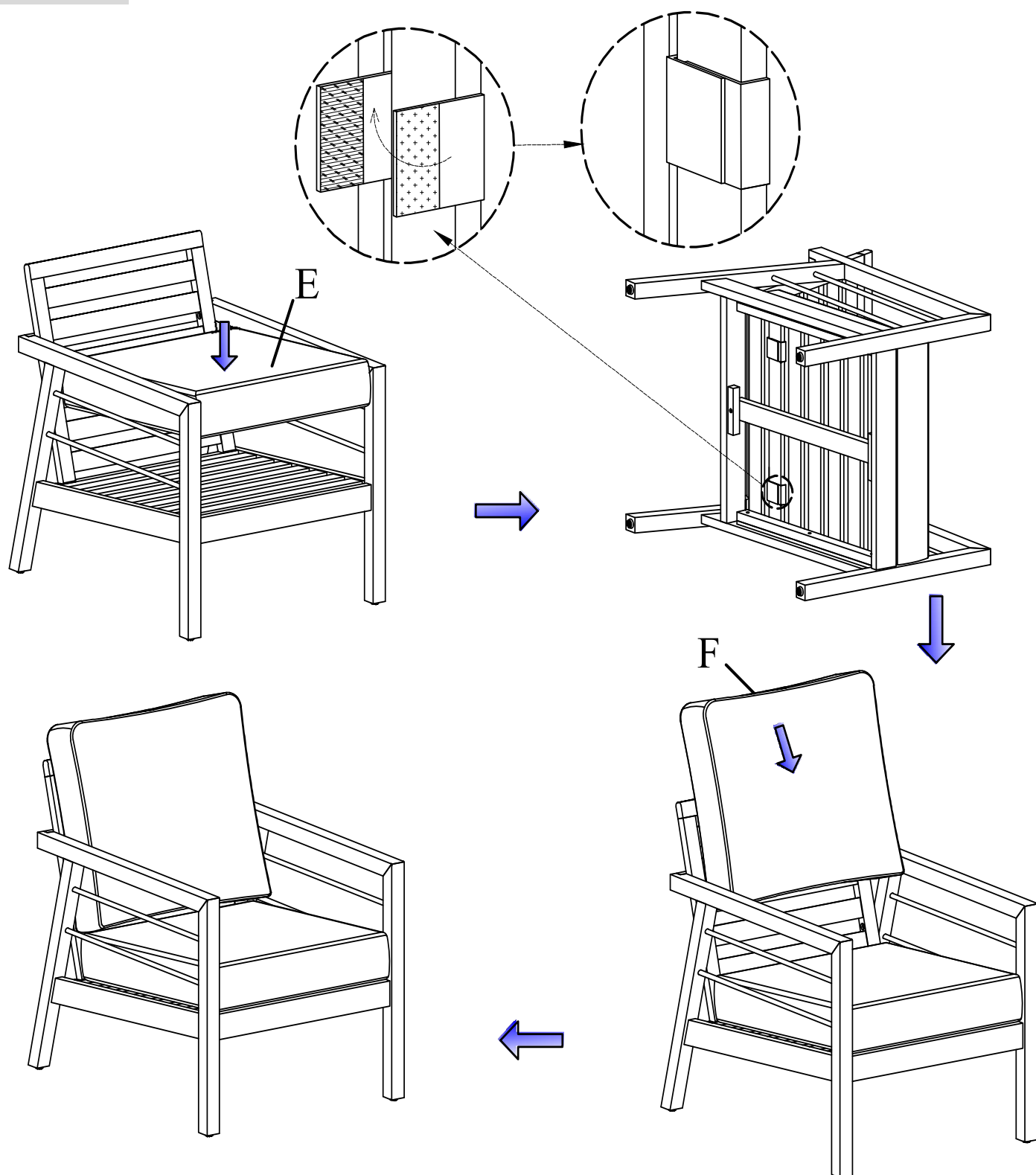
This pressure will help the Chair reach full alignment at all joints.

Check for wobbles.

Inspect the Chair and make sure all parts are adequately connected.

Then in a sequential manner, tighten ALL Bolts and Screws at ALL joints.

Step 7











Place the Seat Cushion (E) onto the Chair and affix the magic tape straps around the Chair as shown above.


Then place the Back Cushion (F) onto the Chair.

Your Chair is ready to be used.

This Chair can only be used on a flat, level surface.

Care & Maintenance

-  Do not put hot items directly on furniture surface
-  Do not clean furniture with harsh cleansers or polish.
-  To obtain the longest lifespan of your outdoor products, minimizing exposure to direct sunlight is recommended.
-  Children should not climb or jump on the furniture.
-  Do not write on furniture without a padded barrier to protect the surface.
-  To obtain the longest lifespan of your outdoor products, avoid extended and lengthy exposure to rain, snow, and direct sunshine. Whenever possible cover the product and /or place under patio or awnings.
-  Not for commercial use. For residential use only .
-  Stains may be removed with mild soap solution and damp cloth.

-  Dust and pick-up spills using a clean, non-colored, lint-free cloth.