

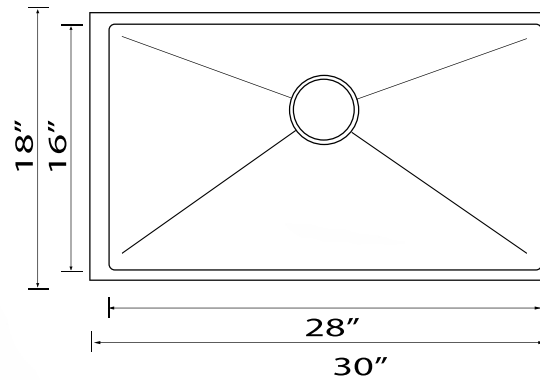
**Pro Series Collection**  
 Premium Stainless Steel  
 Small Radius Pro Undermount Kitchen Sink



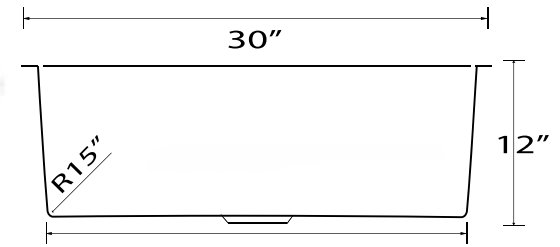
**MODEL: SR3018-12-16 LAUNDRY DEPTH**



**TOP VIEW**



**FRONT VIEW**



Overall Dimensions	Interior Bowl	Bowl Depth	Drain	Bottom Grid
30"X 18"	Top Edge 28"X 16"	12"	NS35CD	Included

**FEATURES**

- Premium 304, 16 gauge Stainless Steel Kitchen Sink
- 12" Bowl Depth
- Bottom Grid Included / NS35CD Included
- Brushed Satin Finish
- Limited Lifetime Manufacturers Warranty
- Insulated to Reduce Condensation
- Rubber Padding is Applied for Noise Reduction

*Project Name:* \_\_\_\_\_

*Architect / Contractor:* \_\_\_\_\_

*Job Notes:* \_\_\_\_\_

\_\_\_\_\_

\_\_\_\_\_