

CHEVAL MIRROR, WHITE

ASSEMBLY INSTRUCTION



ASSEMBLY INSTRUCTION

ASSEMBLY TIPS:

- 1.Remove hardware from box and sort by size.
- 2.Please check to see that all hardware and parts are present prior to start of assembly.
- 3.Please follow attached instructions in the same sequence as numbered to assure fast & easy assembly.



Warning !!

1. Don't attempt to repair or modify parts that are broken or defective .Please contact the store immediately.
2. This product is for home use only and not intended for commercial establishment.

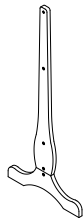
PARTS IDENTIFICATION

(A) CABINET BODY



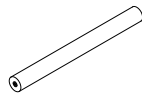
1 PC

(B) LEG



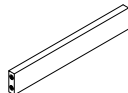
2 PCS

(C) ROUND BAR



2 PCS

(D) RAIL

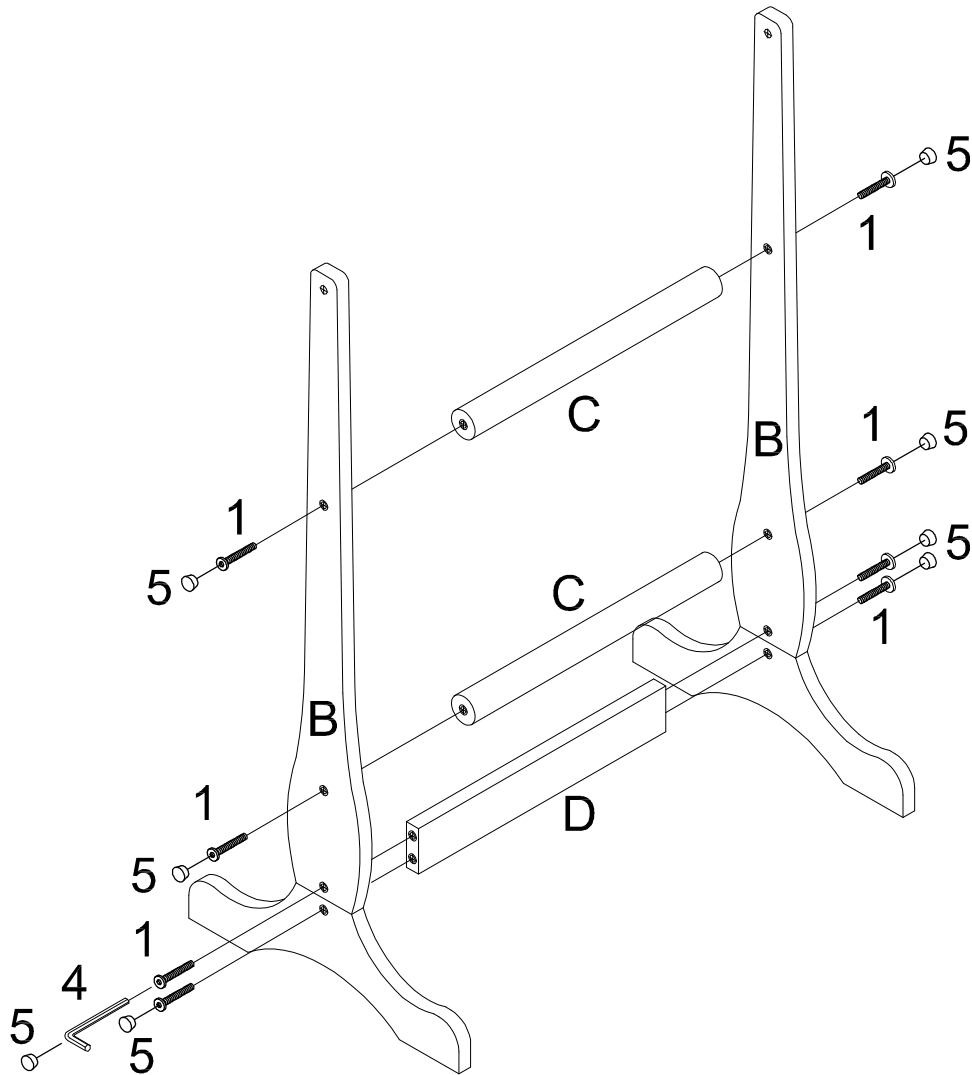


1 PC

HARDWARE PACKAGE

NO	DESCRIPTION	FIGURE	Q' TY
1	BIG BOLT M6*25mm		8 pcs
2	Main connectingscrews ∅0.5x6.5mm		2 pcs
3	Plastic washer ∅3mm		2 pcs
4	Allen key M6x6.7		1 pc
5	WOOD STOPPER ∅12.5		8 pcs

STEP:1



STEP:2

