

Dear Customer,

Thank you for purchasing one of our products. Our products are beautifully designed for style, functionality and flexibility as your child grows! All Camaflexi furniture is non -toxic, eco-friendly and made from 100% solid wood with no MDF or laminates which allows it to meet and surpass industry quality standards for sustainability and safety.

Our beds represent the core building block of our unique bedding system. Our products are unique because just like a child's Lego building blocks which allows you to add and subtract parts , our furniture line has optional parts such as slides, bunk bed kits, under bed storage drawers, trundles and many more parts that will allow you to transform the bed as your needs grow ! We created this line so that our customers can add further functionality to the beds by creating interchangeable parts.

The Flexibility is what we are all about! Camaflexi offers the best in sturdy, eco -friendly and healthy bedroom furniture for your growing child's needs!



If you need any help or support in regards to our products, please feel free to give us a call at 347 -844-9307 or drop us an email at info@camaflexi.com



Thank you again for purchasing our products,




The Camaflexi Team

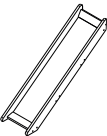
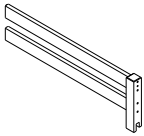

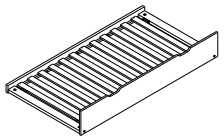






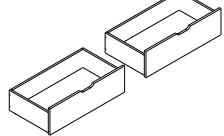
Camaflexi



BUNK BED					
	C911A_NT C912A_CP C913A_WH			C921A_NT C922A_CP C923A_WH	
E4021/2/3	1x	Camaflexi twin mission style low headboard	E4031/2/3	1x	Camaflexi twin panel low headboard
E4121/2/3	1x	Camaflexi post for headboard	E4121/2/2	1x	Camaflexi post for headboard
E4221/2/3	2x	Camaflexi rails for bed with center support	E4221/2/3	2x	Camaflexi rails for bed with center support
E5821/2/3	1x	Camaflexi tall headboard mission style	E5831/2/3	1x	Camaflexi tall headboard panel headboard
E5911/2/3	1x	Camaflexi post for headboard	E5911/2/3	1x	Camaflexi posts for headboard
E4411/2/3	1x	Camaflexi full length guard rails	E4411/2/3	1x	Camaflexi full length guard rails
E4311/2/3	1x	Camaflexi 3/4 long guard rails	E4311/2/3	1x	Camaflexi 3/4 long guard rails
E7001/2/3	1x	Camaflexi angle ladder for bunk bed	E7001/2/3	1x	Camaflexi angle ladder for bunk bed
E4510	2x	Camaflexi wood slats for mattress foundation	E4510	2x	Camaflexi wood slats for mattress foundation

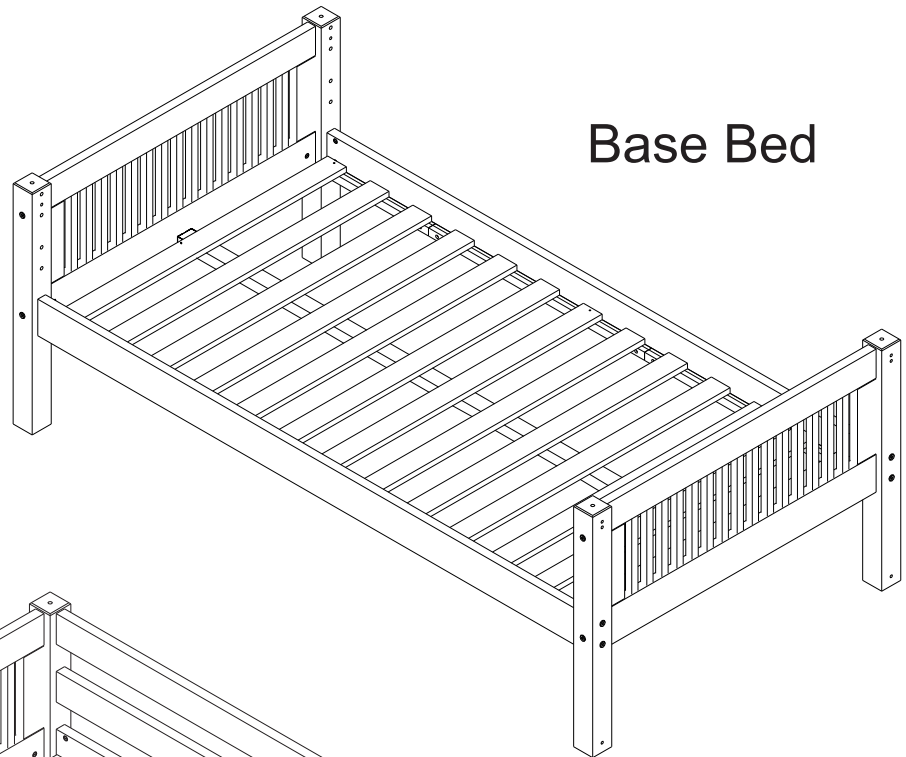
	C911_NT C912_CP C913_WH			C921_NT C922_CP C923_WH	
E4021/2/3	1x	Camaflexi twin mission style low headboard	E4031/2/3	1x	Camaflexi twin panel low headboard
E4121/2/3	1x	Camaflexi post for headboard	E4121/2/3	1x	Camaflexi post for headboard
E4221/2/3	2x	Camaflexi rails for bed with center support	E4221/2/3	2x	Camaflexi rails for bed with center support
E5821/2/3	1x	Camaflexi tall headboard mission style	E5831/2/3	1x	Camaflexi tall headboard panel headboard
E5911/2/3	1x	Camaflexi posts for headboard	E5911/2/3	1x	Camaflexi posts for headboard
E4411/2/3	1x	Camaflexi full length guard rails	E4411/2/3	1x	Camaflexi full length guard rails
E4311/2/3	1x	Camaflexi 3/4 long guard rails	E4311/2/3	1x	Camaflexi 3/4 long guard rails
E6901/2/3	1x	Camaflexi attached ladder for bunk bed	E6901/2/3	1x	Camaflexi attached ladder for bunk bed
E4510	2x	Camaflexi wood slats for mattress foundation	E4510	2x	Camaflexi wood slats for mattress foundation

HIGH LOFT BED					
	C611_NT C612_CP C613_WH			C621_NT C622_CP C623_WH	
	C601_NT C602_CP C603_WH				
E4021/2/3	1x	Camaflexi twin mission style low headboard	E4031/2/3	1x	Camaflexi twin panel low headboard
E4121/2/3	1x	Camaflexi post for headboard	E4121/2/3	1x	Camaflexi post for headboard
E4221/2/3	1x	Camaflexi rails for bed with center support	E4221/2/3	1x	Camaflexi rails for bed with center support
E4411/2/3	2x	Camaflexi full length guard rails	E4411/2/3	2x	Camaflexi full length guard rails
E4311/2/3	1x	Camaflexi 3/4 long guard rails	E4311/2/3	1x	Camaflexi 3/4 long guard rails
E4911/2/3	1x	Camaflexi ladder for high loft bed	E4911/2/3	1x	Camaflexi ladder for high loft bed
E4811/2/3	1x	Camaflexi high loft bed kit	E4811/2/3	1x	Camaflexi high loft bed kit
E4510	1x	Camaflexi wood slats for mattress foundation	E4510	1x	Camaflexi wood slats for mattress foundation

ACCESSORIES					
LOW LOFT BED WITH SLIDE			UNDER BED TRUNDLE		
	+		=		
				C511_NT C512_CP C513_WH	C3131_NT C3132_CP C3133_WH
E5011/2/3	1x	Camaflexi slide for mid height loft bed	E43511/2/3	1x	Camaflexi short length guard rails
E3131/2/3	1x	Camaflexi trundle			
LOW LOFT BED WITH RETRACTABLE DESK					
	+		=		
				C411D_NT C412D_CP C413D_WH	
E5211/2/3	1x	Camaflexi bookcase desk for mid or high loft bed			
HIGH LOFT BED WITH DESK			UNDER BED DRAWERS		
	+		=		
				C611D_NT C612D_CP C613D_WH	C3031_NT C3032_CP C3033_WH
E5111/2/3	1x	Camaflexi long desk for high loft bed	E3031/2/3	1x	Camaflexi two drawers

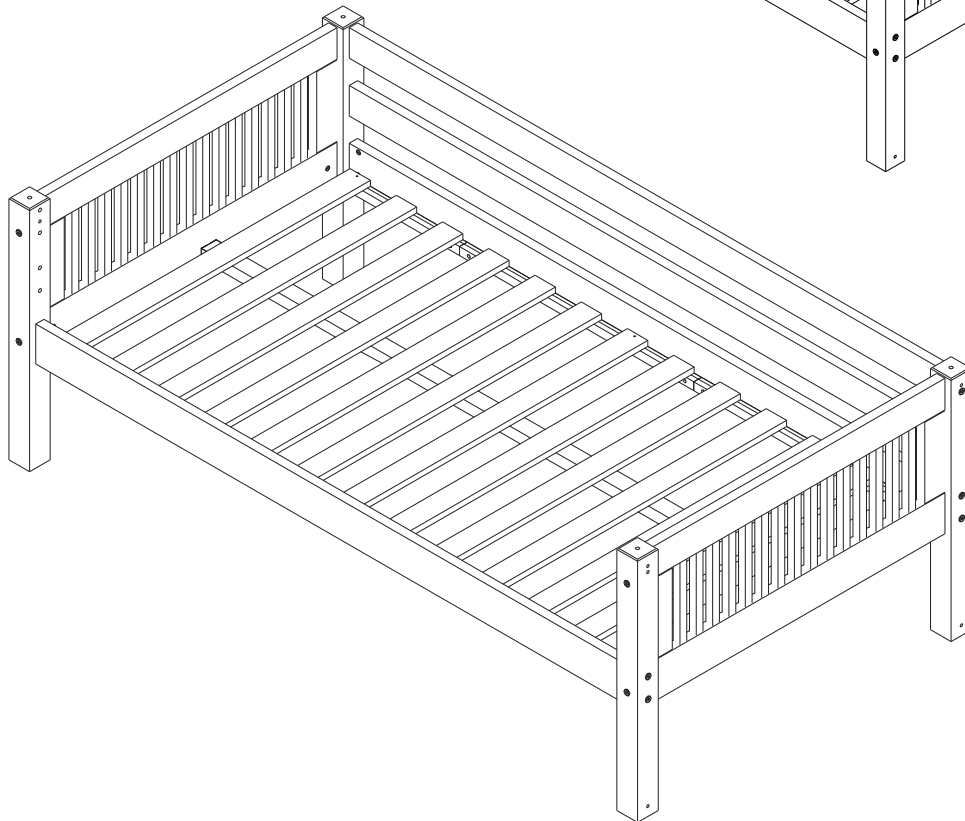


CAMAFLEXI BASE BED TWIN



Base Bed

Base DayBed



ATTENTION

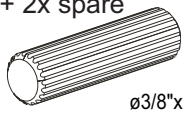
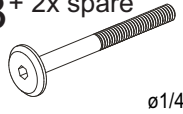



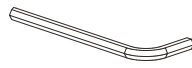
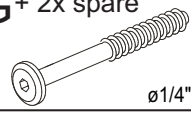

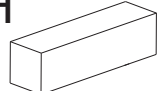
- 1 - Read and observe carefully all the assembly instructions before beginning assembly.
- 2 - The assembly of the product must be done on a clean and flat surface. We suggest to use the packaging to cover the floor to avoid damages.
- 3 - The screws must be tightened periodically.
- 4 - Avoid contact with sharp objects.
- 5 - Avoid banging pieces together.



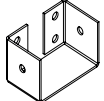
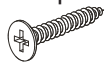
Parts and hardware list for ASSEMBLY CAMAFLEXI BASE BED.

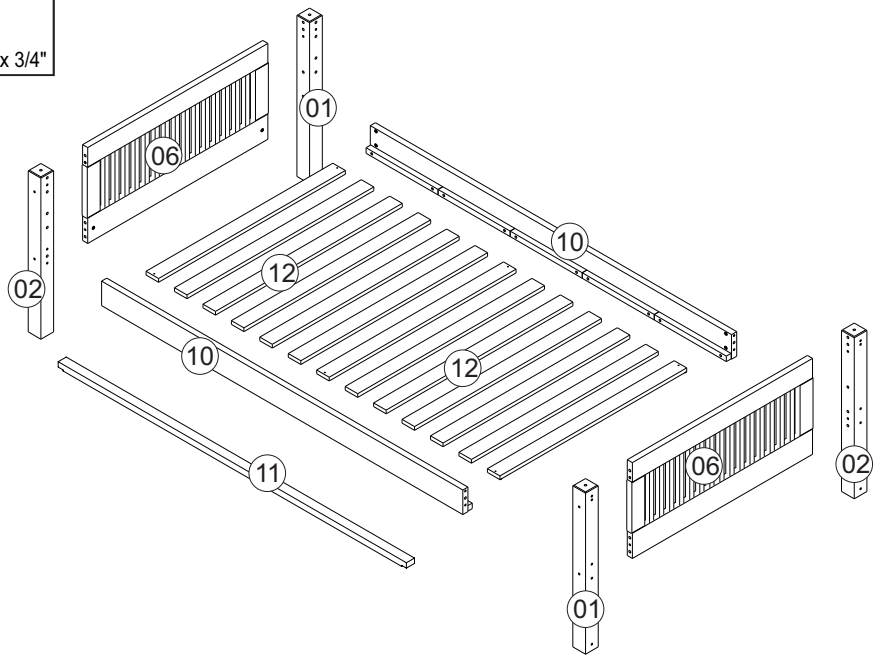
The hardware is located in several part cartons as indicated below:

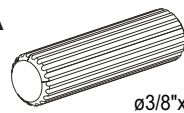
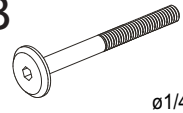



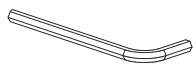
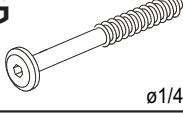
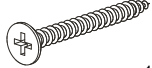
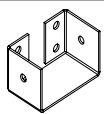

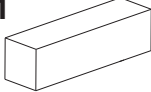
Hardware - Carton SKU# E4121/2/3

A + 2x spare 16x  ø3/8"x1 9/16"	B + 2x spare 12x  ø1/4"x4 1/4"	C + 2x spare 12x  ø1/4"x5/8"	D 16x  ø5/16"	E 20x  ø3/8"
F + 2x spare 01x 	G + 2x spare 04x  ø1/4"x3 7/8"	I + 2x spare 28x  ø1/8"x1 3/8"	BH 02x  2 3/4"	

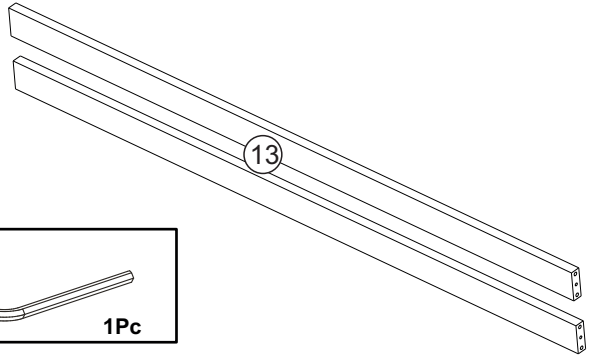
Hardware - Carton SKU# E4221/2/3

J 02x 	M + 2x spare 12x  ø1/8" x 3/4"
--	---

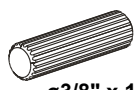


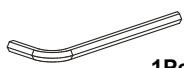


A 16x  ø3/8"x1 9/16"	B 12x  ø1/4"x4 1/4"	C 12x  ø1/4"x5/8"	D 16x  ø5/16"
E 20x  ø3/8"	F 01x 	G 04x  ø1/4"x3 7/8"	I 28x  ø1/8"x1 3/8"
J 02x 	M 12x  ø1/8" x 3/4"	BH 02x  2 3/4"	

DayBed add 2x Rear Guard Rails + Hardware as indicated below:

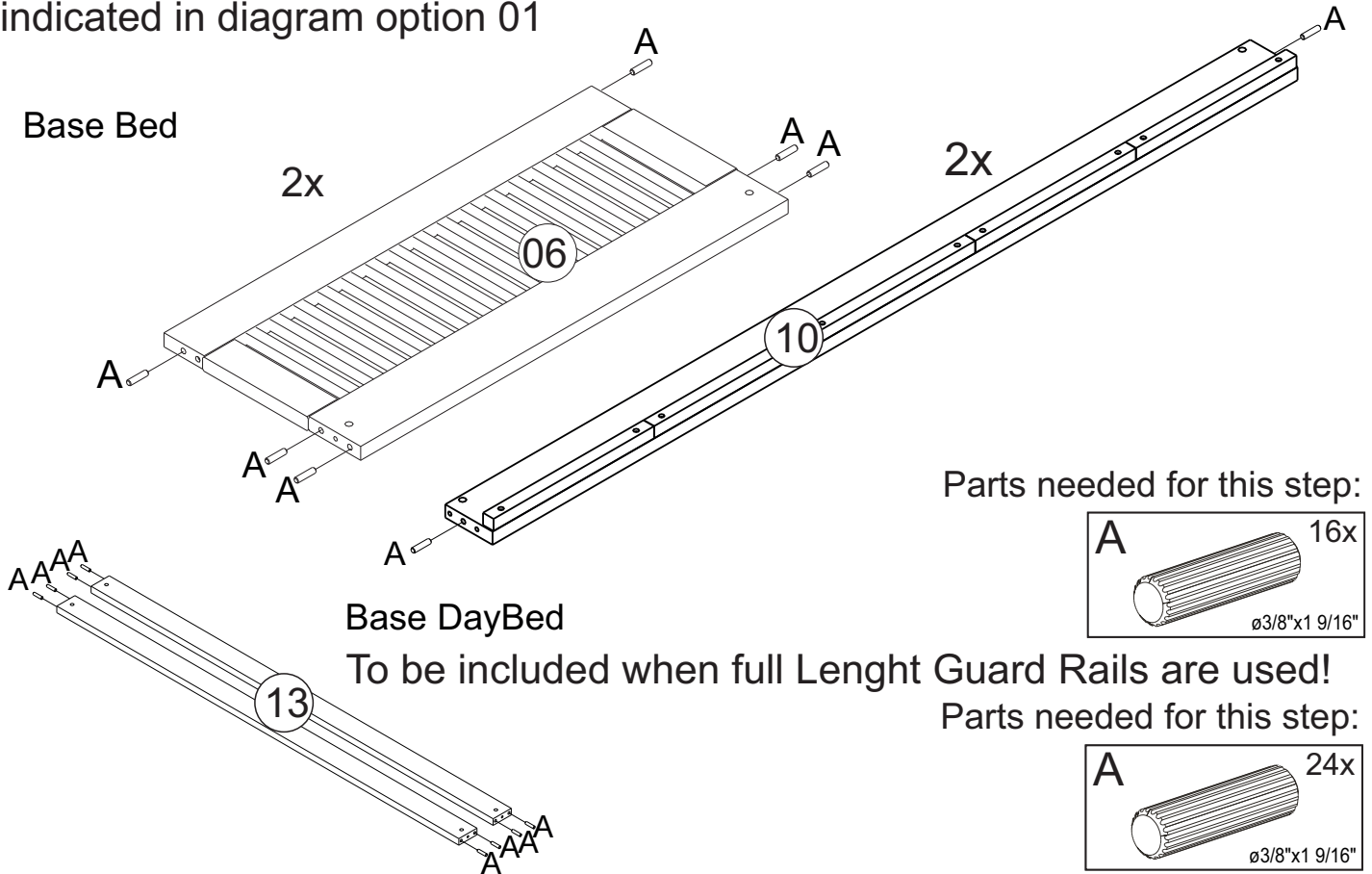


Hardware Carton SKU# E4411/2/3

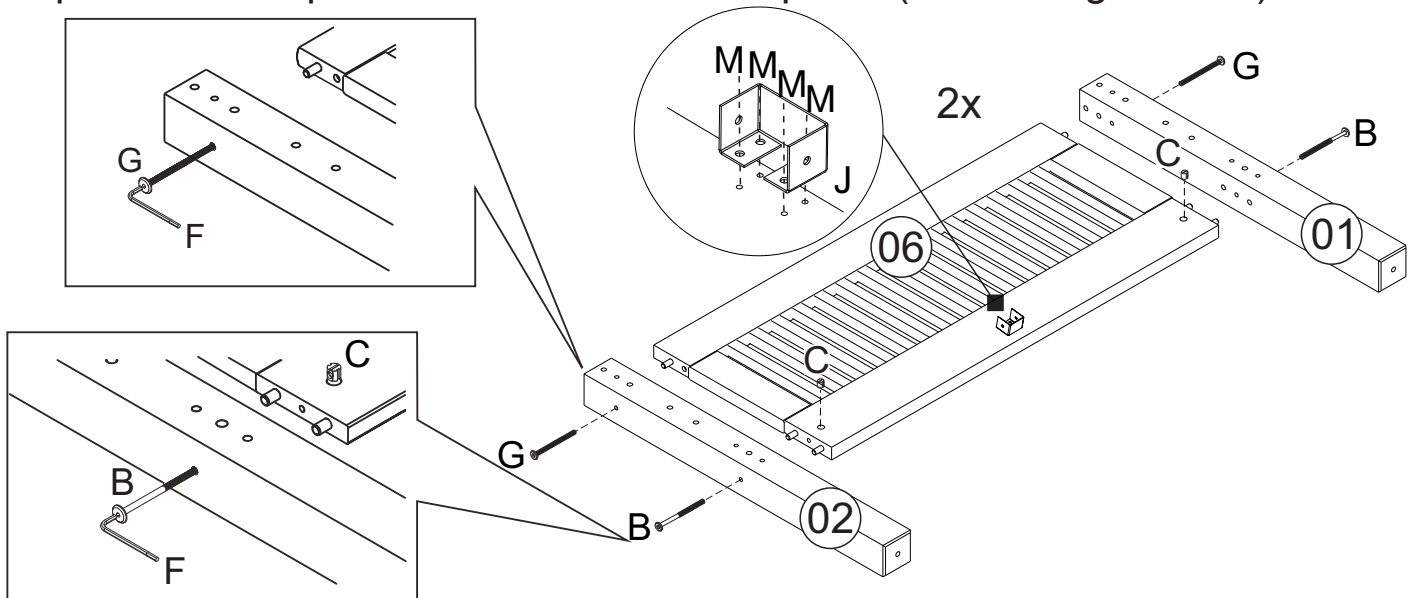
A 8Pc  ø3/8" x 1 9/16"	B 2Pc  ø1/4" x 4 1/4"	C 2Pc  ø1/4" x 5/8"	F 1Pc 
---	--	--	---

ASSEMBLY INSTRUCTIONS

Step 01 - Place Wood dowels into head board panels and bed rails, indicated in diagram option 01



Step 02 - Attach panel head board to bed posts (left and right sides).

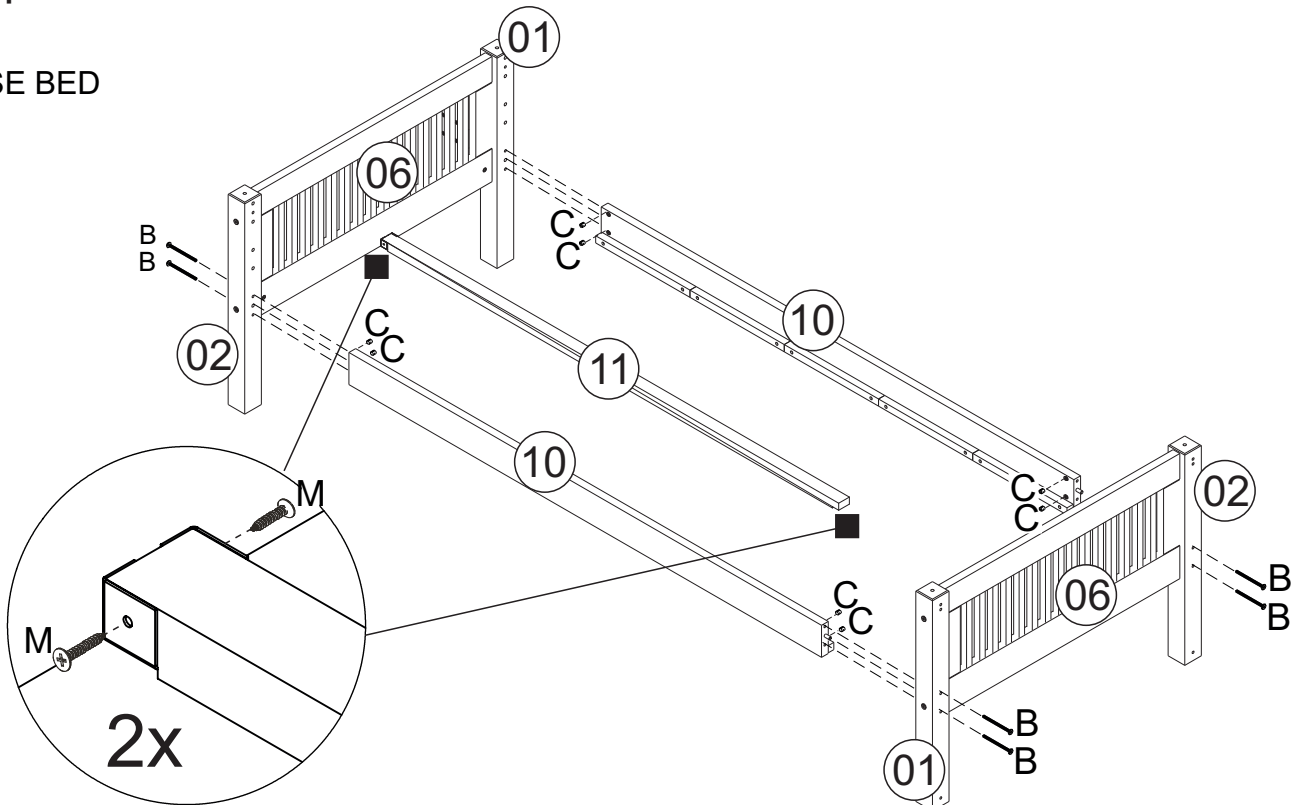


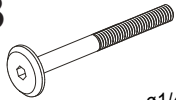
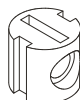
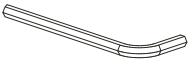
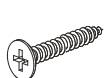
Fasten metal center support brackets in lower center of head board as indicated.

B 04x $\varnothing 1/4" \times 4 1/4"$	C 04x $\varnothing 1/4" \times 5/8"$	F 01x	G 04x $\varnothing 1/4" \times 3 7/8"$
J 02x	M 08x $\varnothing 1/8" \times 3/4"$		

Step 03 - Fasten bed rails to head board posts. Place wood center support into metal brackets - and attach with screws as shown.

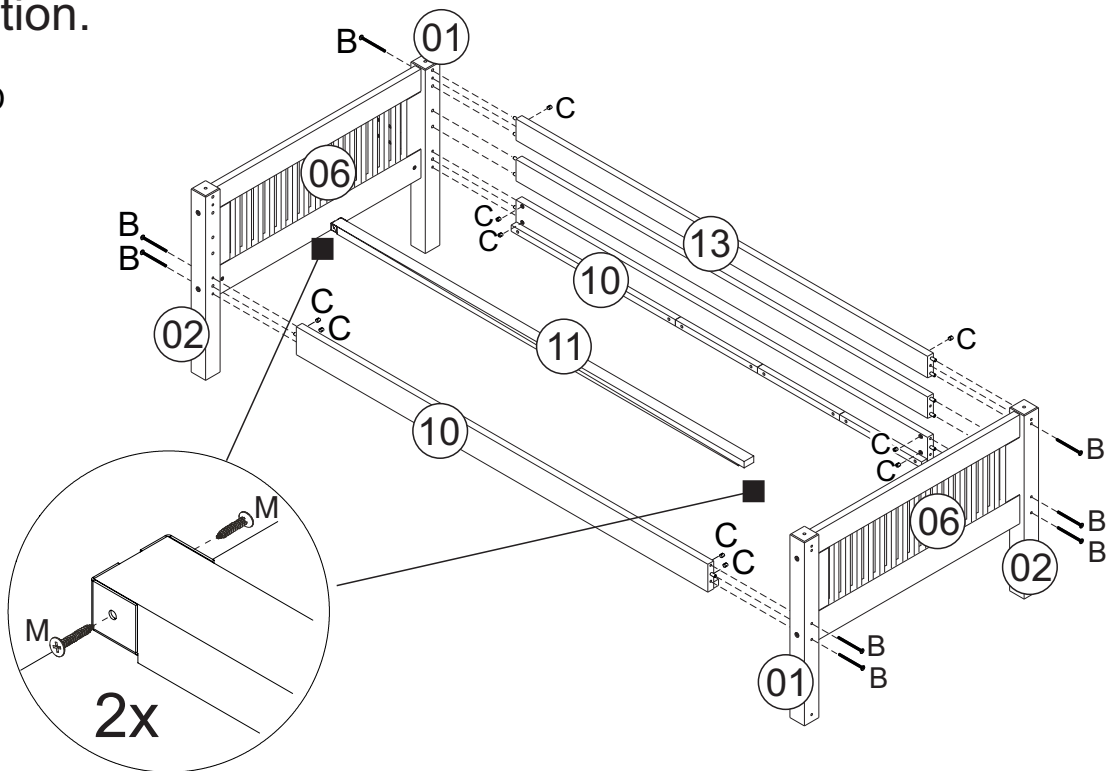
BASE BED

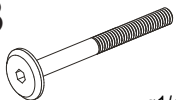

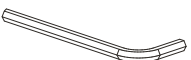
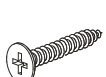


B		08x	C		08x	F		01x	M		04x
		$\varnothing 1/4" \times 4 1/4"$			$\varnothing 1/4" \times 5/8"$						$\varnothing 1/8" \times 3/4"$

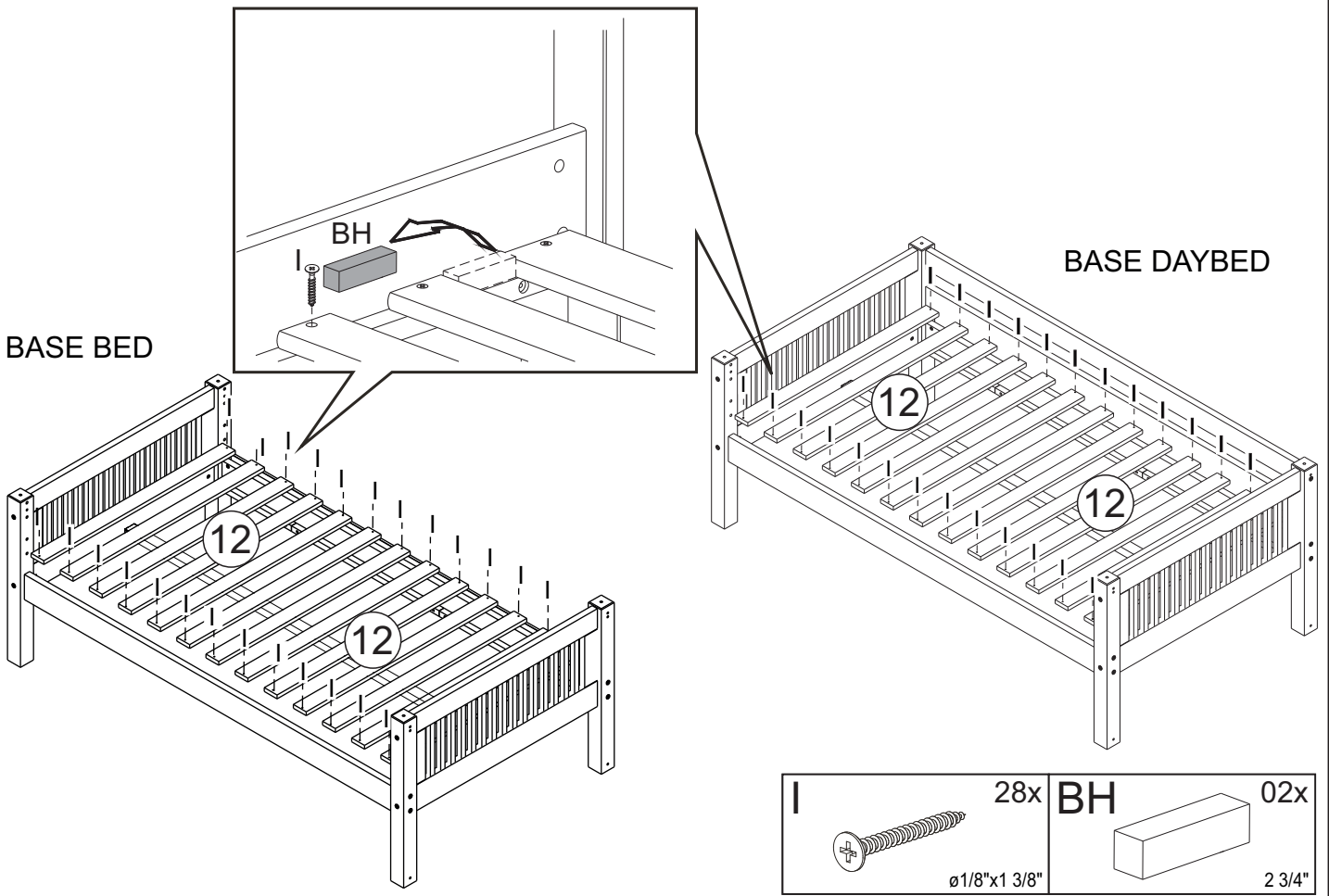
Attach full length guard rails as shown if bed purchased as DayBed with this option.

BASE DAYBED

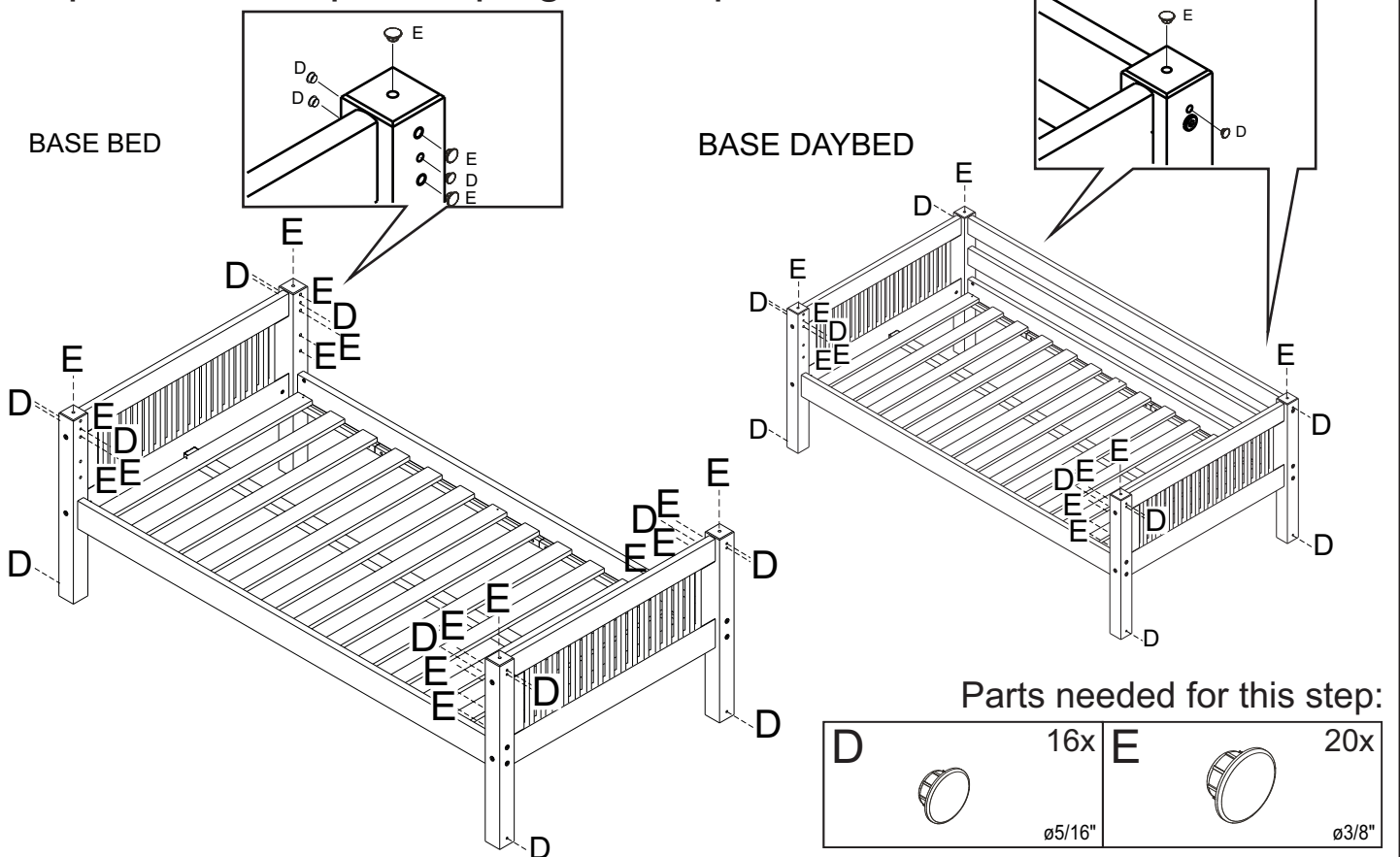


B		10x	C		10x	F		01x	M		04x
		$\varnothing 1/4" \times 4 1/4"$			$\varnothing 1/4" \times 5/8"$						$\varnothing 1/8" \times 3/4"$

Step 04 - Attach slat roll foundation to bed rails as indicated.



Step 05 - Place plastic plugs into open screw holes.



Your Camaflexi bed is now ready for use as is or to be added to other bed configurations, such as Loft Bed, Bunk Bed, etc.