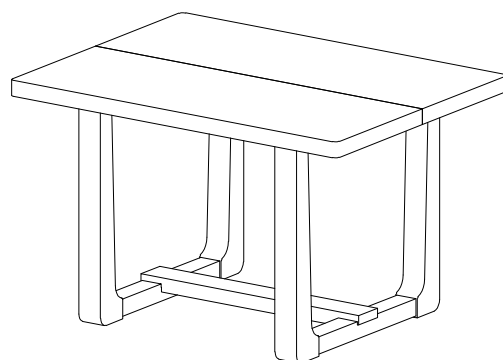


# DINING TABLE

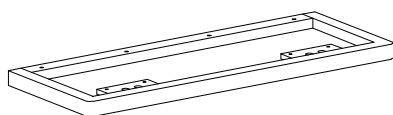


- Please keep instructions for future reference.
- Check the quantity and irregularity of parts and hardware before you start.



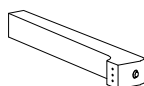
## PARTS

1



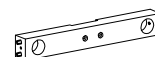
TOP  
2 pcs.

2



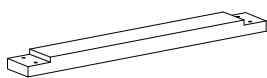
LEGS  
4 pcs.

3



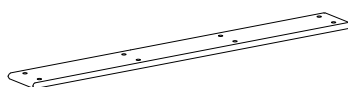
RAILS  
2 pcs.

4



STRETCHER  
1 pc.

5



LONG CONNECTOR  
1 pc.

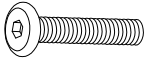
6



SHORT CONNECTOR  
4 pcs.

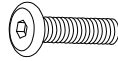
## HARDWARE

A



BOLT  
Ø5/16" x 2"  
4 pcs.

B



BOLT  
Ø5/16" x 1-1/4"  
32 pcs.

C



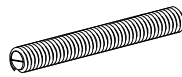
SPRING WASHER  
Ø5/16"  
36 pcs.

D



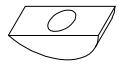
FLAT WASHER  
Ø5/16"  
36 pcs.

E



THREADED PINS  
Ø5/16" x 3"  
4 pcs.

F



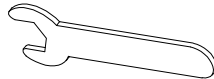
HALF MOON  
Ø5/16"  
4 pcs.

G



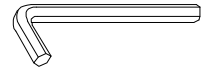
HEX NUT  
5/16" x 1/2"  
4 pcs.

H



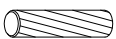
WRENCH  
3-1/2" x 1/2"  
1 pc.

I



ALLEN WRENCH  
M5  
1 pc.

J



WOOD DOWELS  
Ø10" x 30MM  
11 pcs.

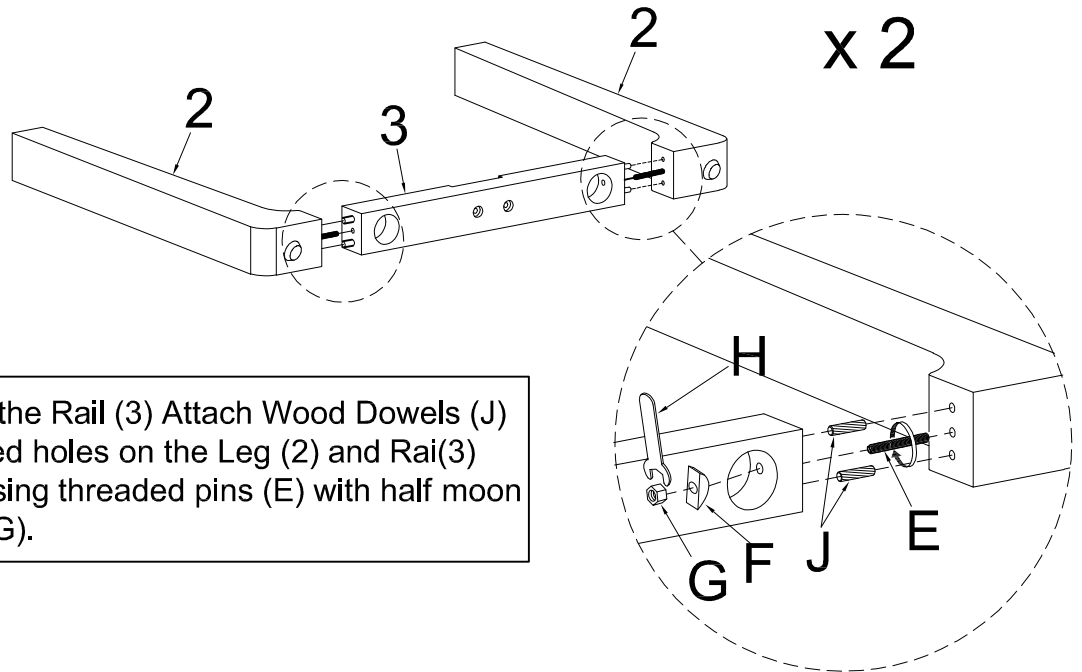
---

# ASSEMBLY INSTRUCTIONS

1

DO NOT FULLY TIGHTEN ALL BOLTS UNTIL ASSEMBLY IS COMPLETED.

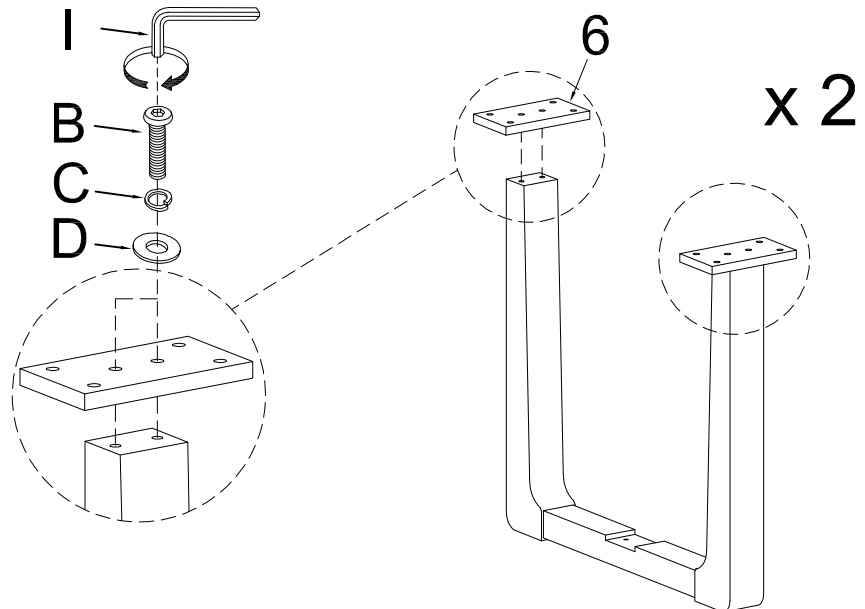
- Part 2 x4pcs
- Part 3 x2pcs
- Hardware E x4pcs
- Hardware F x4pcs
- Hardware G x4pcs
- Hardware H x1pc
- Hardware J x8pcs



Align Legs (2) to the Rail (3) Attach Wood Dowels (J) into the designated holes on the Leg (2) and Rai(3) then secure by using threaded pins (E) with half moon (F) and hex nut (G).

2

- Part 6 x4pcs
- Hardware B x8pcs
- Hardware C x8pcs
- Hardware D x8pcs
- Hardware I x1pc

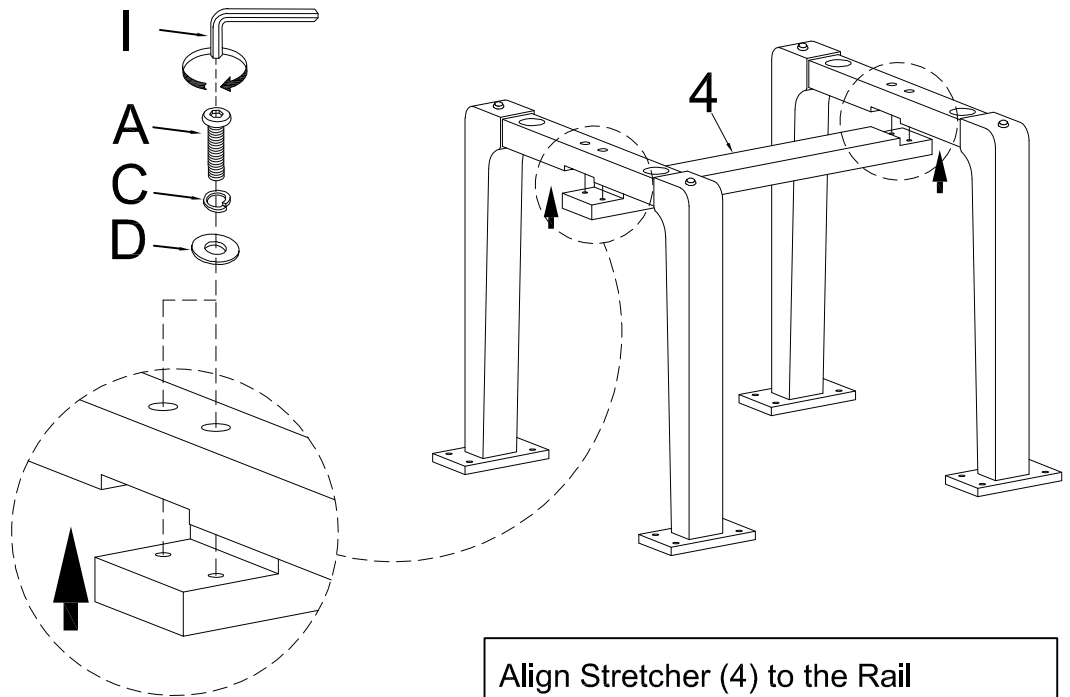


Align Short connector (6) to the Leg (2) then secure by using bolt (B) with Spring washer (C) and flat washer(D)

# ASSEMBLY INSTRUCTIONS

## 3

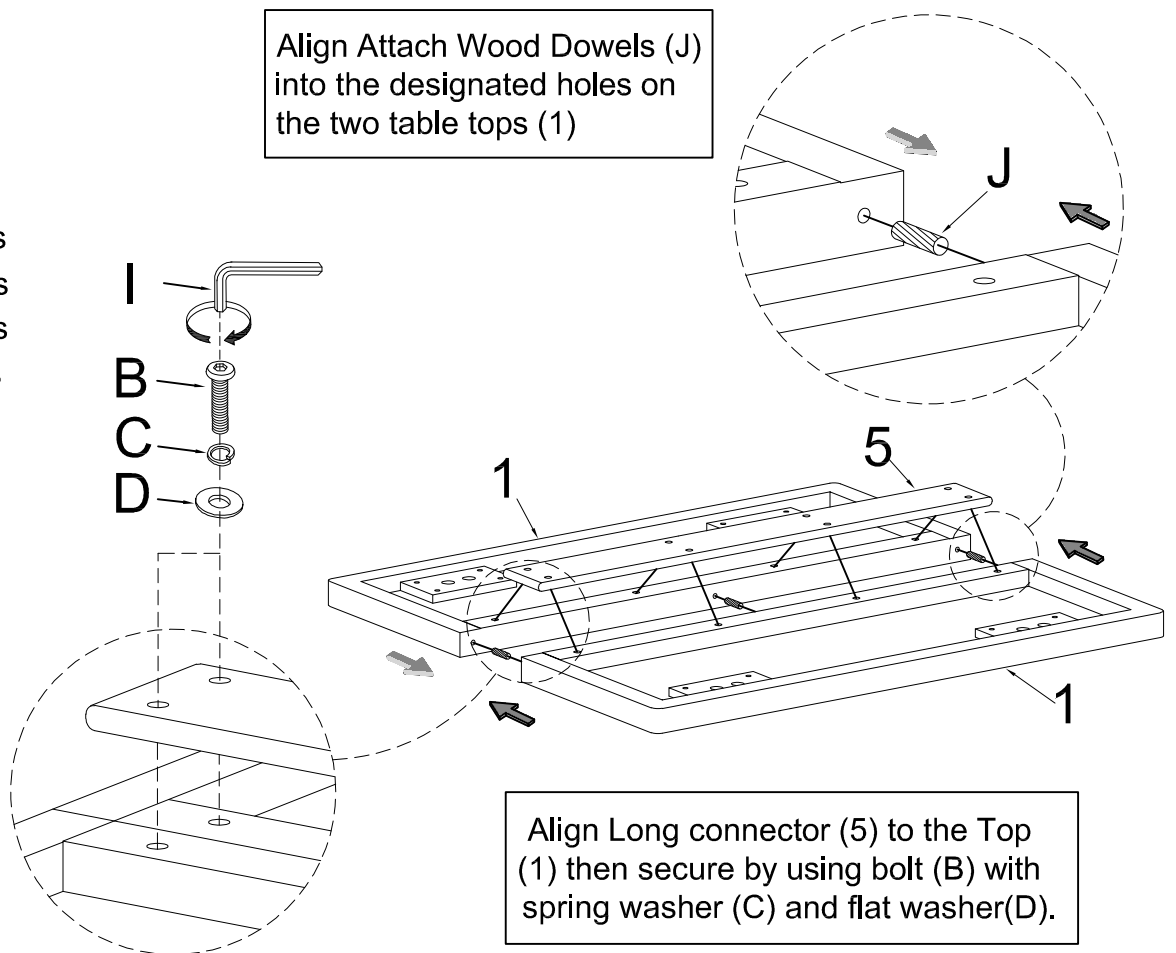
- Part 4 x1pc
- Hardware A x4pcs
- Hardware C x4pcs
- Hardware D x4pcs



Align Stretcher (4) to the Rail (3) then secure by using bolt (A) with spring washer (C) and flat washer(D).

## 4

- Part 1 x2pcs
- Part 5 x1pc
- Hardware B x8pcs
- Hardware C x8pcs
- Hardware D x8pcs
- Hardware J x3pcs



Align Attach Wood Dowels (J) into the designated holes on the two table tops (1)

Align Long connector (5) to the Top (1) then secure by using bolt (B) with spring washer (C) and flat washer(D).

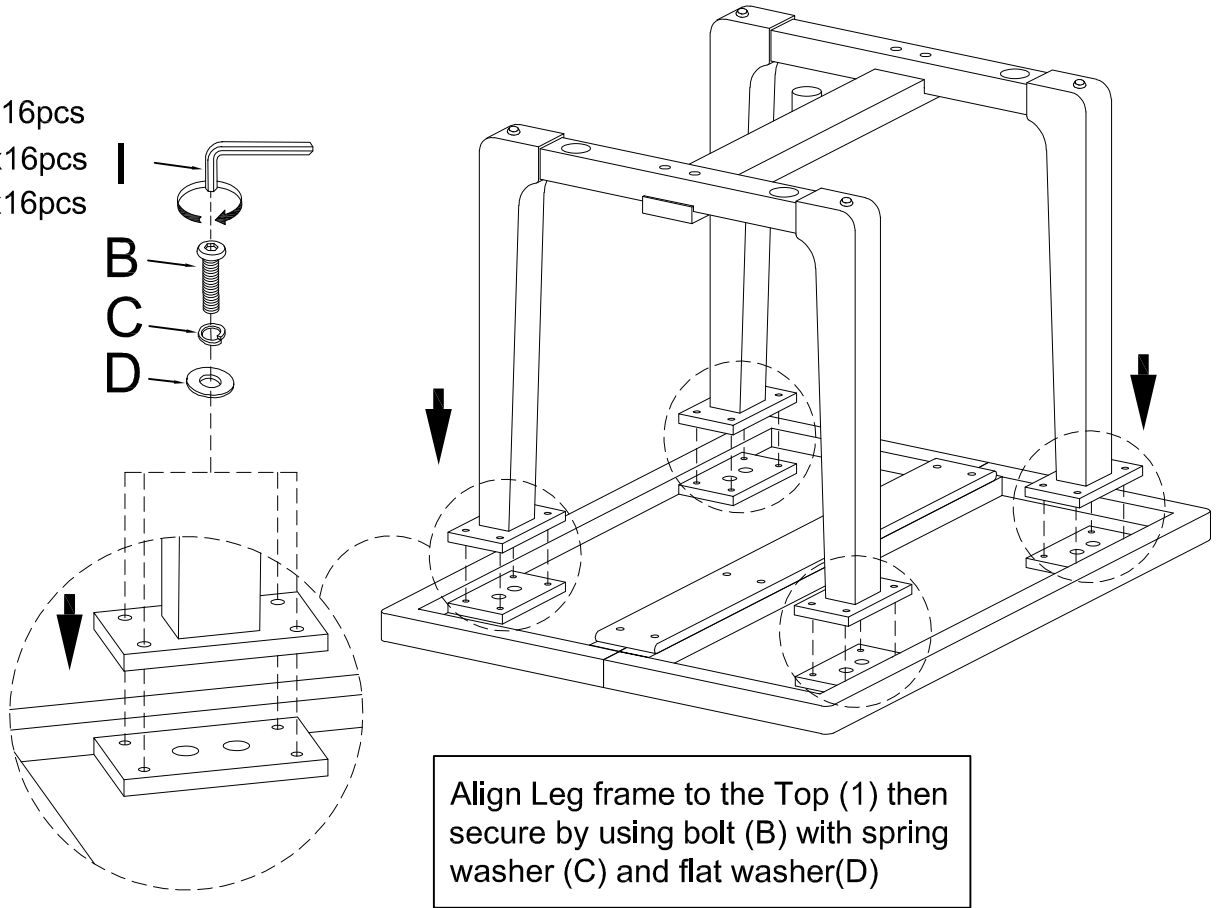
# ASSEMBLY INSTRUCTIONS

## 5

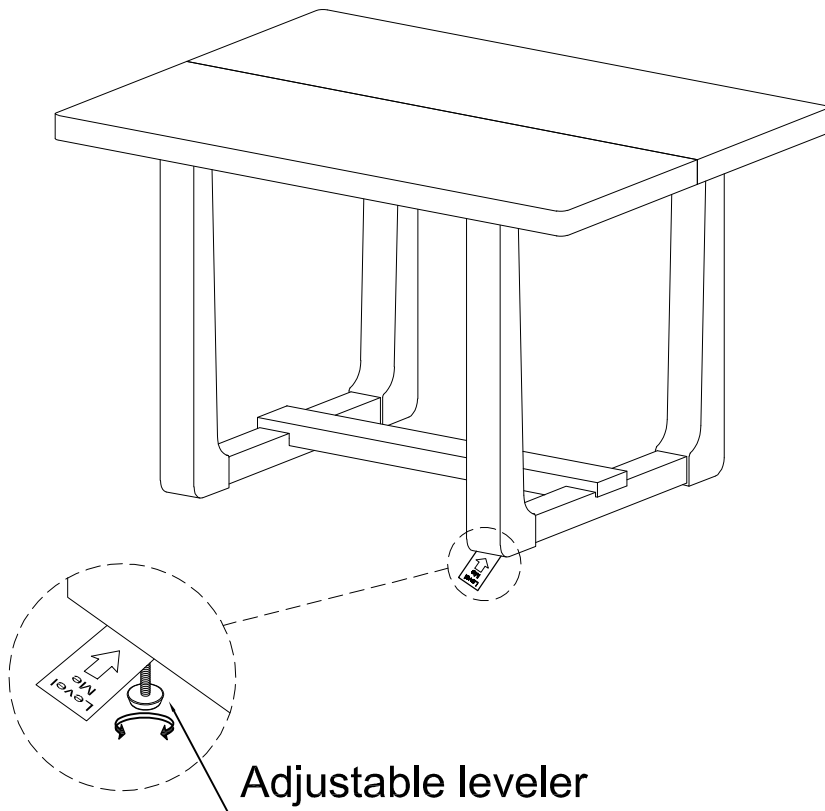
Hardware B x16pcs

Hardware C x16pcs

Hardware D x16pcs



## 6



### ASSEMBLY COMPLETED



Please ensure the furniture rests on an even and flat surface. If the product wobbles or feels loose, double-check all bolts and/or screws are properly tightened and secured.



#### Keep this handy!

Please retain this instruction manual and any order-related information for future reference.



#### Lift, don't drag!

To avoid damage to product please always LIFT the product when transporting or adjusting the placement.

This product is intended for RESIDENTIAL USE ONLY and not for commercial use.