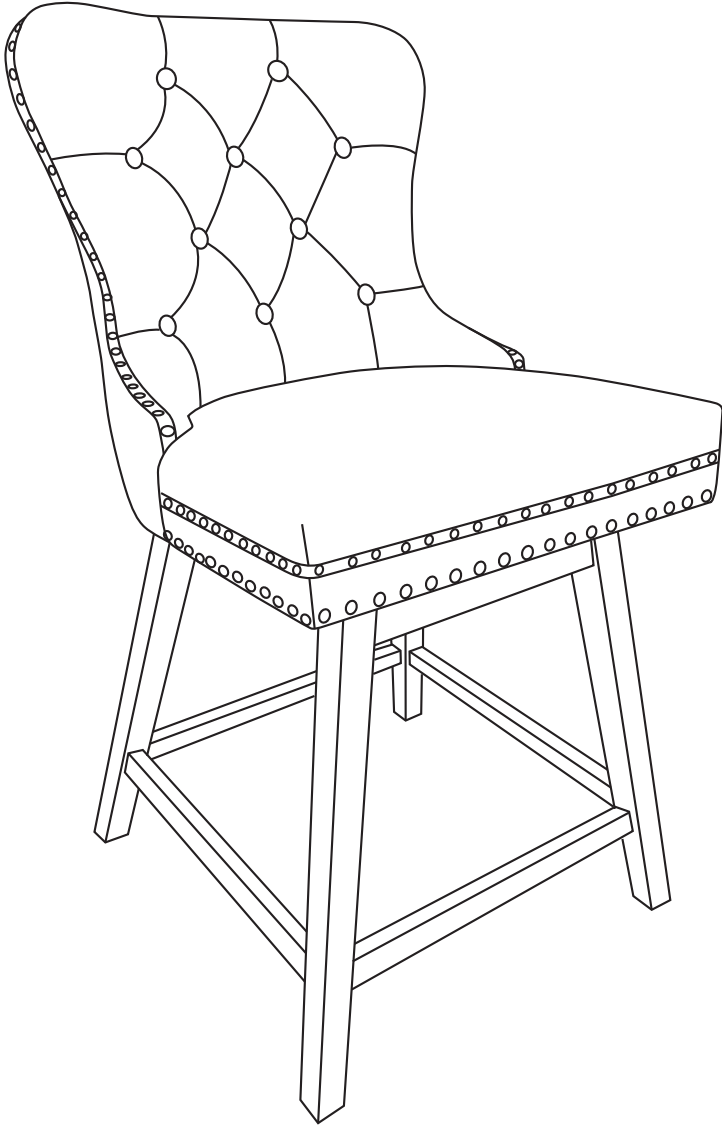
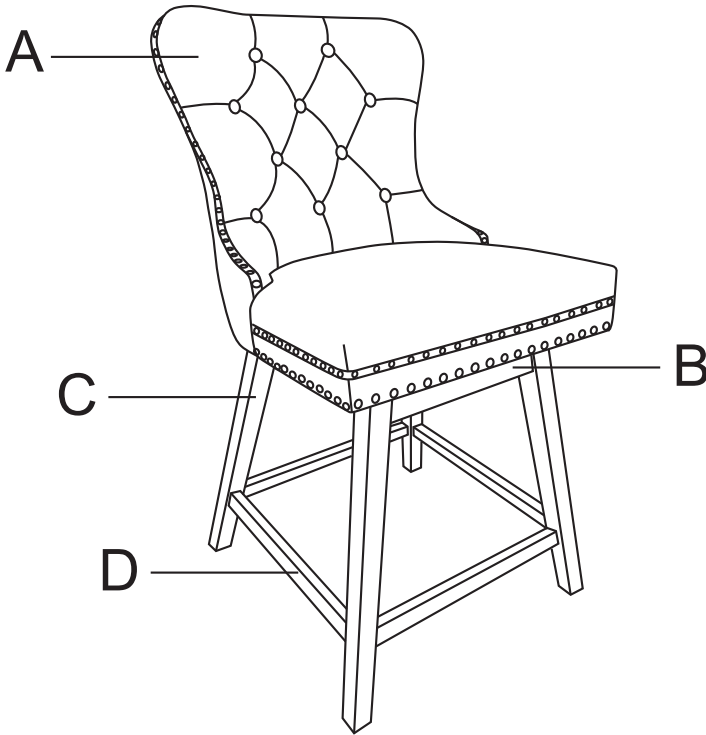




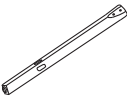
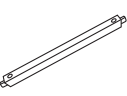









Swivel Bar Stool

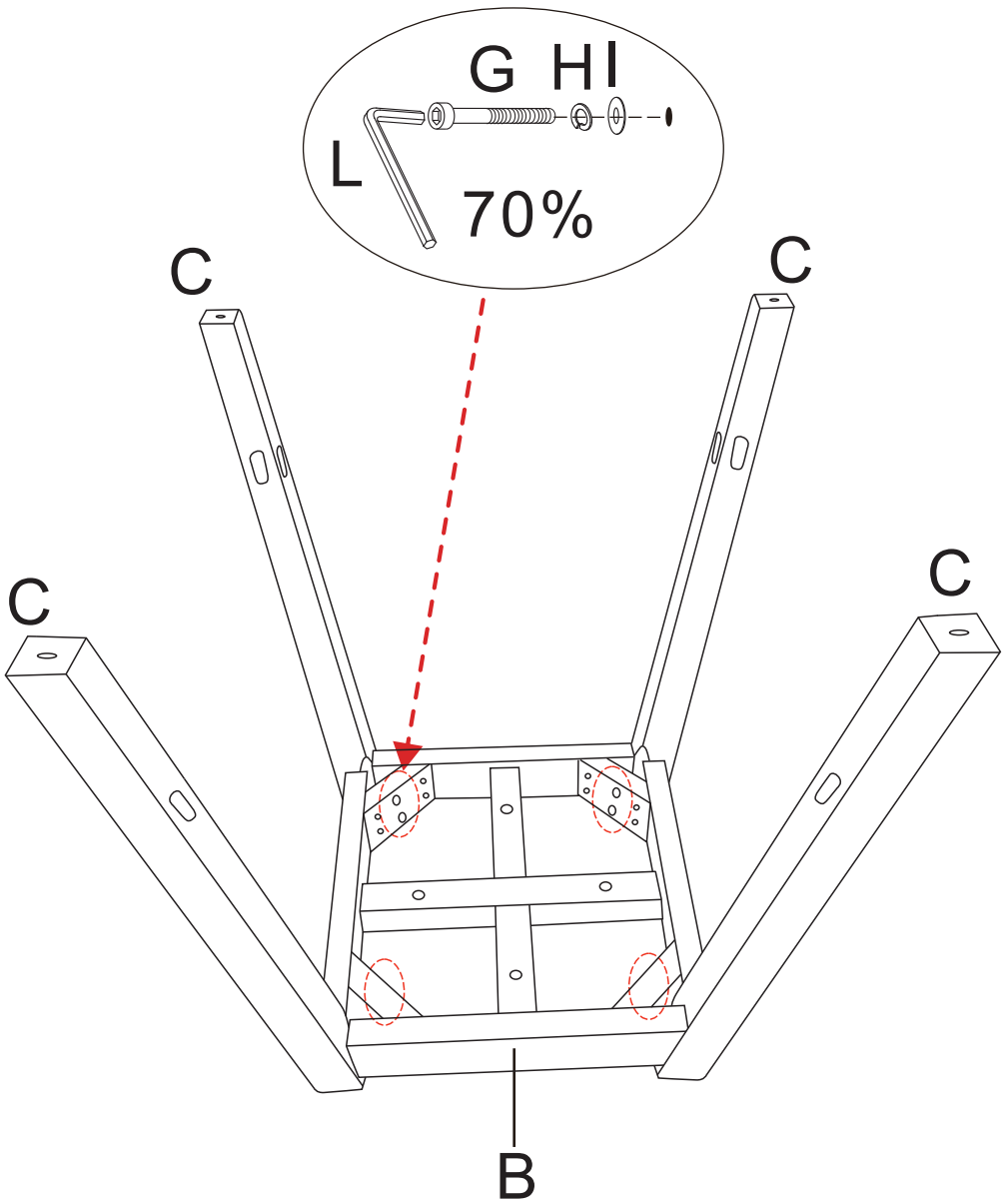


Assembly Instructions

- Please read carefully all instructions before assembly.
- For your safety and ease, assembly two or more adults is recommended.
- Please remain these instructions for future reference.



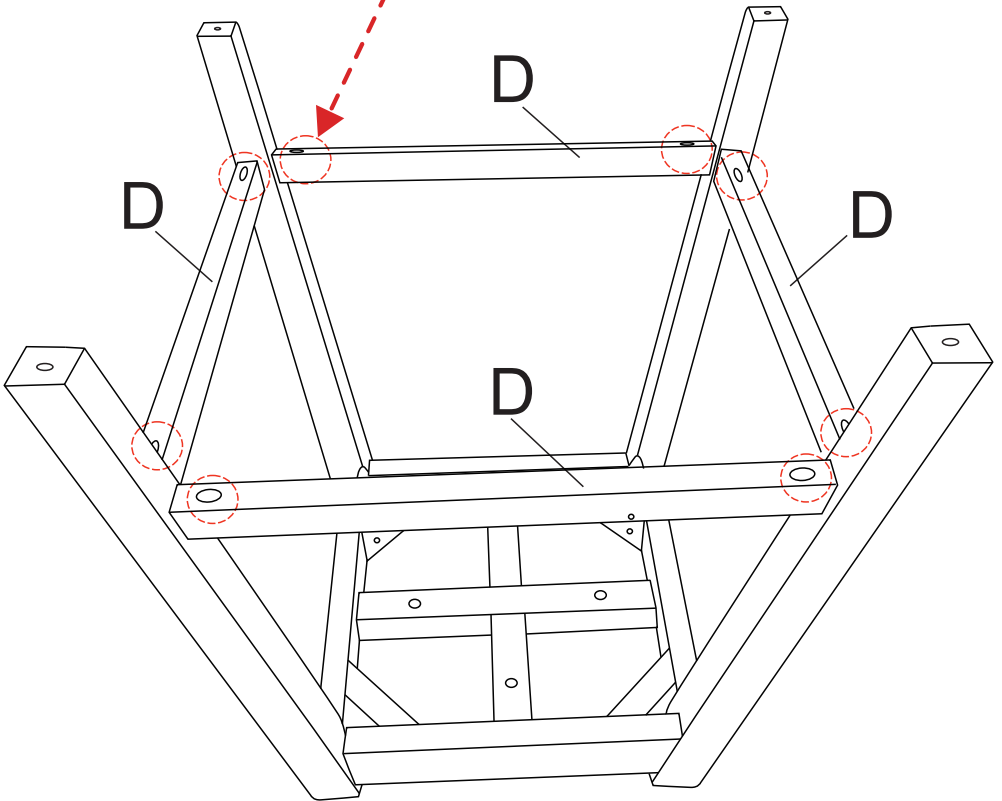
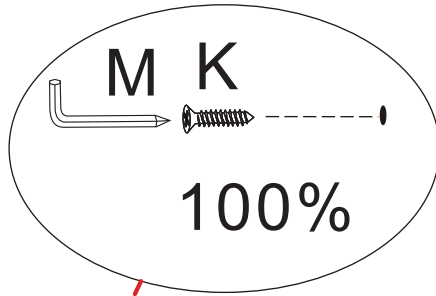
| | | | | | | |
|---|--|---|--|--|--|--|
| A×1  | B×1  | C×4  | D×4  | E×1  | F×4  | G×8  M8*70mm |
| H×8  | I×8  | J×8  M6*30mm | K×8  | L×1  | M×1  | |



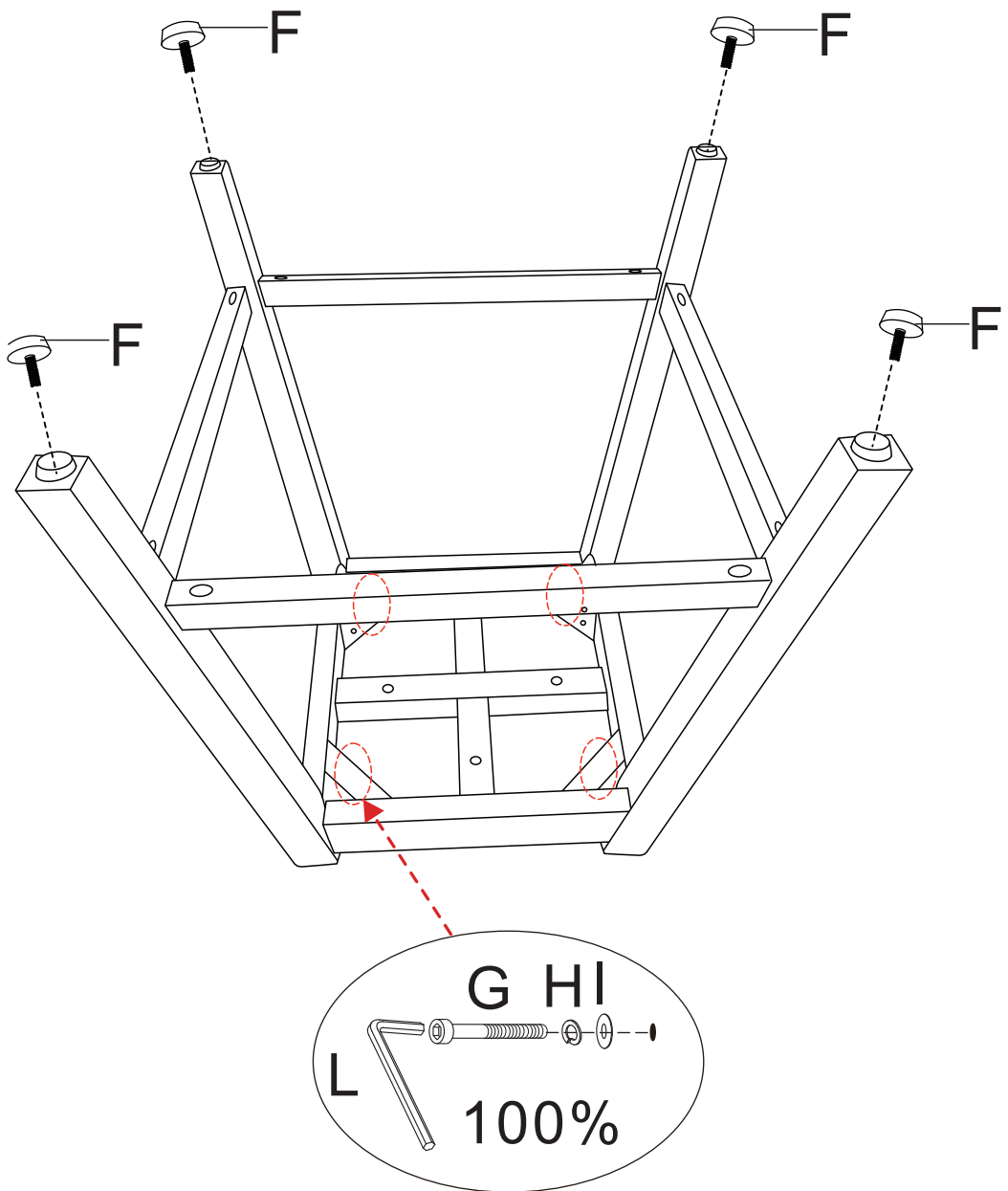
Step 1: Unpack and place out all the pieces on a clean, non-marring surface.

Step 2: Prepare the bolts-Insert (H) and gasket (I) into Bolt (G).

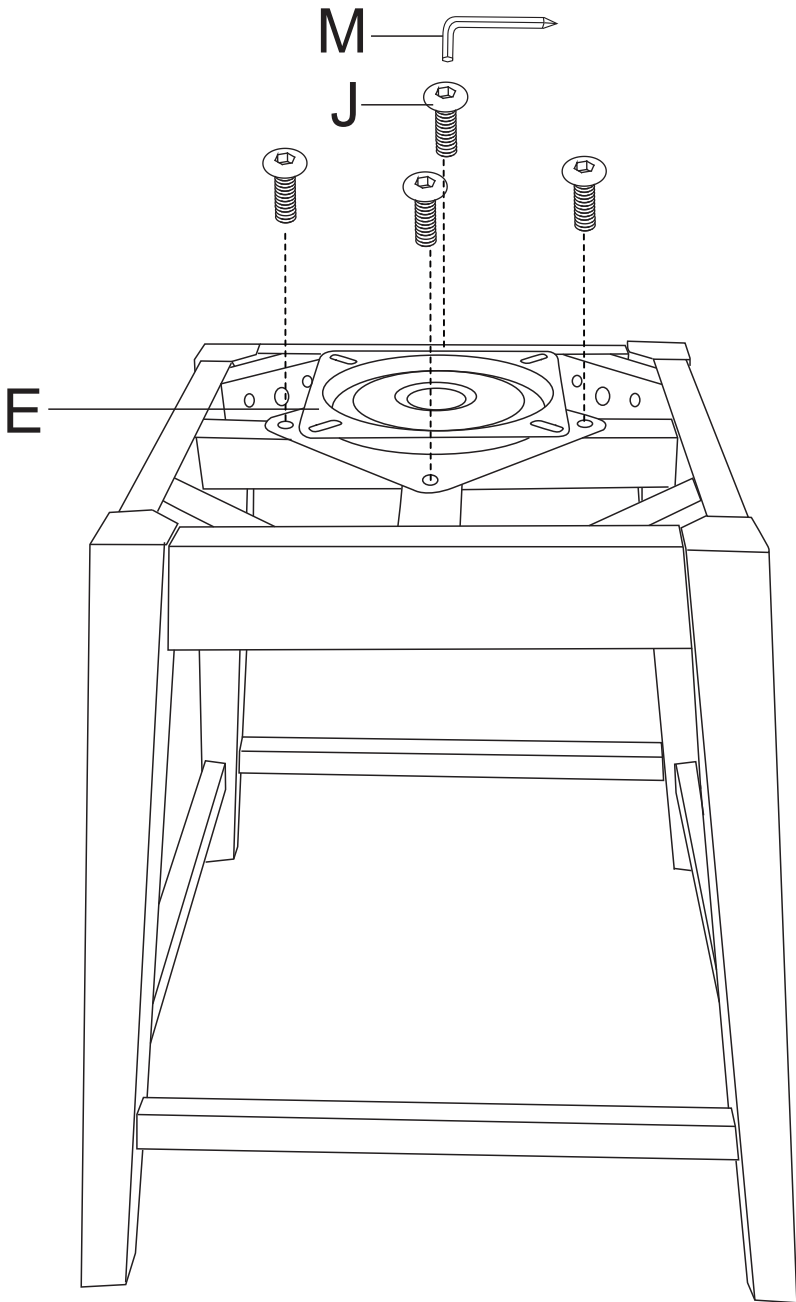
Step 3: Attach the legs (C) and base (B) by using M8*70mm Bolt (G). Tighten the bolts to 70% using the provided Allen wrench (L), do not tighten completely.



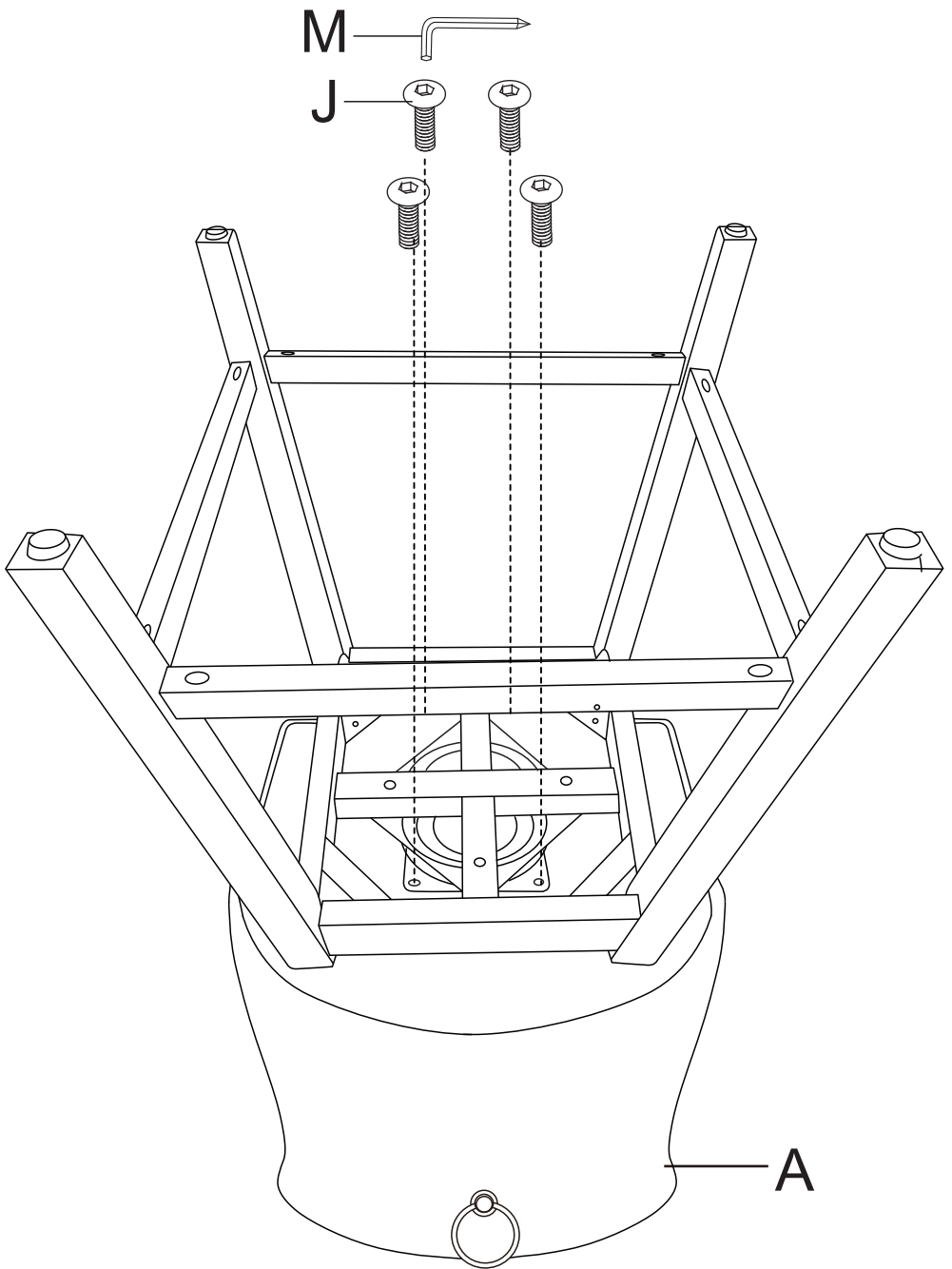
Step 4: Attach the Stretchers(D) to the Legs(C) by using two Bolts(K). Use the provided Wrench(M) to tighten the bolts securely completely.



Step 5: Return to step 3 and tighten the M8*70mm Bolt (G) completely using the Allen wrench (L). Screw in the four Levelers(F) into the bottom of the Leg (C) by hand.

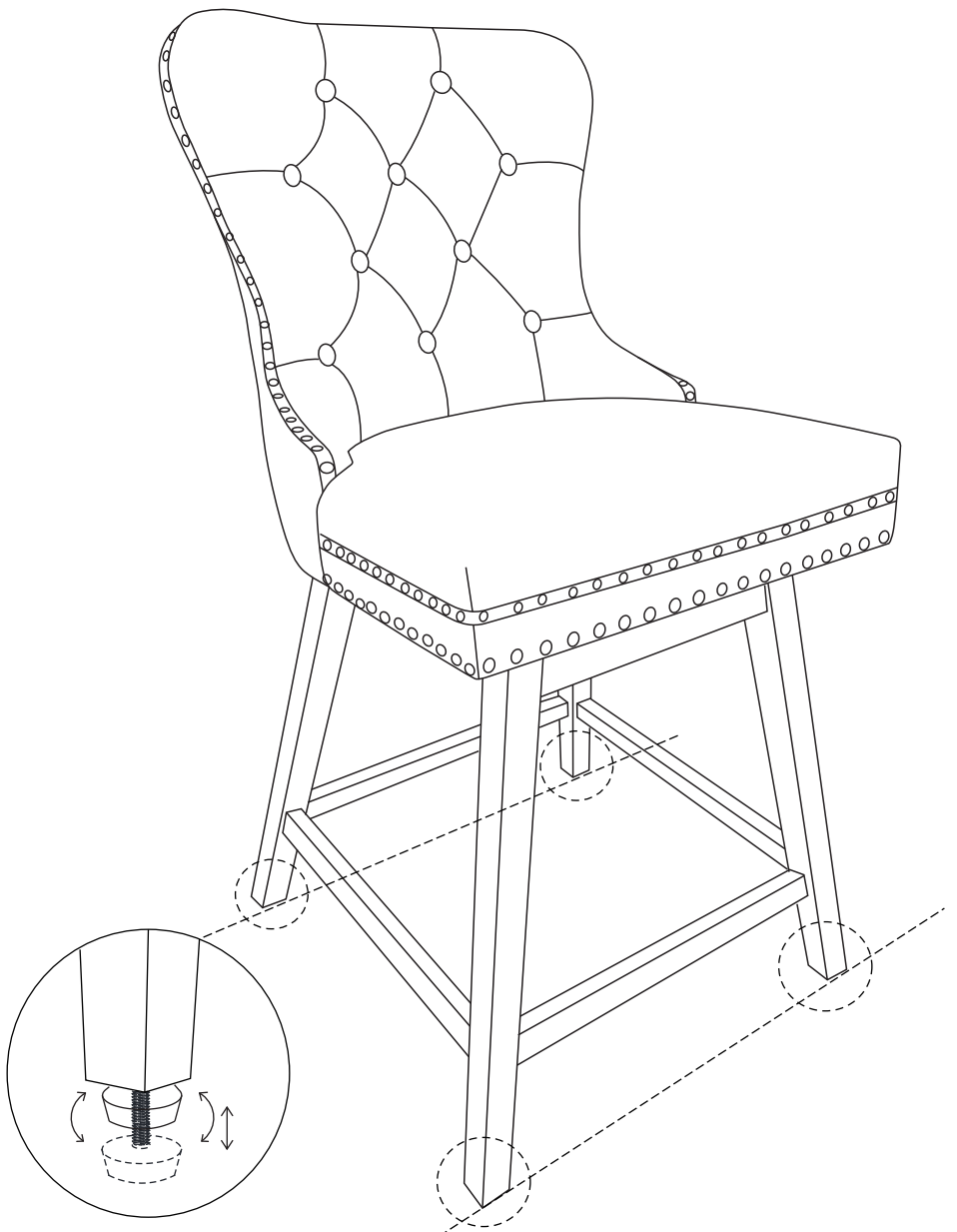


Step 6: Confirm the swivel Mechanism(E) can rotate 360°. Attach the Swivel Mechanism(E) to the assembled Leg Frames(B&C&D) in step 5. Use four M6*30mm Bolts(J) and screw them firmly with Wrench(M).



Step 7: Place the Chair upside down on a table.

Attach the Seat (A) to the assembled Leg Frames(B&C&D) in step 6. Use four M6*30mm Bolts(J) and screw them firmly with Wrench(M).



Adjust the adjuster bolt to keep the chair level again

Step 8: Turn up the barstool and it is ready for use.
Adjust the adjuster bolt to keep the chair level again.
Enjoy your new barstool.