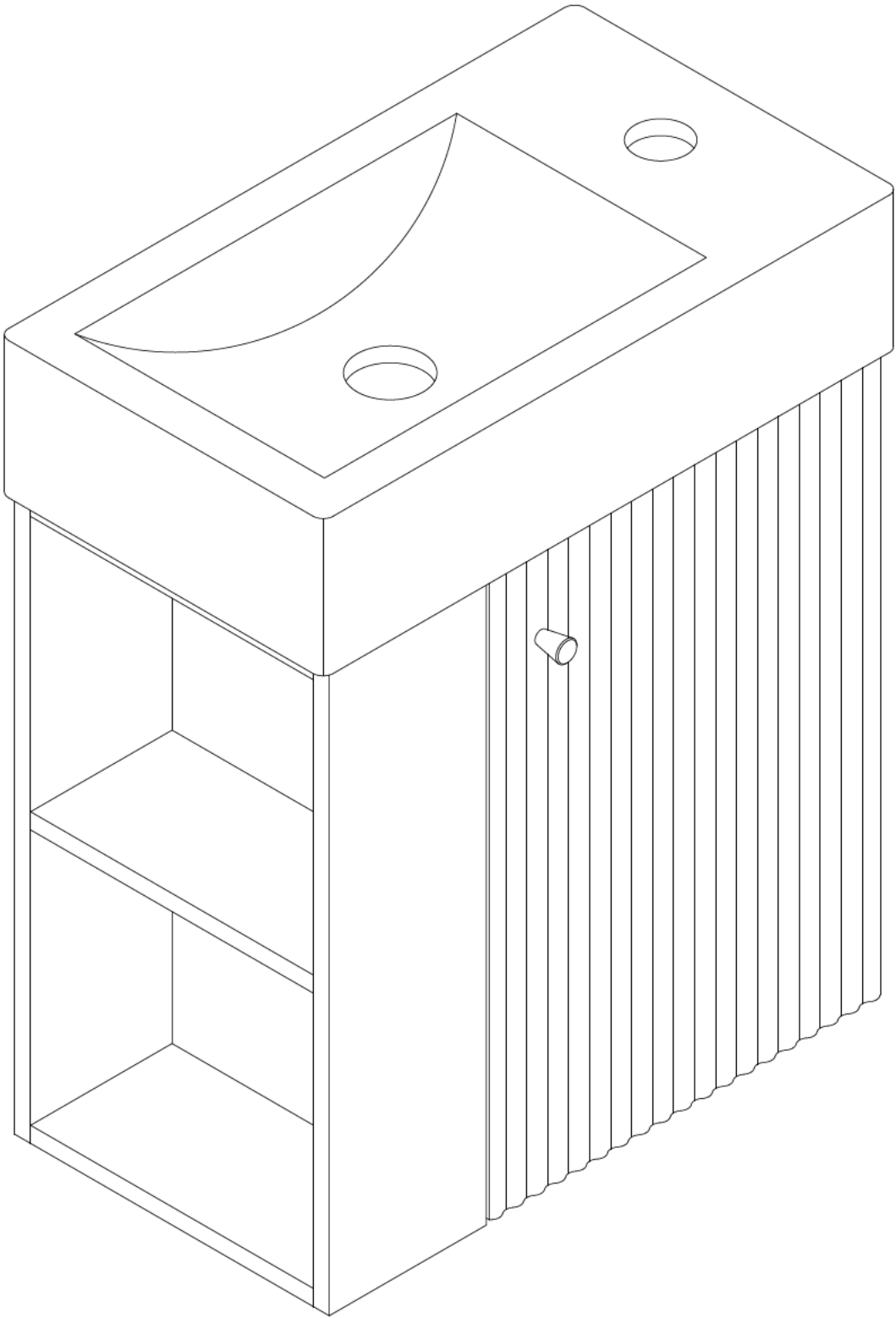
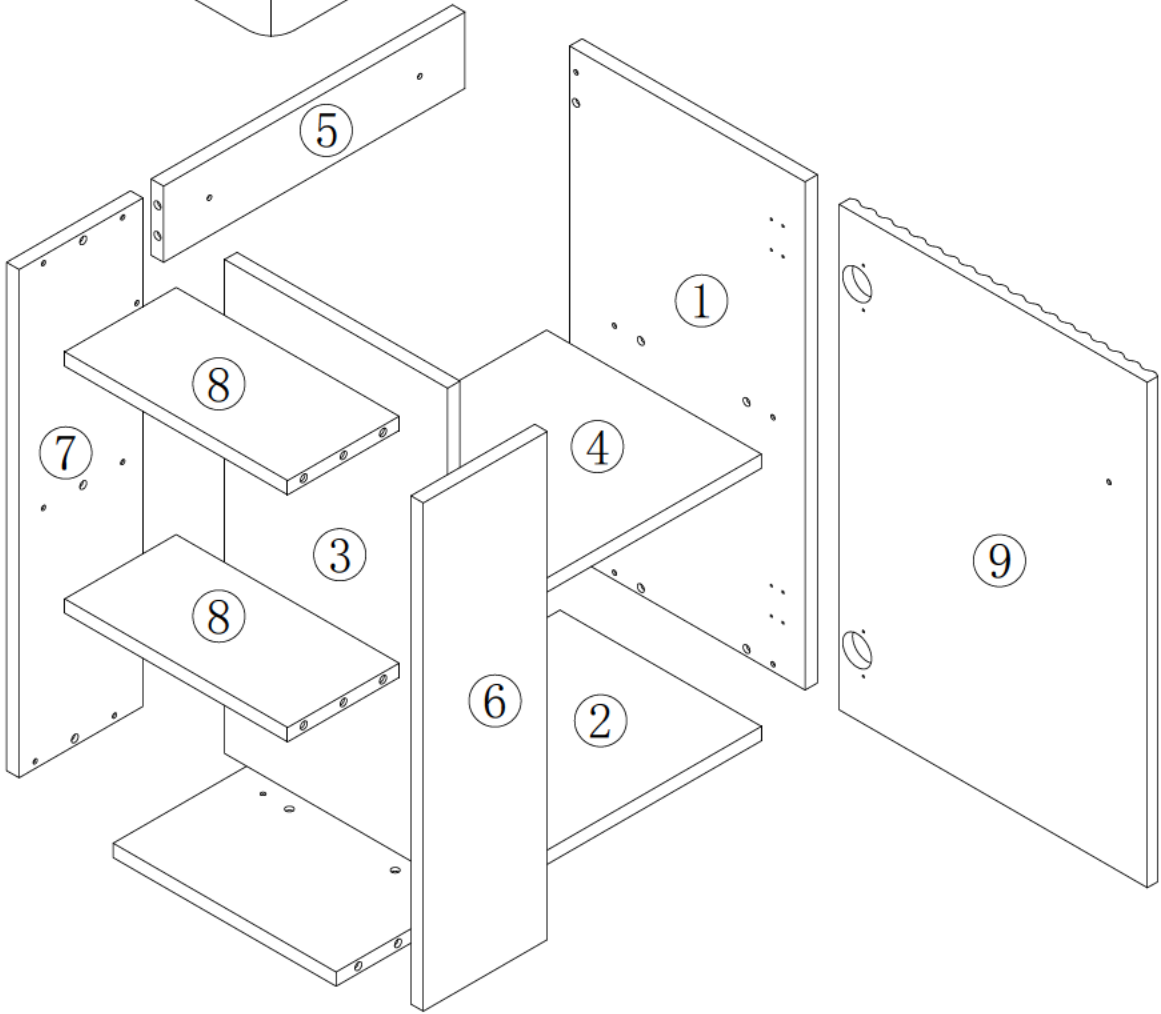
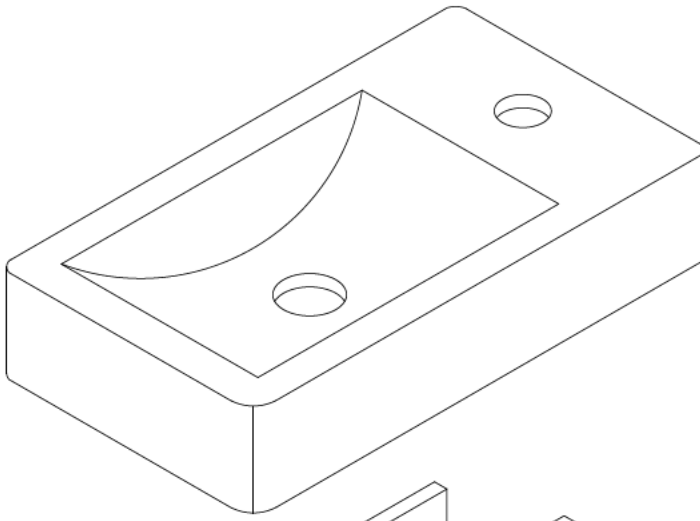
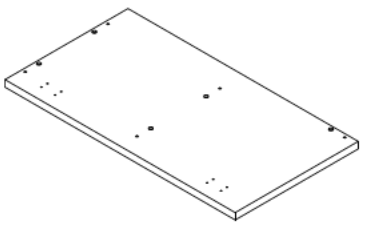
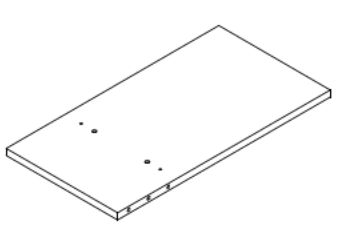
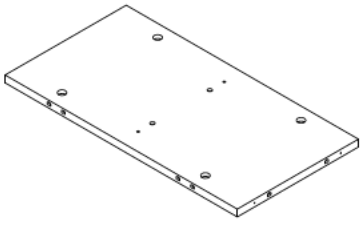
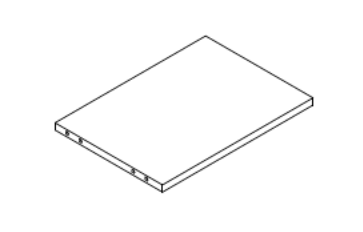
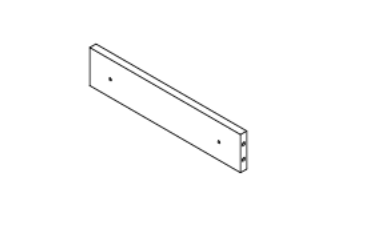
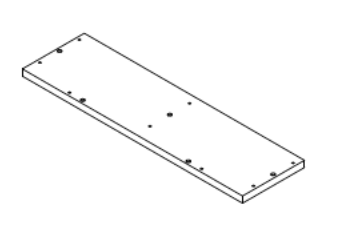
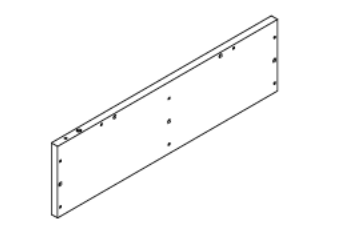
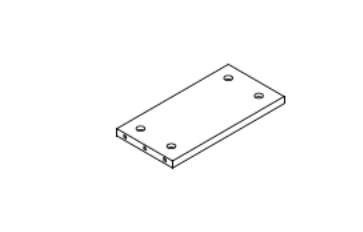
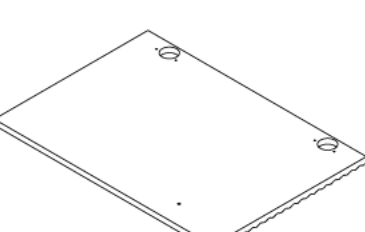
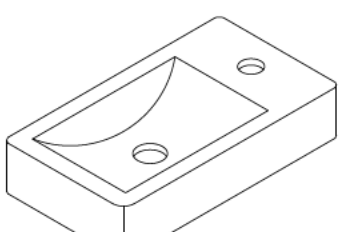
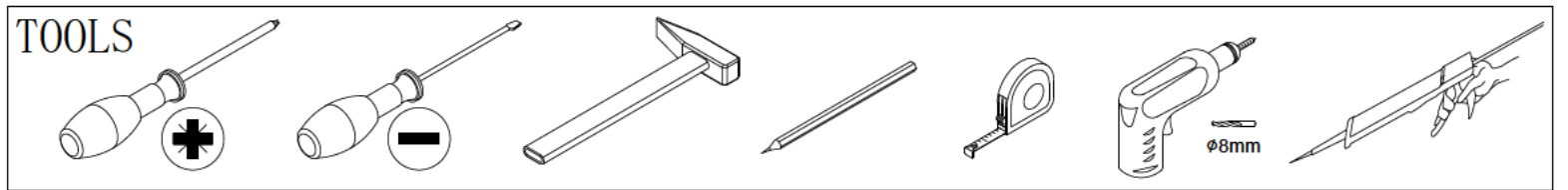


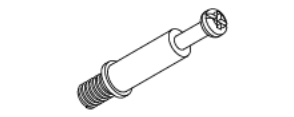

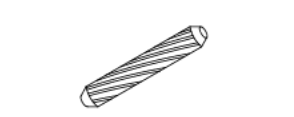


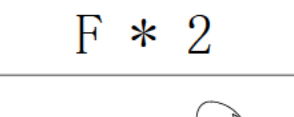
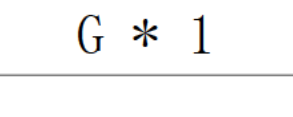
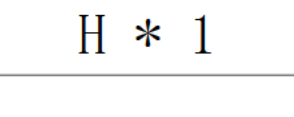
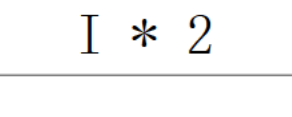
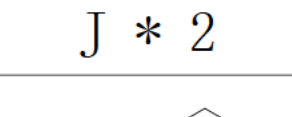
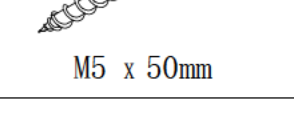
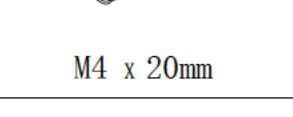
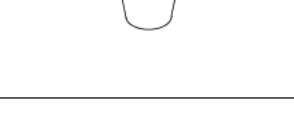
ASSEMBLY INSTRUCTION








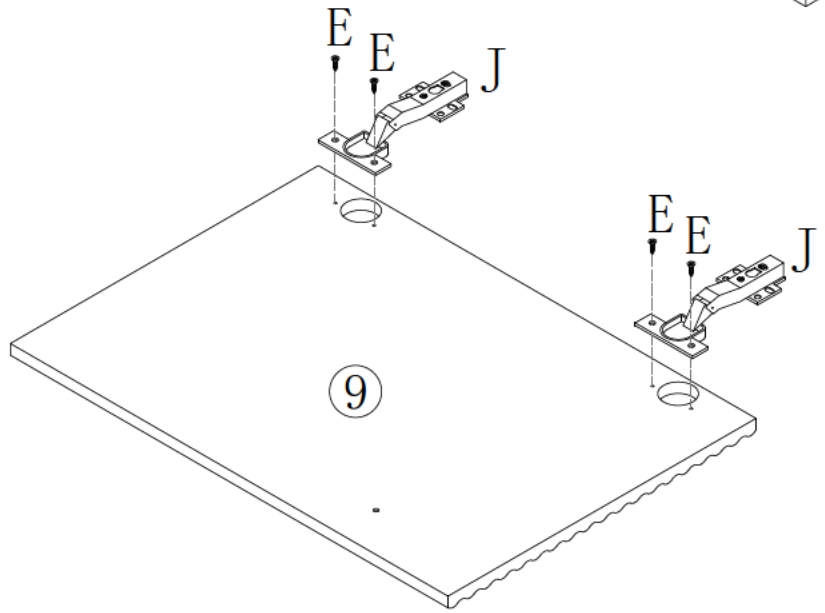
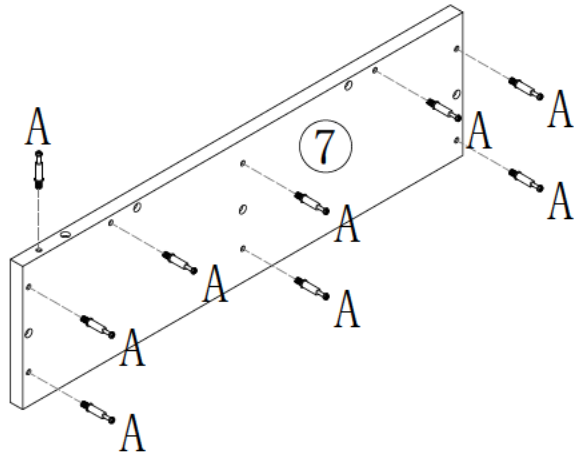
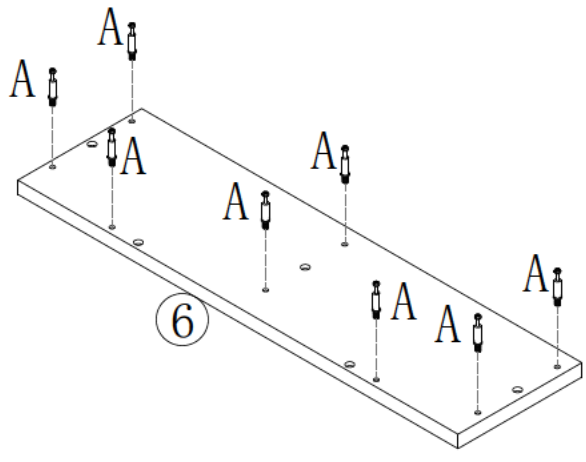
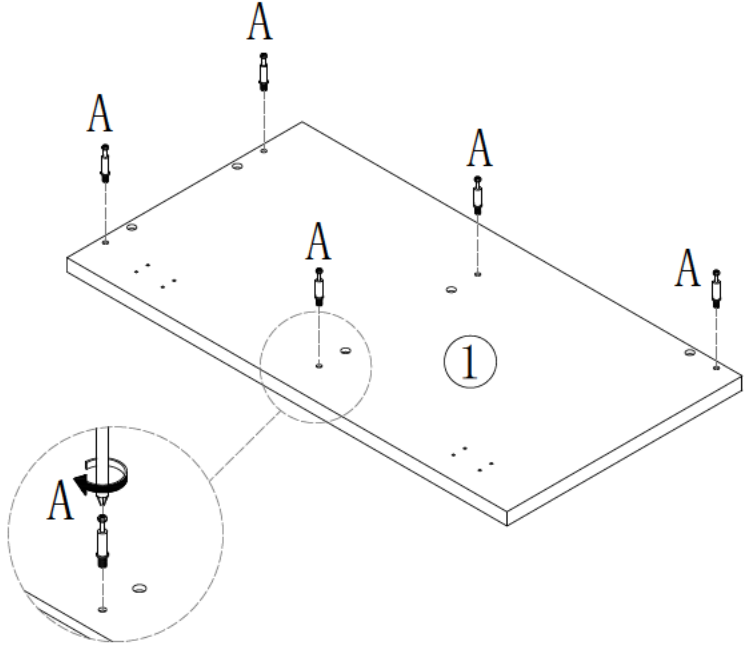
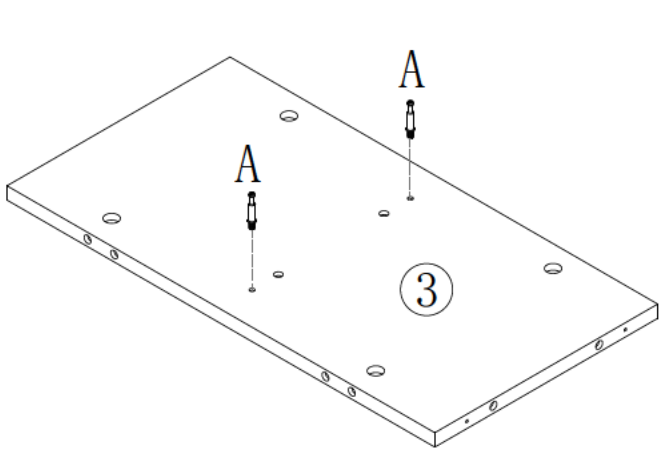
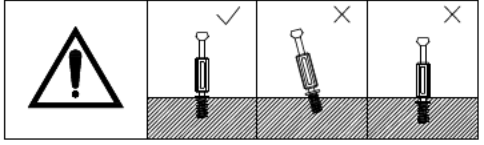
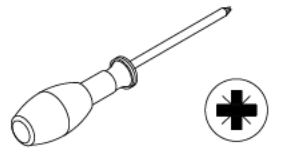
			
① x1	② x1	③ x1	④ x1
			
⑤ x1	⑥ x1	⑦ x1	⑧ x2
			
⑨ x1			






A * 24	B * 24	C * 20	D * 12	E * 12
				
M6 X 35mm	Ø15 x 12mm	Ø8 x 30mm	M4 x 14mm	M4 x 14mm
F * 2	G * 1	H * 1	I * 2	J * 2
				
M5 x 50mm	M4 x 20mm			Ø35
K * 2	L * 2	M * 2		
				
Ø6 x 30mm	Ø20	M4 x 35mm		

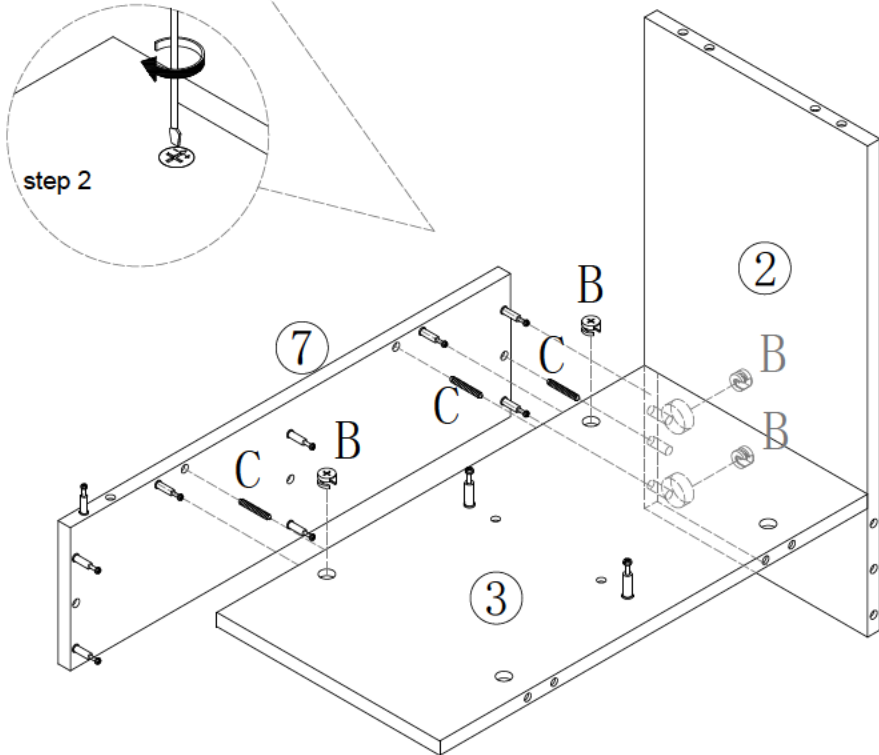
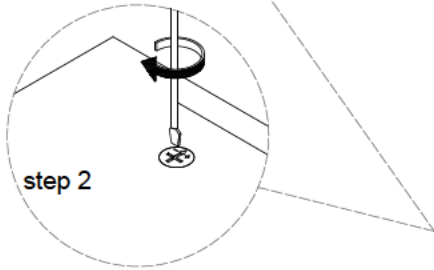
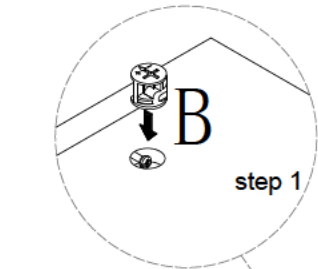
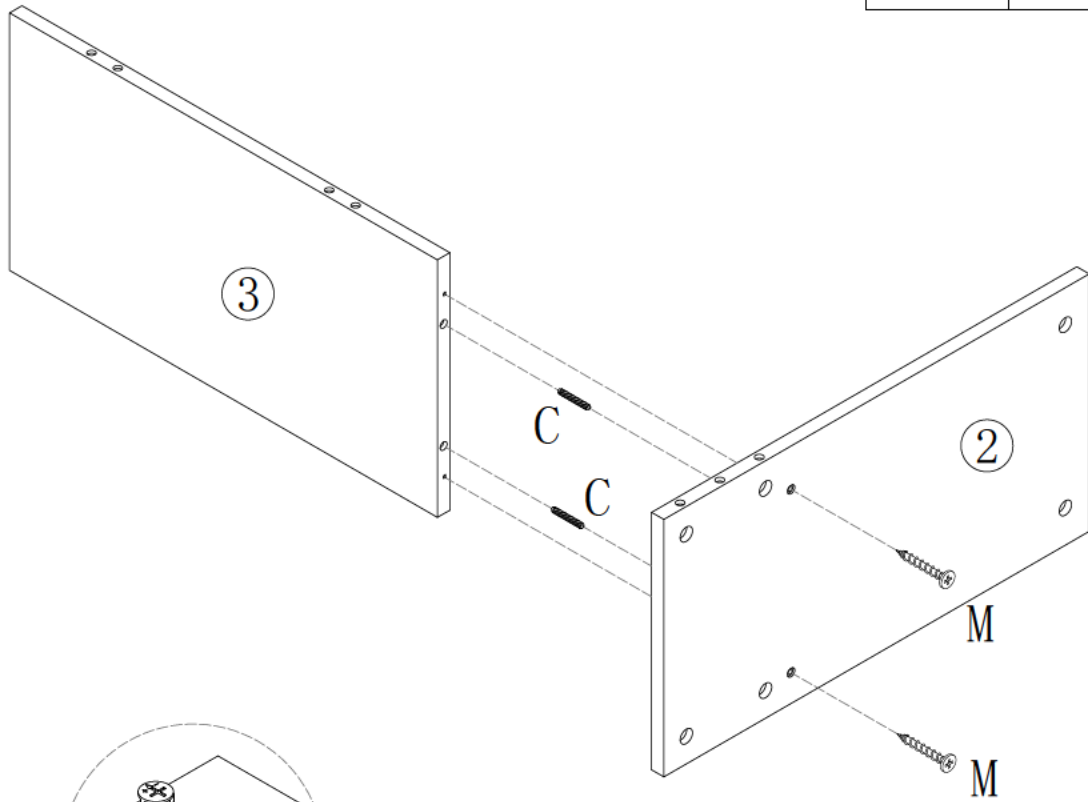
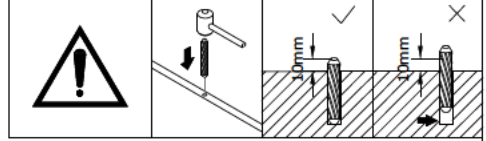
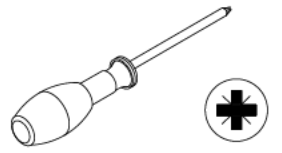
Step 1

A * 24	E * 4	J * 2
 M6 X 35mm	 M4 x 14mm	 Ø35





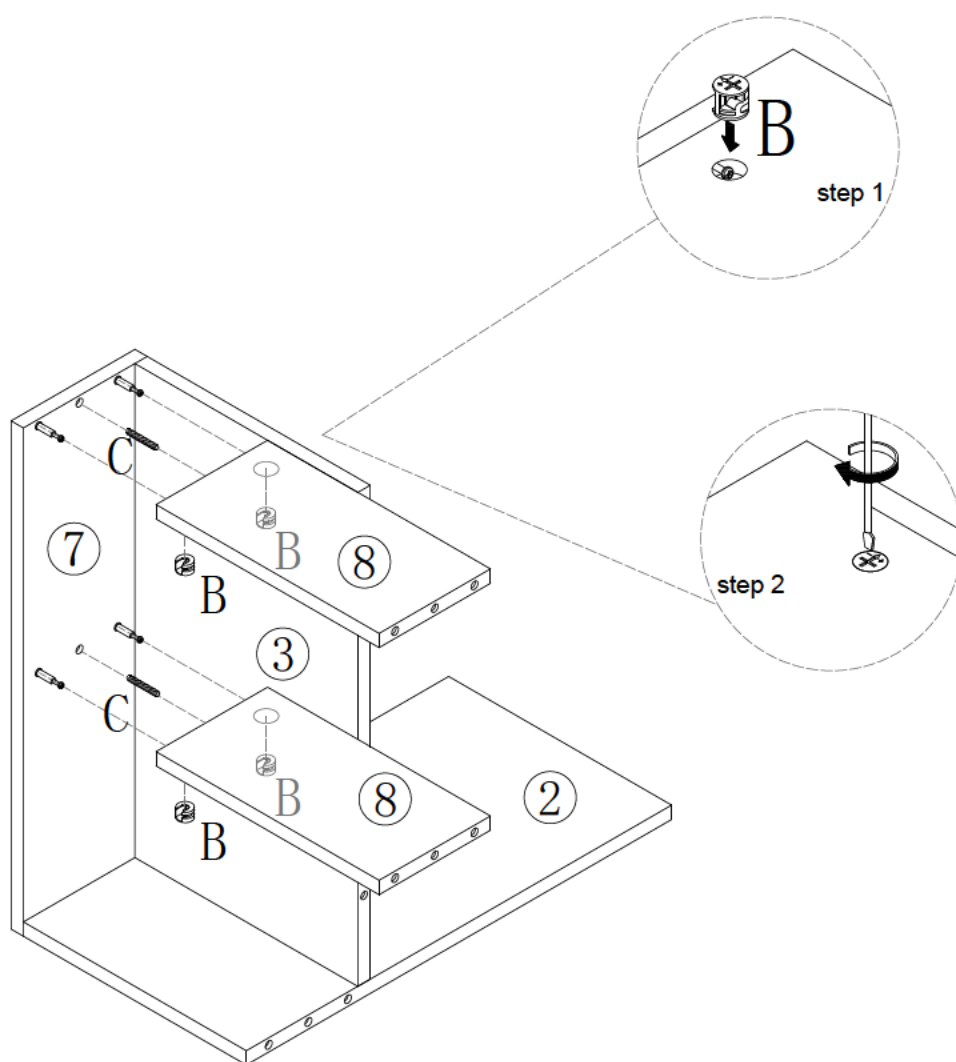
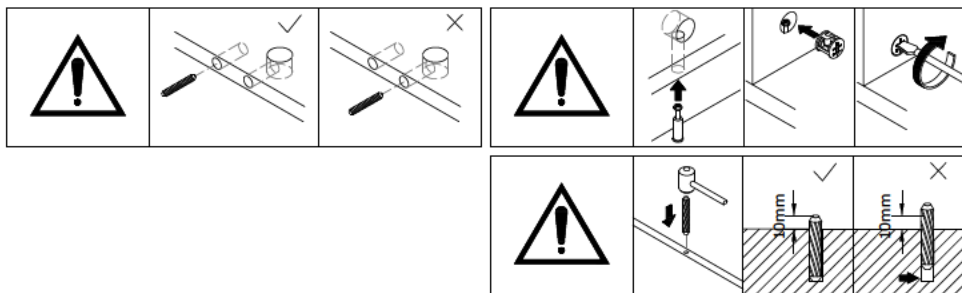
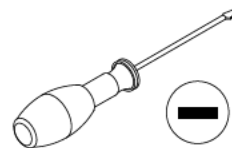
Step 2

C * 5  Ø8 X 30mm	B * 4  Ø15 x 12mm	M * 2  M4 x 35mm
---------------------------------------------------------------------------------------------------------	----------------------------------------------------------------------------------------------------------	---------------------------------------------------------------------------------------------------------





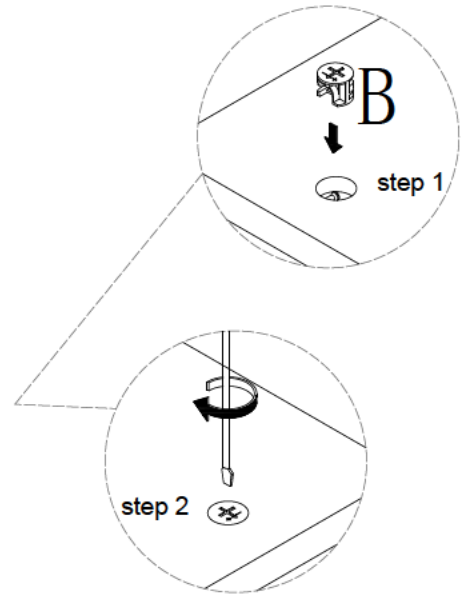
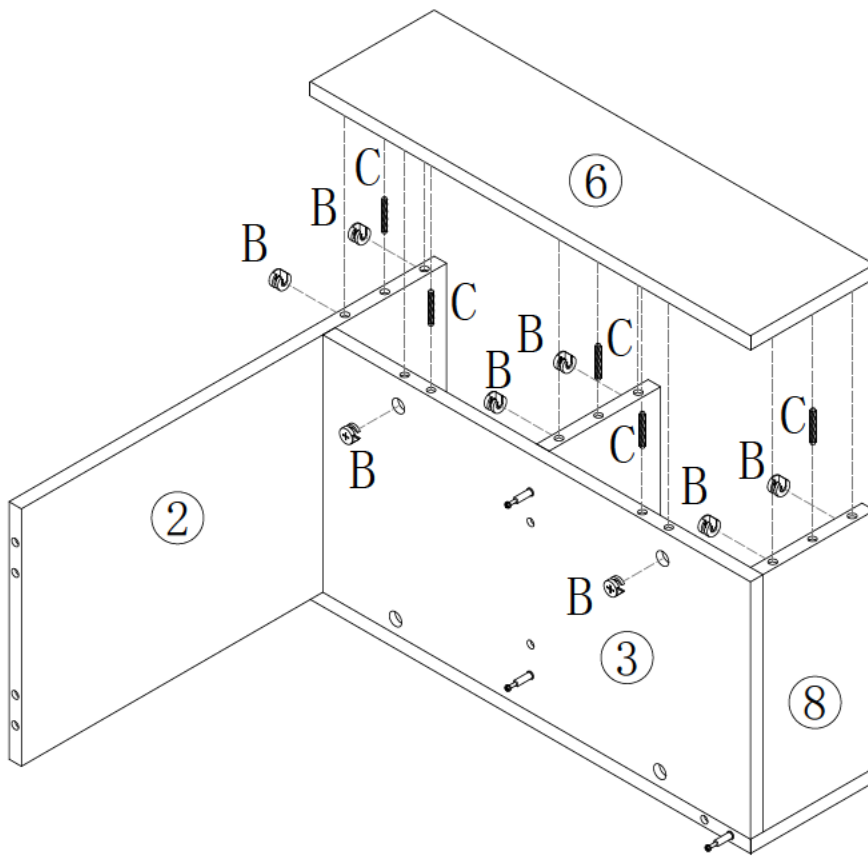
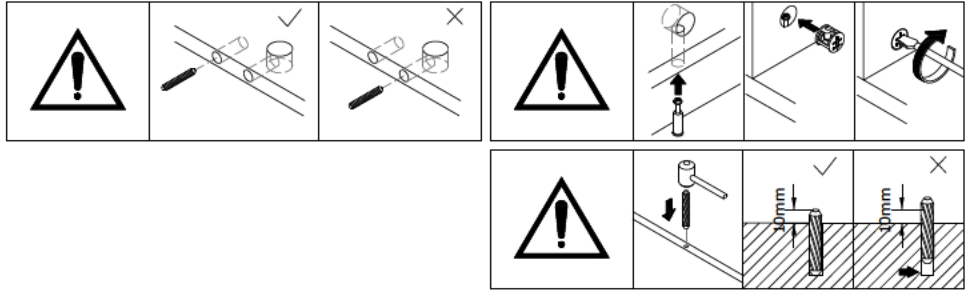
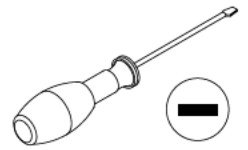
Step 3

B * 4	C * 2
 Ø15 x 12mm	 Ø8 x 30mm





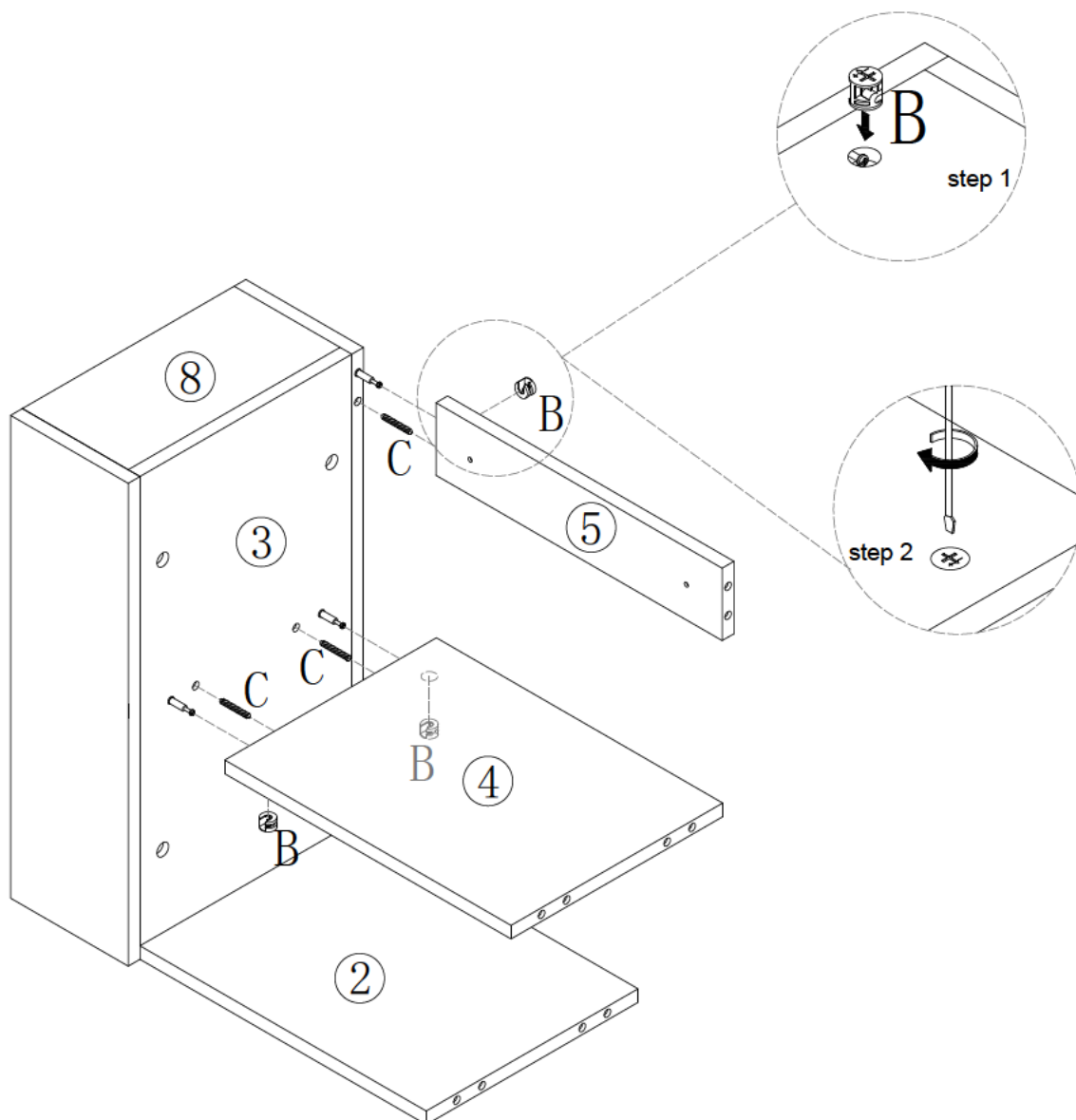
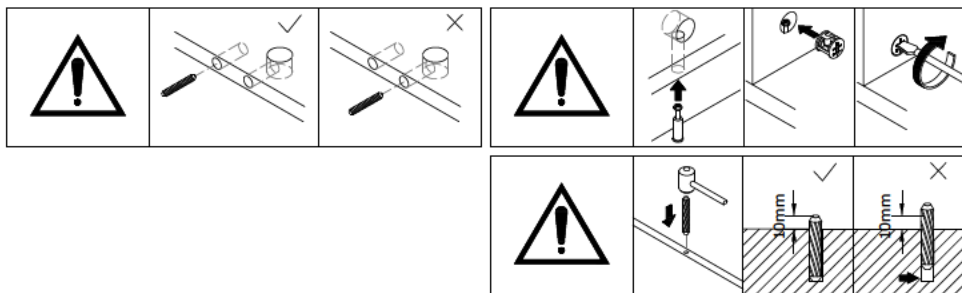
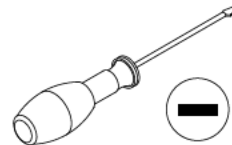
Step 4

B * 8	C * 5
 Ø15 x 12mm	 Ø8 x 30mm





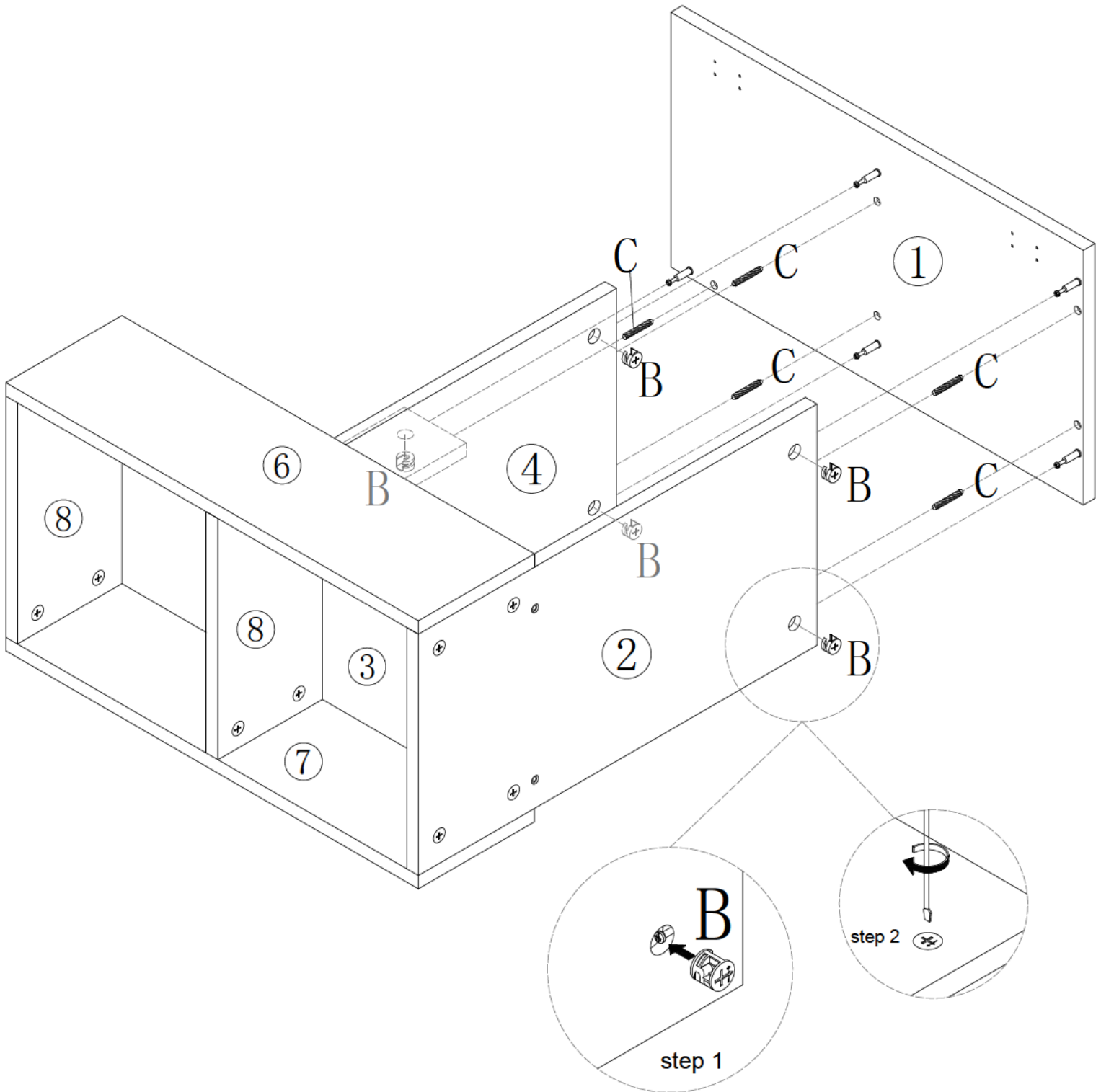
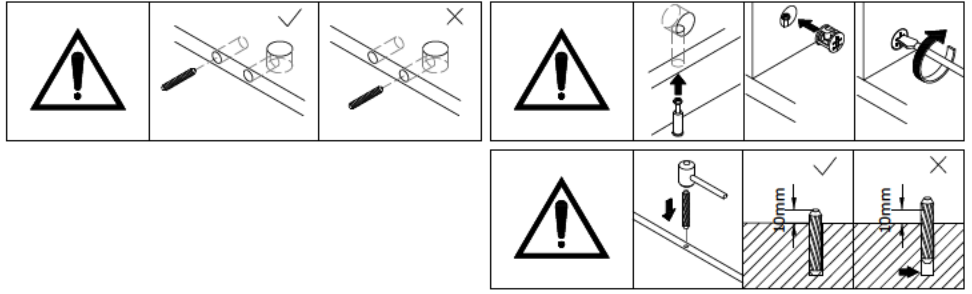
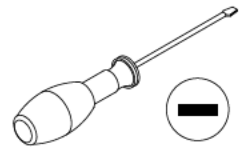
Step 5

B * 3	C * 3
 Ø15 x 12mm	 Ø8 x 30mm

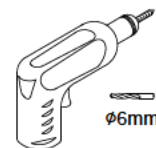


Step 6

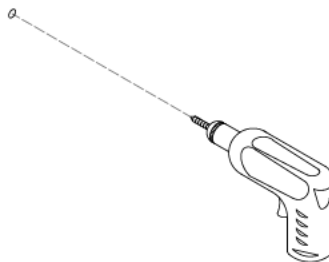
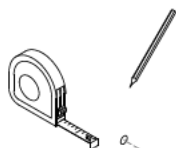
B * 5	C * 5
 Ø15 x 12mm	 Ø8 x 30mm



Step 7



Wall



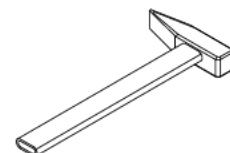
Please mark the location on the wall with a pencil, then punch the hole

Setp 8

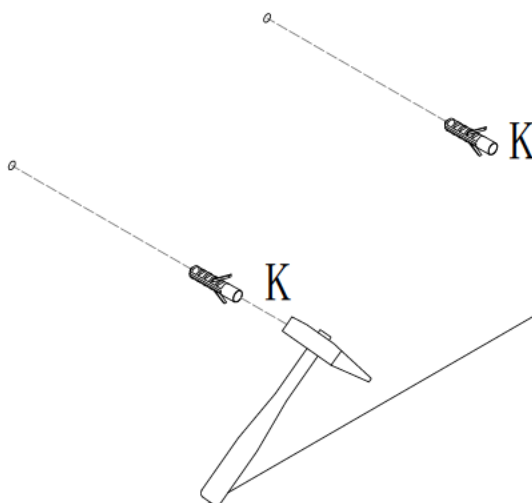
K * 2



Ø6 x 30mm



Wall



Step 9

L * 2

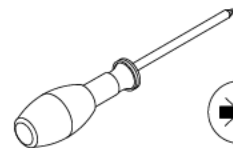
F * 2



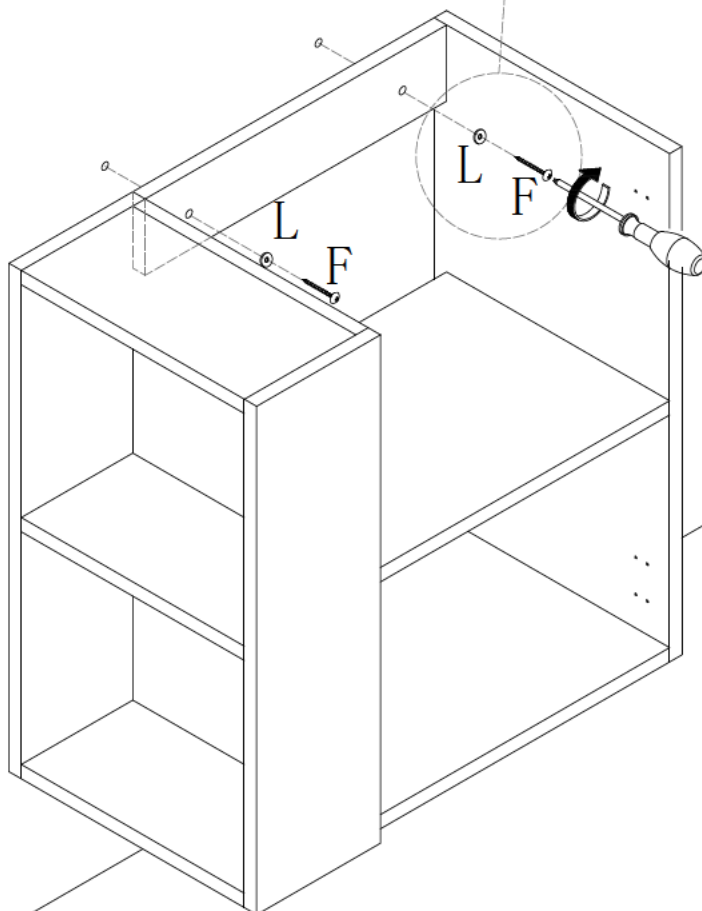
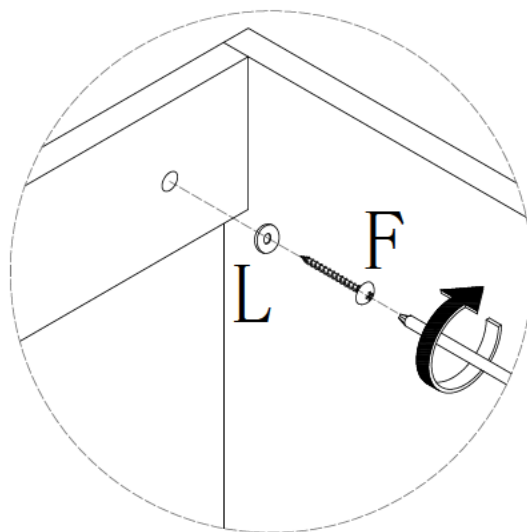
Ø16






M5 x 50mm

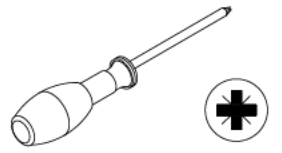


Wall

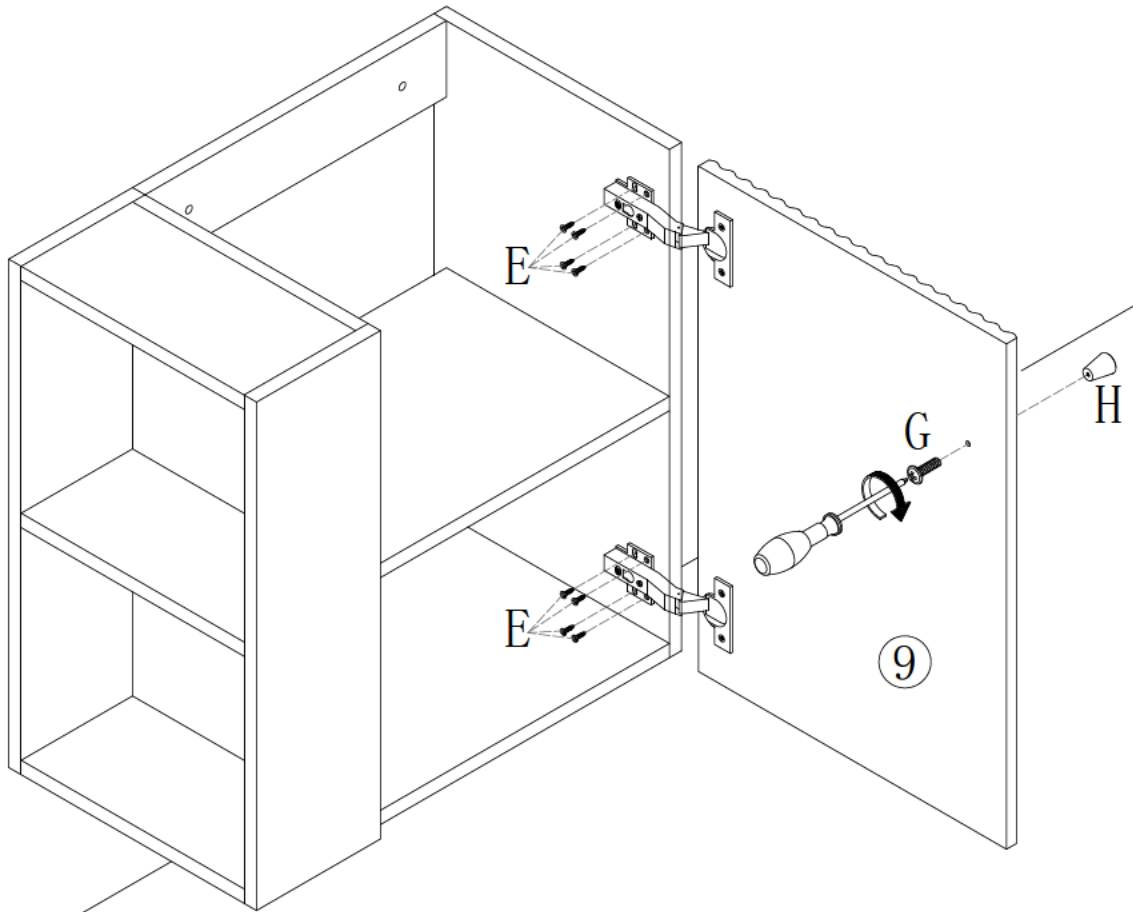


Step 10

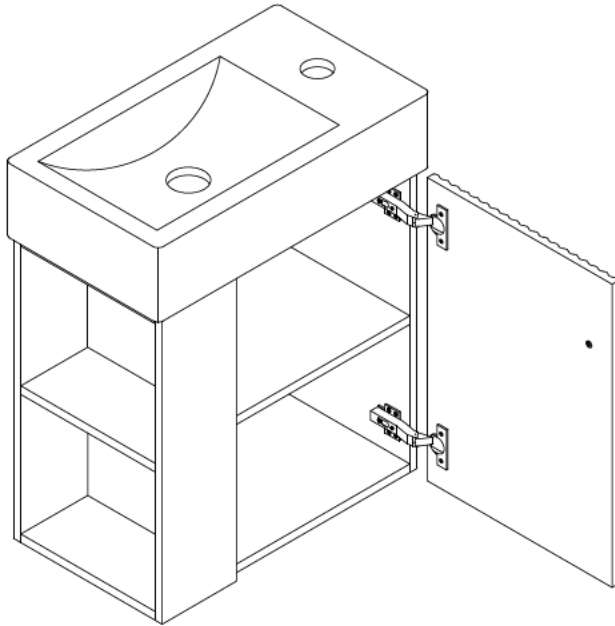
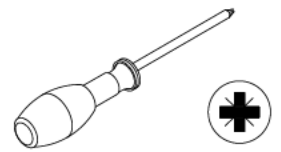
E * 8  M4 x 14mm	G * 1  M4 x 20mm	H * 1 
---------------------------------------------------------------------------------------------------------	---------------------------------------------------------------------------------------------------------	--------------------------------------------------------------------------------------------



Wall

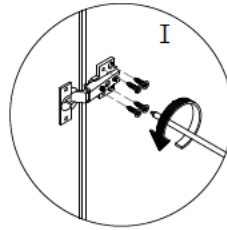


Step 11

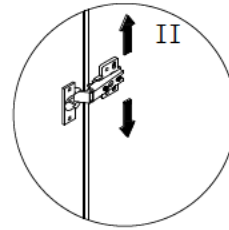


Adjust door following the direction.

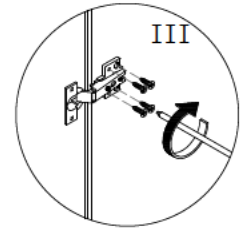
Adjust the door up and down to match the cabinet.



I:loosen the screw.



II:Adjust the upper and lower position.

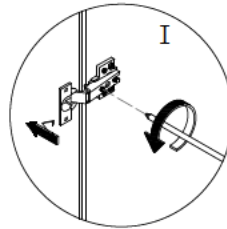


III:tighten the screw.

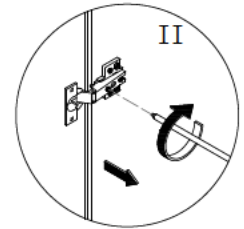


When the door position is not standard,please adjust the door according to the right picture.

Adjust the door left and right to match the cabinet for suitable crack of the door



I:loosen the screw to keep hinge apply force toward the direction of arrow.

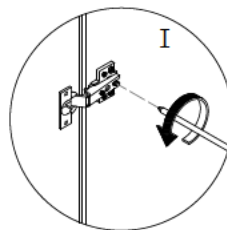


II:tighten the screw to keep hinge apply force toward the direction of arrow.

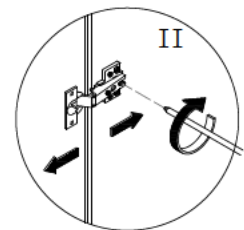


Please place the cabinet on the flat floor before adjustment.

Adjust the door backwards and forwards to match the cabinet.

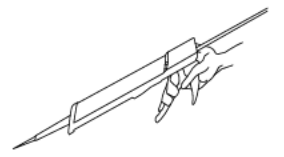


I:loosen the screw.

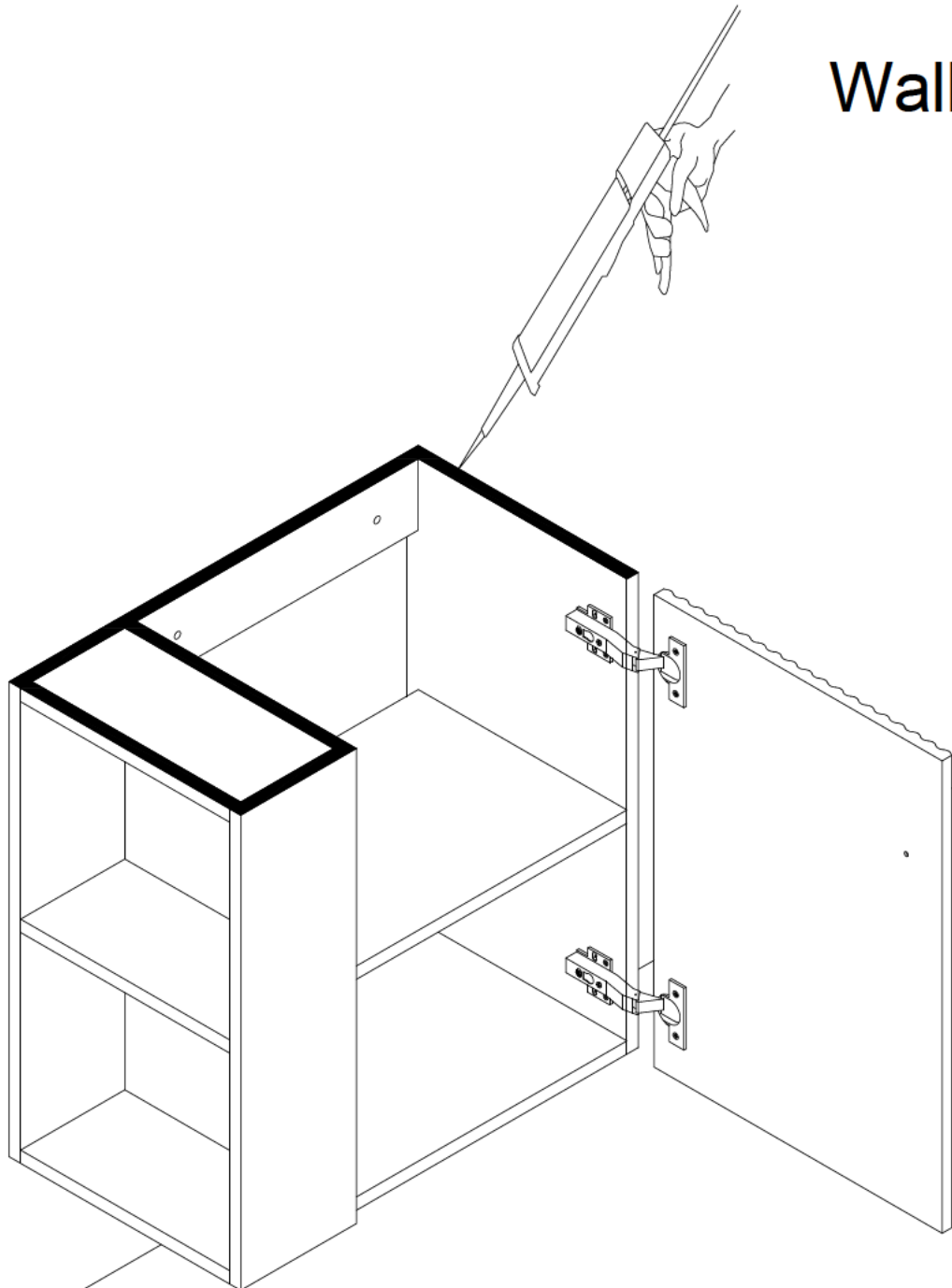


II:Adjust the distance between front and back.

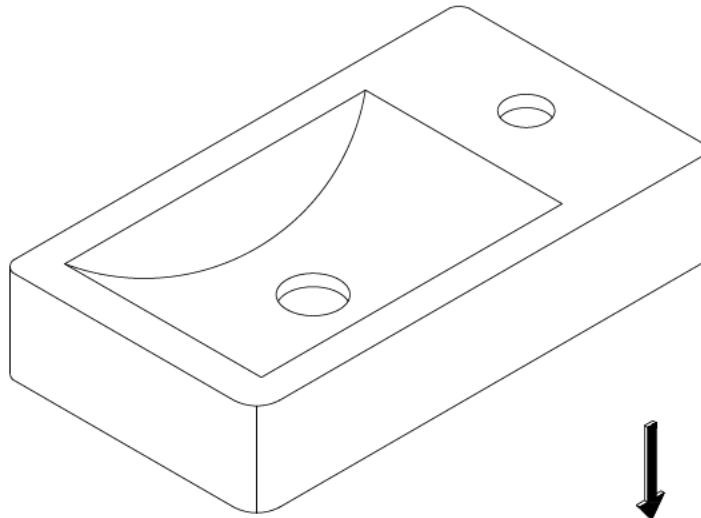
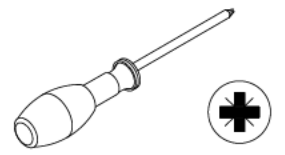
Step 12



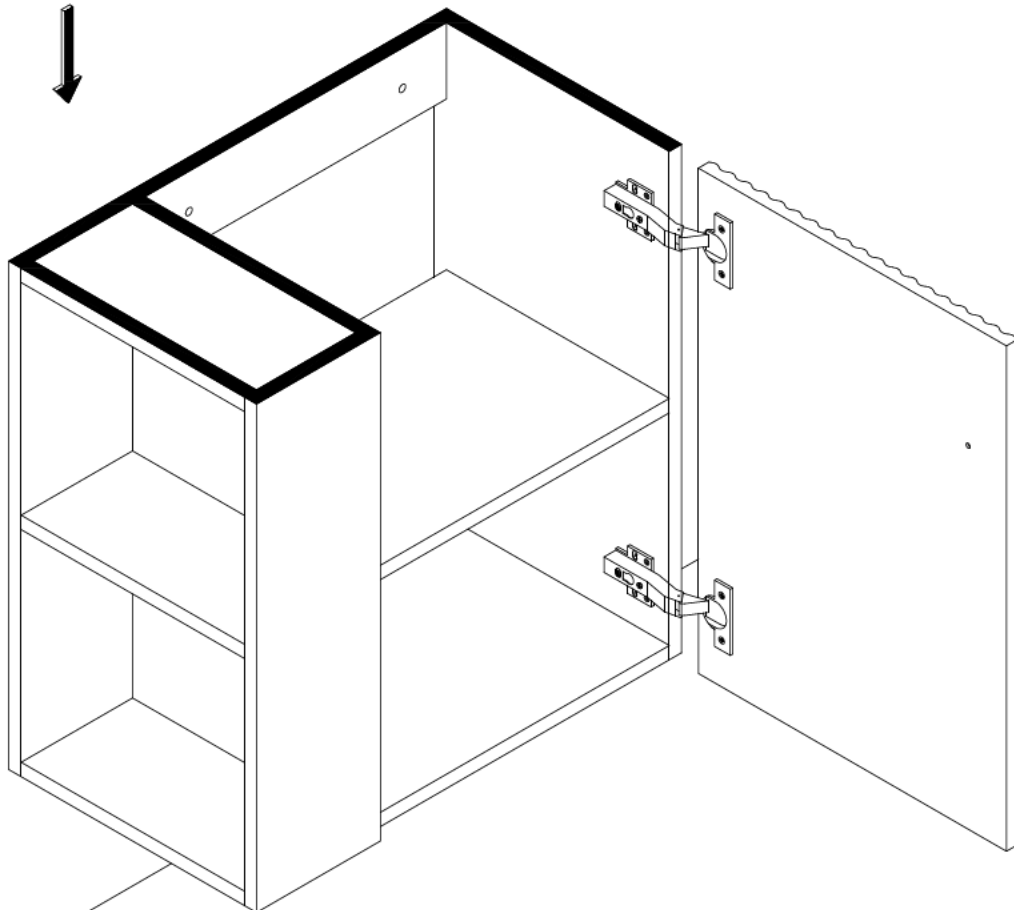
Wall



Step 13



Wall



Step 14

