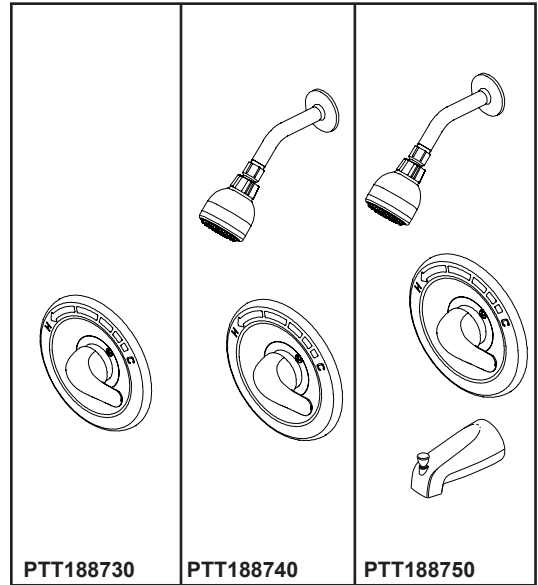
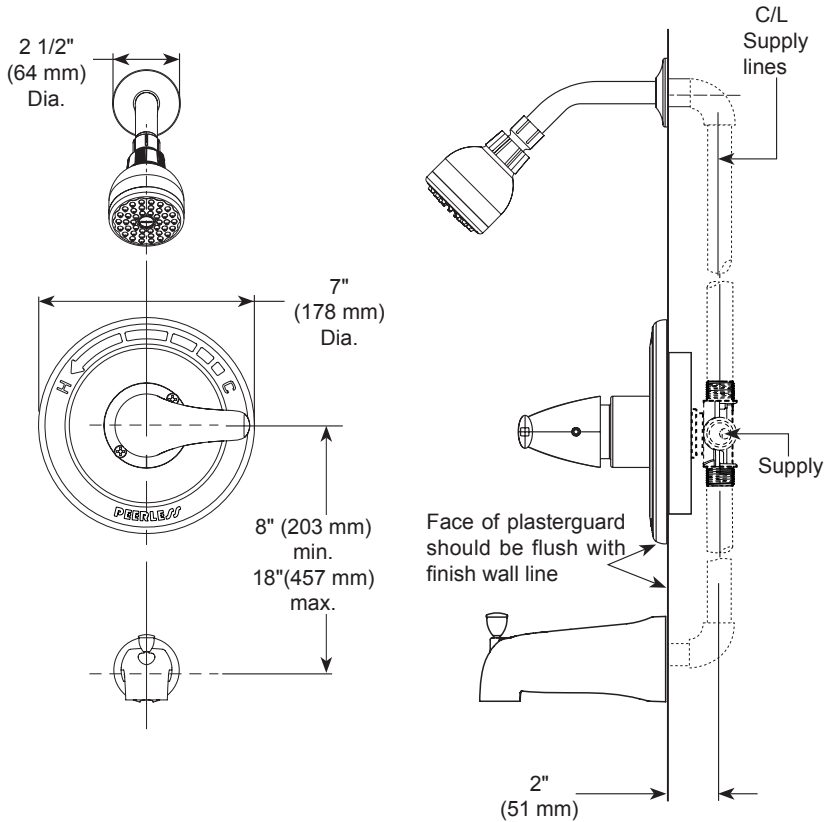


PEERLESS®

PTT188730-▲
PTT188740-▲
PTT188750-▲



TUB AND SHOWER FAUCET TRIM

- Valve Only (PTT188730-▲)
- Shower Only (PTT188740-▲)
- Tub/Shower (PTT188750-▲)

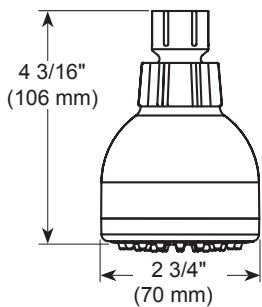
STANDARD SPECIFICATIONS:

- Shower head max flow rate is 1.5 gpm @ 80 psi, 5.7 L/min @ 550 kPa.
- Pressure balanced bath mixing valve.
- Tub/Shower. Requires 1 1/2" wall cavity.
- Back-to-back installation capability.
- Temperature control to rotate a maximum of 120° from full cold to the maximum temperature.
- Temperature only controlled with handle.
- Single-setting shower head with full body spray.
- For use with PTR188700 Series rough valve body; not included
- Slip-on tub spout.

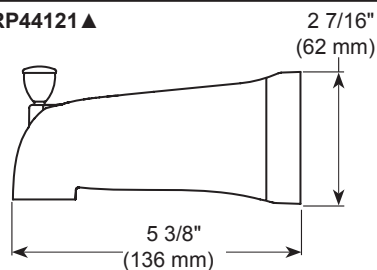
WARRANTY

- Parts and Finish – Lifetime limited warranty; or for commercial purchasers, 10 years for multi-family residential (apartments and condominiums) and 5 years for all other commercial uses, in each case from the date that the product is received by the original purchaser or their authorized representative (installation contractor, etc.).
- Please go to www.peerlessfaucet.com for the complete details of our limited warranty.

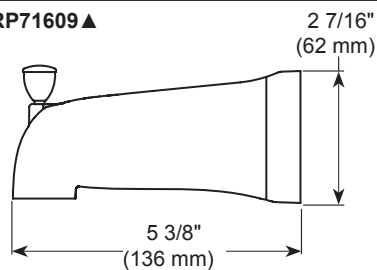
RP75572▲ 1.5 GPM



RP44121▲



RP71609▲



*1/2"-14 threaded tub spout with slip-on adapter included



COMPLIES WITH:

- ASME A112.18.1 / CSA B125.1
- ASSE 1016 / ASME A112.1016 / CSA B125.16
- EPA WaterSense® - Applies to PTT188740-▲ & PTT188750-▲ only
- ICC/ANSI A117.1 – Valve control only