



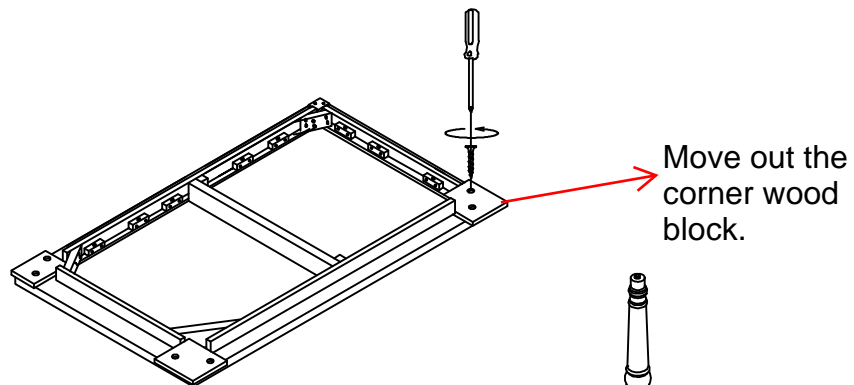


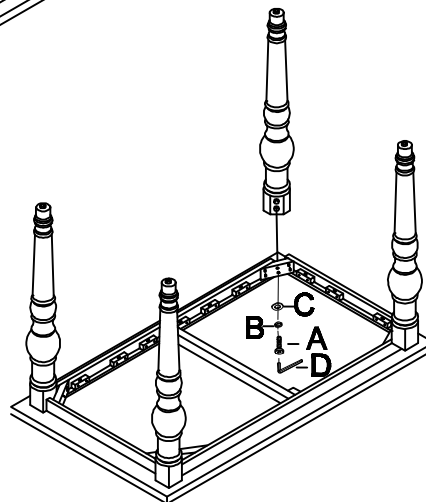
# ASSEMBLY INSTRUCTION

NO.	HARDWARE	Q'TY
A	Bolt $\varnothing 5/16'' \times 2-1/2''$ 	8 PCS
B	Loqr washer $\varnothing 5/16'' \times 13\text{mm}$ 	8 PCS
C	Flat washer $\varnothing 5/16'' \times 22\text{mm}$ 	8 PCS
D	Allen key 	1 PC

Step 1



Step 2



Step 3

