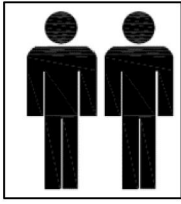
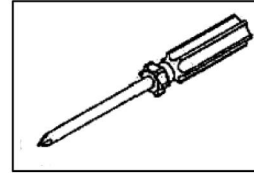


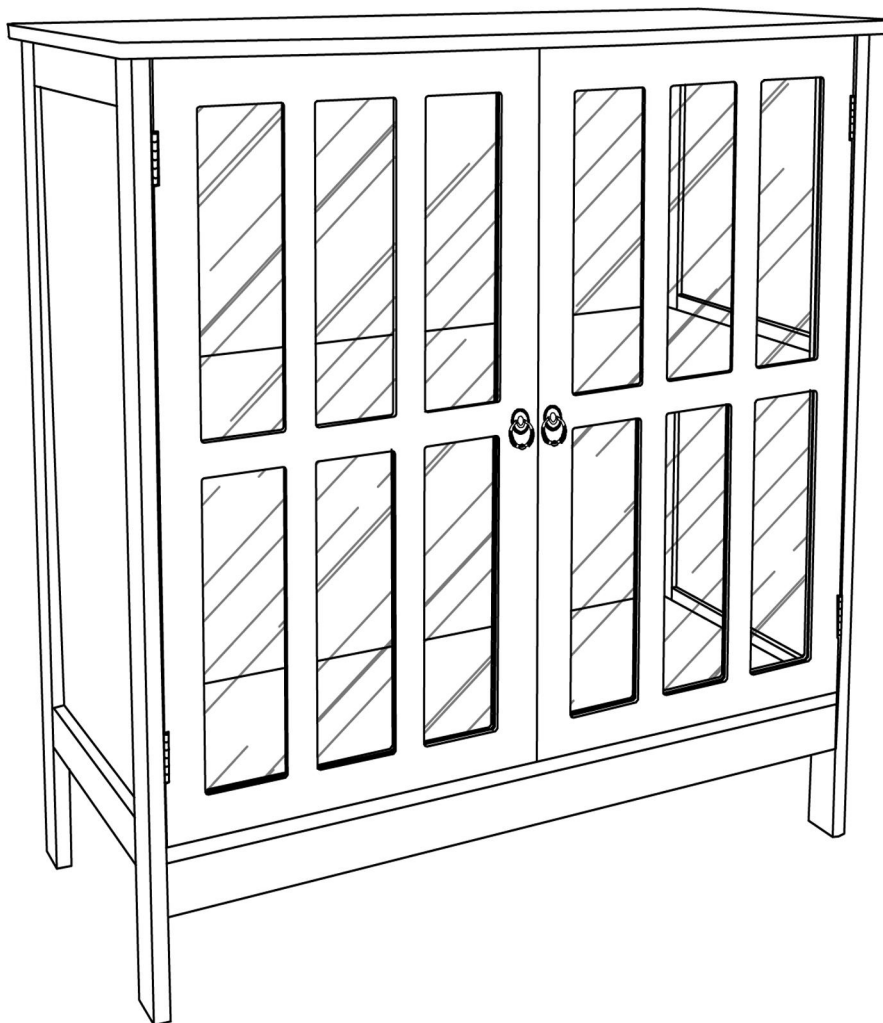
ASSEMBLY INSTRUCTION



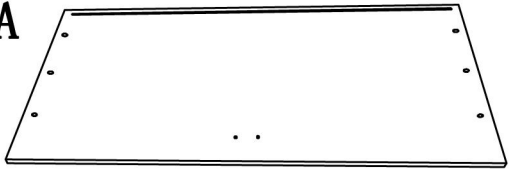
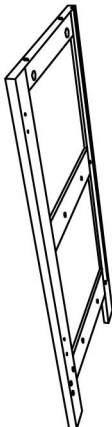
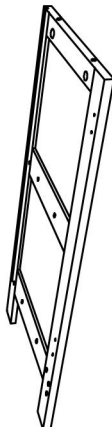
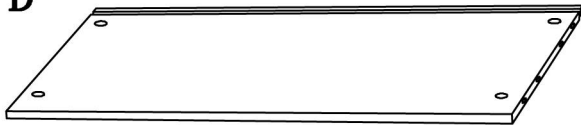


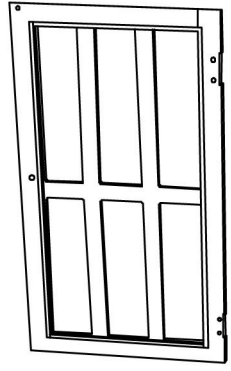
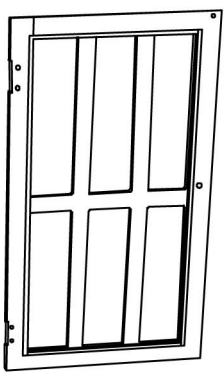

TWO PERSON ASSEMBLY

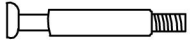



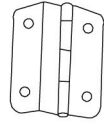



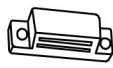
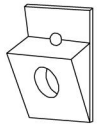



REQUIRED ASSEMBLY TOOLS
(NOT INCLUDED)

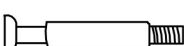




Parts list

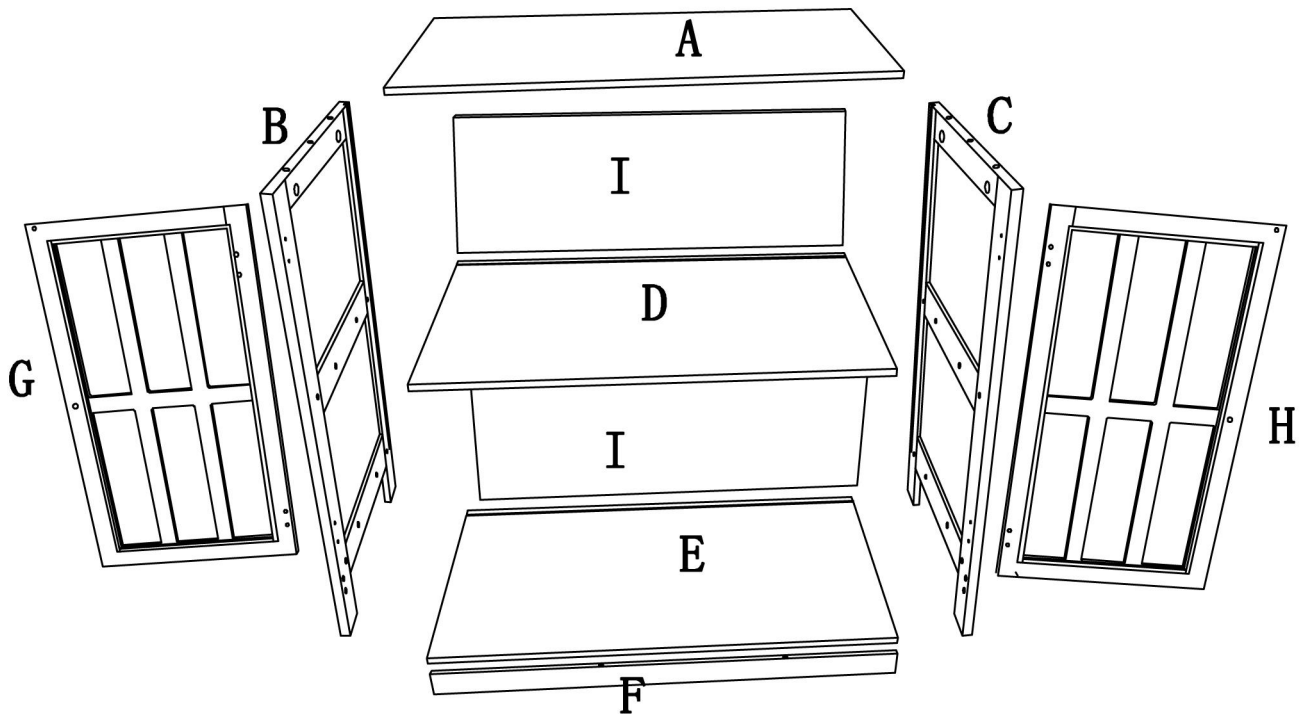
A  <div style="text-align: right;">x1</div>	B  <div style="text-align: right;">x1</div>	C  <div style="text-align: right;">x1</div>
D  <div style="text-align: right;">x1</div>		
E  <div style="text-align: right;">x1</div>	F  <div style="text-align: right;">x1</div>	
G  <div style="text-align: right;">x1</div>	H  <div style="text-align: right;">x1</div>	I  <div style="text-align: right;">x2</div>

a  <div style="text-align: center;">x16</div>	b  <div style="text-align: center;">x16</div>	c  <div style="text-align: center;">x12</div>	d 3x14mm  <div style="text-align: center;">x20</div>	e  <div style="text-align: center;">x4</div>	f 4x16mm  <div style="text-align: center;">x2</div>
g  <div style="text-align: center;">x2</div>	h  <div style="text-align: center;">x2</div>	i  <div style="text-align: center;">x1</div>	j  <div style="text-align: center;">x8</div>	k 3x16mm  <div style="text-align: center;">x8</div>	

Spare Parts

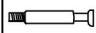


a  <div style="text-align: right;">x1</div>	b  <div style="text-align: right;">x1</div>	c  <div style="text-align: right;">x1</div>
---	---	--

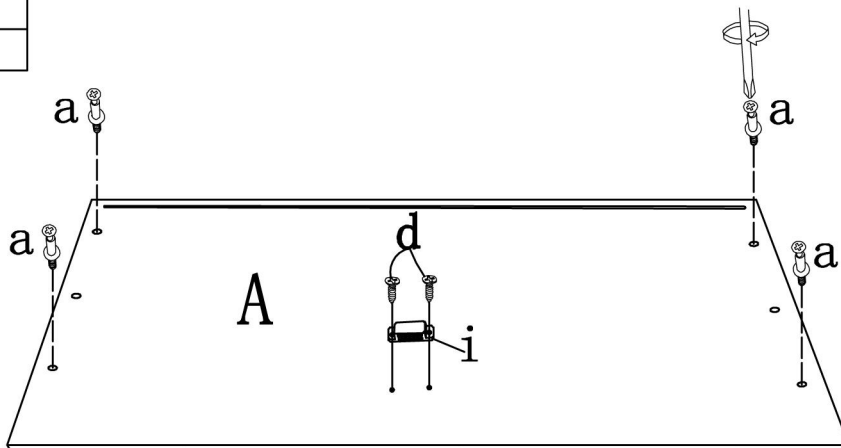
Overview



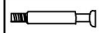

Assembly Steps

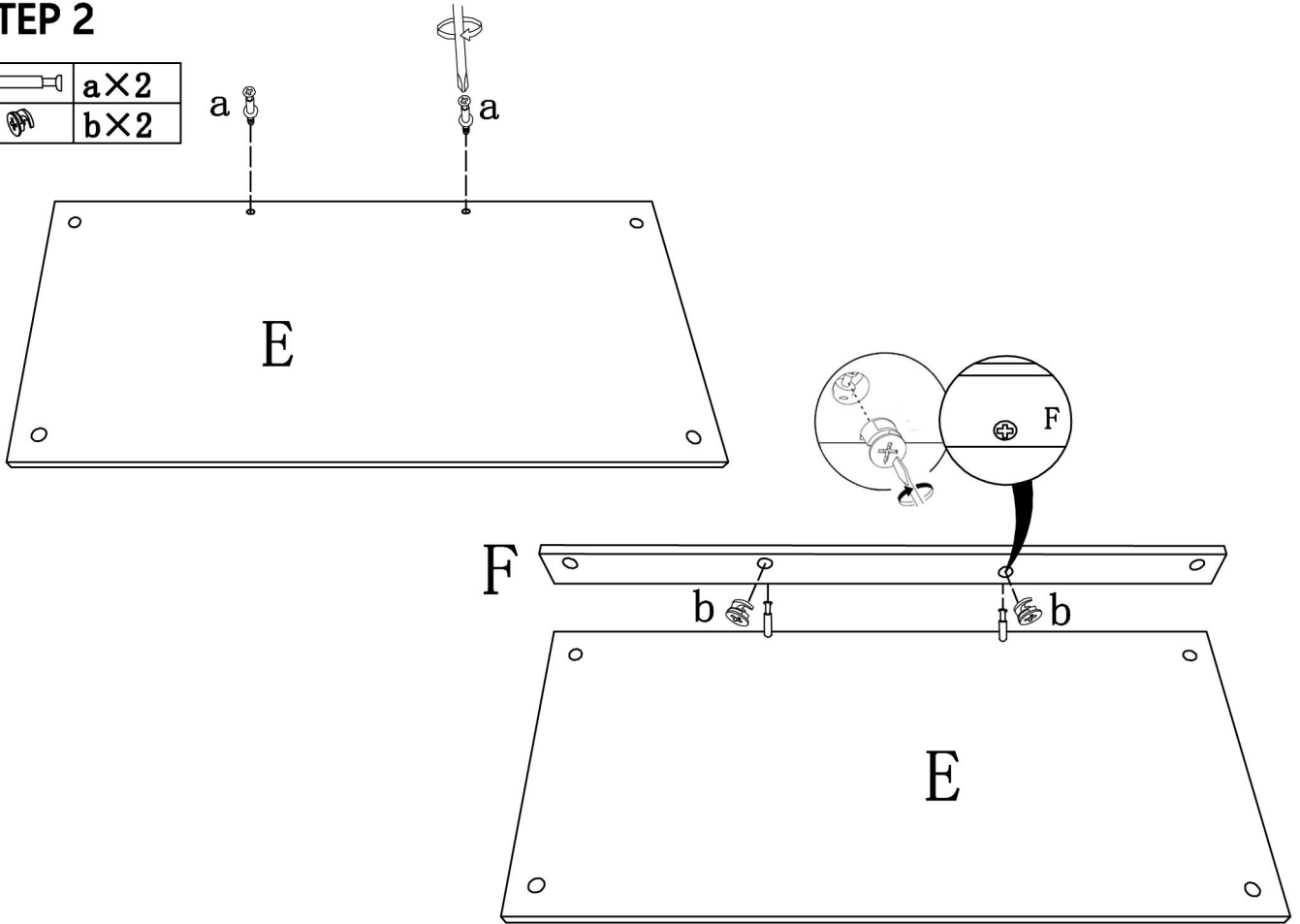
STEP 1

	a×4
	d×2
	i×1

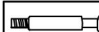



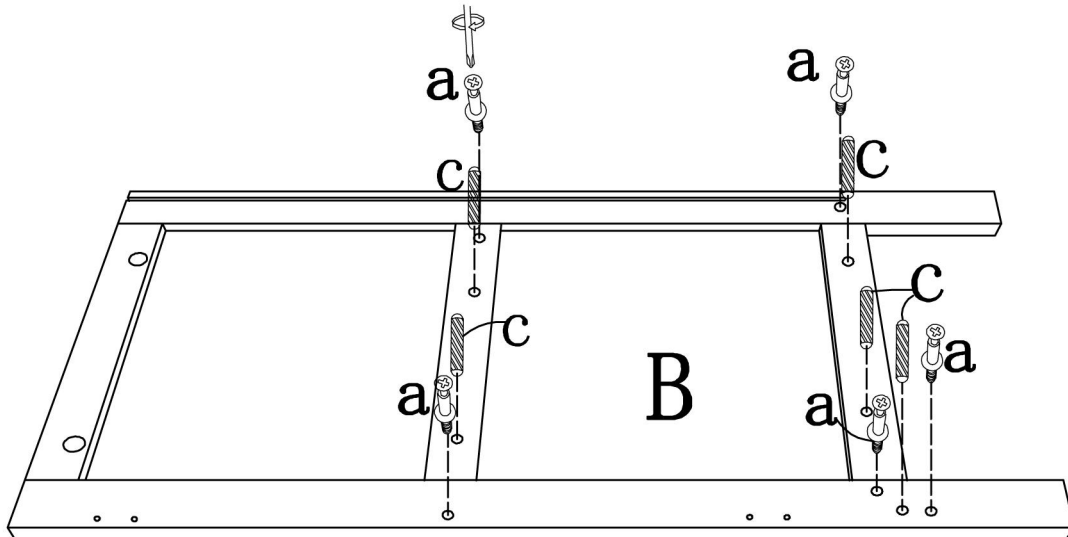
STEP 2

	a×2
	b×2




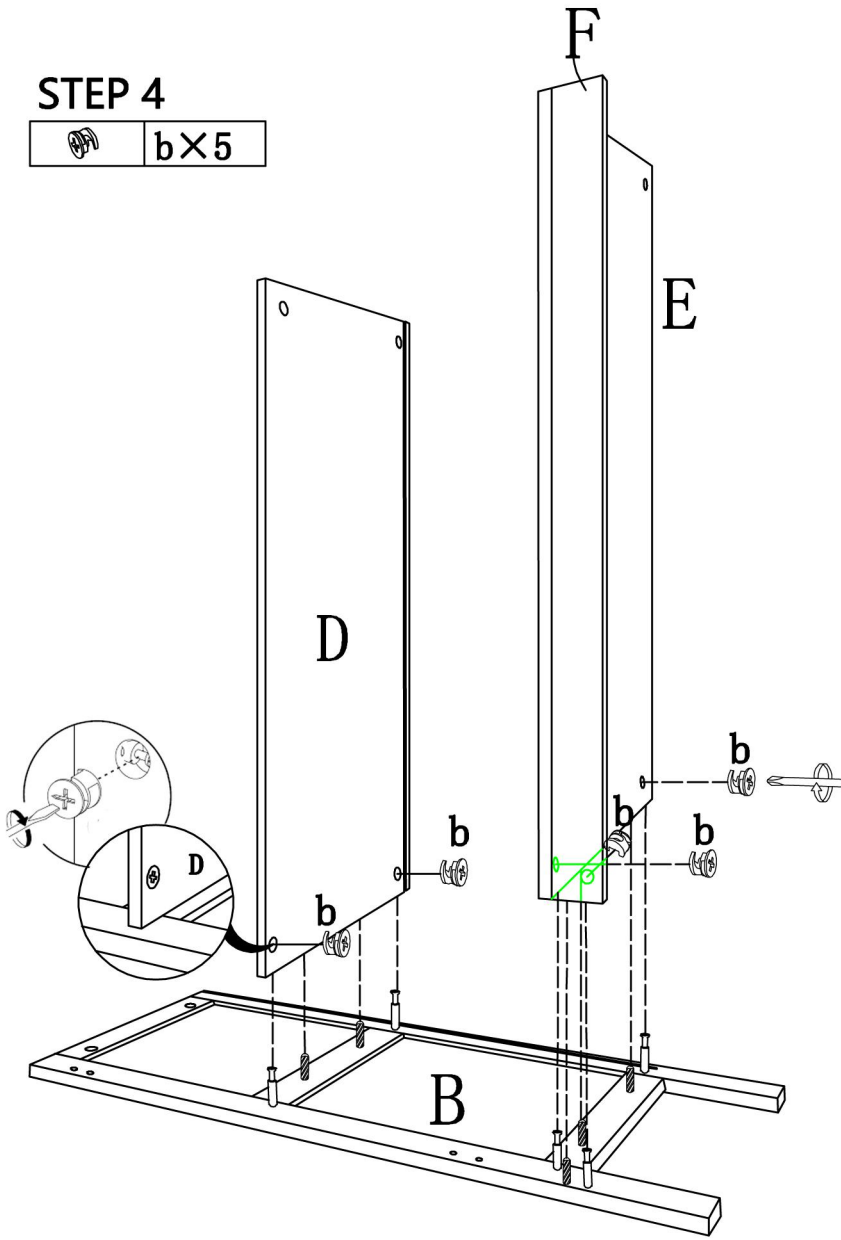
STEP 3

	a×5
	c×5

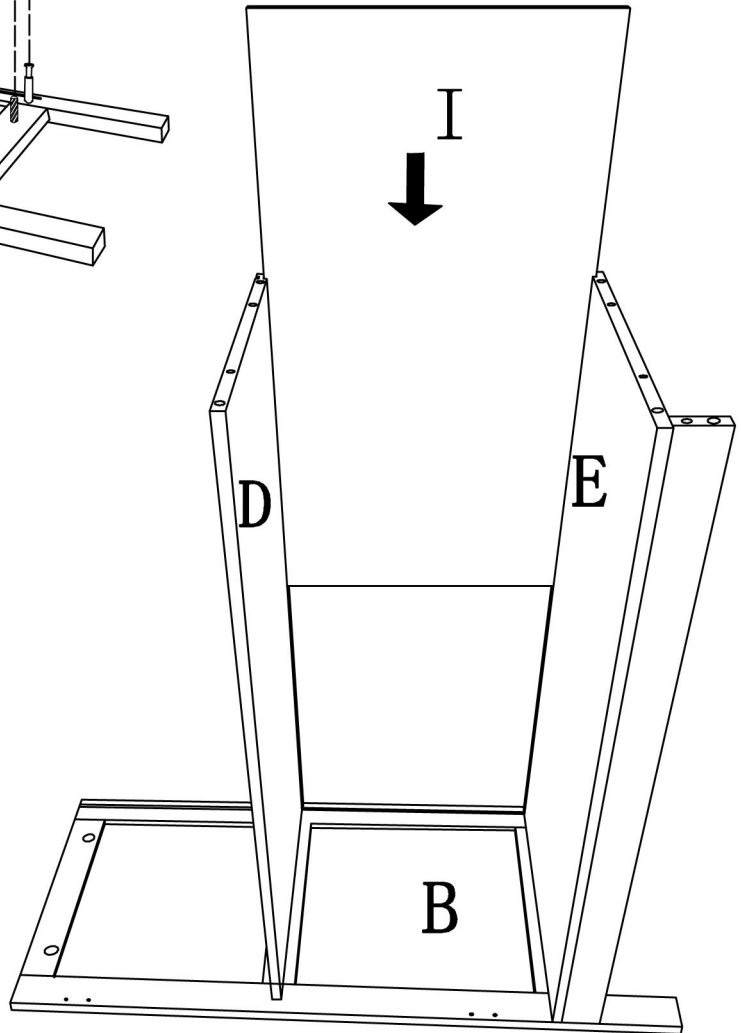


STEP 4

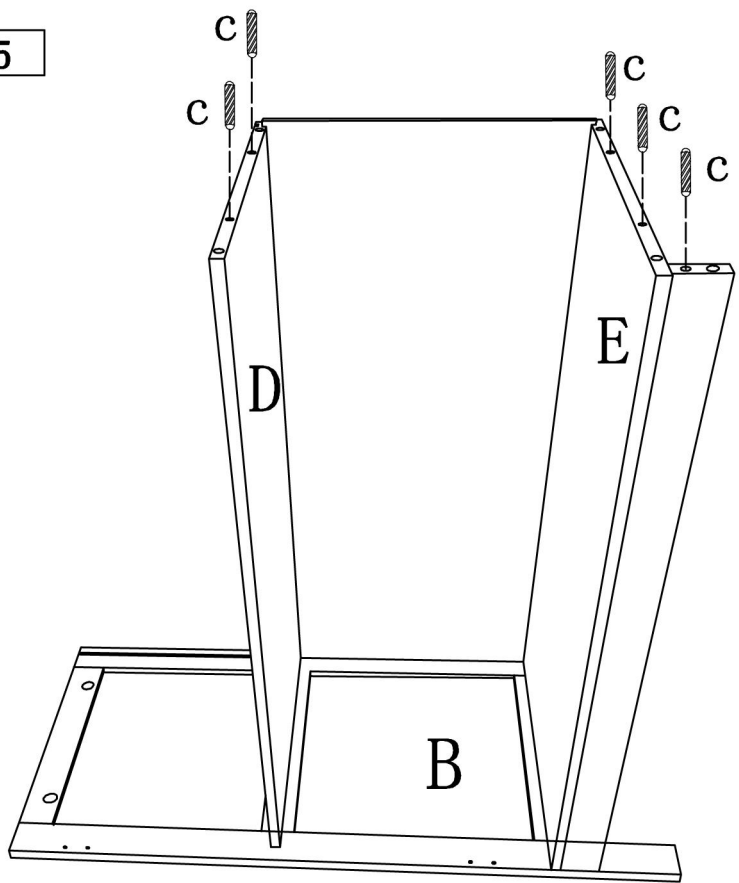
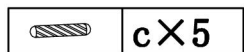
 bX5



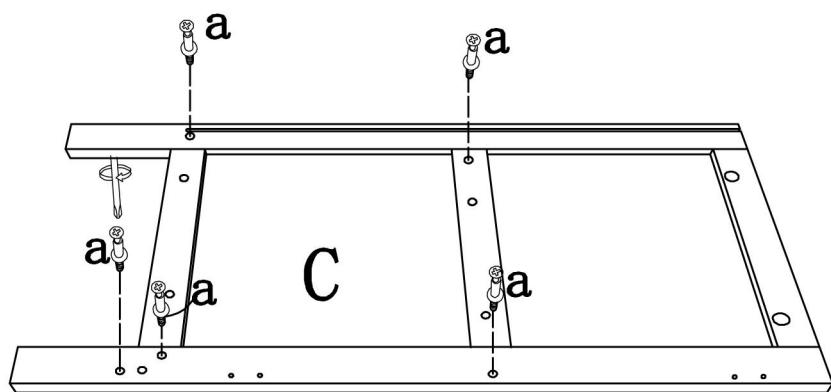
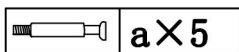
STEP 5




STEP 6

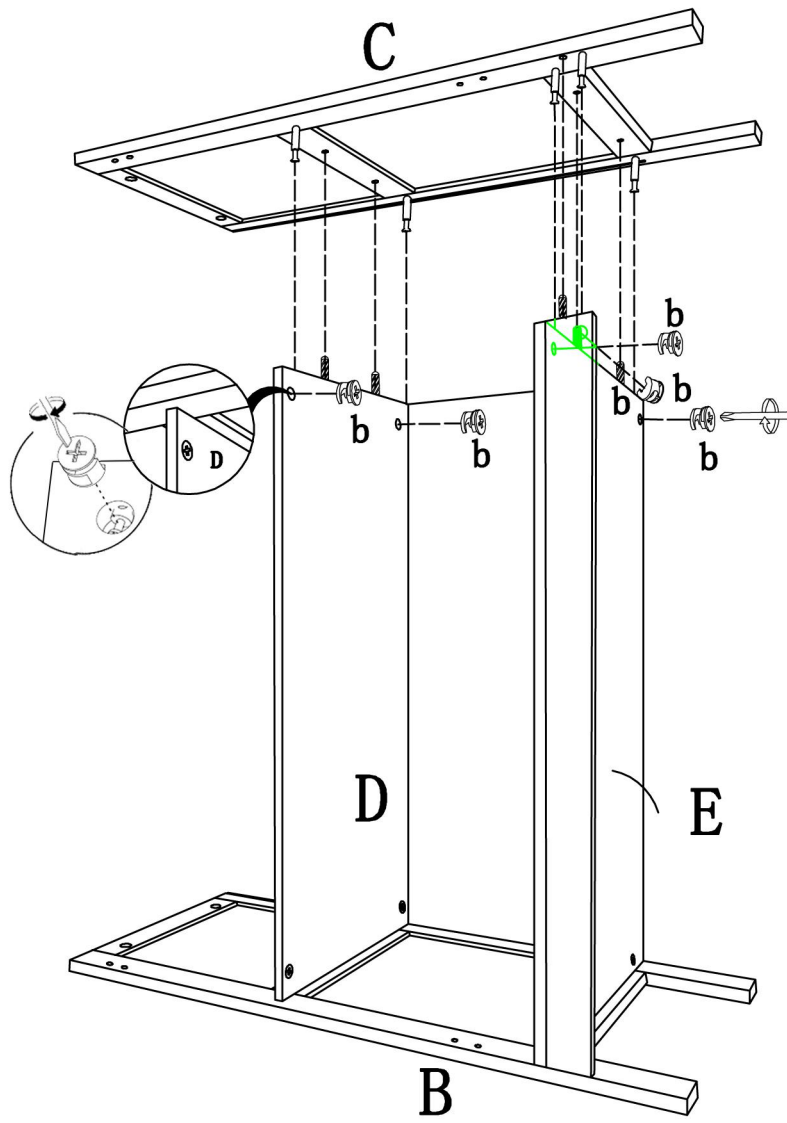


STEP 7

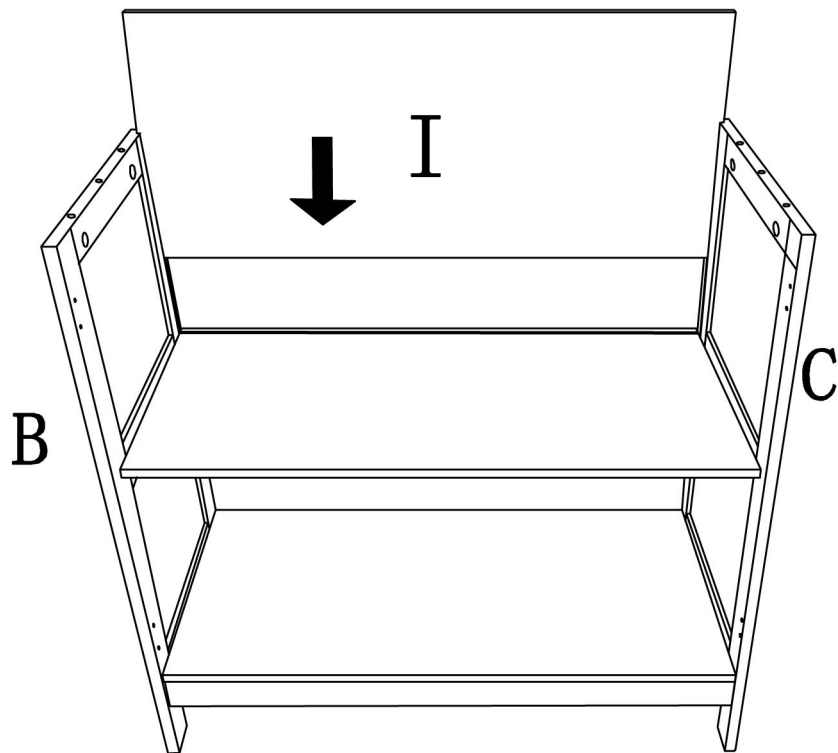


STEP 8


 b×5

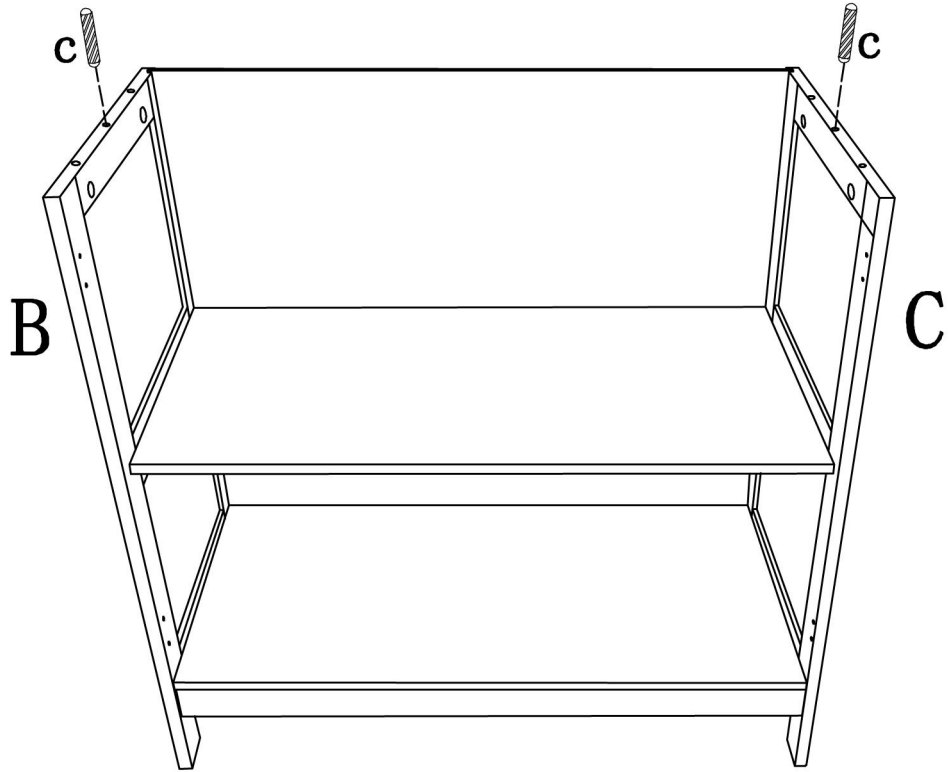


STEP 9




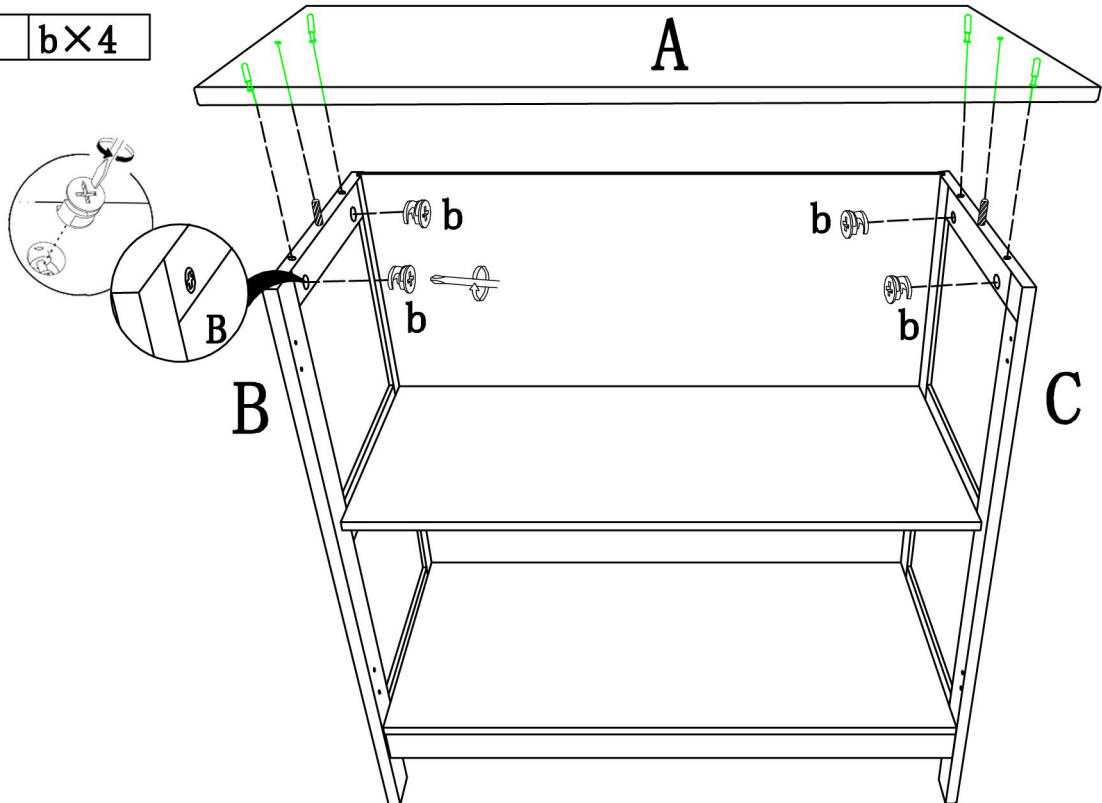
STEP 10

 cX2








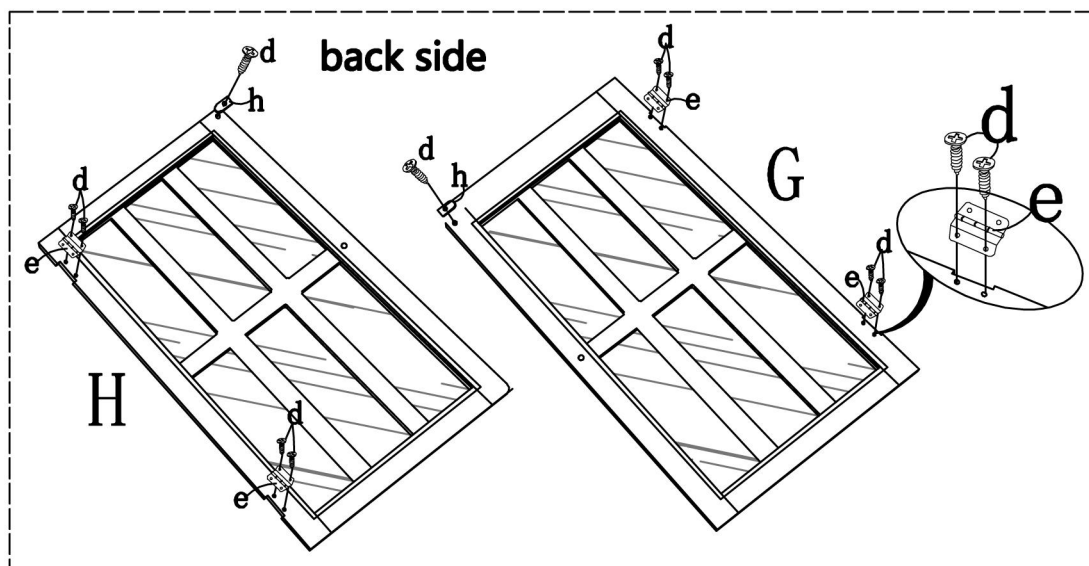
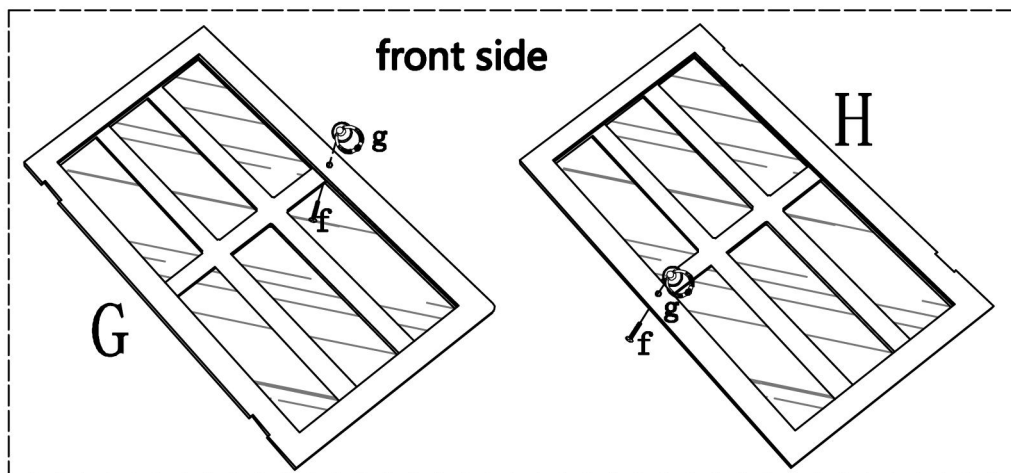
STEP 11

 bX4



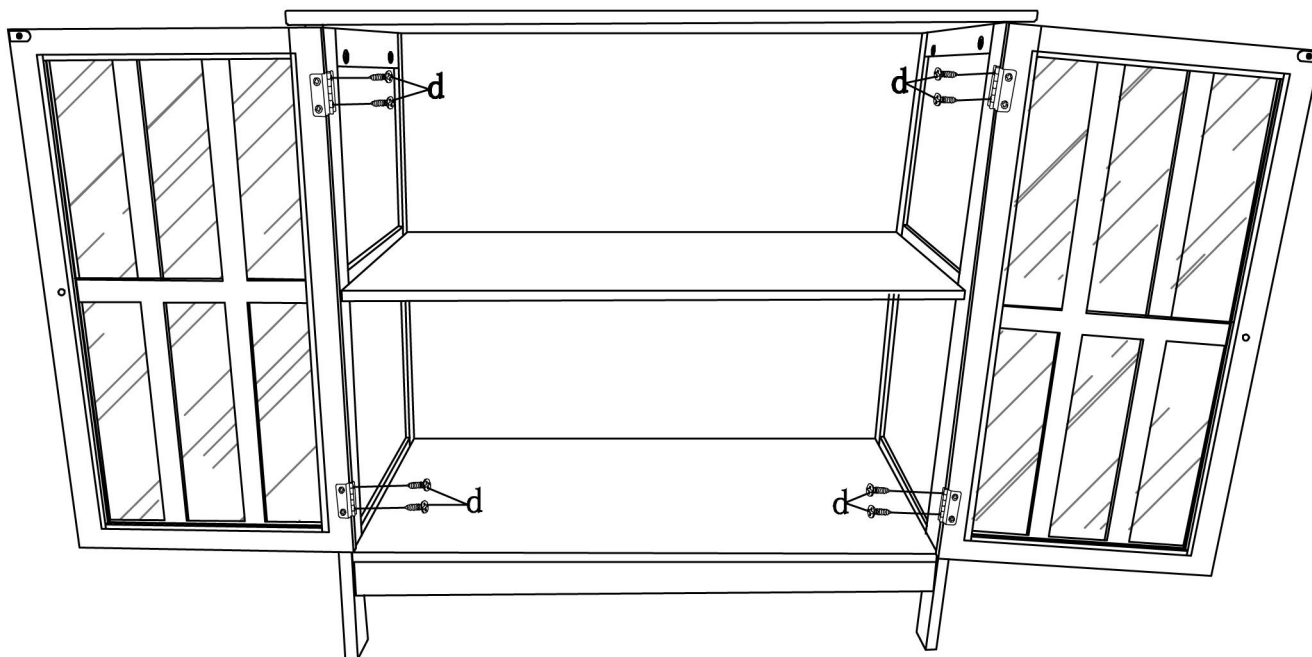
STEP 12

	d×10
	e×4
	f×2
	g×2
	h×2





STEP 13

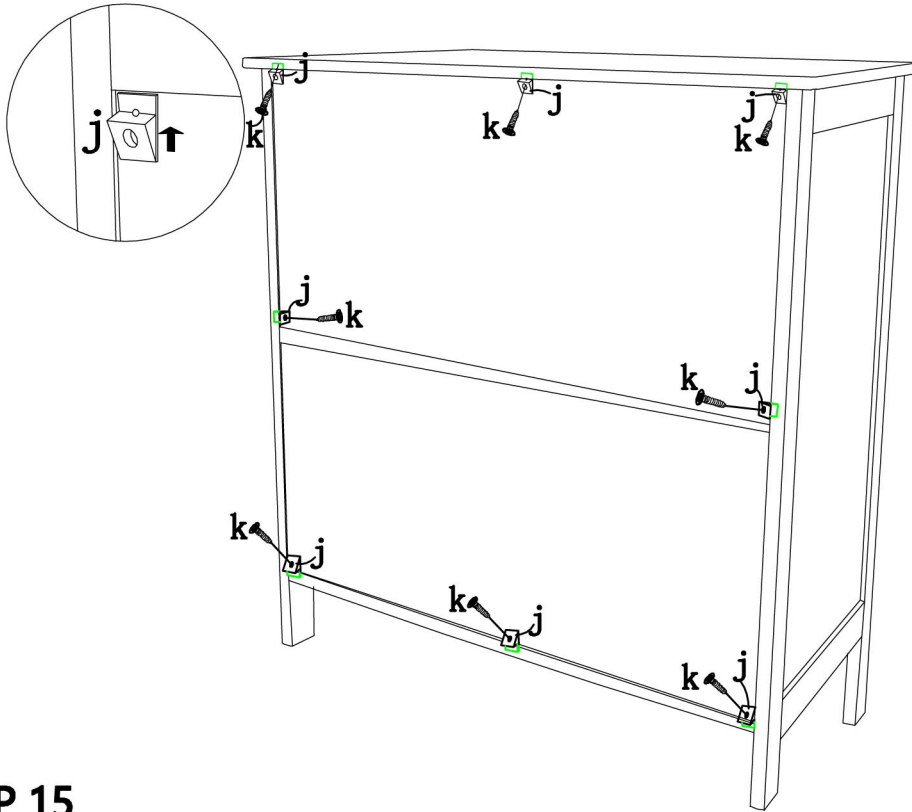
	d×8
---	-----



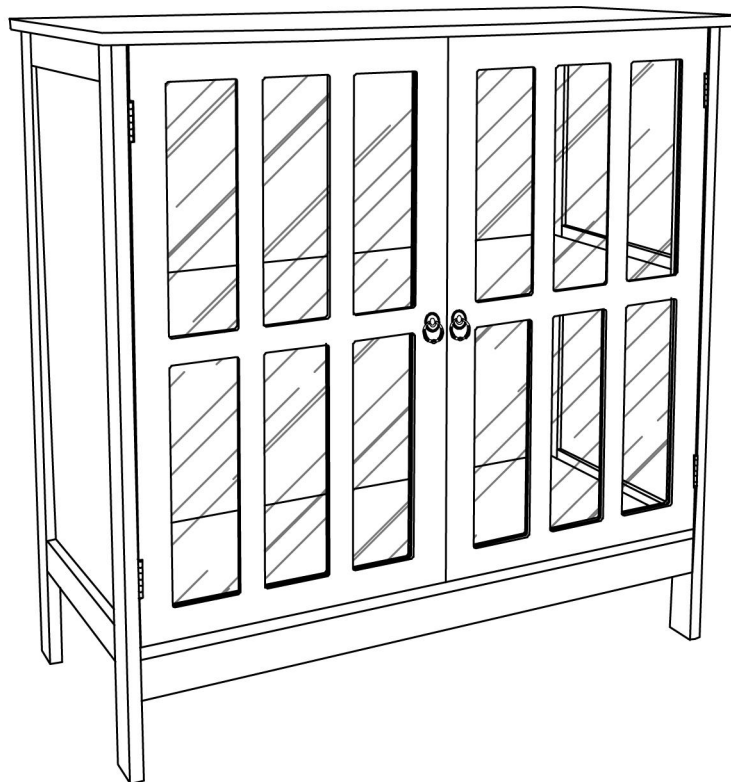
Tips: If you found a gap between left and right doors, please try to loosen the screws for hinges and adjust the door, do not over-tighten the screws.

STEP 14

	j×8
	k×8



STEP 15



Notice:If the cabinet wobbles,please check again all the cam locks and make sure they are all tightened.